

US00D508580S

(12) **United States Design Patent**  
Norris et al.

(10) **Patent No.:** **US D508,580 S**  
(45) **Date of Patent:** **\*\* Aug. 16, 2005**

(54) **SOLAR POWERED LIGHT CROSS**

(76) Inventors: **Tammy W. Norris**, 4631 Clubview Dr.,  
Bessemer, AL (US) 35022; **Shirley W. Friday**, 11584 Live Oak Dr.,  
Tuscaloosa, AL (US) 35405

(\*\*) **Term:** **14 Years**

(21) **Appl. No.:** **29/204,261**

(22) **Filed:** **Apr. 27, 2004**

(51) **LOC (8) Cl.** ..... **26-05**

(52) **U.S. Cl.** ..... **D26/67; D26/73; D99/27;**  
**D11/121**

(58) **Field of Search** ..... **D26/67-71, 73,**  
**D26/118; 362/153, 153.1, 249, 353, 360,**  
**431, 437, 806, 252, 121, 566; D99/27;**  
**D11/121**

(56) **References Cited**

**U.S. PATENT DOCUMENTS**

D1,570 S	*	4/1862	Martin	.....	D99/27
2,036,616 A	*	4/1936	Asch	.....	313/312
2,095,648 A	*	10/1937	Oftedahl	.....	362/311
2,114,194 A	*	4/1938	Sadacca	.....	362/362
D115,152 S	*	6/1939	Richardson	.....	D99/37
D317,054 S	*	5/1991	Olmstead	.....	D26/32

5,255,170 A	*	10/1993	Plamp et al.	.....	362/183
D368,869 S	*	4/1996	Pinchasov et al.	.....	D11/90
D370,282 S	*	5/1996	Grether	.....	D26/4
5,911,501 A	*	6/1999	Katz	.....	362/267
D443,970 S	*	6/2001	Stucker	.....	D99/27
6,364,503 B1	*	4/2002	Wenzel et al.	.....	362/186
6,586,882 B1	*	7/2003	Harbers	.....	313/634

\* cited by examiner

*Primary Examiner*—Clare E Heflin

(74) *Attorney, Agent, or Firm*—Kenneth M. Bush; Bush IP Law Group, LLC

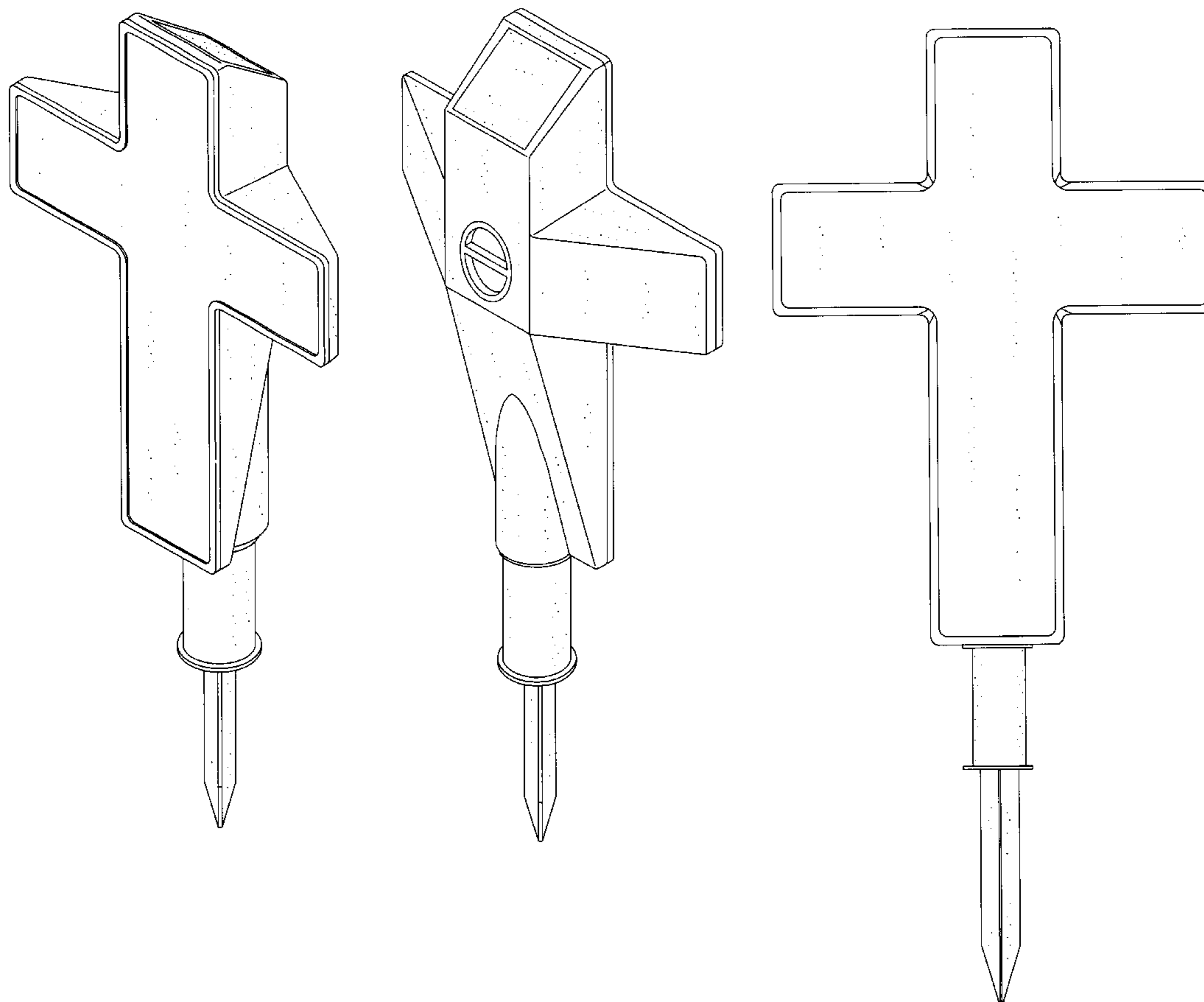
(57) **CLAIM**

The ornamental design for a solar powered light cross, as shown and described.

**DESCRIPTION**

FIG. 1 is a front perspective view of a solar powered light cross, showing our new design;  
FIG. 2 is a rear perspective view thereof;  
FIG. 3 is a front elevational view thereof;  
FIG. 4 is a rear elevational view thereof;  
FIG. 5 is a left side elevational view thereof, the right side (not shown) being a mirror image of the left side;  
FIG. 6 is a top plan view thereof; and,  
FIG. 7 is a bottom plan view thereof.

**1 Claim, 6 Drawing Sheets**



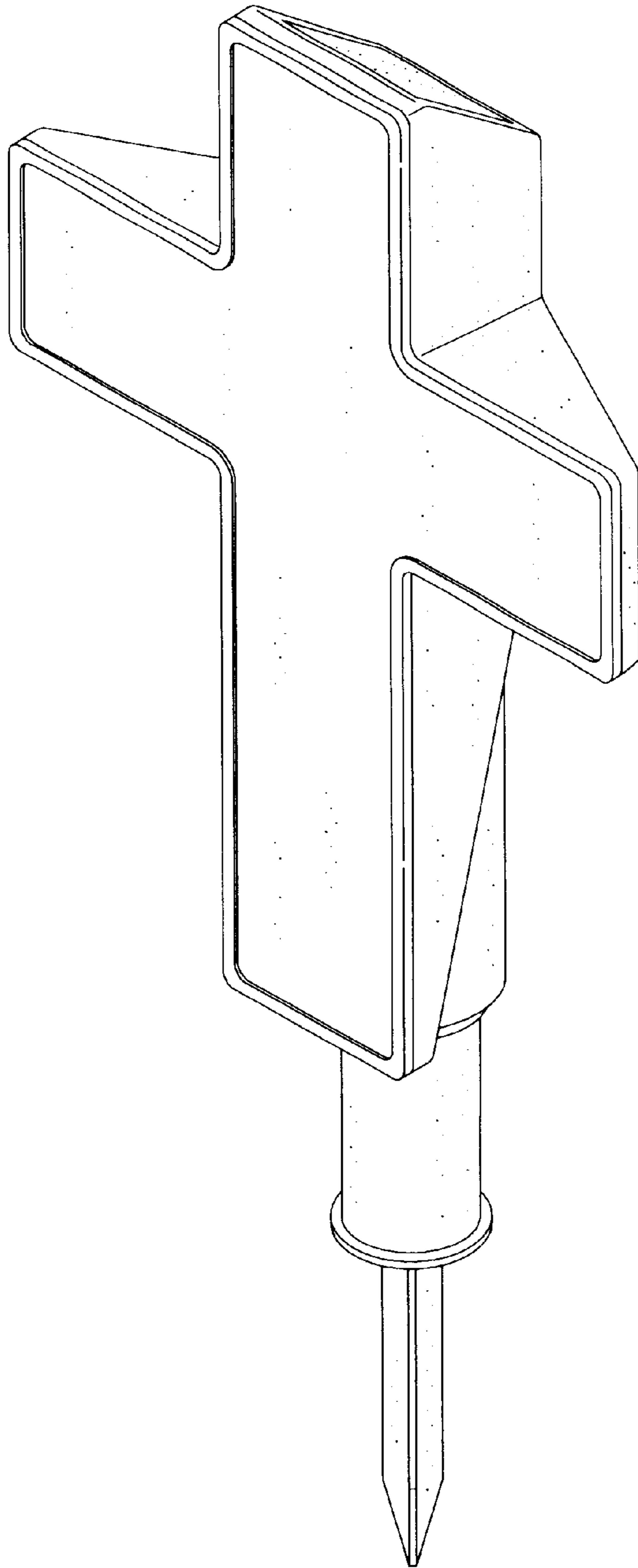


FIG. 1

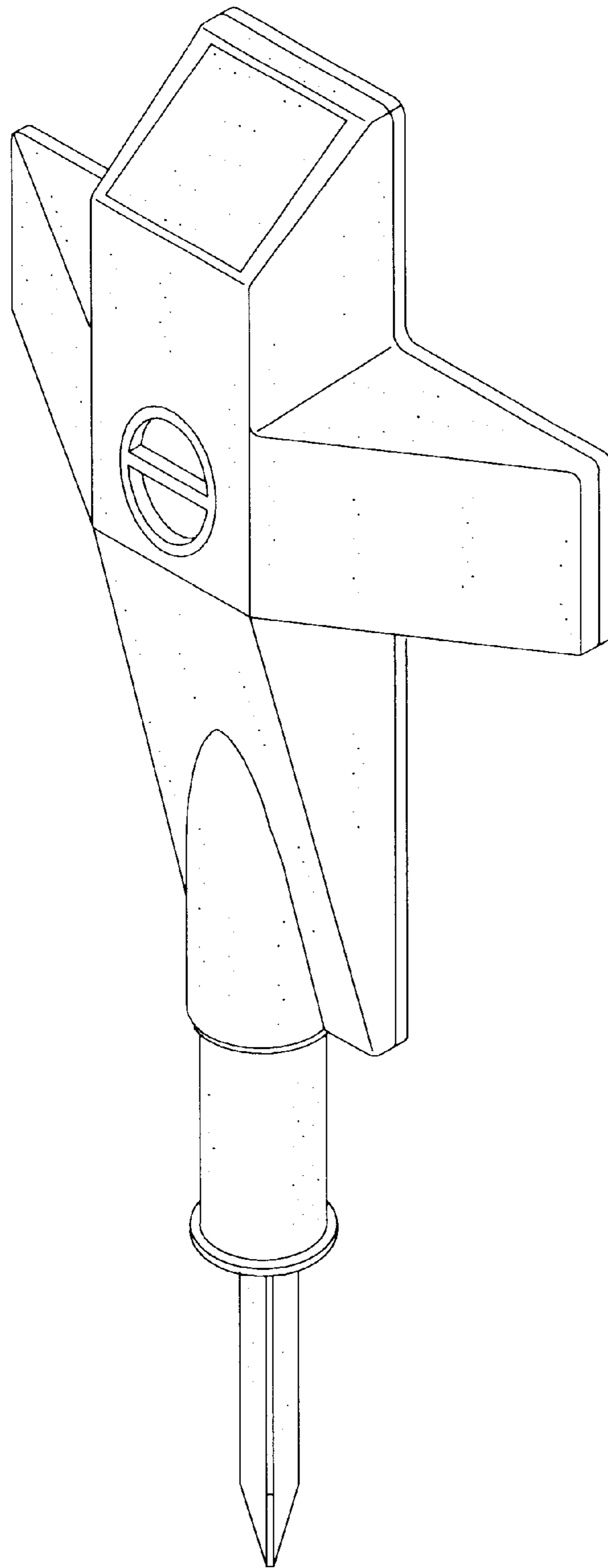


FIG. 2

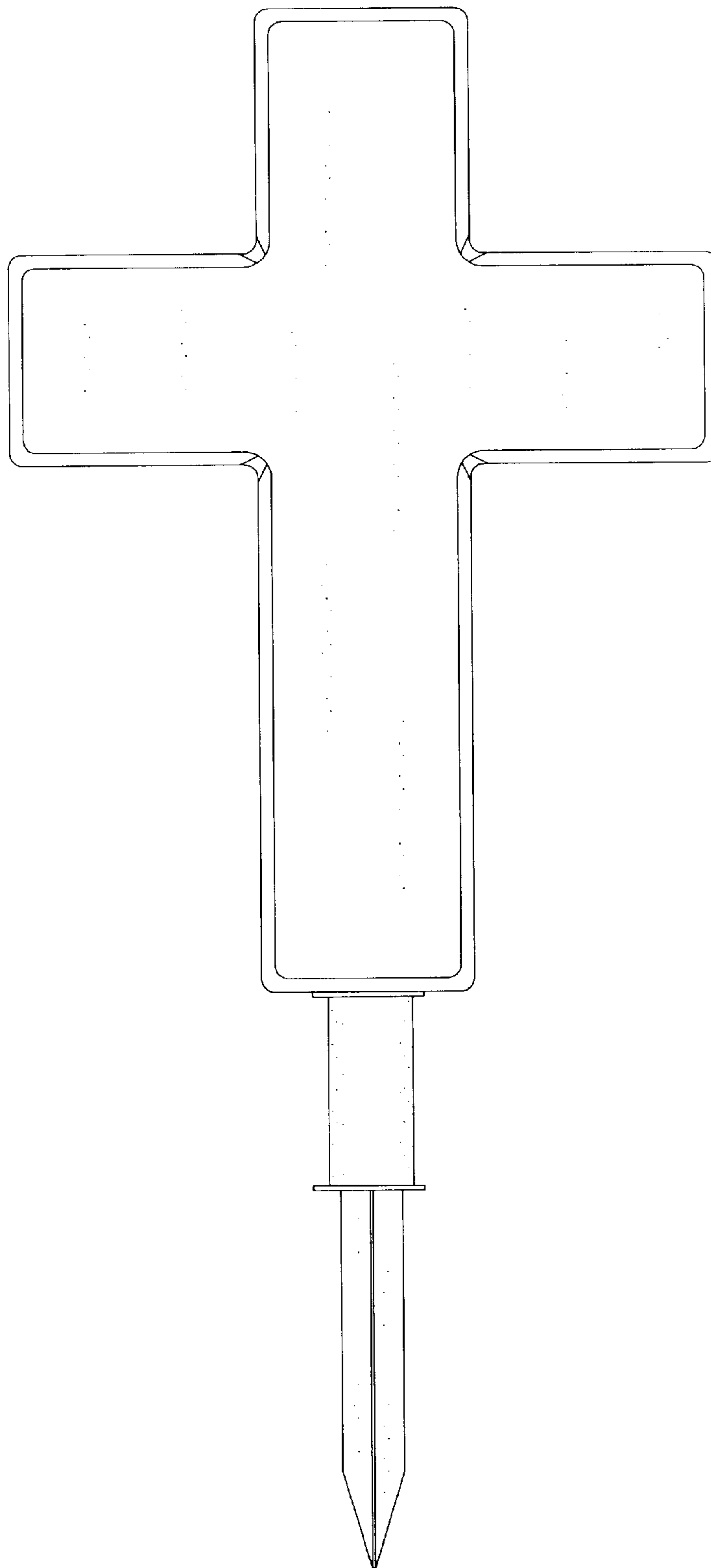


FIG. 3

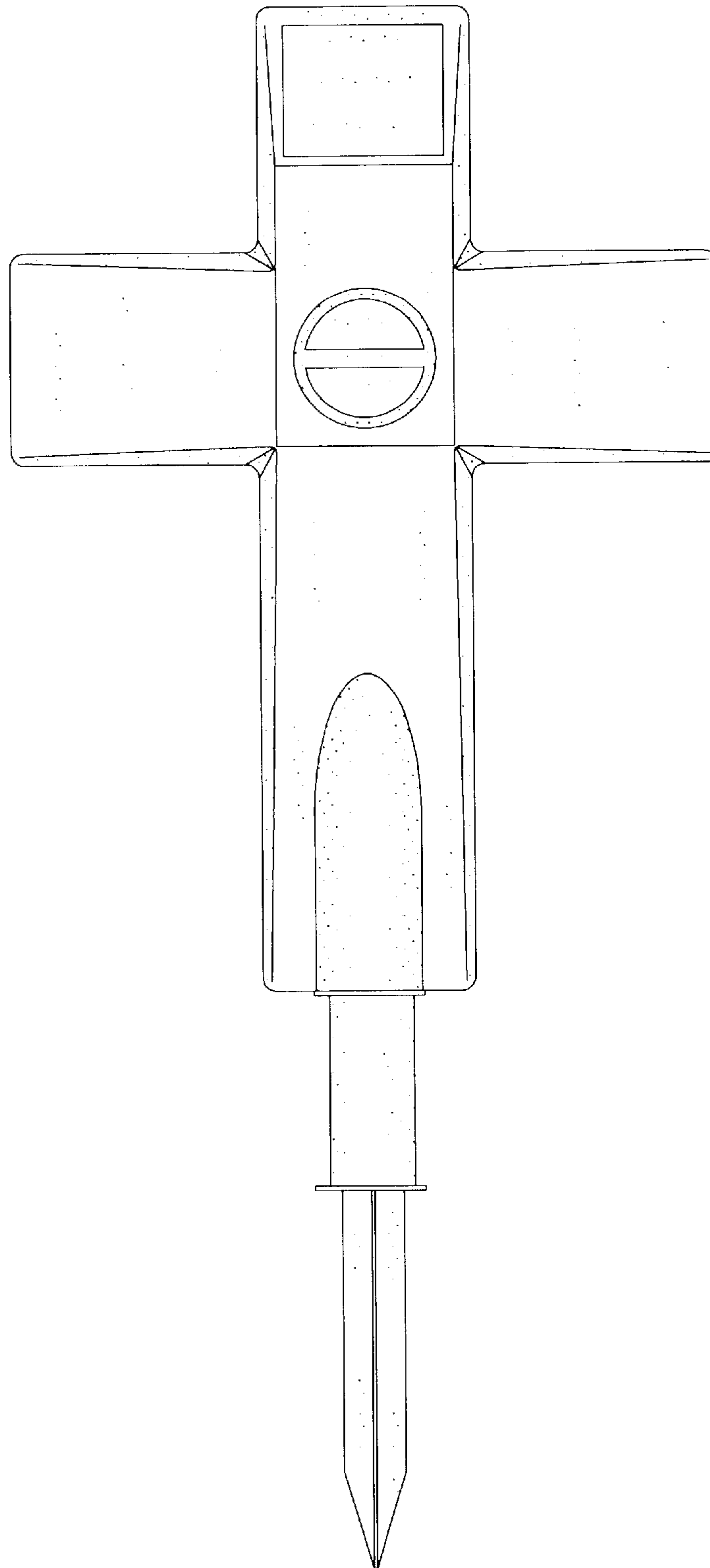


FIG. 4

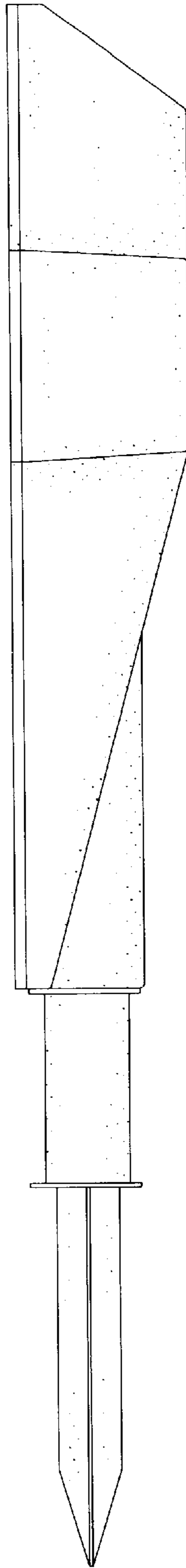


FIG. 5

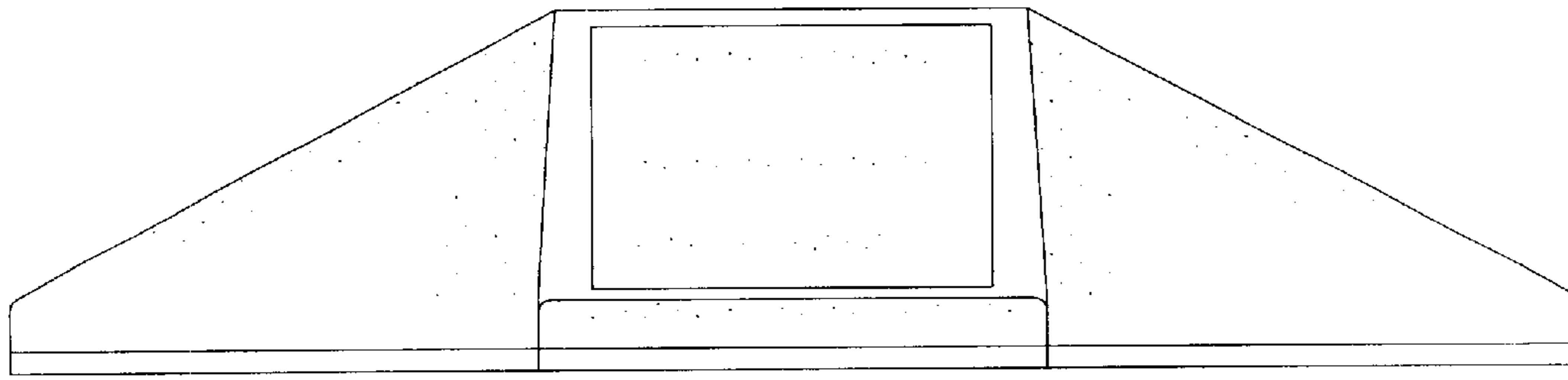


FIG. 6

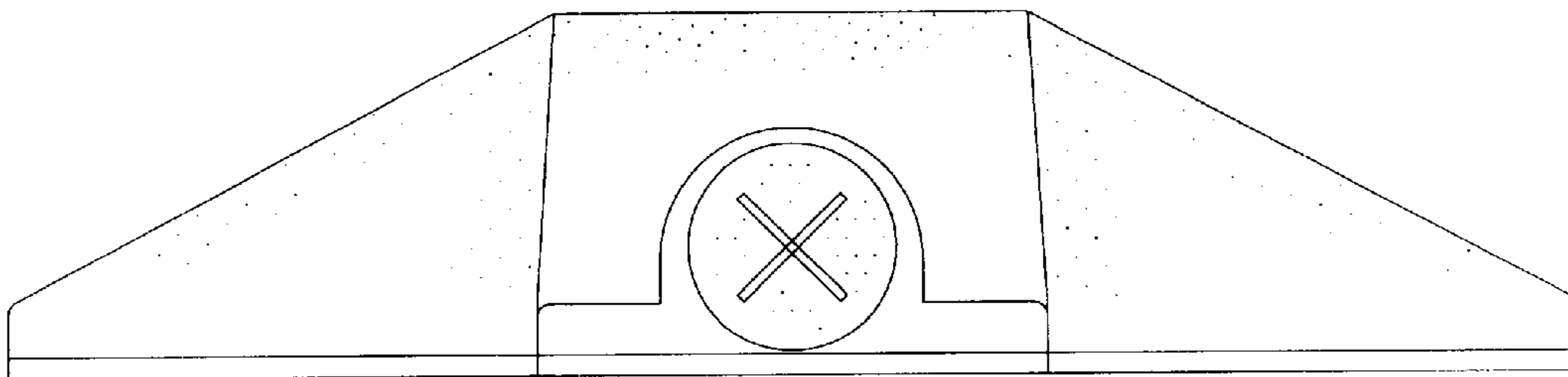


FIG. 7