



US00D508578S

(12) **United States Design Patent**  
**Shen**

(10) **Patent No.:** **US D508,578 S**

(45) **Date of Patent:** **\*\* Aug. 16, 2005**

(54) **SPOTLIGHT**

D480,166 S \* 9/2003 Cheung ..... D26/45  
D491,303 S \* 6/2004 Shen ..... D26/45

(76) Inventor: **Jianli Shen**, Guangming North Road,  
Simen Town, Yuyao City, Zhejiang  
Province (CN), 315470

\* cited by examiner

*Primary Examiner*—Marcus A. Jackson  
(74) *Attorney, Agent, or Firm*—Lumen Intellectual  
Property Services, Inc.

(\*\*) Term: **14 Years**

(21) Appl. No.: **29/197,597**

(57) **CLAIM**

(22) Filed: **Jan. 15, 2004**

The ornamental design for a spotlight, as shown and  
described.

(30) **Foreign Application Priority Data**

Oct. 21, 2003 (CN) ..... 200330107358

**DESCRIPTION**

(51) **LOC (8) Cl.** ..... **26-02**

FIG. 1 is a perspective view from the front-right-top side of  
the spotlight showing my new design.

(52) **U.S. Cl.** ..... **D26/45**

FIG. 2 is a front view of the design shown in FIG. 1.

(58) **Field of Search** ..... D26/37-50; 362/157,  
362/158, 171-174, 183-208

FIG. 3 is a rear view of the design shown in FIG. 1.

FIG. 4 is a right side view of the design shown in FIG. 1.

FIG. 5 is a left side view of the design shown in FIG. 1.

FIG. 6 is a top view of the design shown in FIG. 1.

FIG. 7 is a bottom view of the design shown in FIG. 1; and,

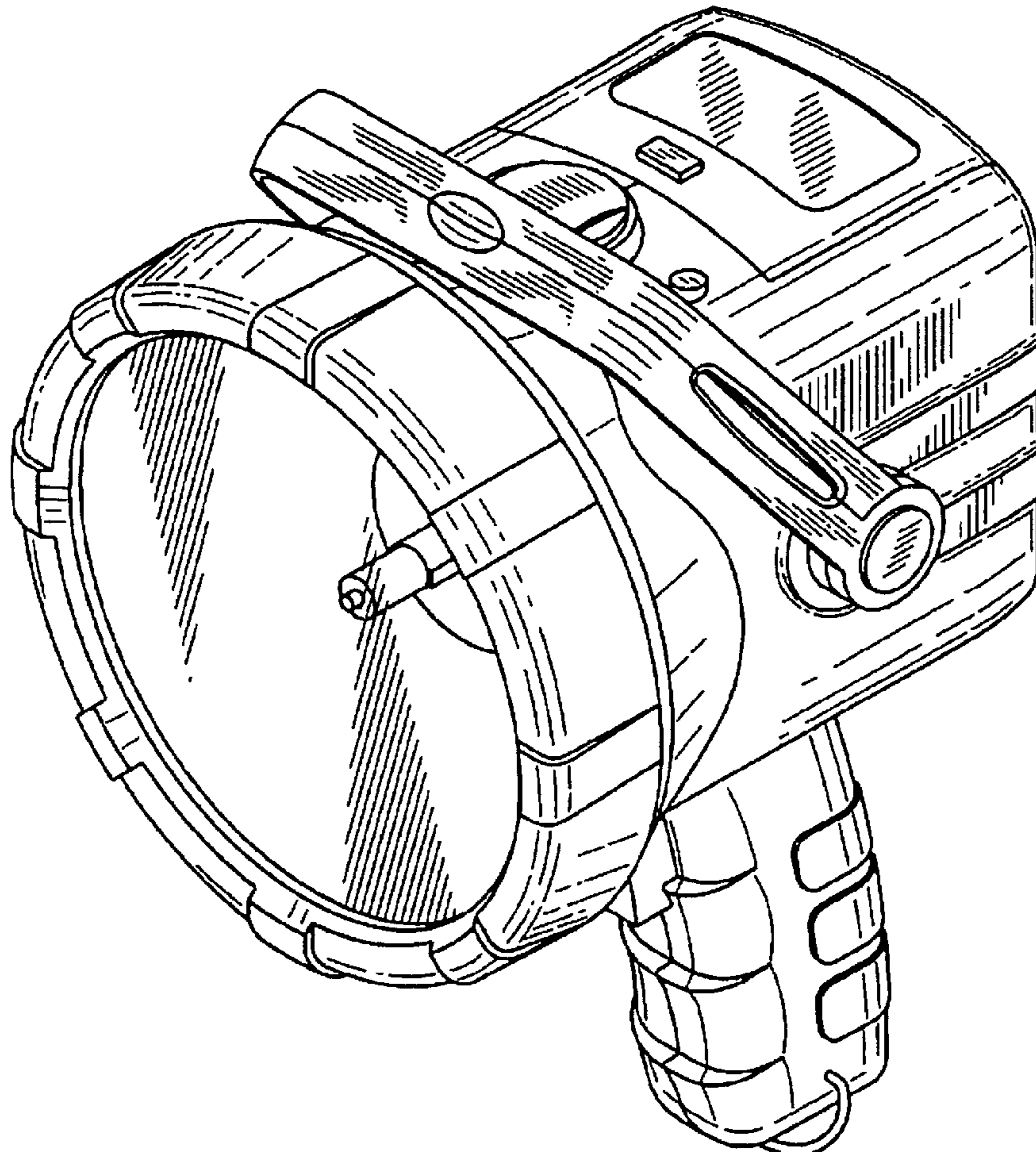
FIG. 8 is a perspective view from the front-left-bottom side  
of the design shown in FIG. 1, the stand being open for  
purposes of disclosure.

(56) **References Cited**

**U.S. PATENT DOCUMENTS**

D429,013 S \* 8/2000 Poon ..... D26/45  
D431,662 S \* 10/2000 Krieger ..... D26/45  
D441,474 S \* 5/2001 Poon ..... D26/45  
D466,637 S \* 12/2002 Gisser ..... D26/45

**1 Claim, 8 Drawing Sheets**



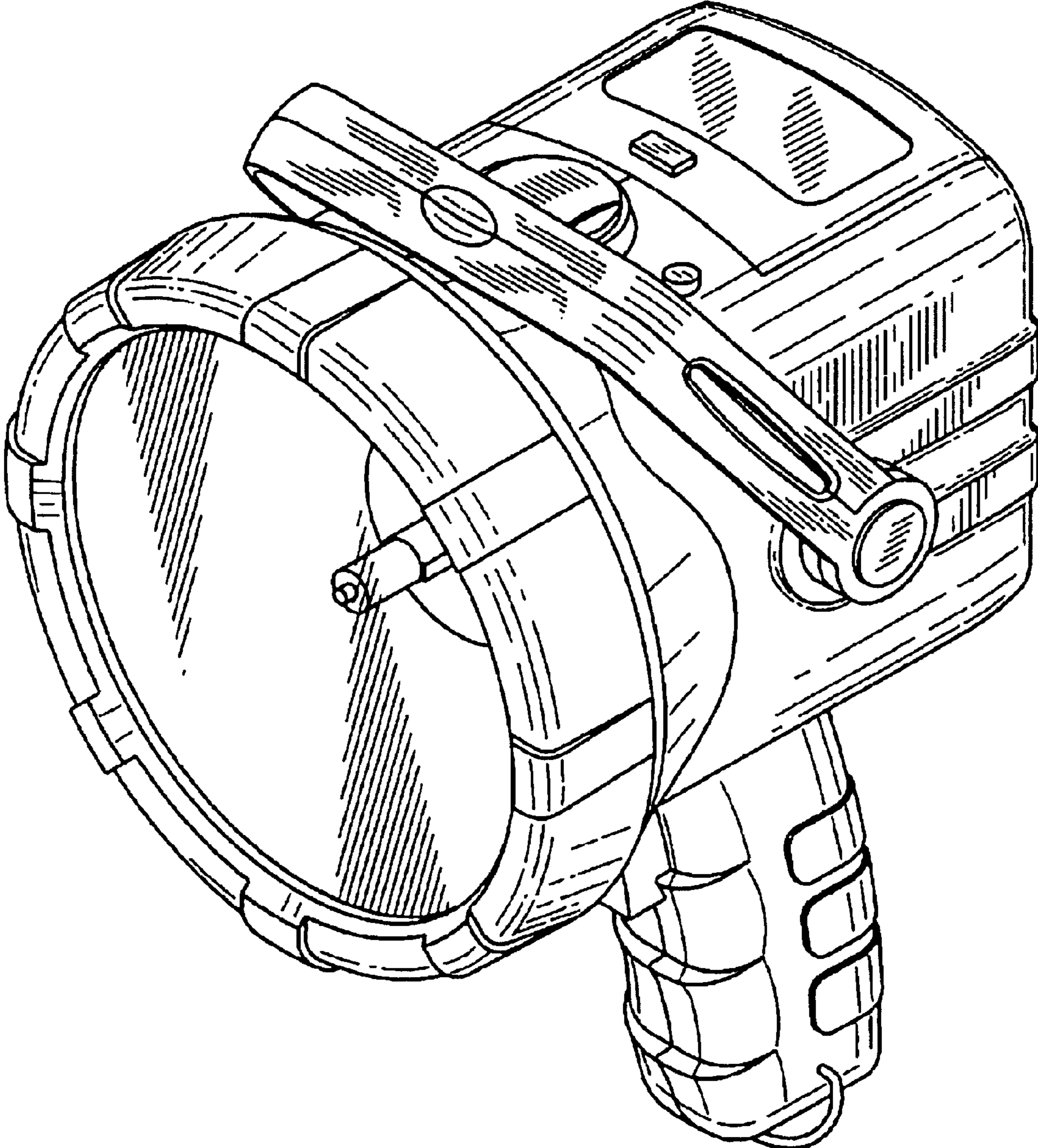


FIG. 1

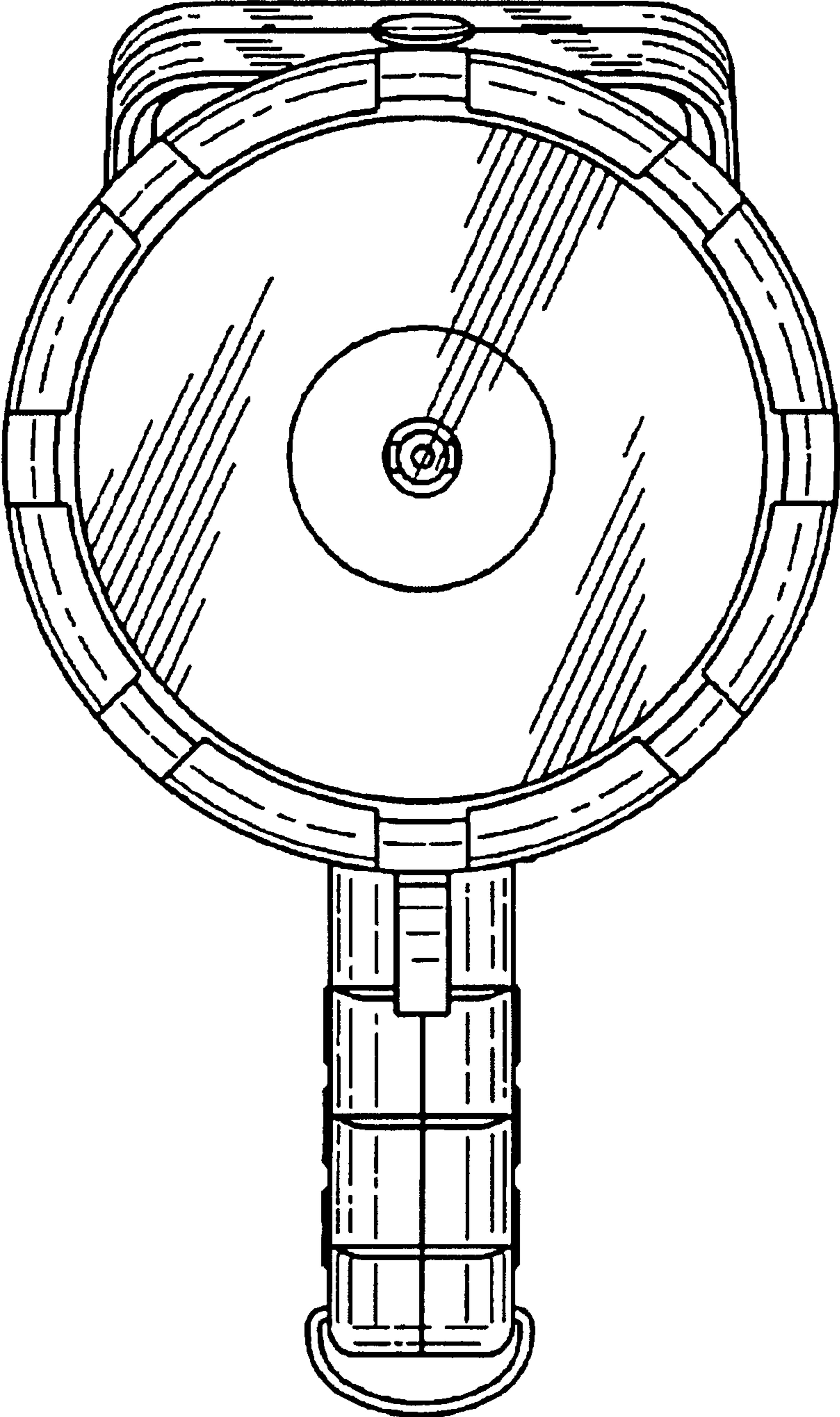


FIG. 2

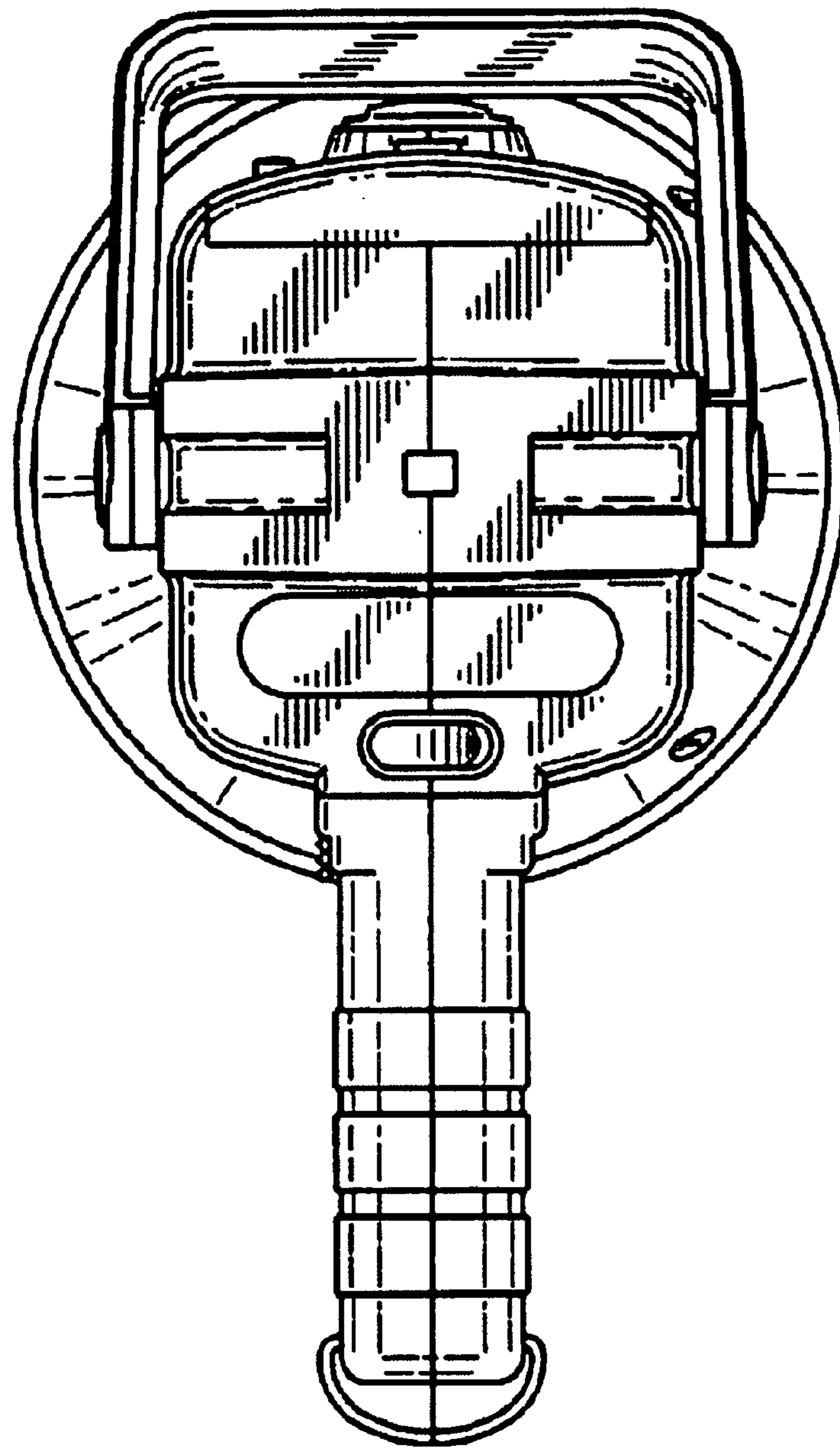


FIG. 3

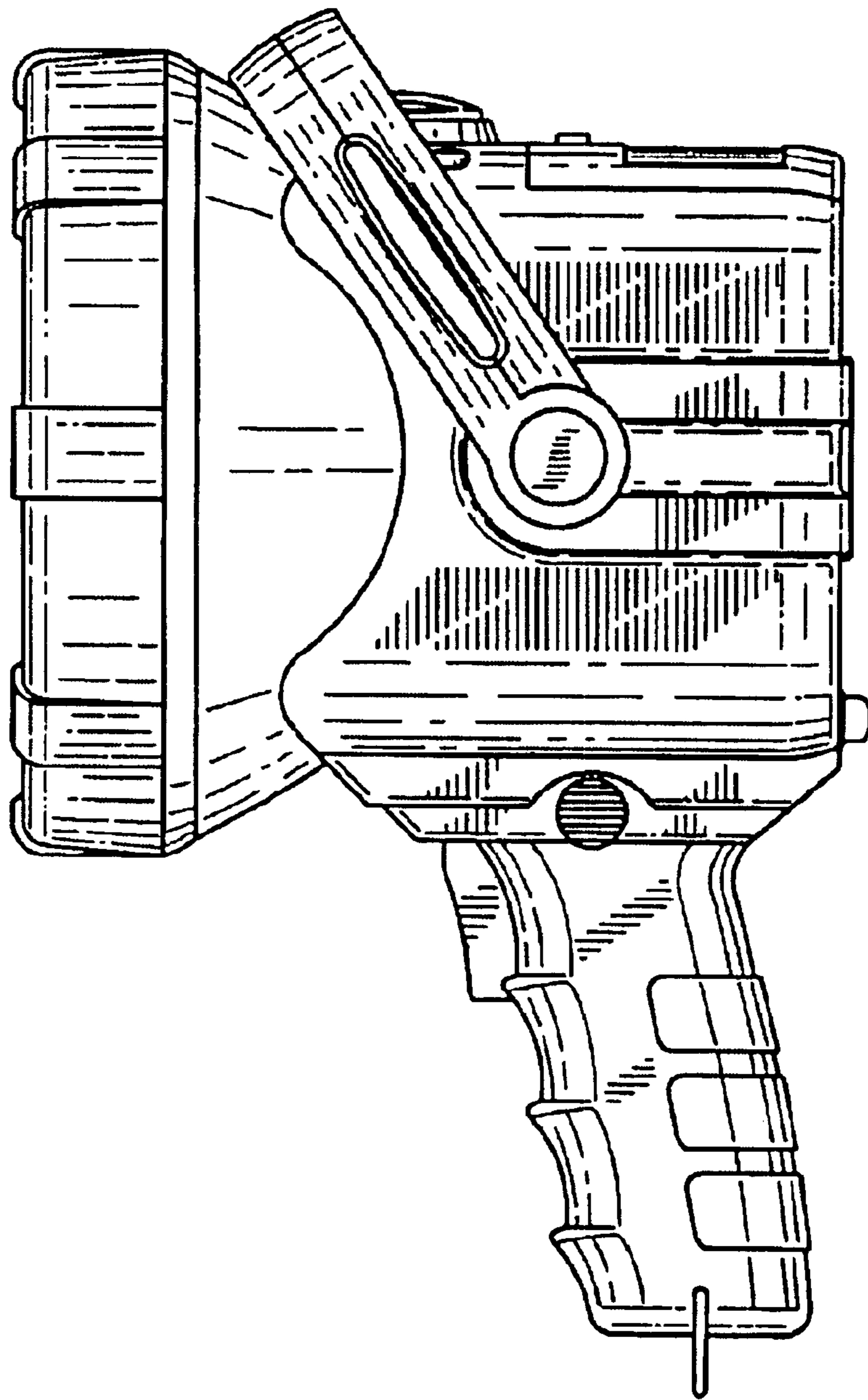


FIG. 4

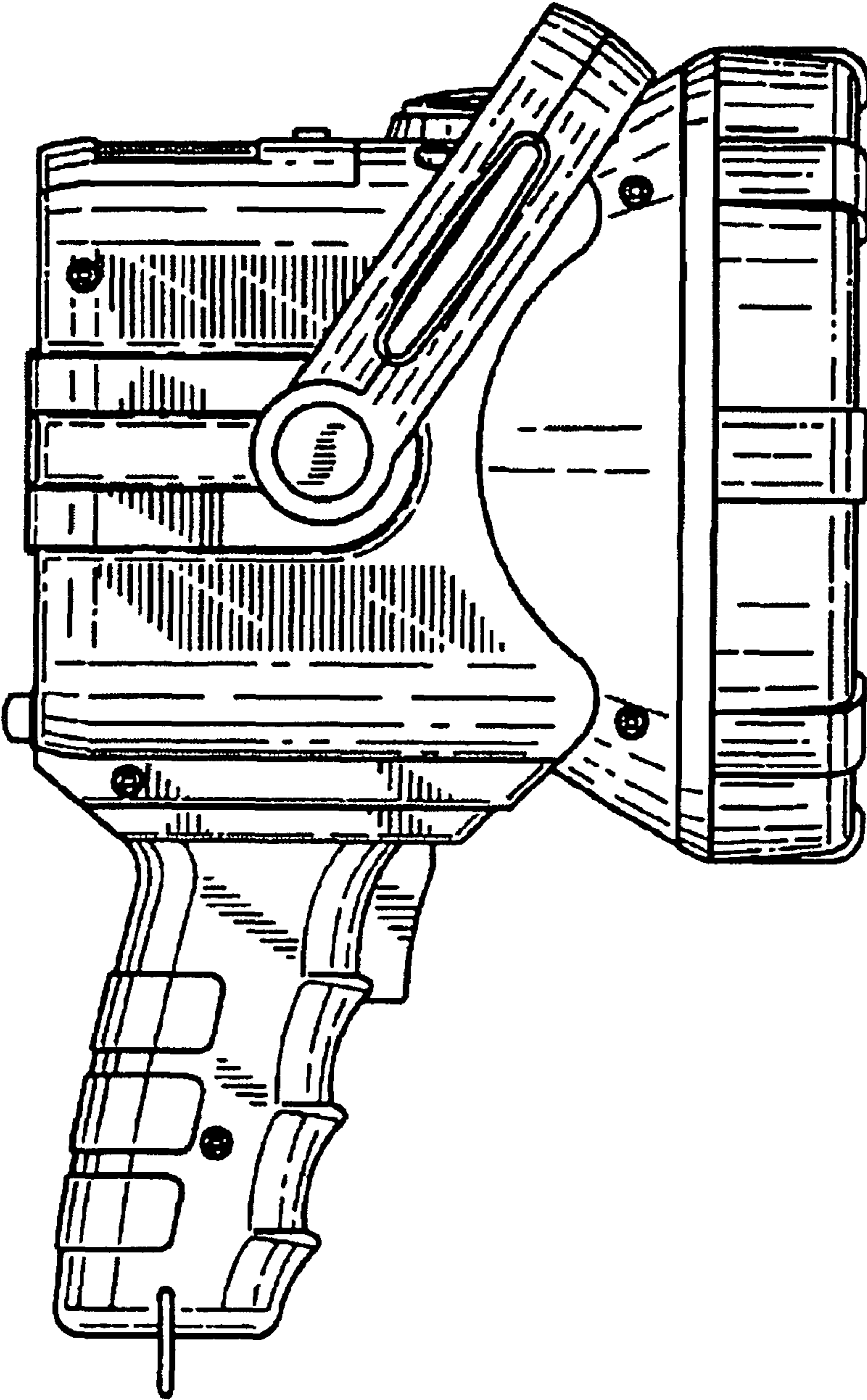


FIG. 5

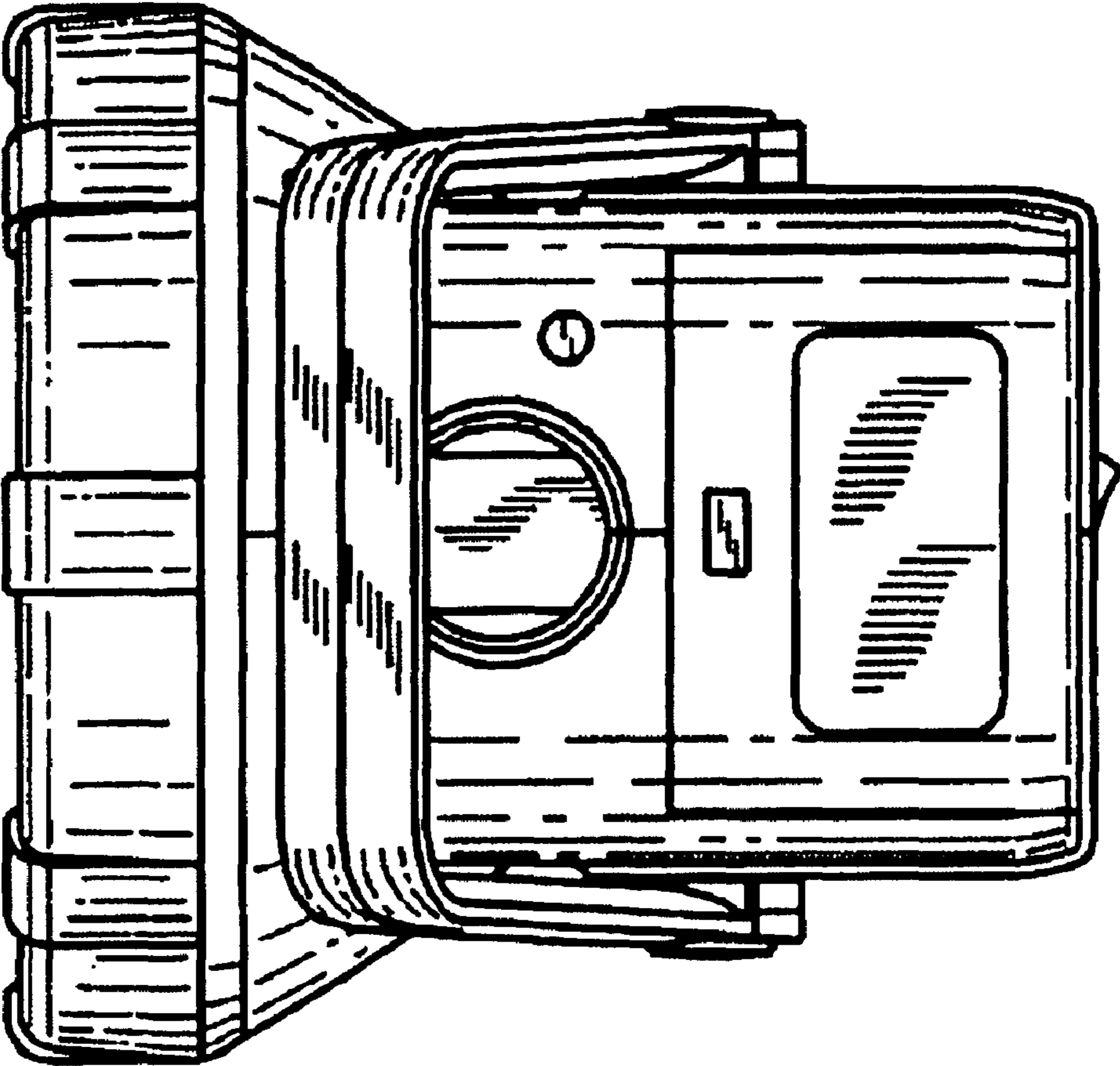


FIG. 6

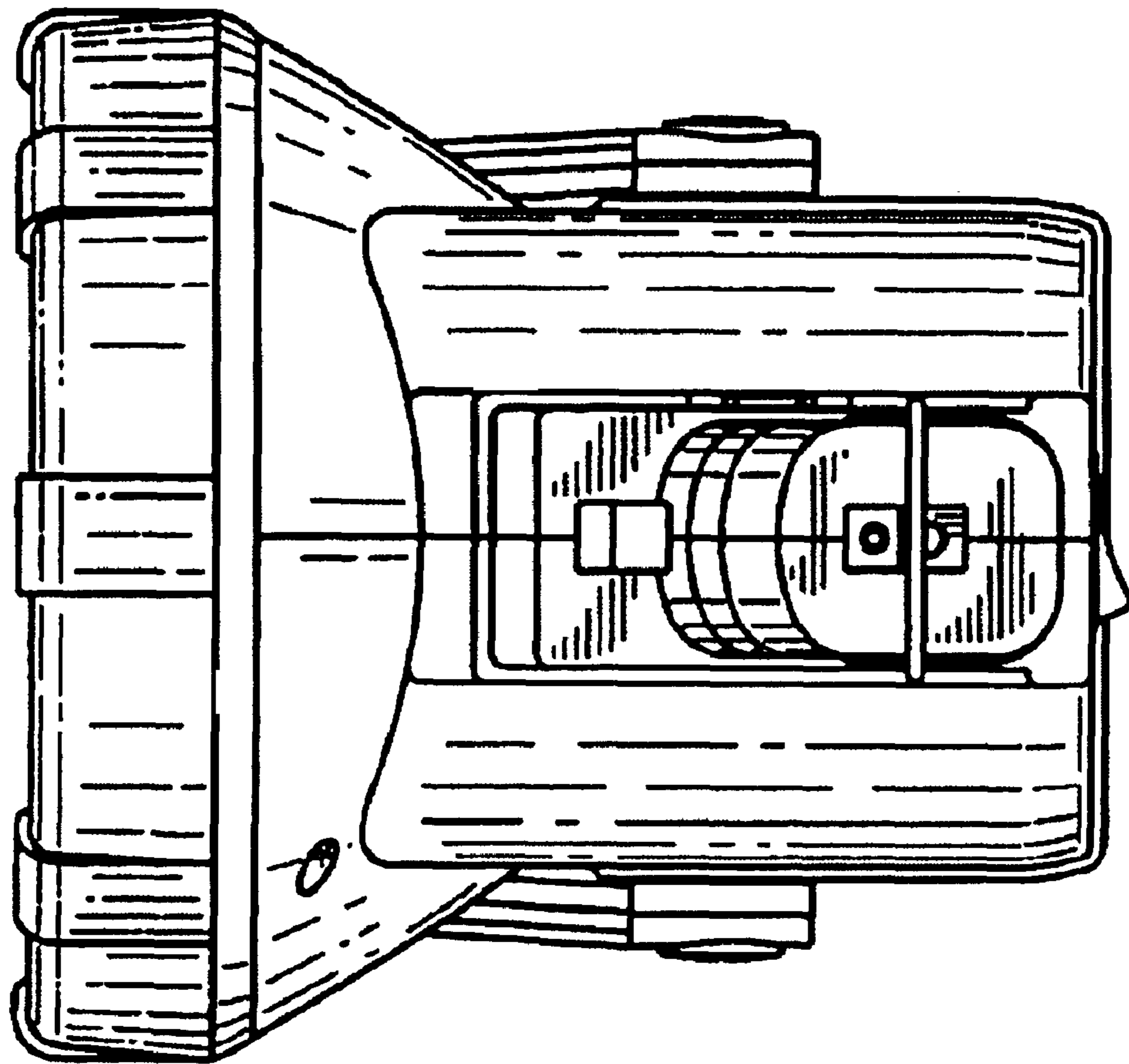


FIG. 7



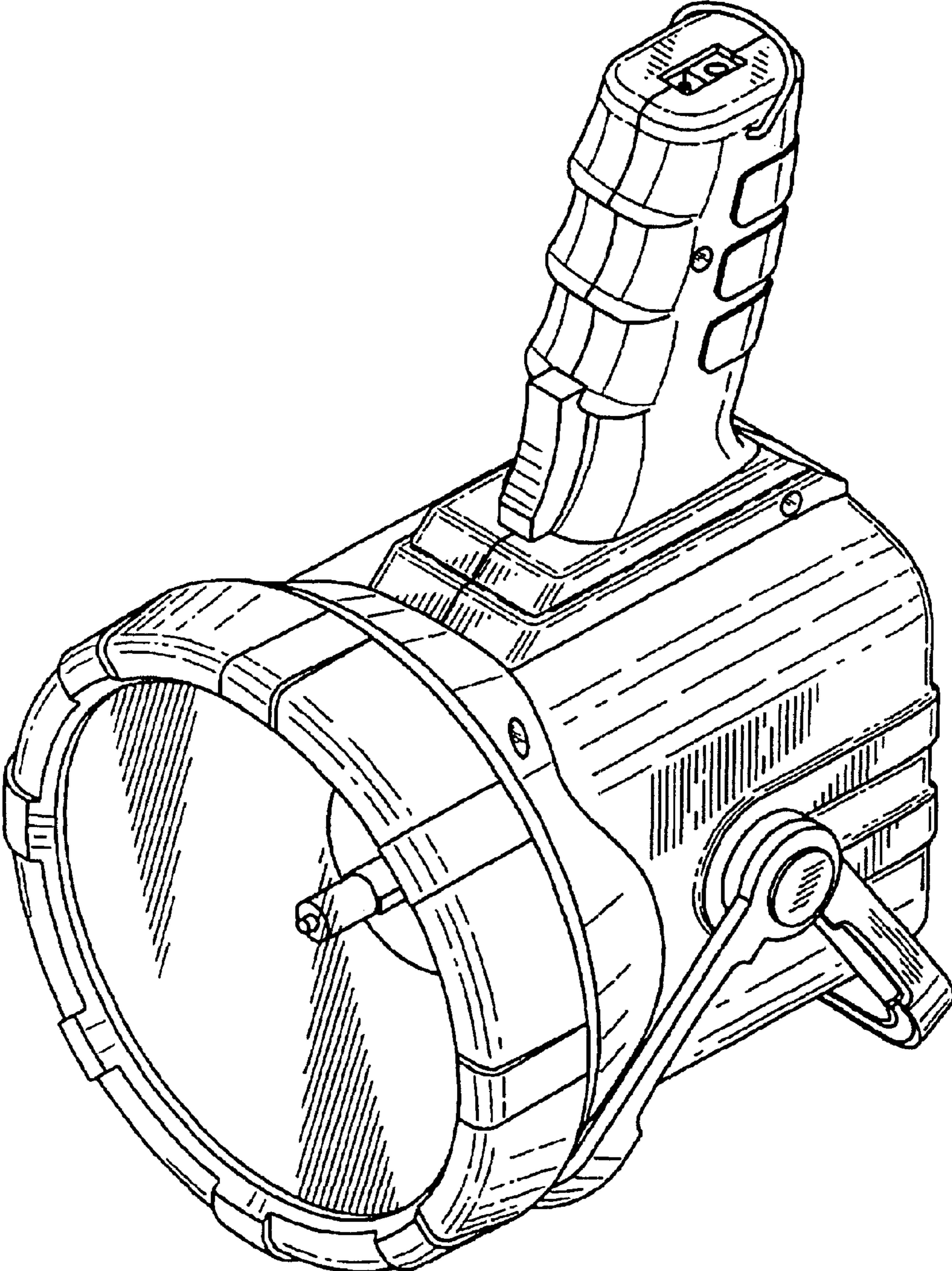


FIG. 8