

US00D508576S

(12) **United States Design Patent**  
**Brady**

(10) **Patent No.:** **US D508,576 S**

(45) **Date of Patent:** **\*\* Aug. 16, 2005**

(54) **BEER MUG LIGHT**

(75) **Inventor:** **Floyd William Brady, Soquel, CA (US)**

(73) **Assignee:** **Salamander Graphix, Inc., Watsonville, CA (US)**

(\*\*) **Term:** **14 Years**

(21) **Appl. No.:** **29/210,441**

(22) **Filed:** **Jul. 29, 2004**

(51) **LOC (8) Cl.** ..... **26-05**

(52) **U.S. Cl.** ..... **D26/26; D26/73**

(58) **Field of Search** ..... **D26/26, 73, 104; D23/366, 367; 362/95, 125, 226, 276, 147, 404, 800**

(56) **References Cited**

**U.S. PATENT DOCUMENTS**

D90,777 S \* 9/1933 Lippard ..... D26/73  
D360,478 S \* 7/1995 Freund ..... D26/26

D394,323 S \* 5/1998 West ..... D26/63  
D434,863 S \* 12/2000 Boessel ..... D26/26  
D499,821 S \* 12/2004 Lee ..... D26/26

\* cited by examiner

*Primary Examiner*—Clare E Heflin

(74) *Attorney, Agent, or Firm*—Townsend and Townsend and Crew LLP

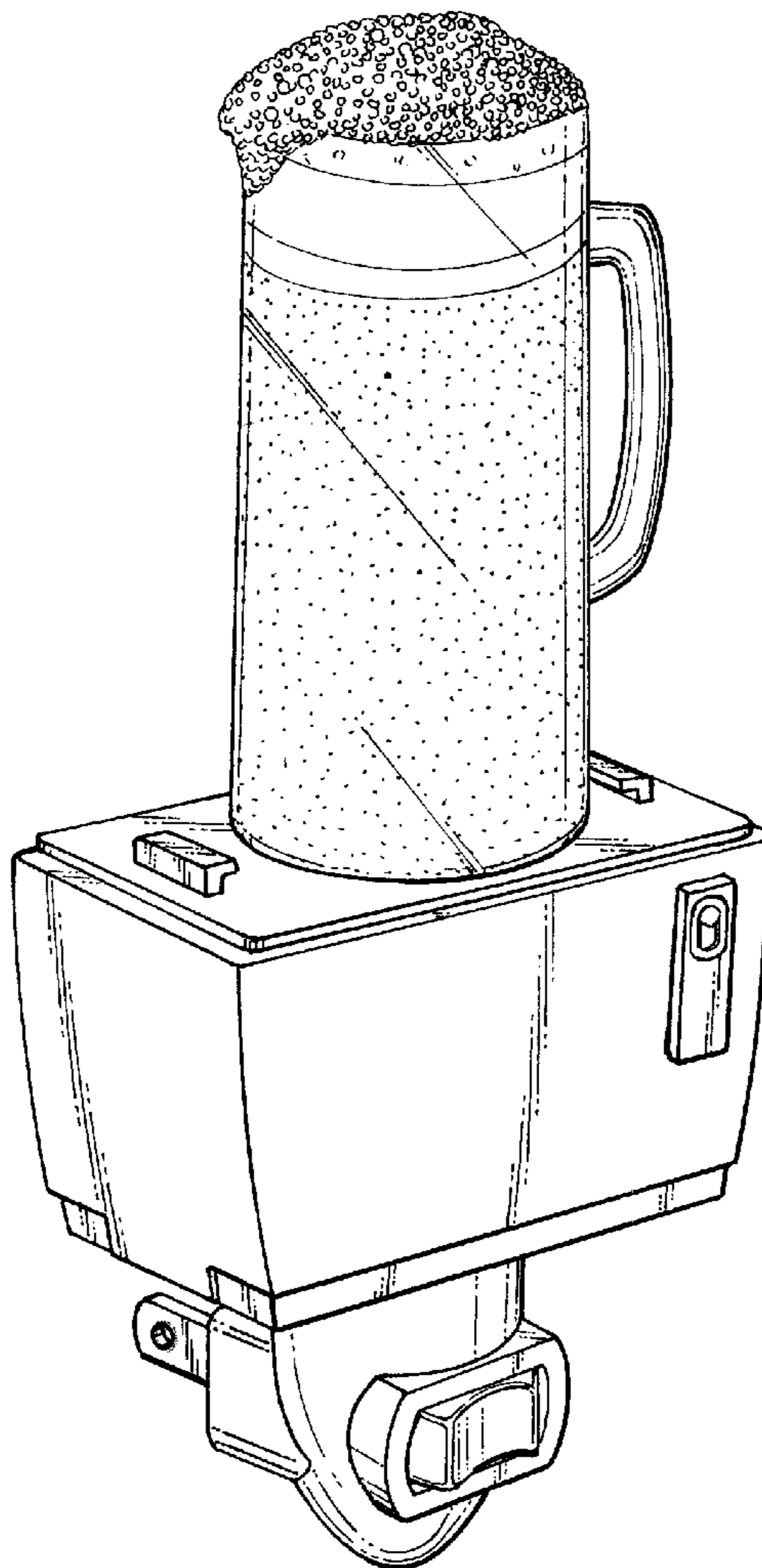
(57) **CLAIM**

The ornamental design for beer mug light, as shown and described.

**DESCRIPTION**

FIG. 1 is a perspective view of a beer mug light showing my new design;  
FIG. 2 is a top plan view thereof;  
FIG. 3 is a front elevational view thereof;  
FIG. 4 is a left side elevational view thereof;  
FIG. 5 is a right side elevational view thereof; and,  
FIG. 6 is a bottom plan view thereof.

**1 Claim, 3 Drawing Sheets**



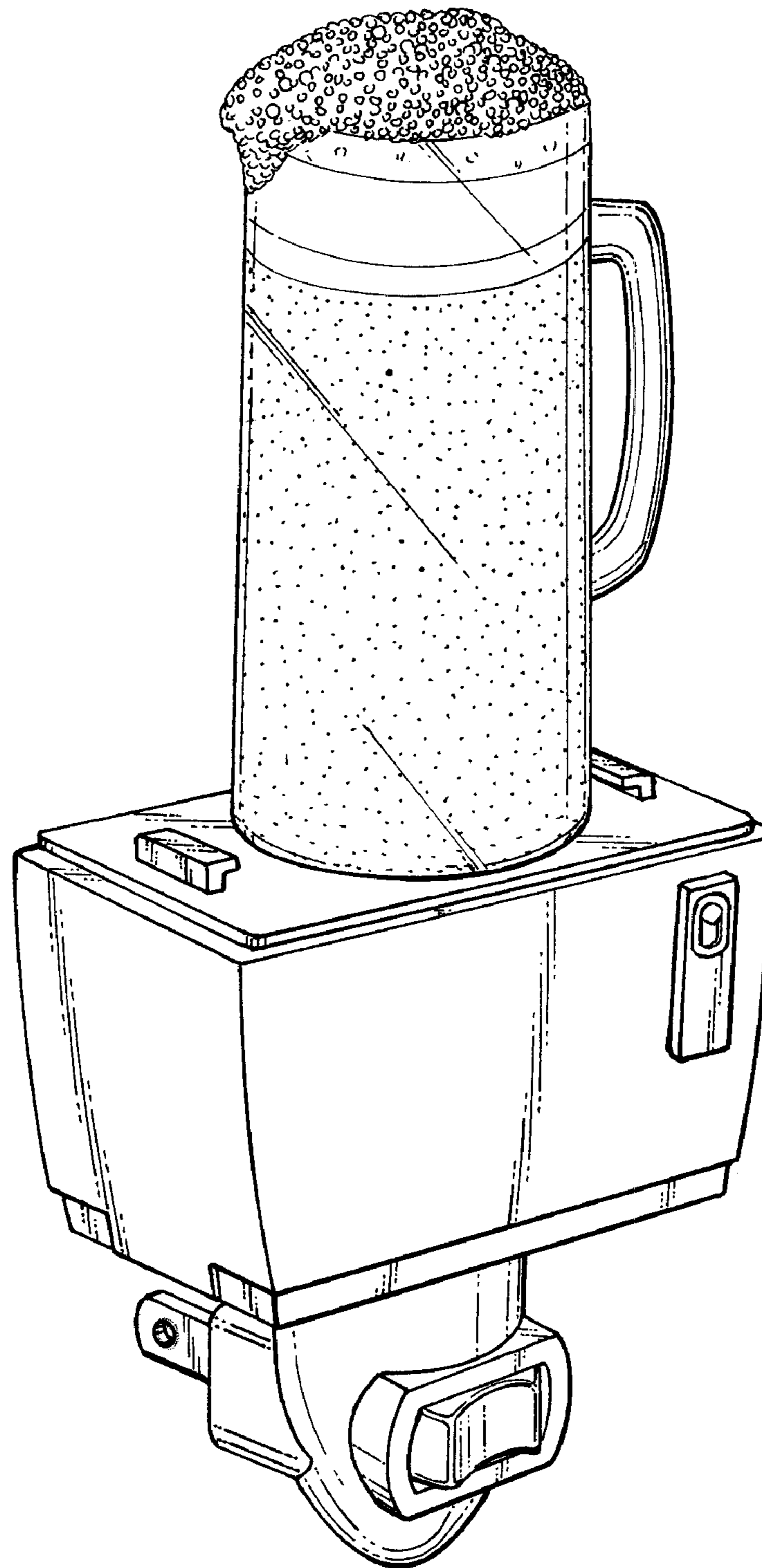
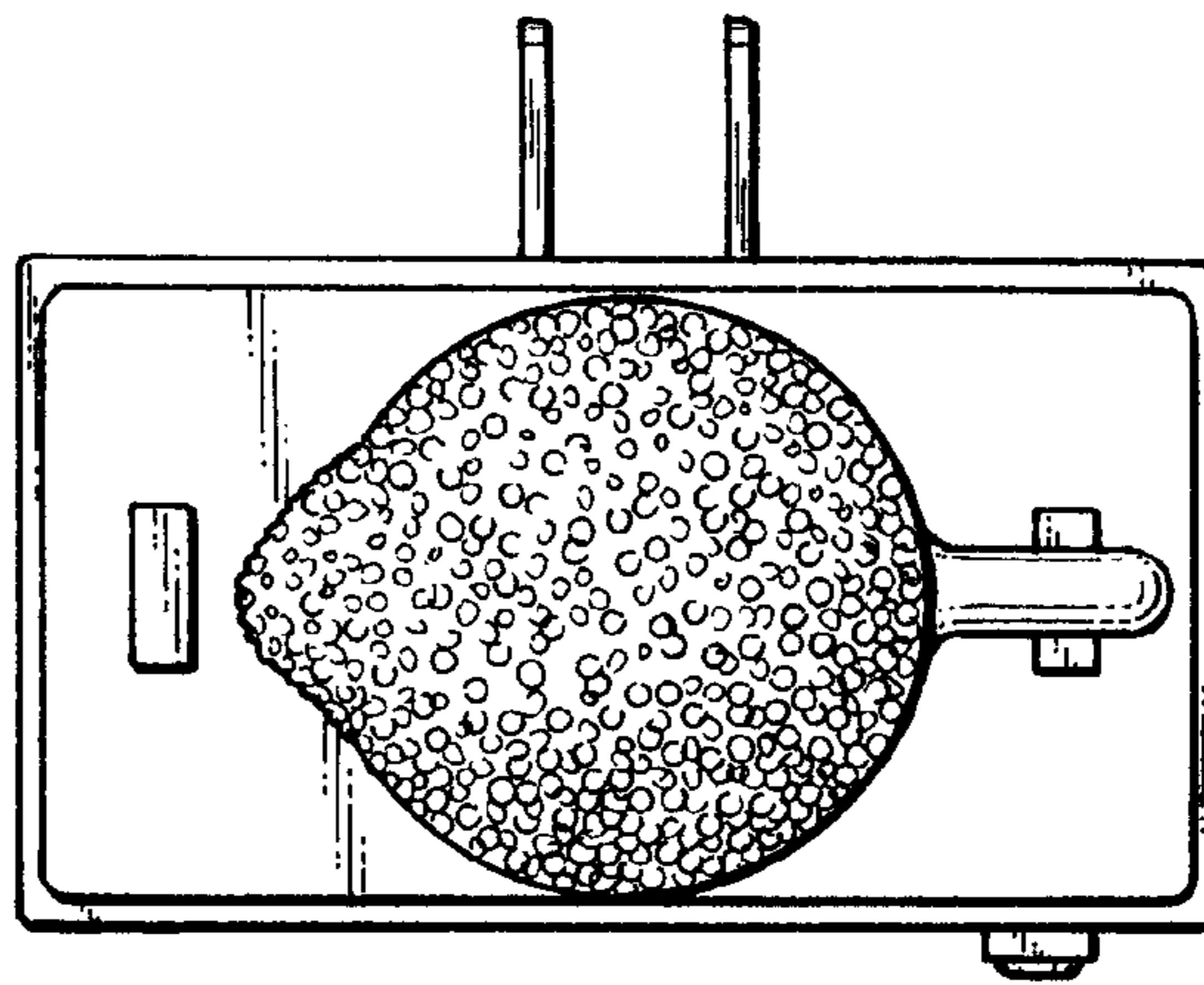
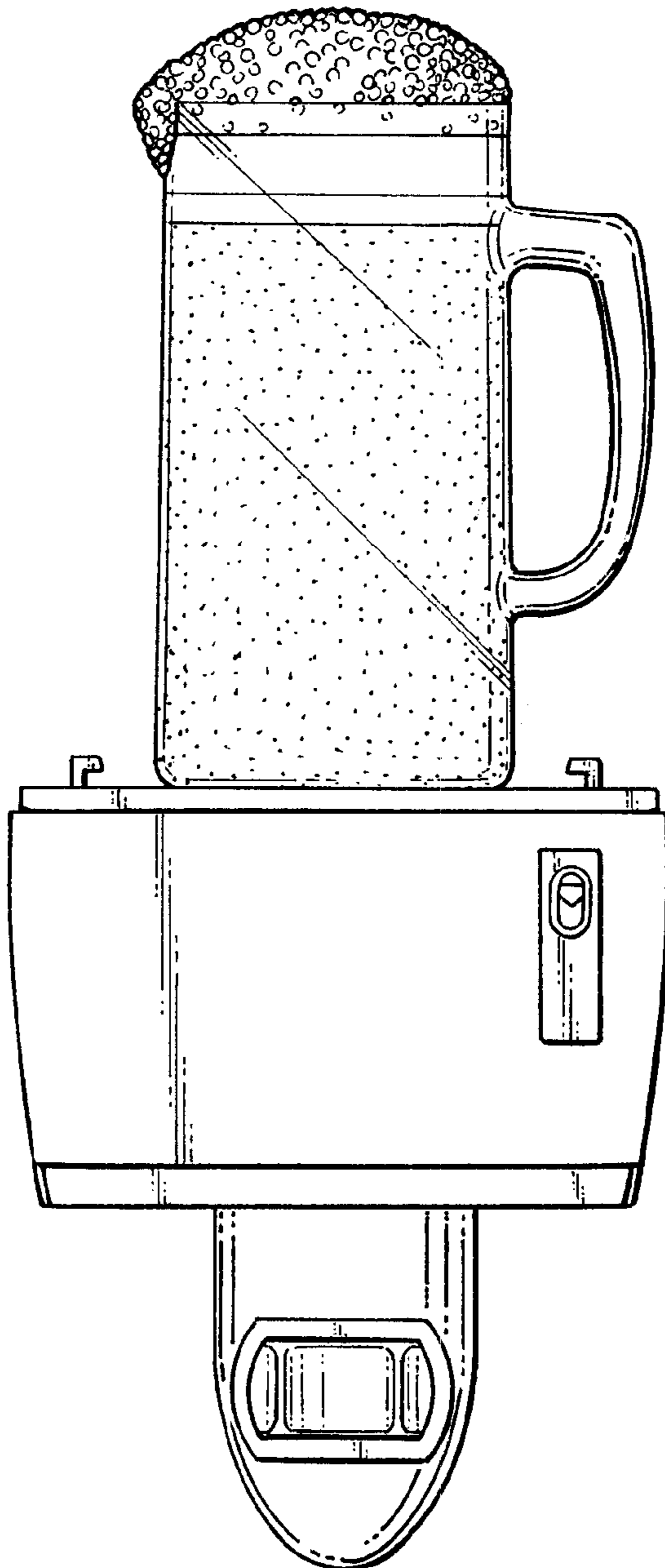


FIG. 1

*FIG. 2*



*FIG. 3*



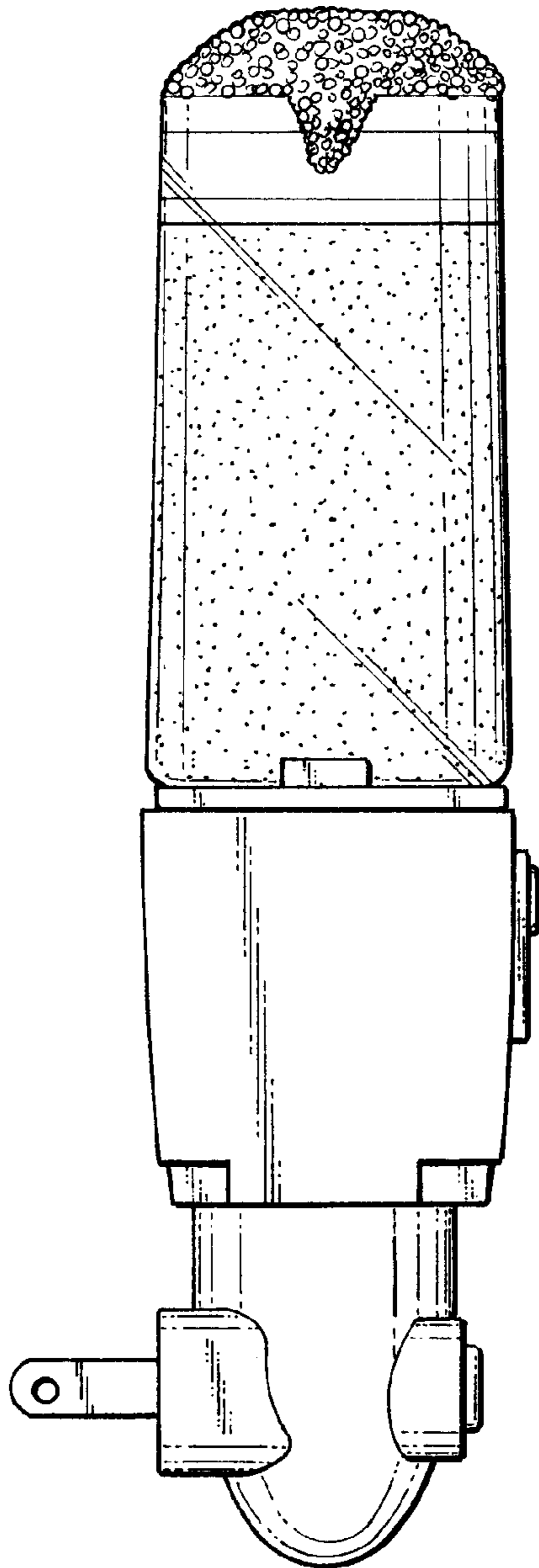


FIG. 4

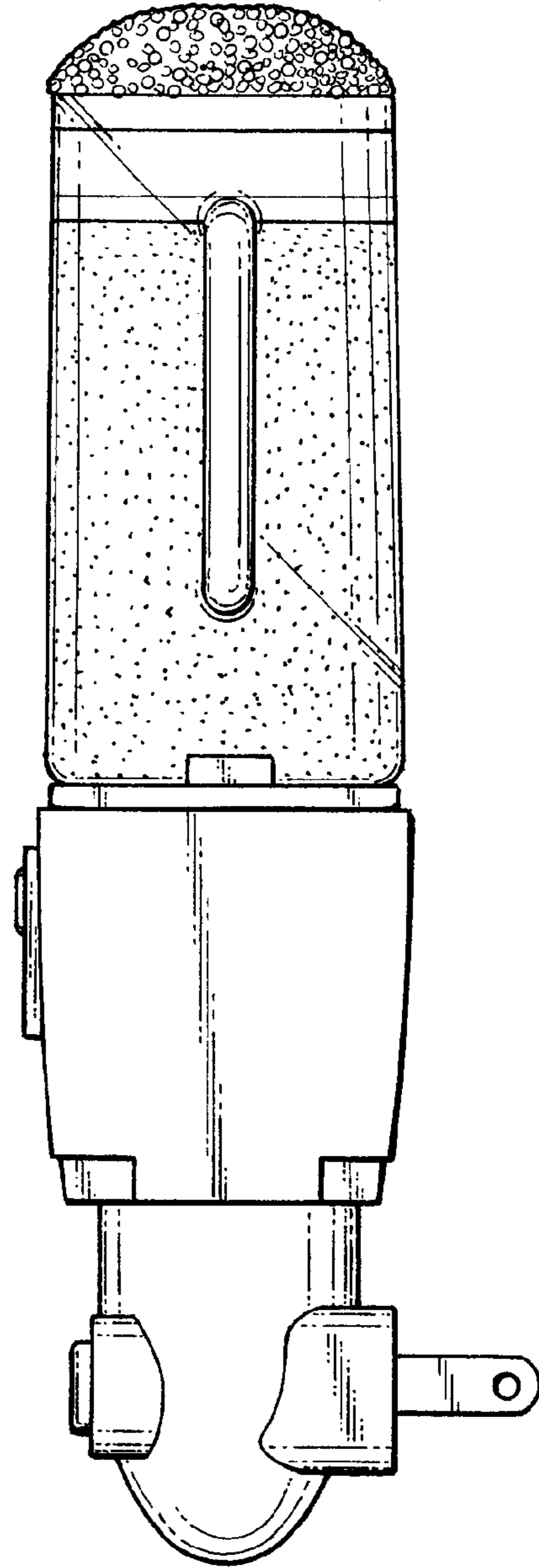


FIG. 5

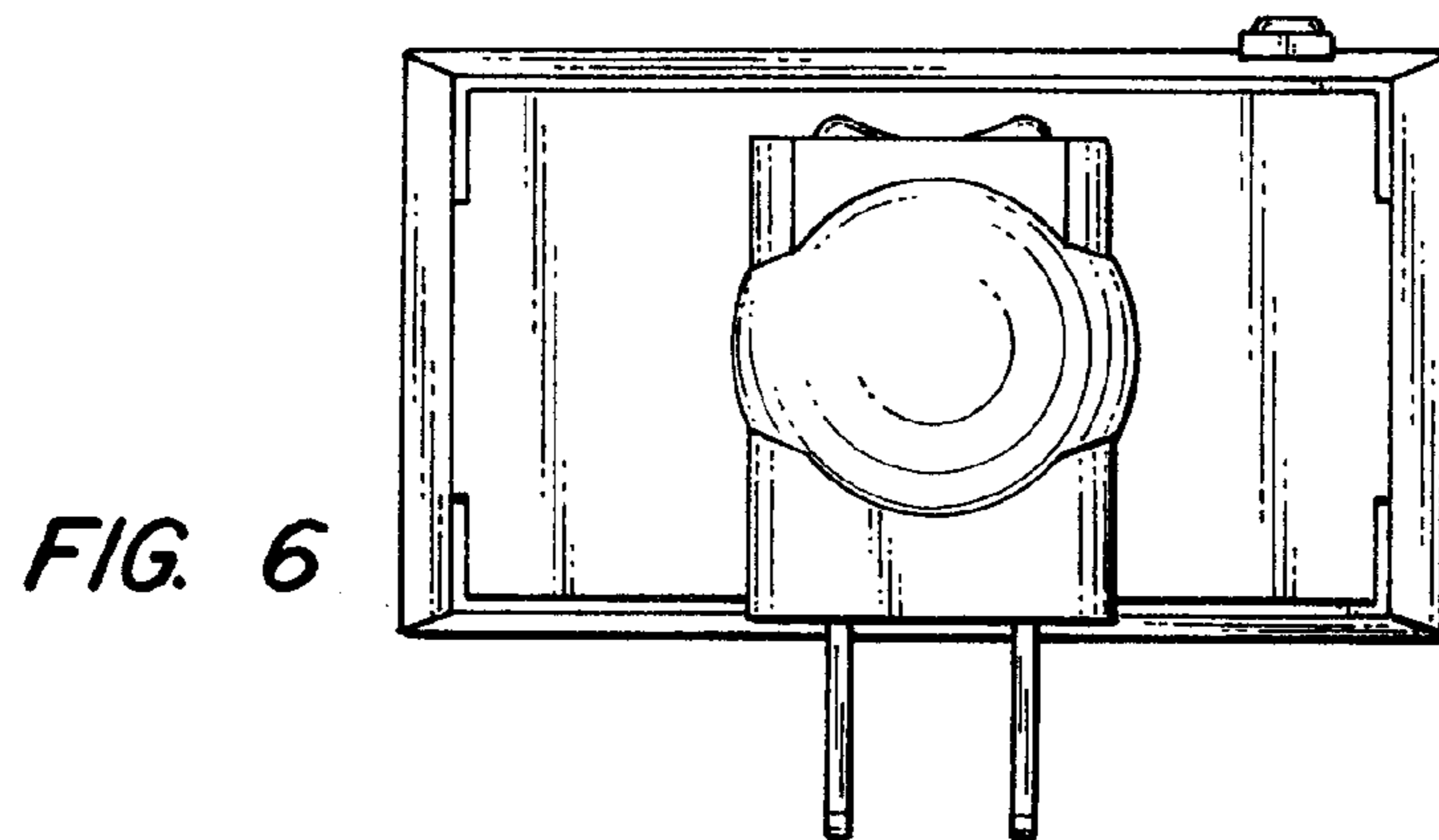


FIG. 6