

US00D508575S

(12) **United States Design Patent**  
**Buschmann et al.**

(10) **Patent No.:** **US D508,575 S**

(45) **Date of Patent:** **\*\* Aug. 16, 2005**

(54) **TUNGSTEN HALOGEN LAMP**

D424,218 S \* 5/2000 Yu ..... D26/2  
D433,167 S \* 10/2000 Yin ..... D26/2  
D467,358 S 12/2002 Morris ..... D26/2

(75) Inventors: **Jeffrey B. Buschmann**, Lexington, KY  
(US); **Kevin R. Davies**, Lexington, KY  
(US); **James E. Oetken**, Winchester,  
KY (US)

\* cited by examiner

(73) Assignee: **Osram Sylvania Inc.**, Danvers, MA  
(US)

*Primary Examiner*—Marcus A. Jackson  
(74) *Attorney, Agent, or Firm*—Carlo S. Bessone

(\*\*) Term: **14 Years**

(57) **CLAIM**

(21) Appl. No.: **29/208,898**

The ornamental design for a tungsten halogen lamp, as shown and described.

(22) Filed: **Jul. 7, 2004**

**DESCRIPTION**

(51) **LOC (8) Cl.** ..... **26-06**

(52) **U.S. Cl.** ..... **D26/2**

(58) **Field of Search** ..... D26/1-4; 313/111,  
313/113, 313, 315, 317, 318; 315/56, 57,  
58

FIG. 1 is a perspective view of a tungsten halogen lamp illustrating our new design;

FIG. 2 is a right side view thereof, all sides being similar;

FIG. 3 is a front view thereof; and,

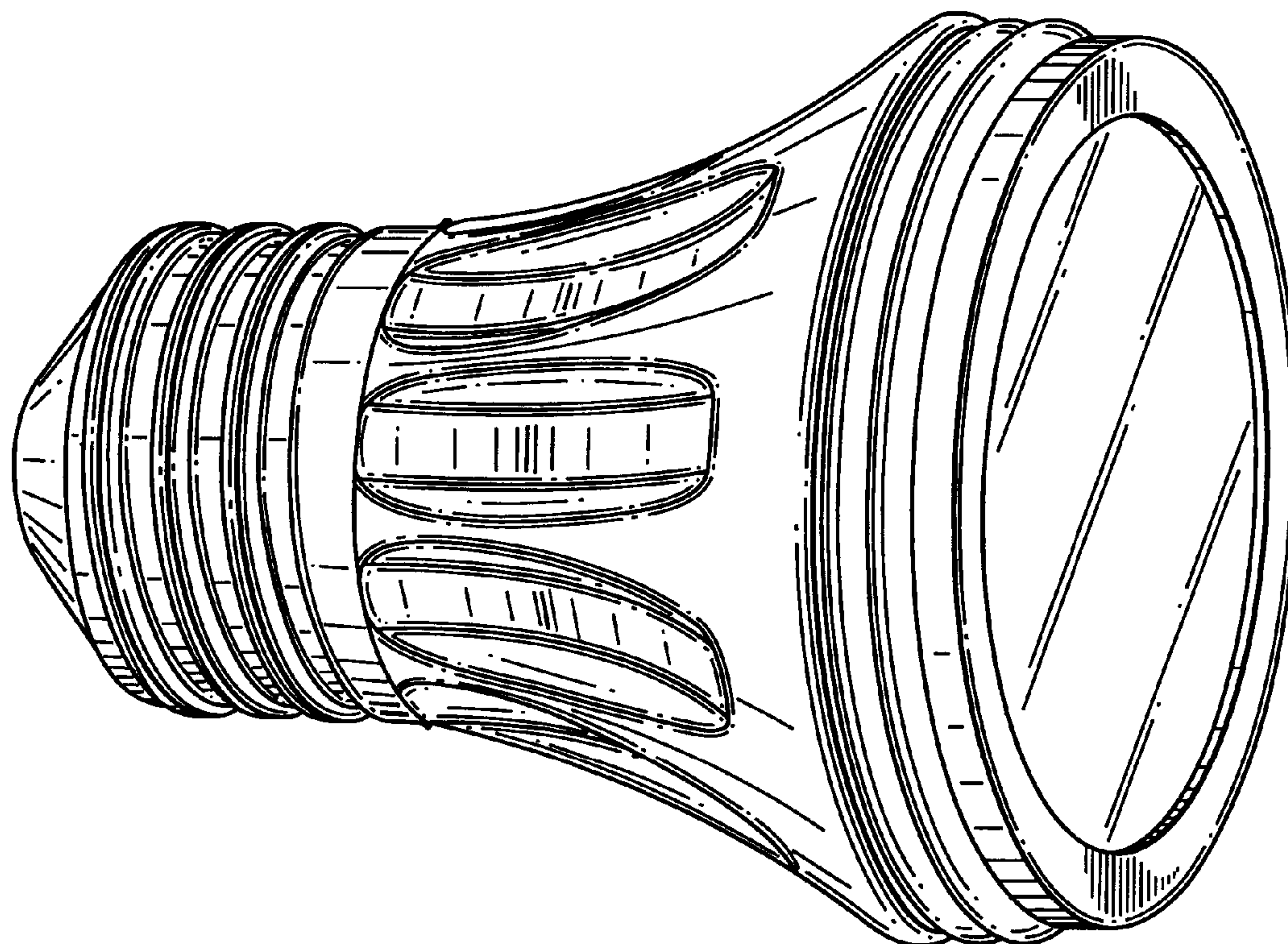
FIG. 4 is a rear view thereof.

(56) **References Cited**

**U.S. PATENT DOCUMENTS**

D379,537 S \* 5/1997 Gallant et al. .... D26/2

**1 Claim, 3 Drawing Sheets**



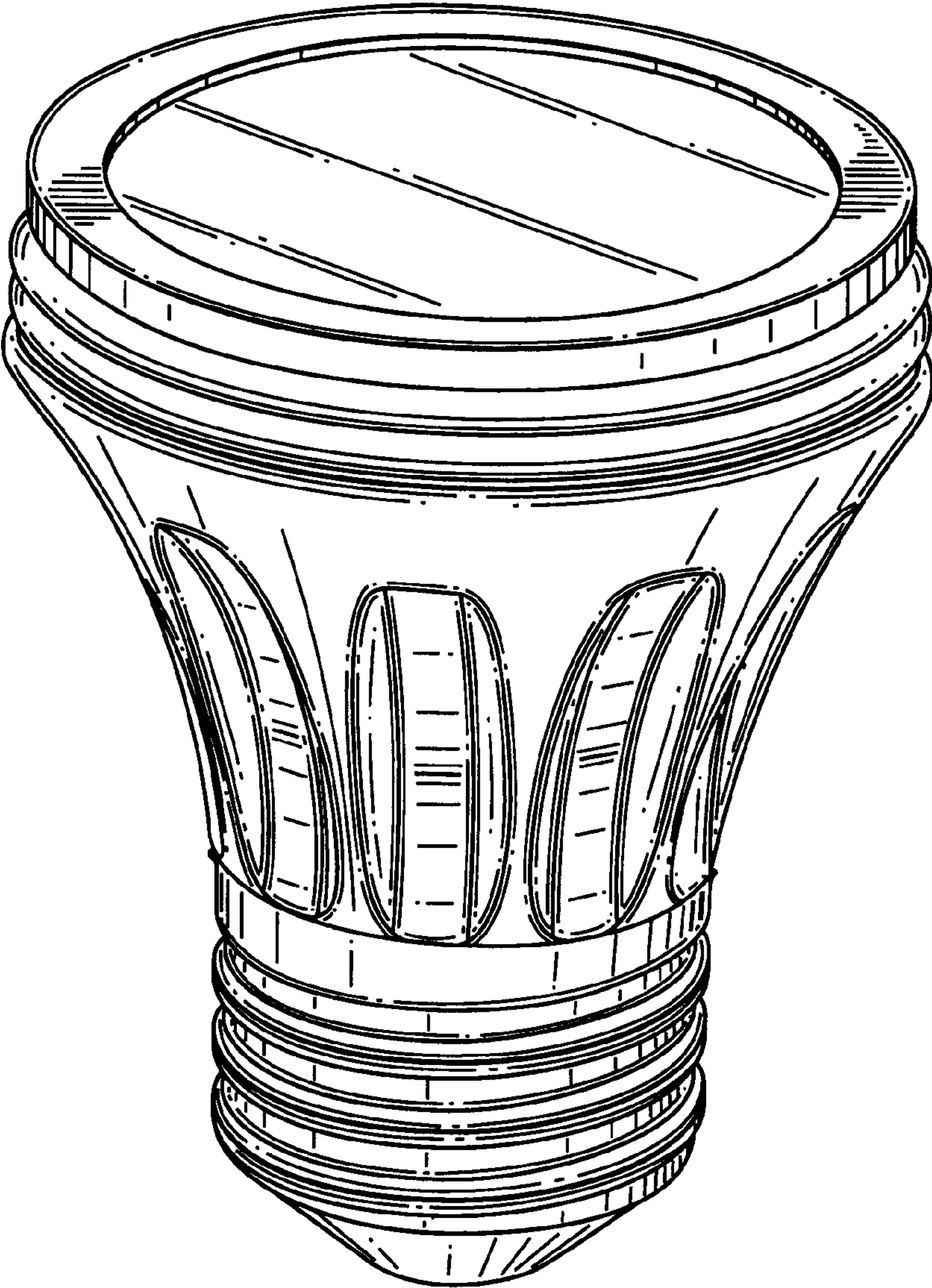


FIG. 1

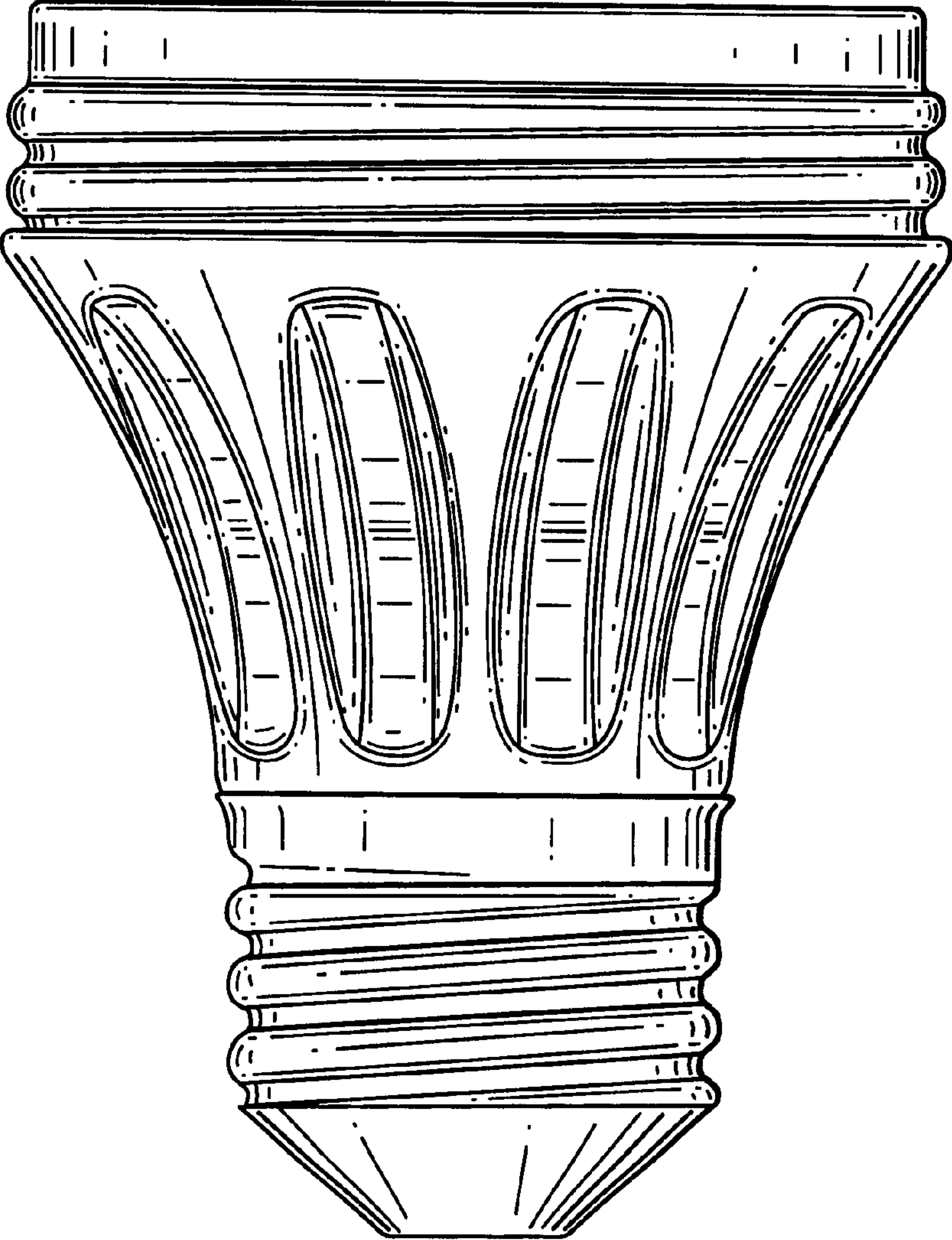


FIG. 2



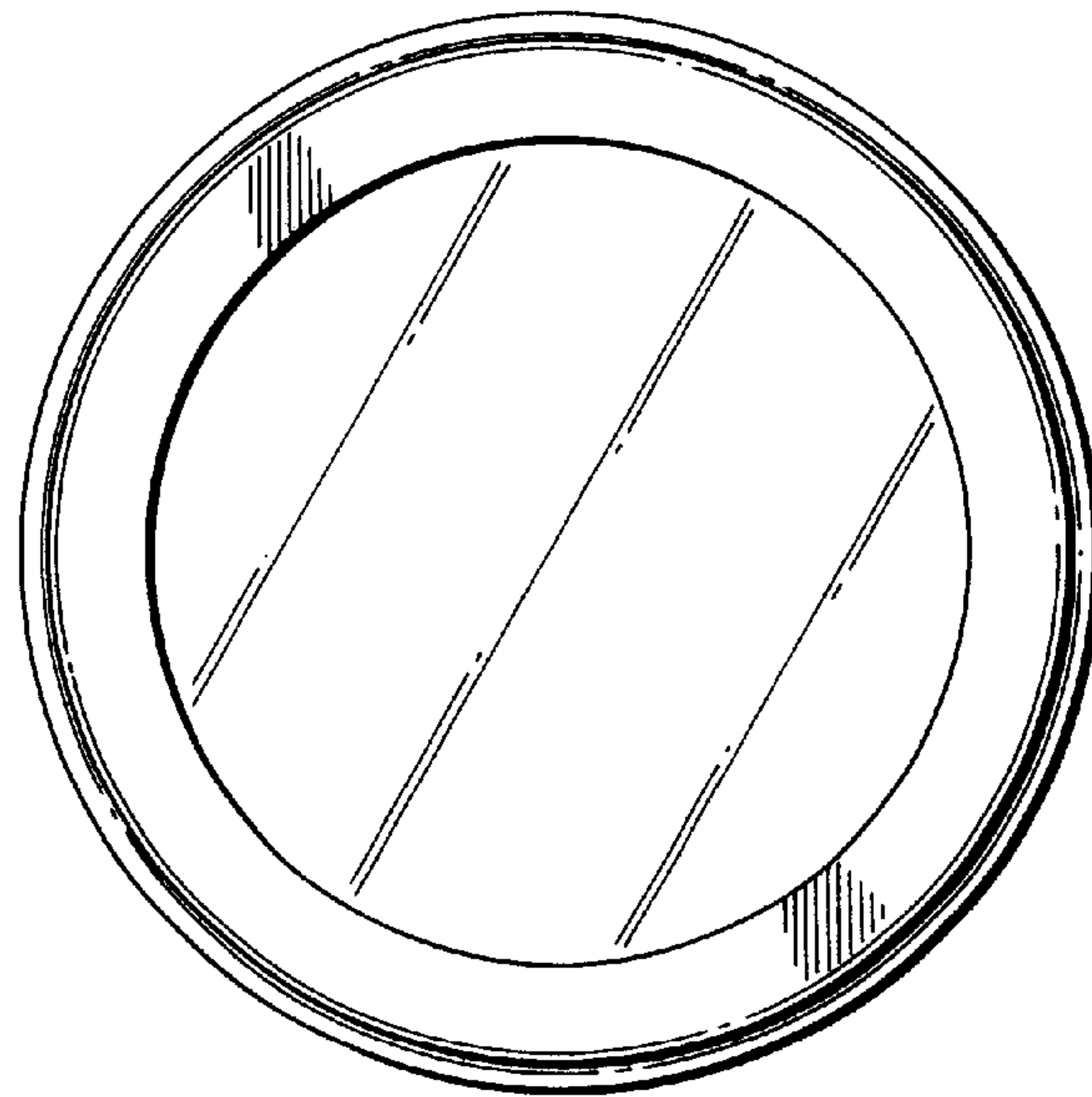


FIG. 3

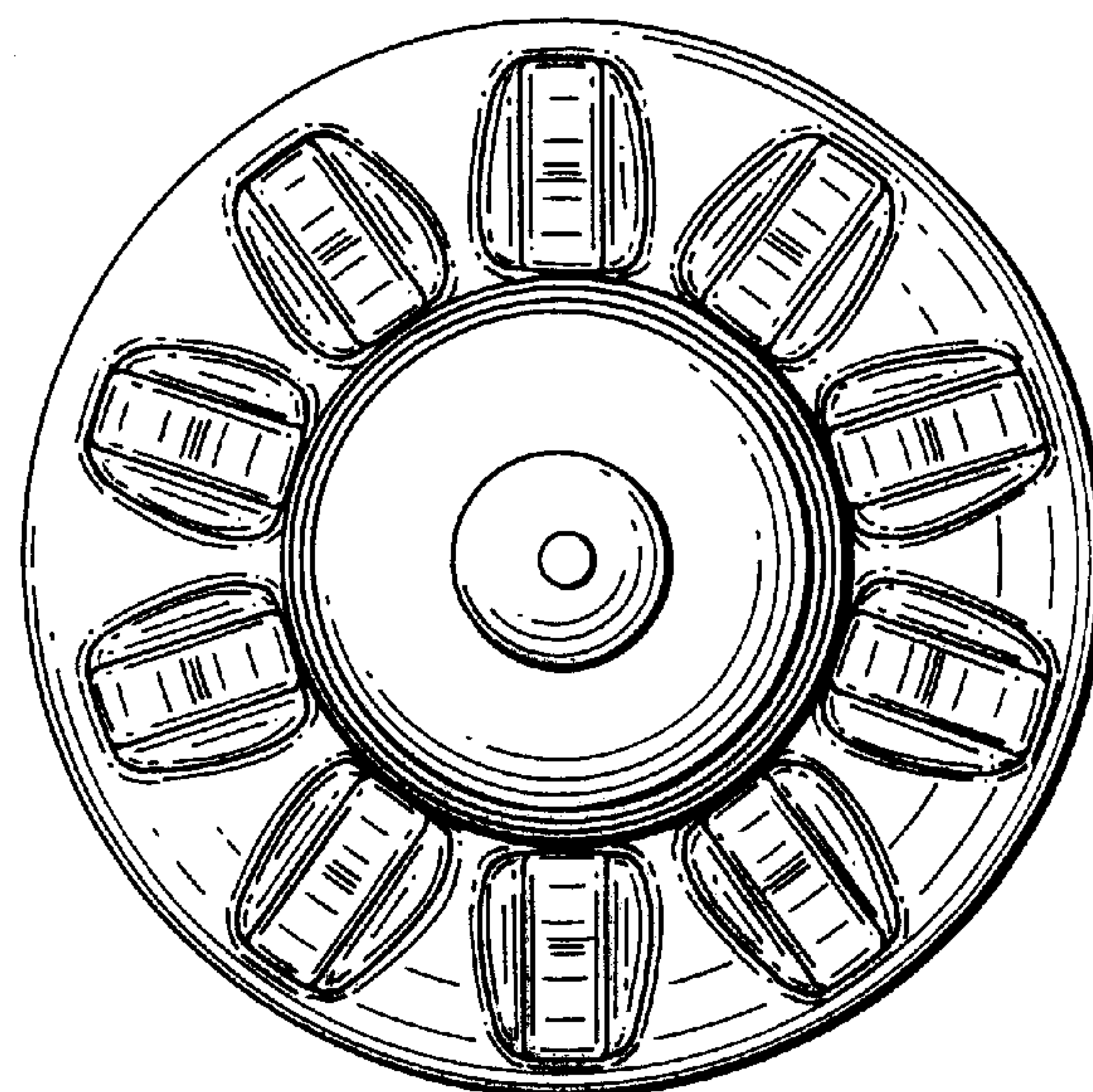


FIG. 4