

US00D508574S

(12) **United States Design Patent**  
**Janssen**

(10) **Patent No.: US D508,574 S**

(45) **Date of Patent: \*\* Aug. 16, 2005**

(54) **SOLID STATE LIGHTING MODULE**

D291,322 S \* 8/1987 Brower et al. .... D26/1  
D334,990 S \* 4/1993 Sekiguchi et al. .... D26/1

(75) Inventor: **Ramon Janssen, Eindhoven (NL)**

\* cited by examiner

(73) Assignee: **Koninklijke Philips Electronics, N.V.,  
Eindhoven (NL)**

*Primary Examiner*—Marcus A. Jackson

(\*\*) Term: **14 Years**

(57) **CLAIM**

(21) Appl. No.: **29/215,583**

The ornamental design for a solid state lighting module, as shown.

(22) Filed: **Oct. 21, 2004**

(30) **Foreign Application Priority Data**

Apr. 23, 2004 (EM) ..... 000168679-0002

(51) **LOC (8) Cl. .... 26-04**

(52) **U.S. Cl. .... D26/1**

(58) **Field of Search** ..... D26/1-4; 313/315,  
313/316, 317, 318, 470, 493, 500

**DESCRIPTION**

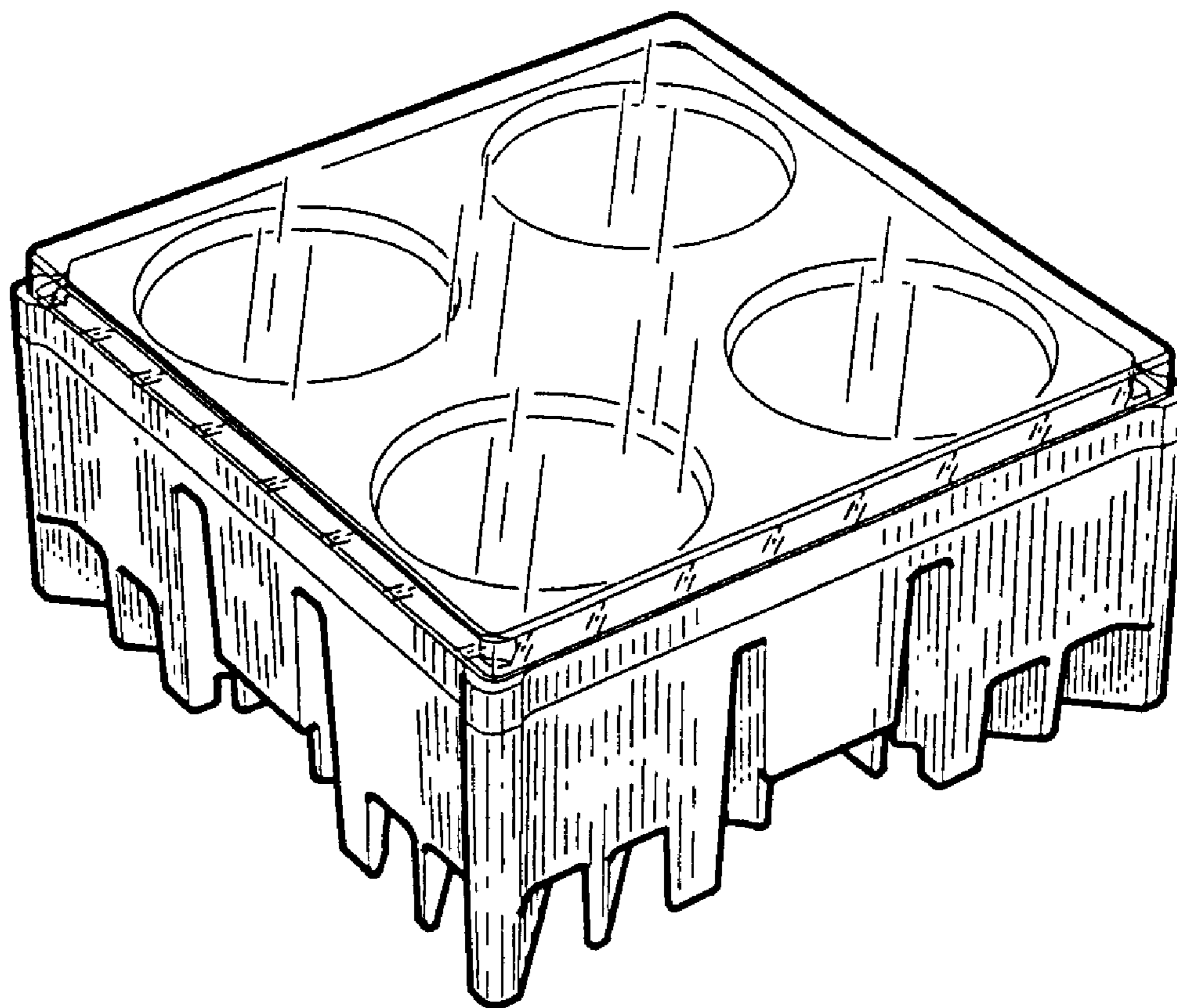
FIG. 1 is a perspective view showing my design;  
FIG. 2 is a front elevational view thereof;  
FIG. 3 is a rear elevational view thereof;  
FIG. 4 is a left side elevational view thereof;  
FIG. 5 is a right side elevational view thereof;  
FIG. 6 is a top plan view thereof; and,  
FIG. 7 is a bottom plan view thereof.

(56) **References Cited**

**U.S. PATENT DOCUMENTS**

D260,398 S \* 8/1981 Schindler et al. .... D26/1

**1 Claim, 3 Drawing Sheets**



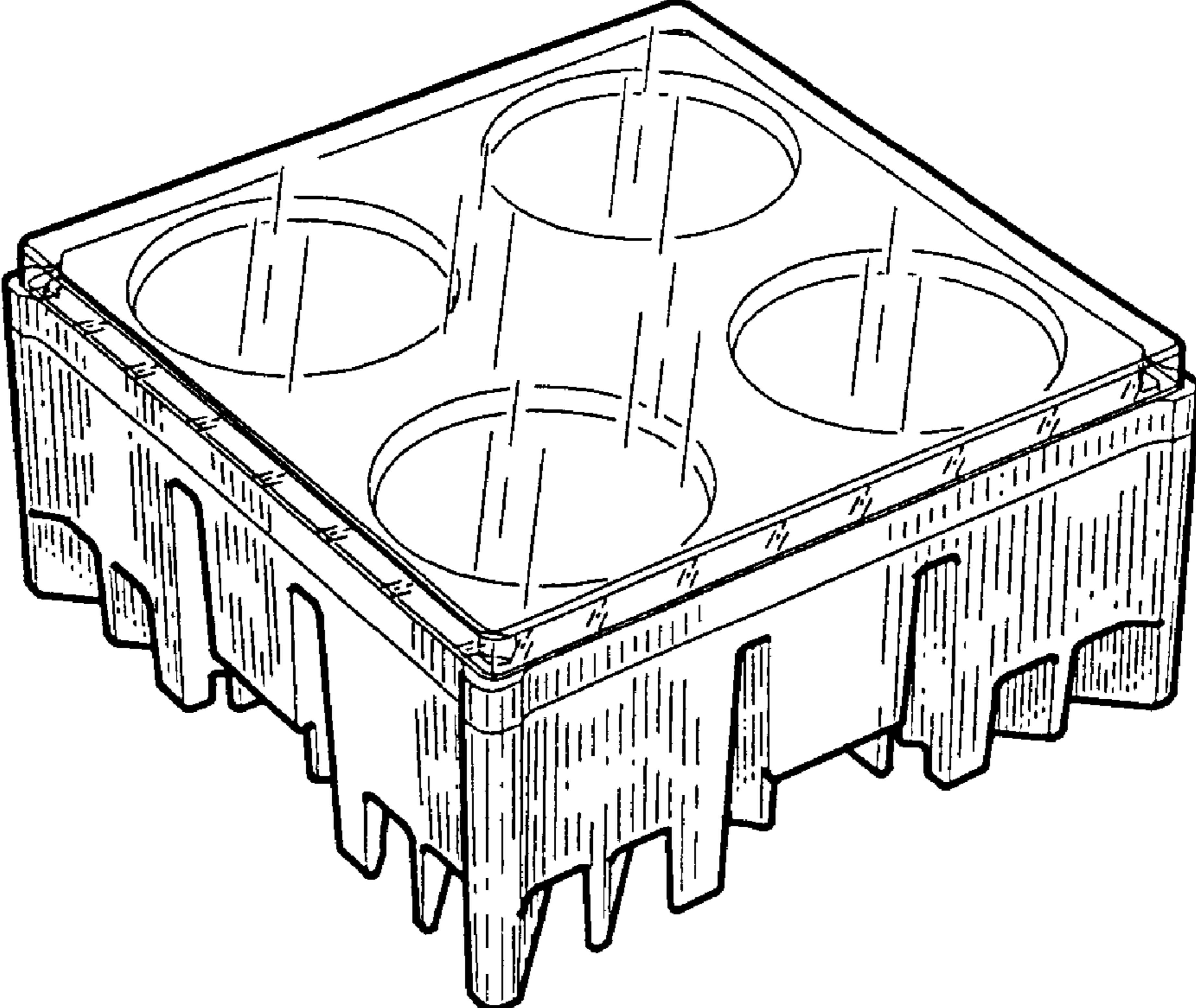


FIG. 1

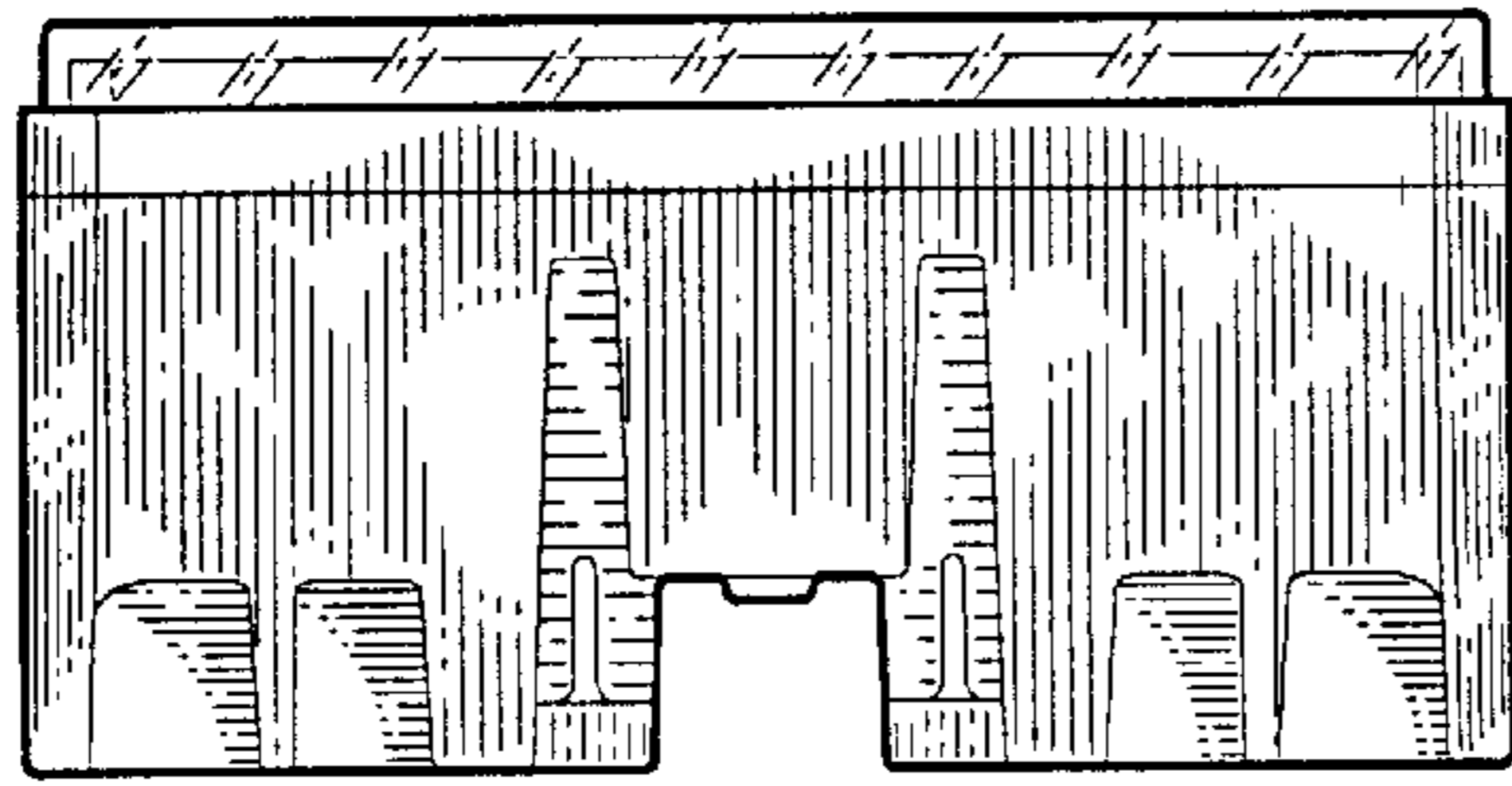


FIG. 2

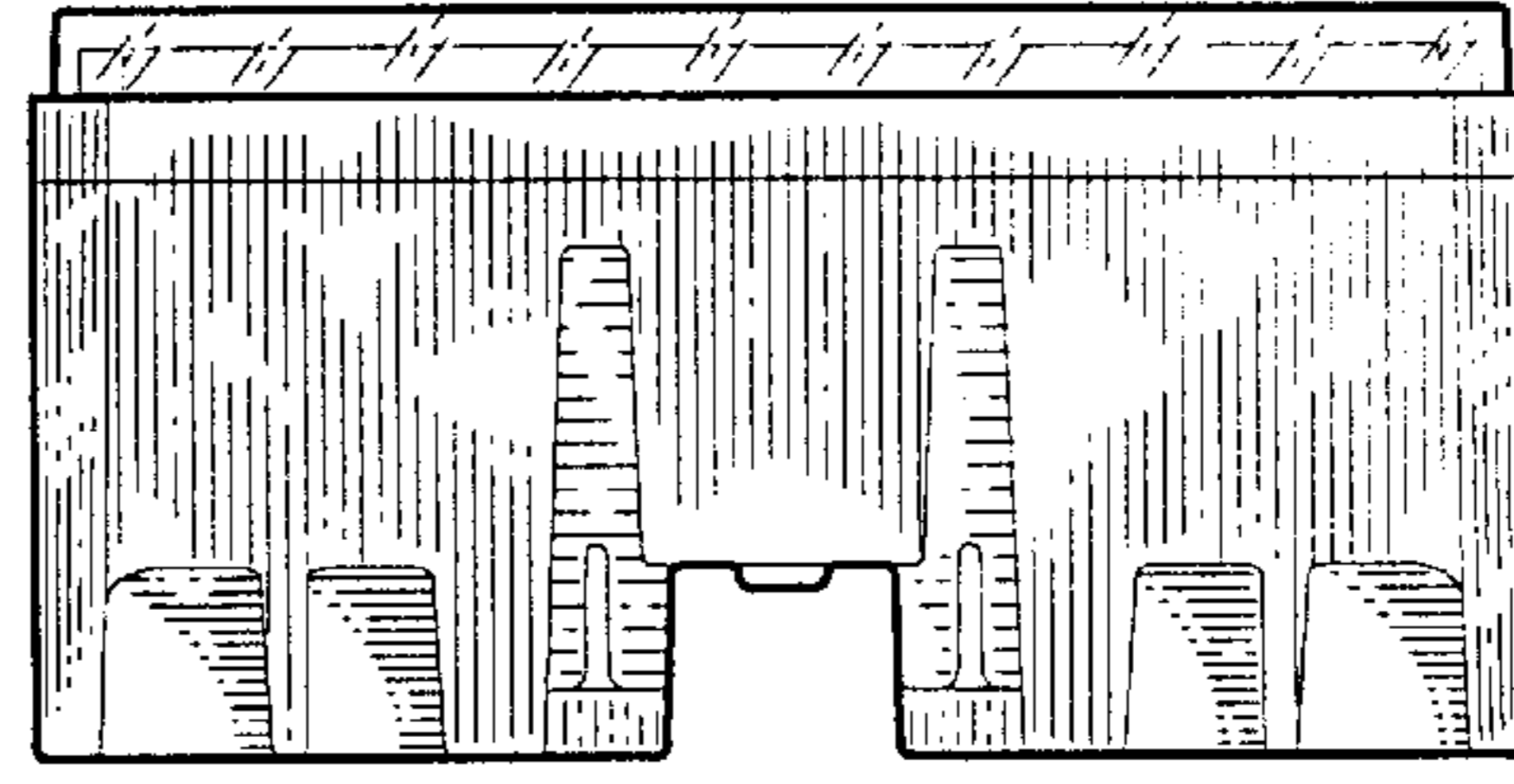


FIG. 3

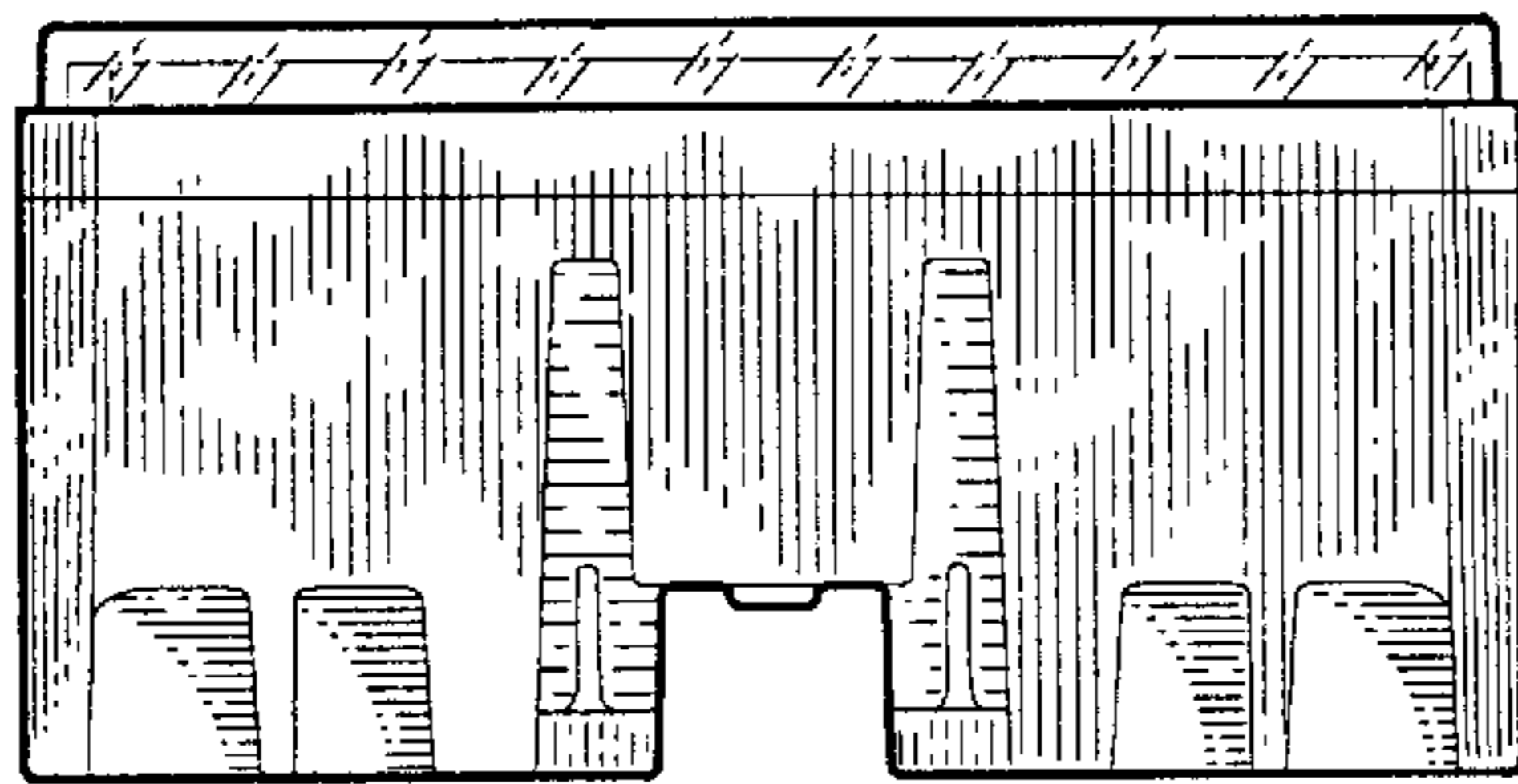


FIG. 4

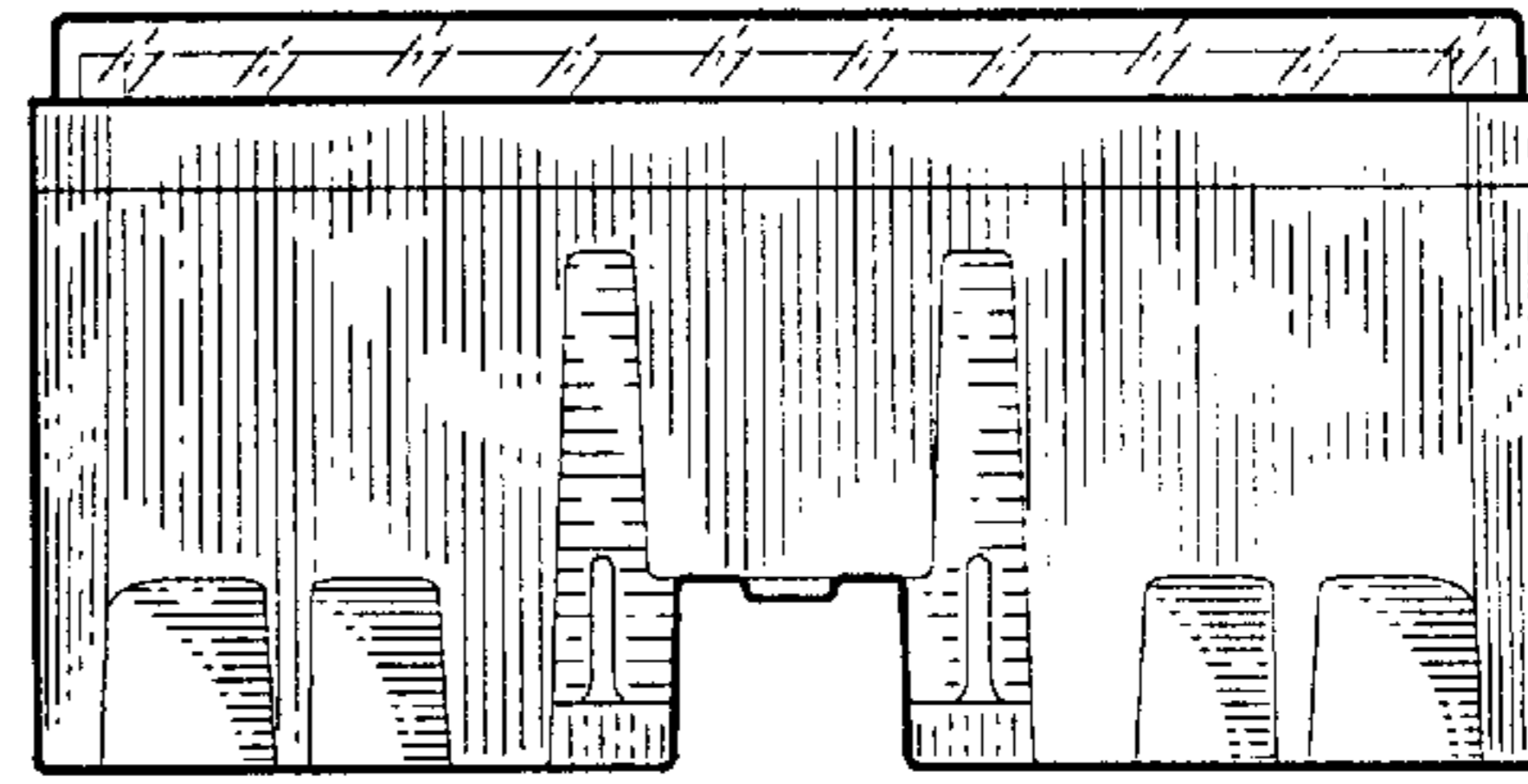


FIG. 5

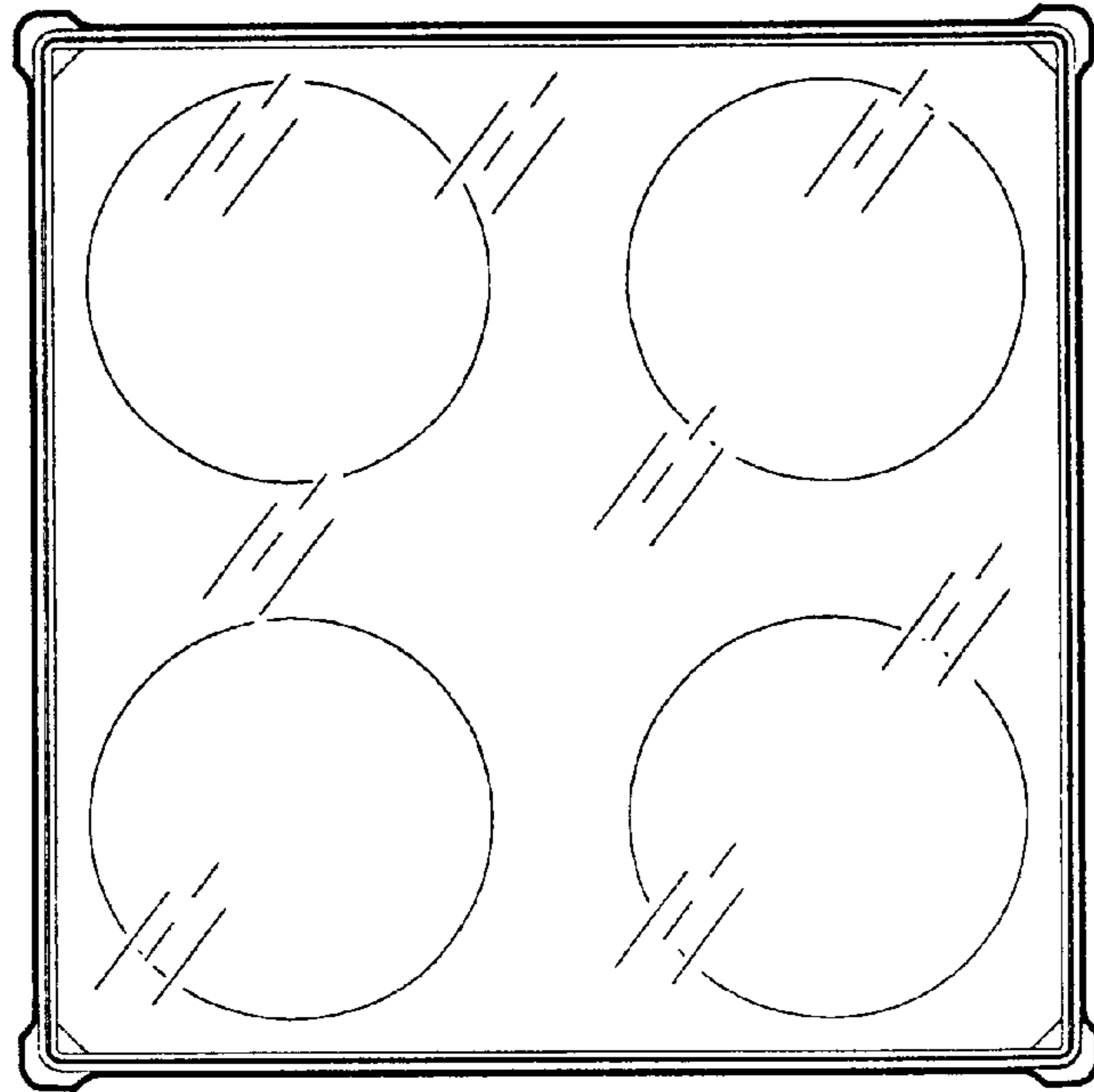


FIG. 6

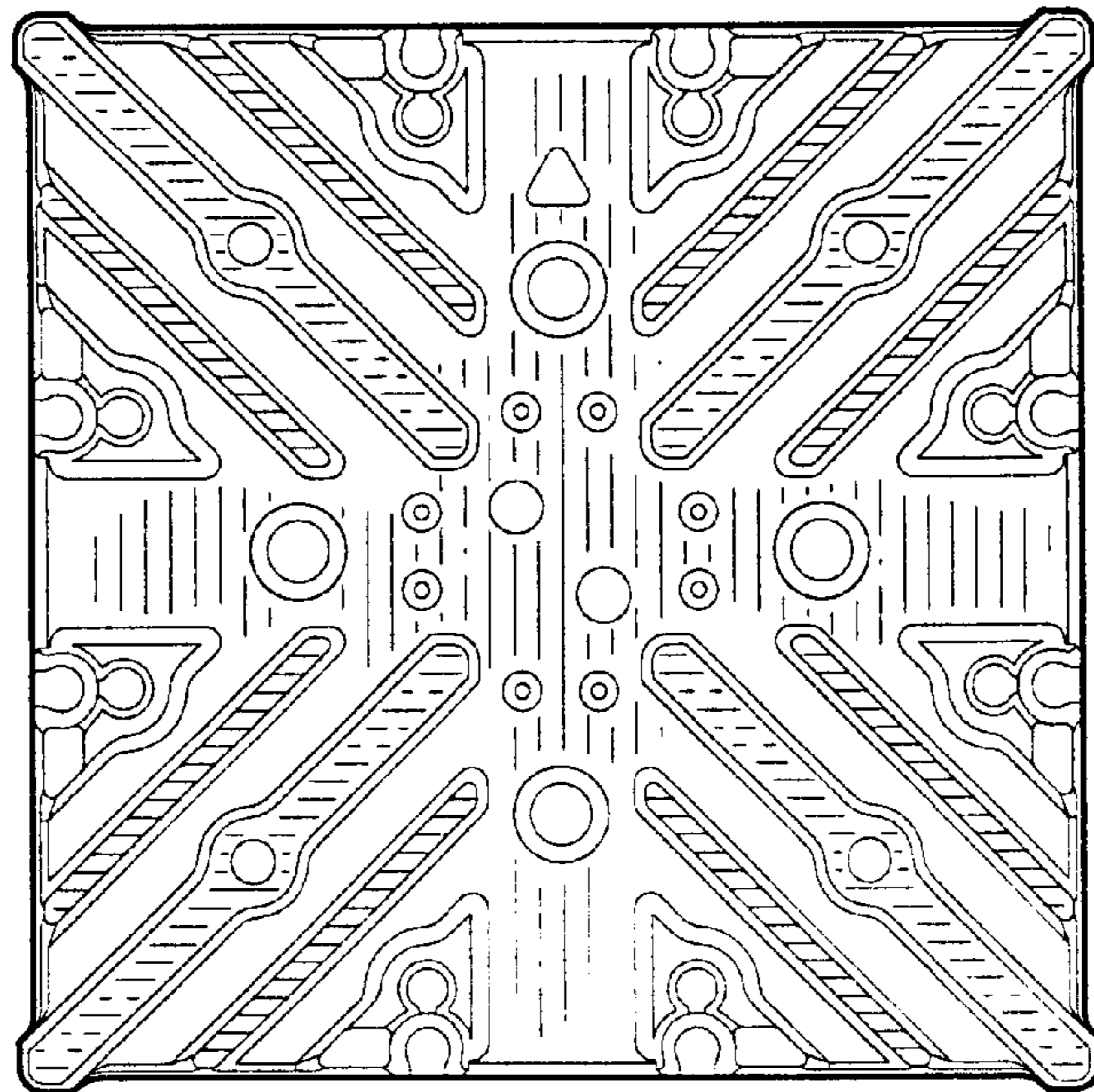


FIG. 7