

US00D508573S

(12) **United States Design Patent**
Matsui et al.

(10) **Patent No.:** **US D508,573 S**
(45) **Date of Patent:** **** Aug. 16, 2005**

(54) **LIGHT SOURCE**

(75) Inventors: **Nobuyuki Matsui, Takatsuki (JP);
Masanori Shimizu, Kyotanabe (JP)**

(73) Assignee: **Matsushita Electric Industrial Co.,
Ltd., Osaka (JP)**

(**) **Term: 14 Years**

(21) Appl. No.: **29/209,380**

(22) Filed: **Jul. 15, 2004**

(30) **Foreign Application Priority Data**

Jan. 16, 2004 (JP) 2004-000912

(51) **LOC (8) Cl.** **26-04**

(52) **U.S. Cl.** **D26/1**

(58) **Field of Search** D26/1-4; D10/114;
362/157, 158, 171-174, 183-208

(56) **References Cited**

U.S. PATENT DOCUMENTS

D250,819 S * 1/1979 Schindler et al. D26/1
D251,091 S * 2/1979 Schindler et al. D26/1
D464,744 S * 10/2002 Kato et al. D26/1

FOREIGN PATENT DOCUMENTS

JP D738378 7/1988

JP D1183708 9/2003
JP D1194733 1/2004
JP D1194734 1/2004

* cited by examiner

Primary Examiner—Marcus A. Jackson
(74) *Attorney, Agent, or Firm*—Brinks Hofer Gilson &
Lione

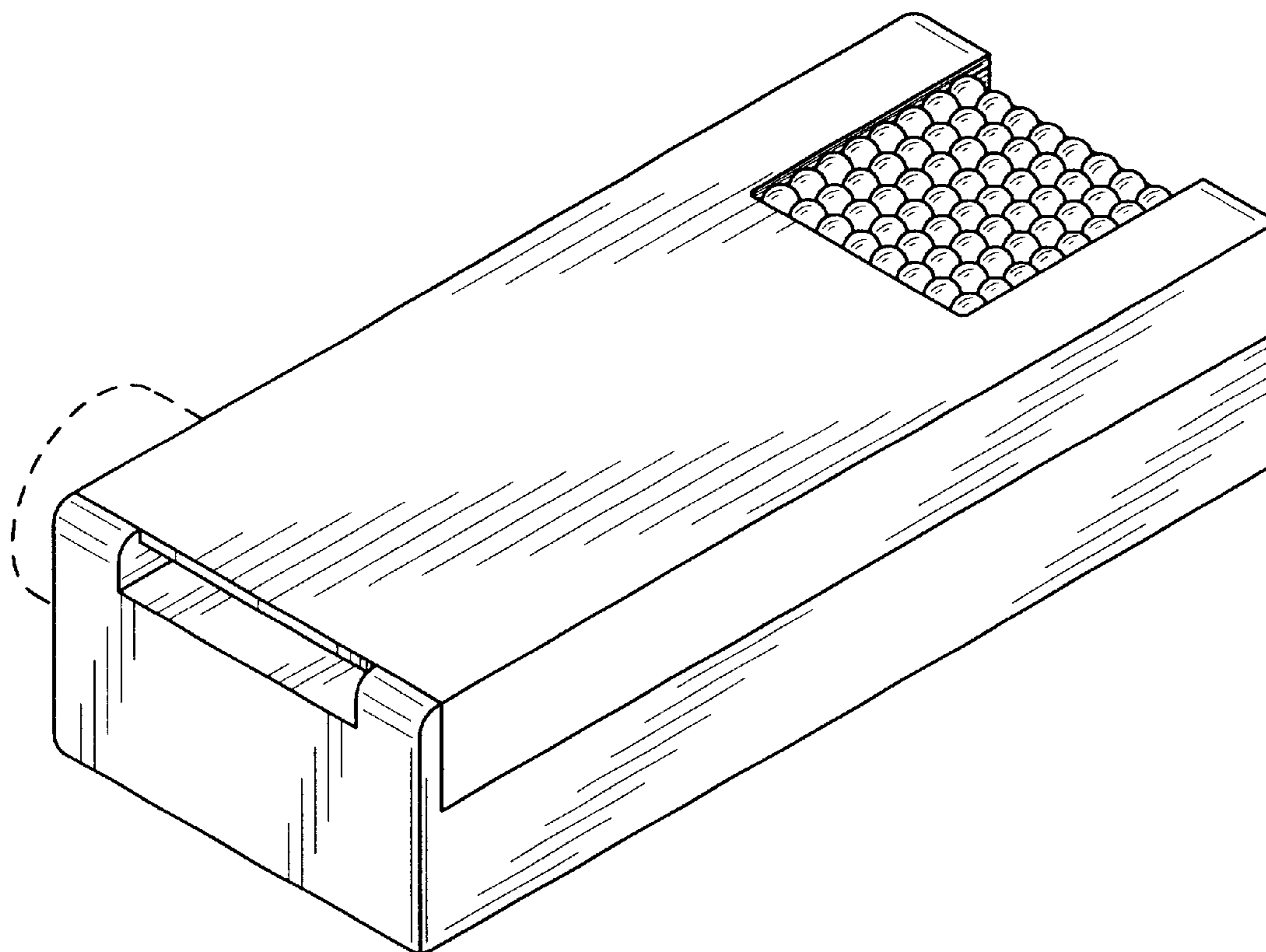
(57) **CLAIM**

The ornamental design for a light source, as shown and described.

DESCRIPTION

FIG. 1 is a top perspective view of a light source of the present invention;
FIG. 2 is a top view thereof;
FIG. 3 is a bottom view thereof;
FIG. 4 is a front view thereof oriented;
FIG. 5 is a rear view thereof;
FIG. 6 is a first side view thereof; and,
FIG. 7 is a second side view thereof.
The ornamental design which is claimed is shown in solid lines in the drawings. Any broken lines in the drawings are for illustrative purposes only and form no part of the claimed design.

1 Claim, 7 Drawing Sheets



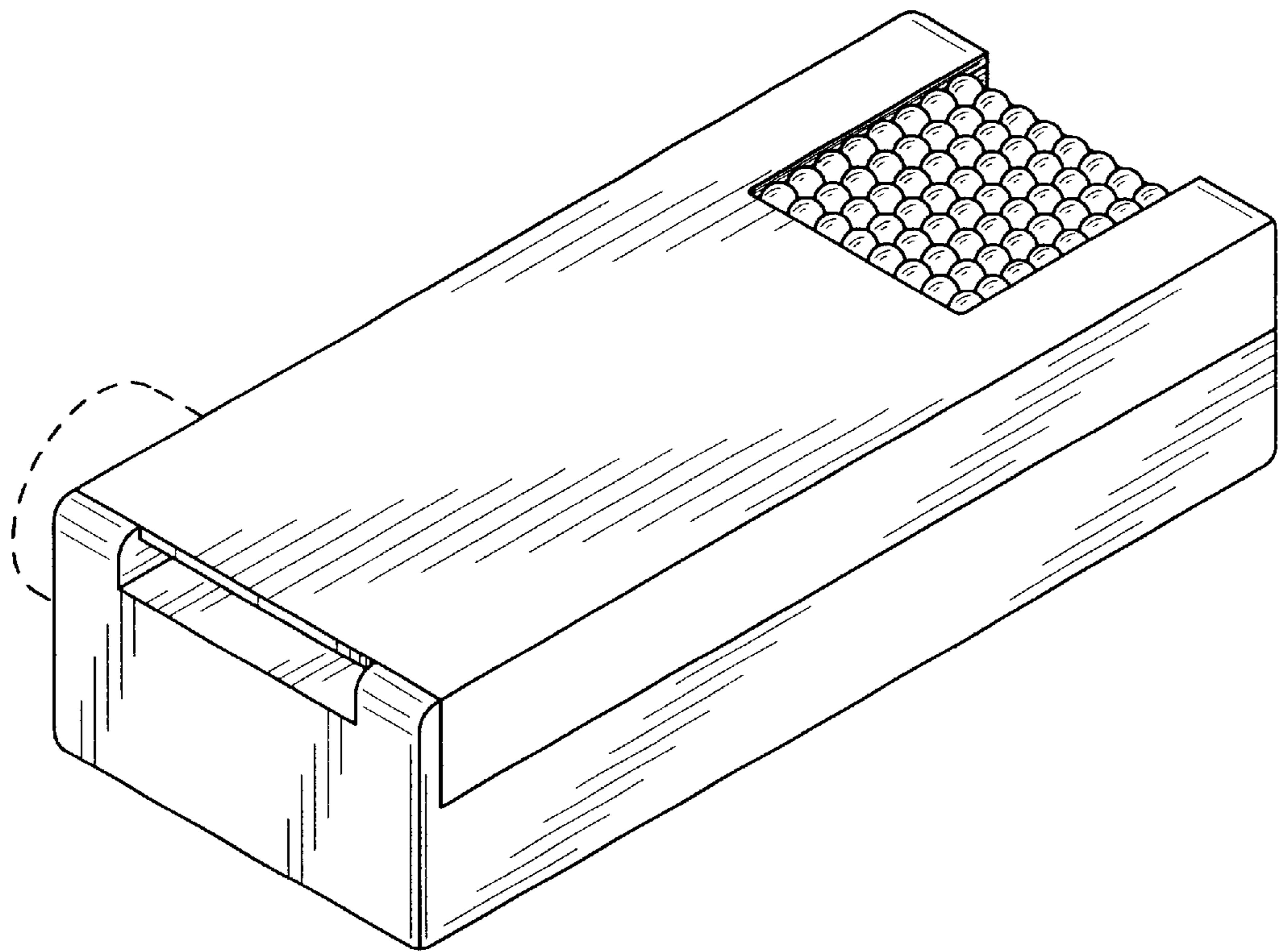


FIG. 1

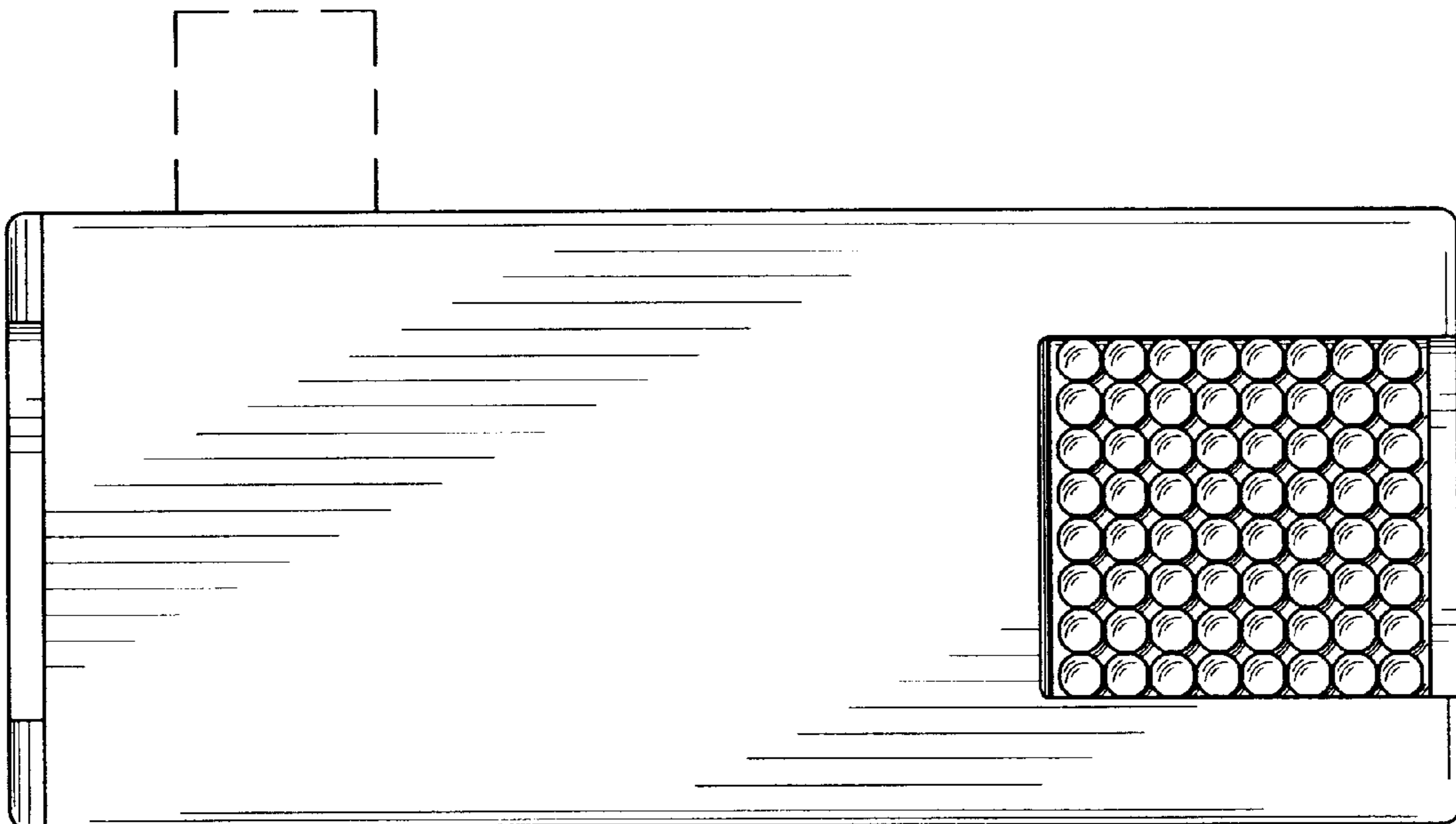


FIG. 2

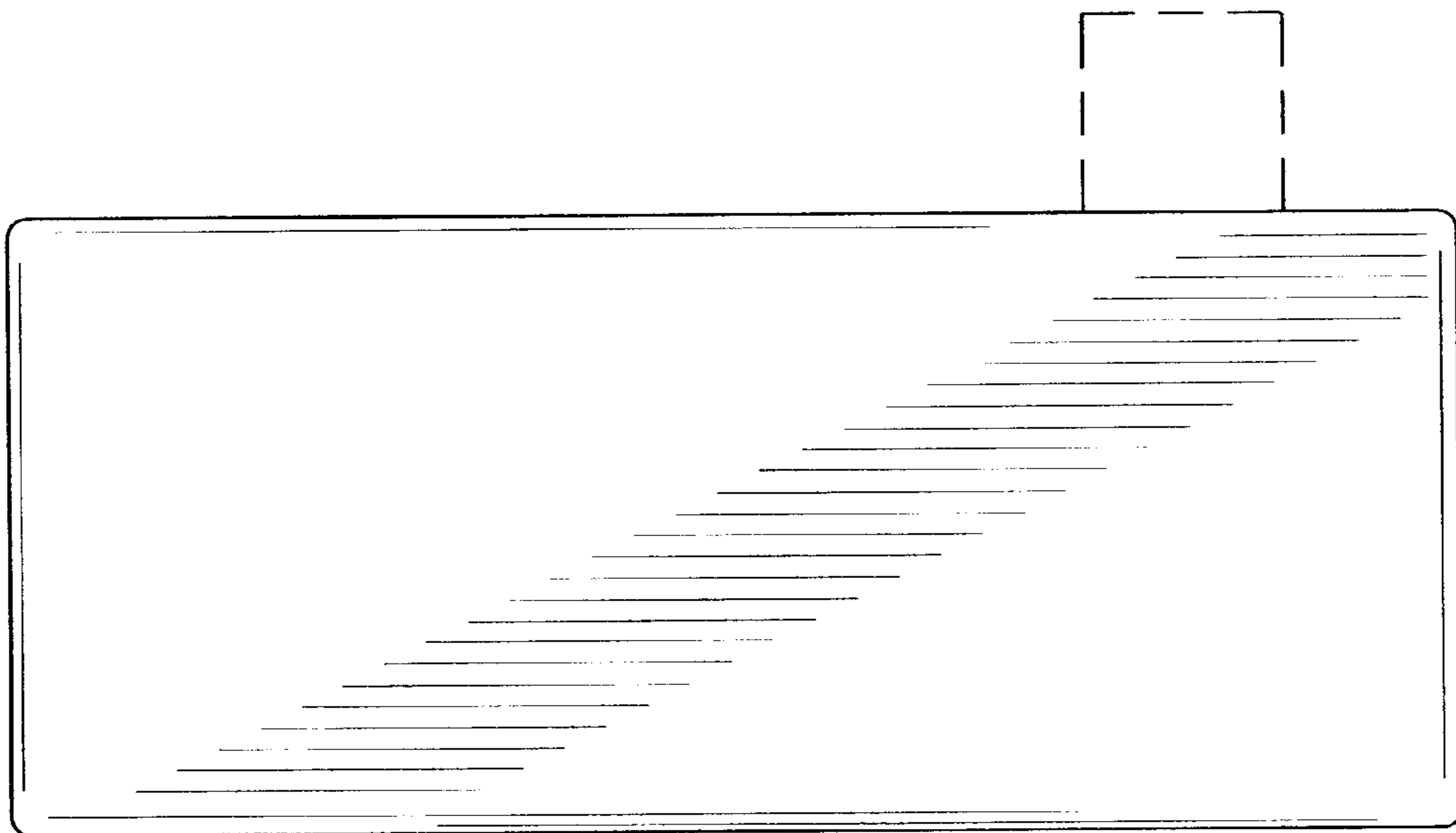


FIG. 3

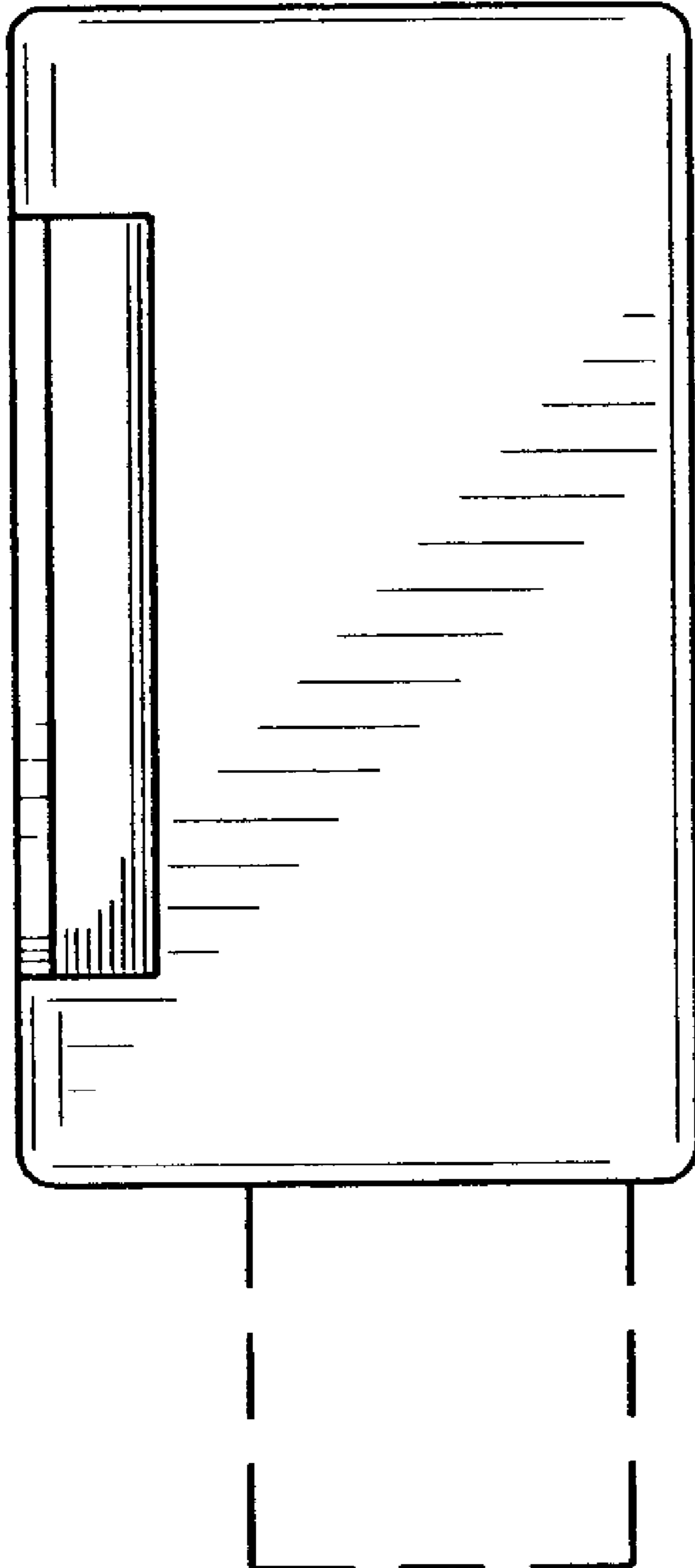


FIG. 4

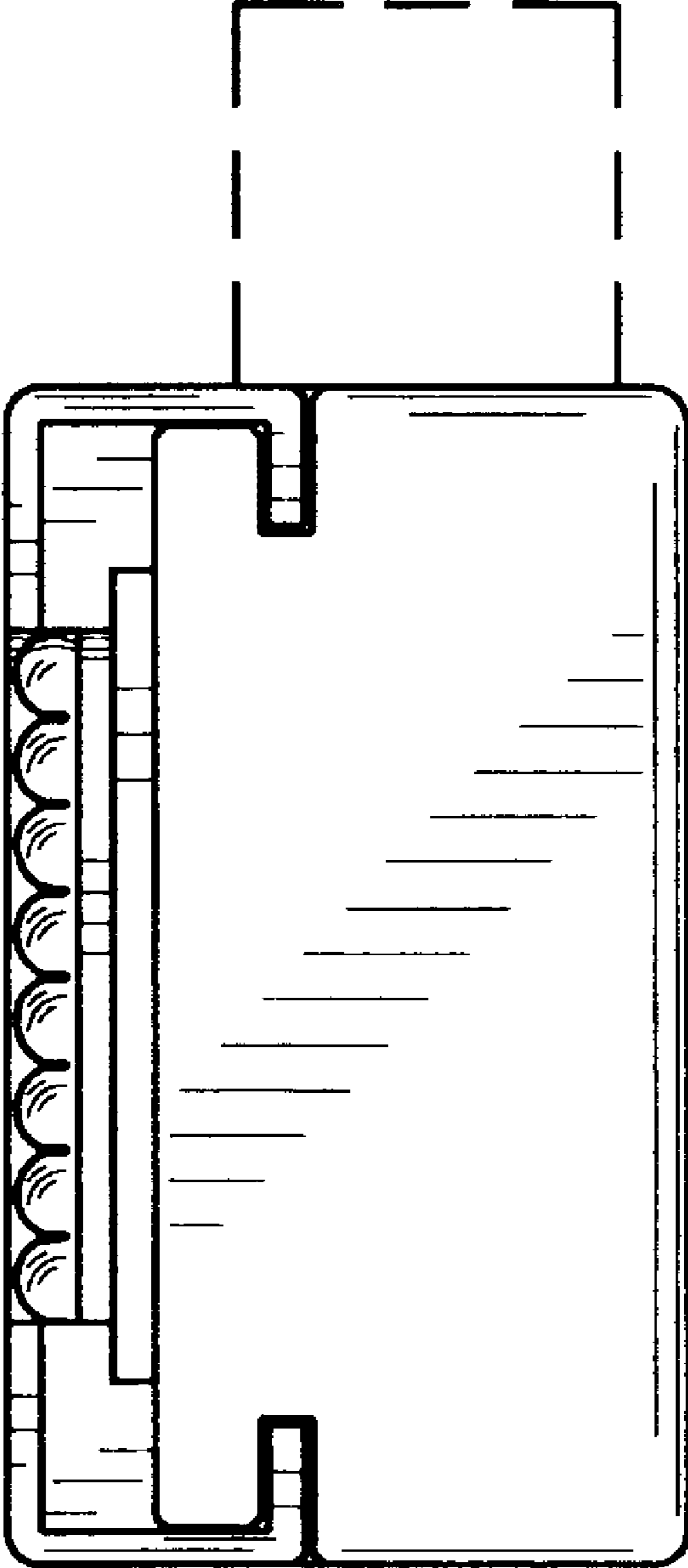


FIG. 5

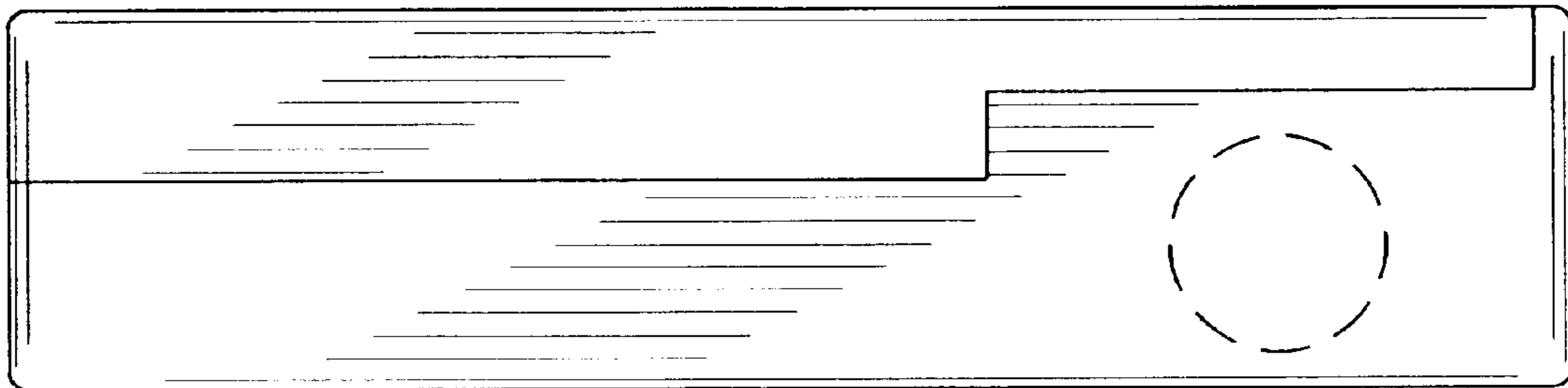


FIG. 6

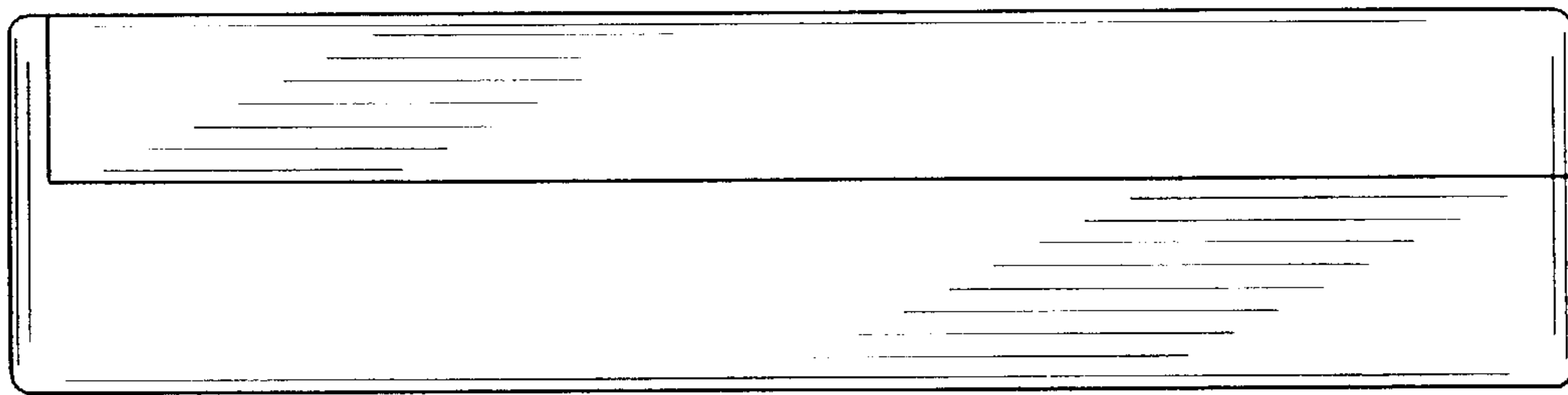


FIG. 7