



US00D508571S

(12) **United States Design Patent**  
**Weiser et al.**

(10) **Patent No.: US D508,571 S**

(45) **Date of Patent: \*\* Aug. 16, 2005**

(54) **DECK CLAMPED STANDARD**  
(75) Inventors: **Margaret Weiser**, Tarzana, CA (US);  
**Isaac Weiser**, Tarzana, CA (US);  
**Charles Vanetian**, Medway, MA (US)

5,813,163 A 9/1998 Dysarz ..... 43/21.2  
5,873,319 A 2/1999 Bentley ..... 114/230  
5,961,091 A 10/1999 Petryna et al. .... 248/523  
5,967,075 A 10/1999 Johansen ..... 114/230  
D443,937 S \* 6/2001 Prokop ..... D25/133  
6,386,608 B1 5/2002 Eister ..... 294/62

(73) Assignee: **Exhart Environmental Systems, Inc.**,  
Chatsworth, CA (US)

\* cited by examiner

(\*\*) Term: **14 Years**

*Primary Examiner*—Doris Clark

(74) *Attorney, Agent, or Firm*—Cislo & Thomas

(21) Appl. No.: **29/205,435**

(57) **CLAIM**

(22) Filed: **May 14, 2004**

I claim the ornamental design for a deck clamped standard,  
as shown and described.

(51) **LOC (8) Cl.** ..... **25-01**

(52) **U.S. Cl.** ..... **D25/133**

(58) **Field of Search** ..... D12/317, 318;  
248/688, 507, 508, 237, 230.1, 500, 519,  
539, 227.2, 228.1, 346.03; D8/394; D25/127,  
134, 131, 132, 133

**DESCRIPTION**

FIG. 1. Is a perspective view of my deck clamped standard  
design;

FIG. 2. Is a top view thereof

FIG. 3. Is a bottom view thereof;

FIG. 4. Is a front view thereof;

FIG. 5. Is a rear view thereof;

FIG. 6. Is a right side view thereof; and,

FIG. 7. Is a left side view thereof.

The broken line portions of the disclosure are for illustrative  
purposes only and form no part of the claimed design.

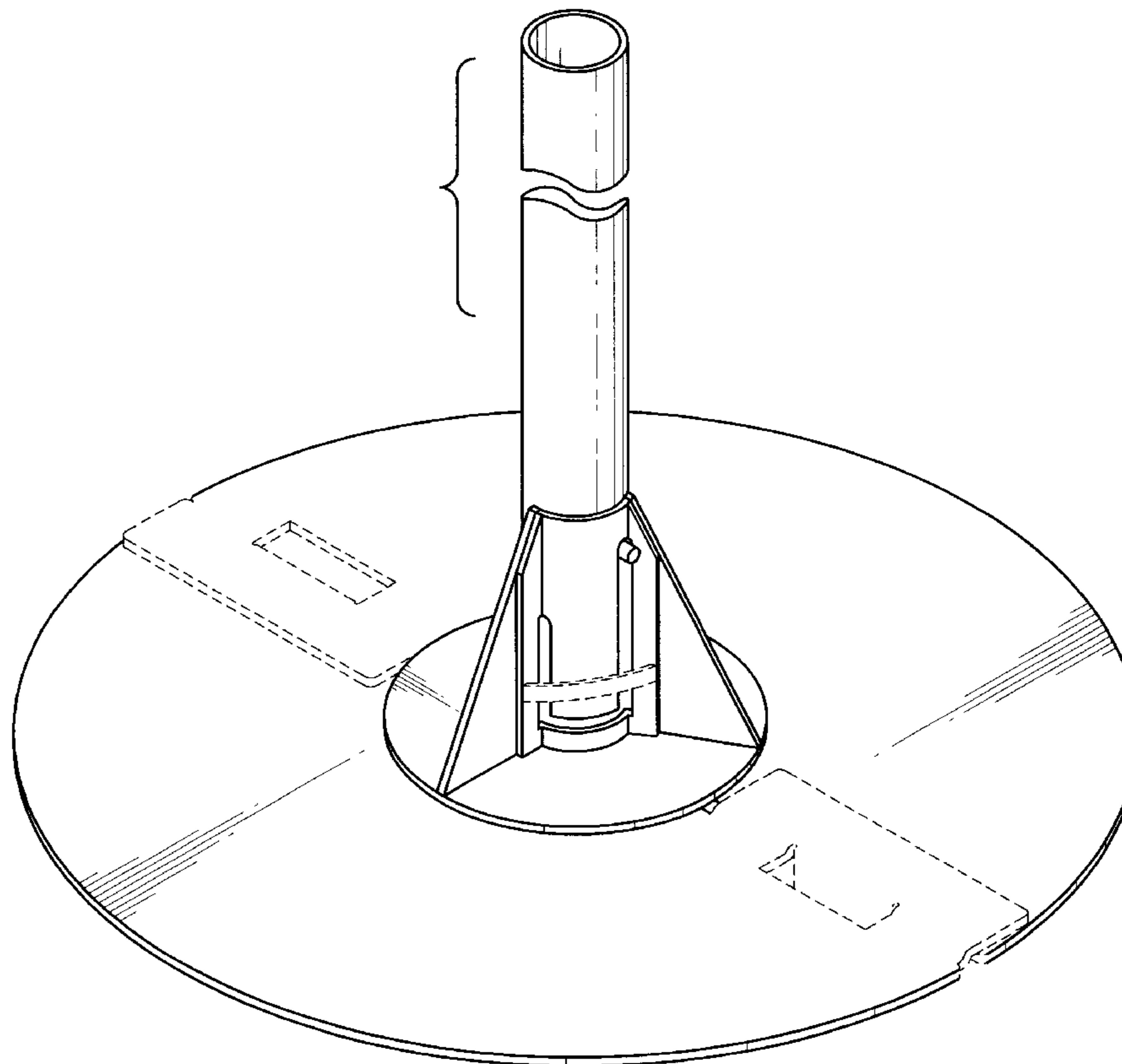
The standard is broken near the end to indicate indefinite  
length.

(56) **References Cited**

**U.S. PATENT DOCUMENTS**

3,693,807 A \* 9/1972 Larson ..... 211/163  
4,235,409 A 11/1980 Cummings ..... 248/538  
4,297,963 A 11/1981 Beacom ..... 114/230  
5,120,016 A 6/1992 Dysarz ..... 248/539  
5,690,042 A 11/1997 Bentley ..... 114/230  
5,746,031 A \* 5/1998 Burns ..... 52/170

**1 Claim, 7 Drawing Sheets**



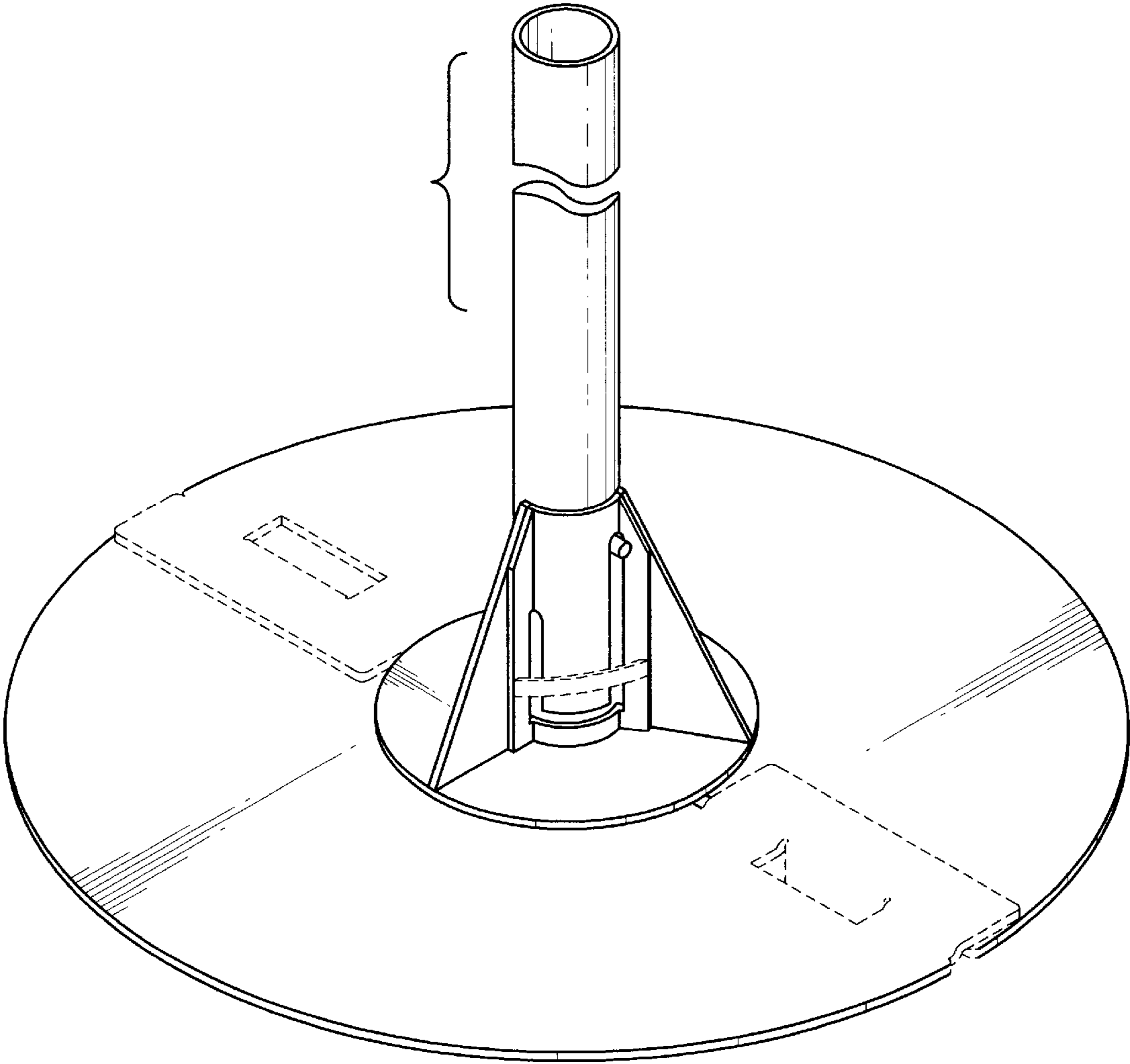


FIG. 1

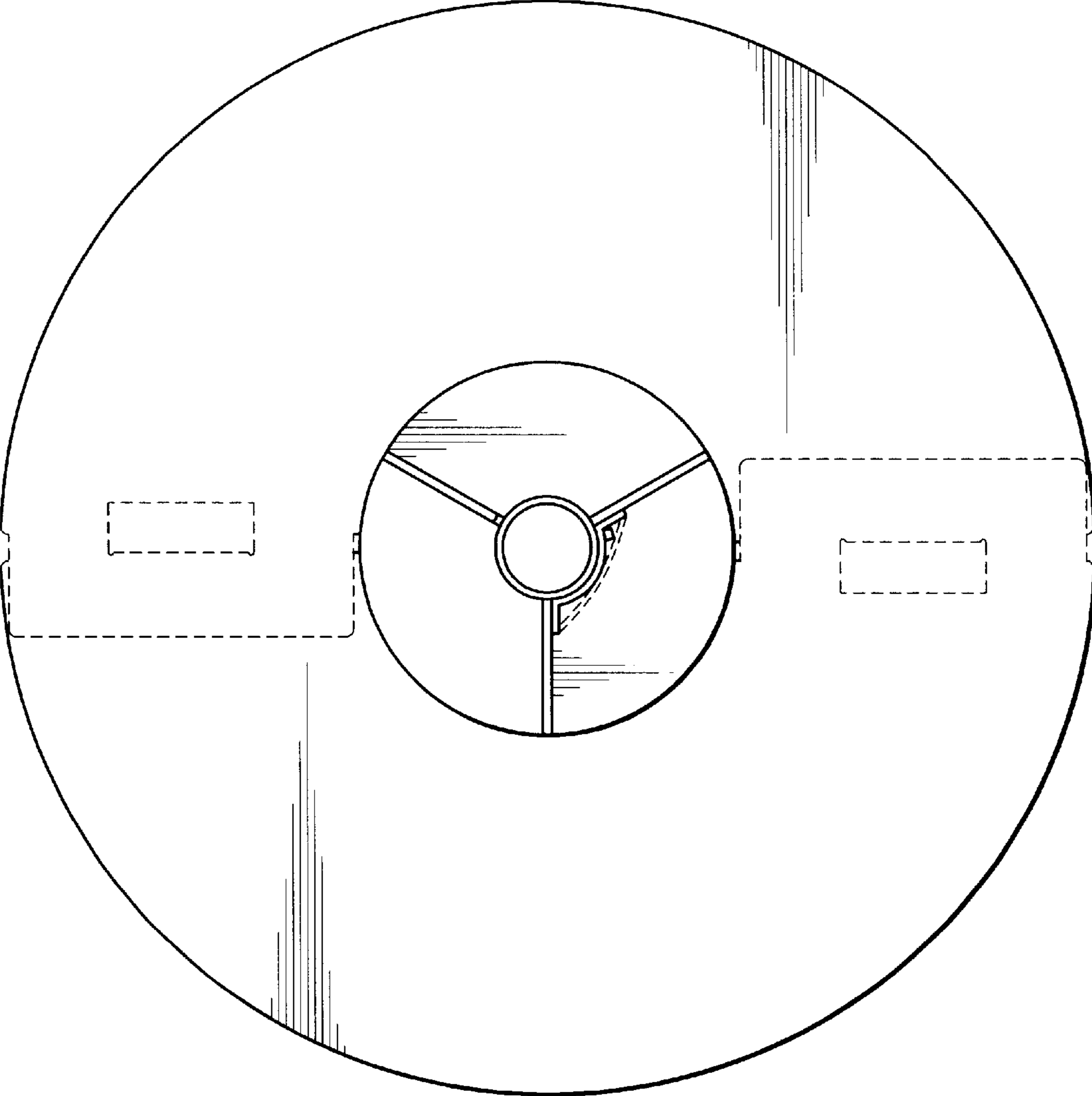


FIG. 2

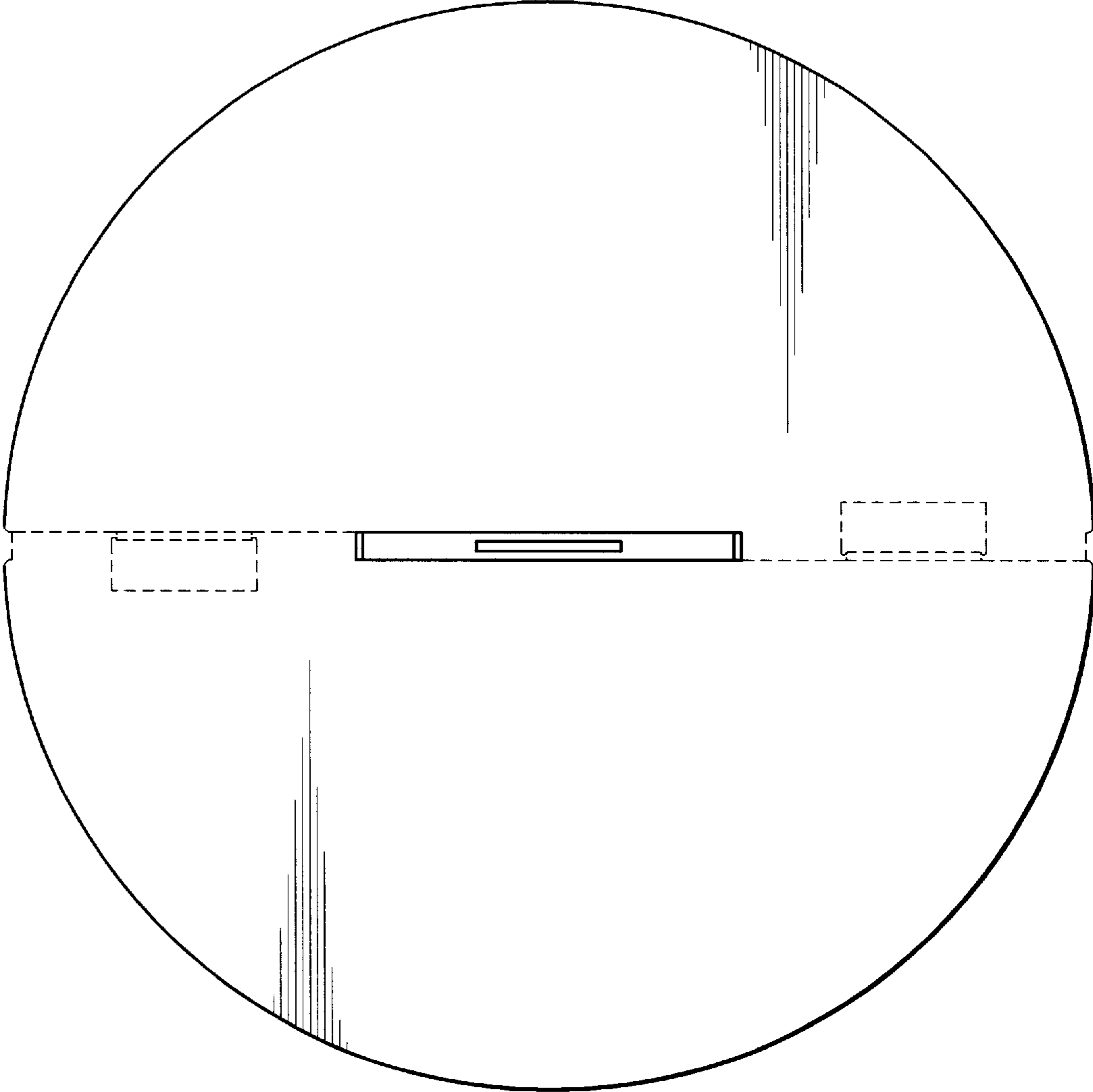


FIG. 3

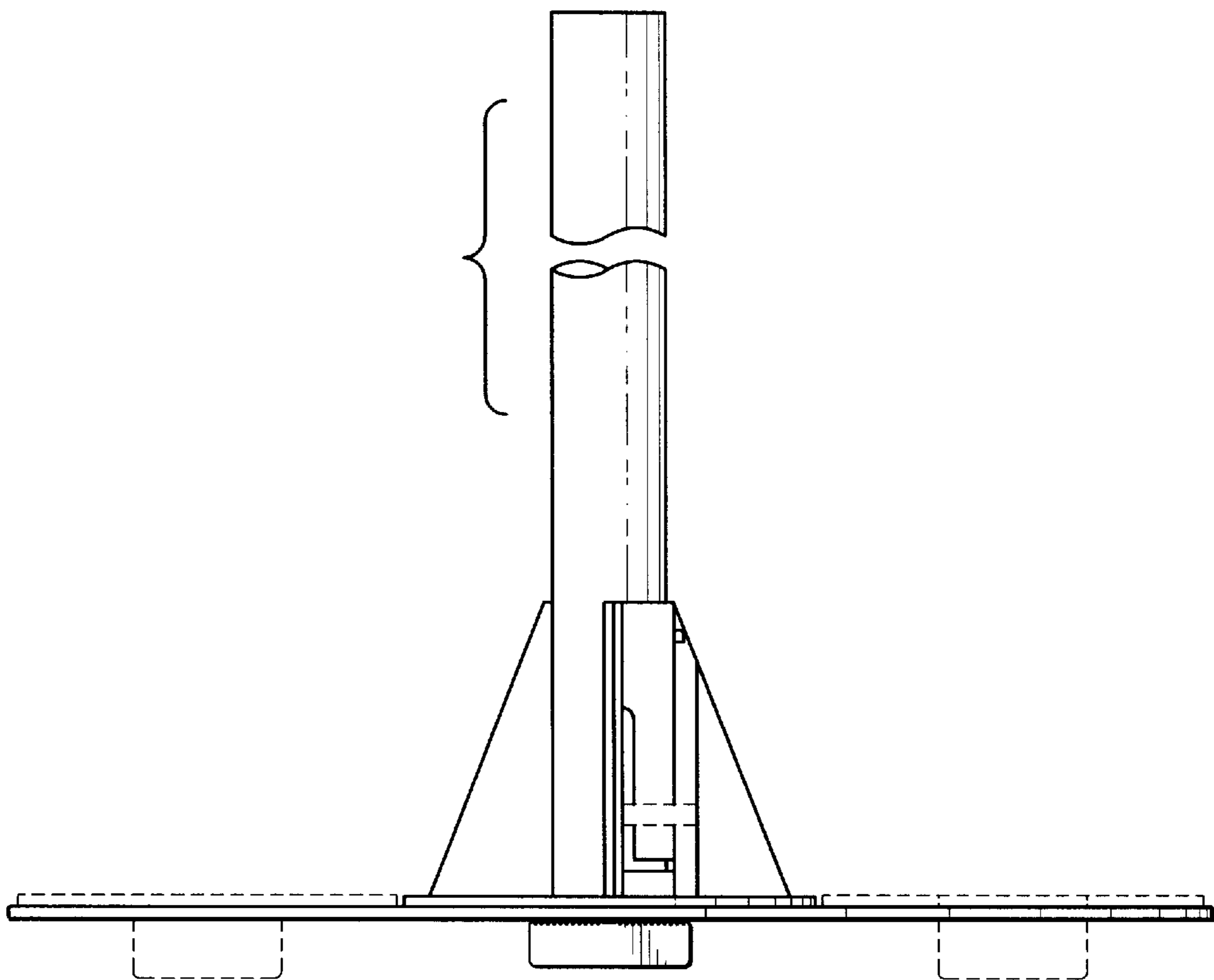


FIG. 4

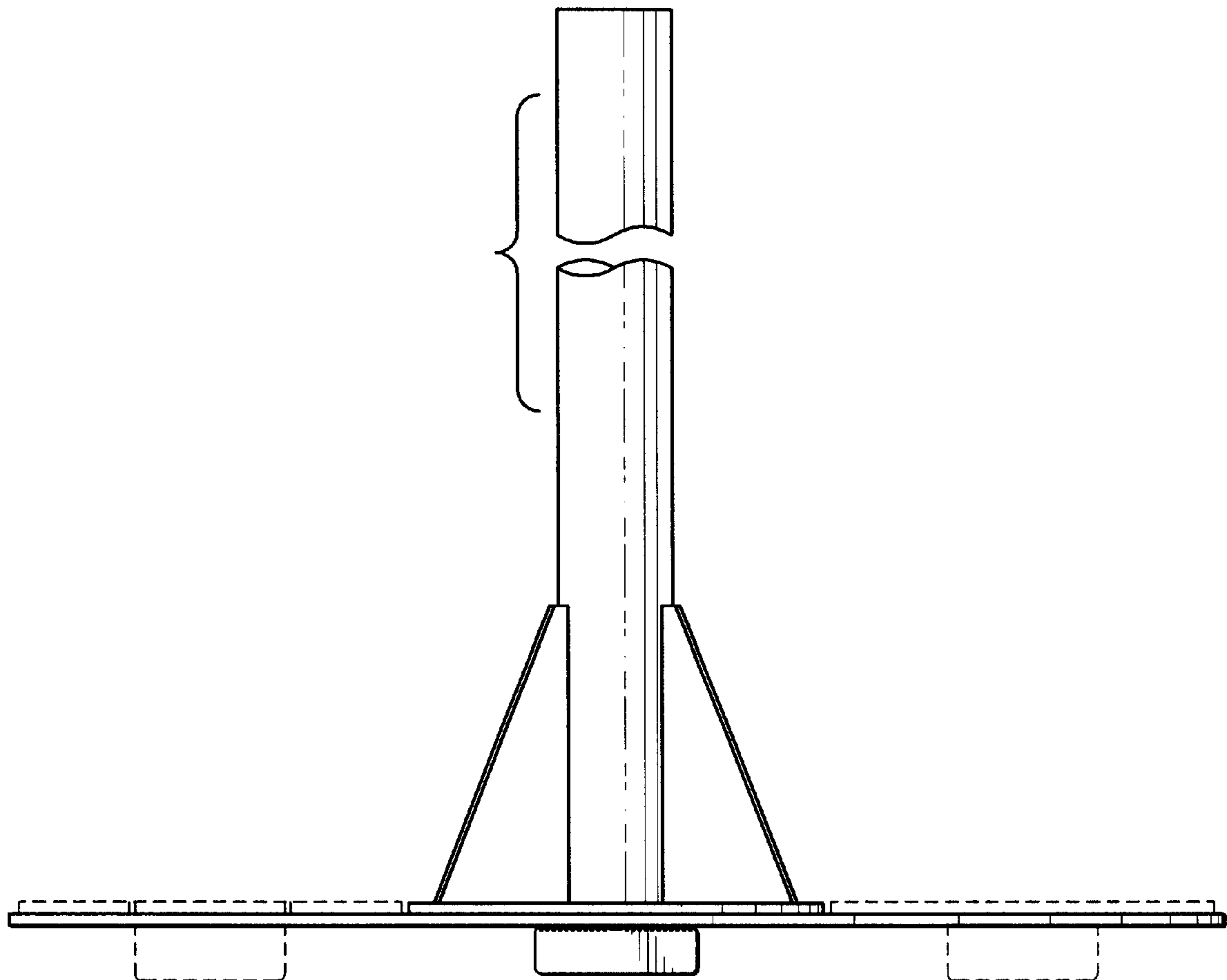


FIG. 5

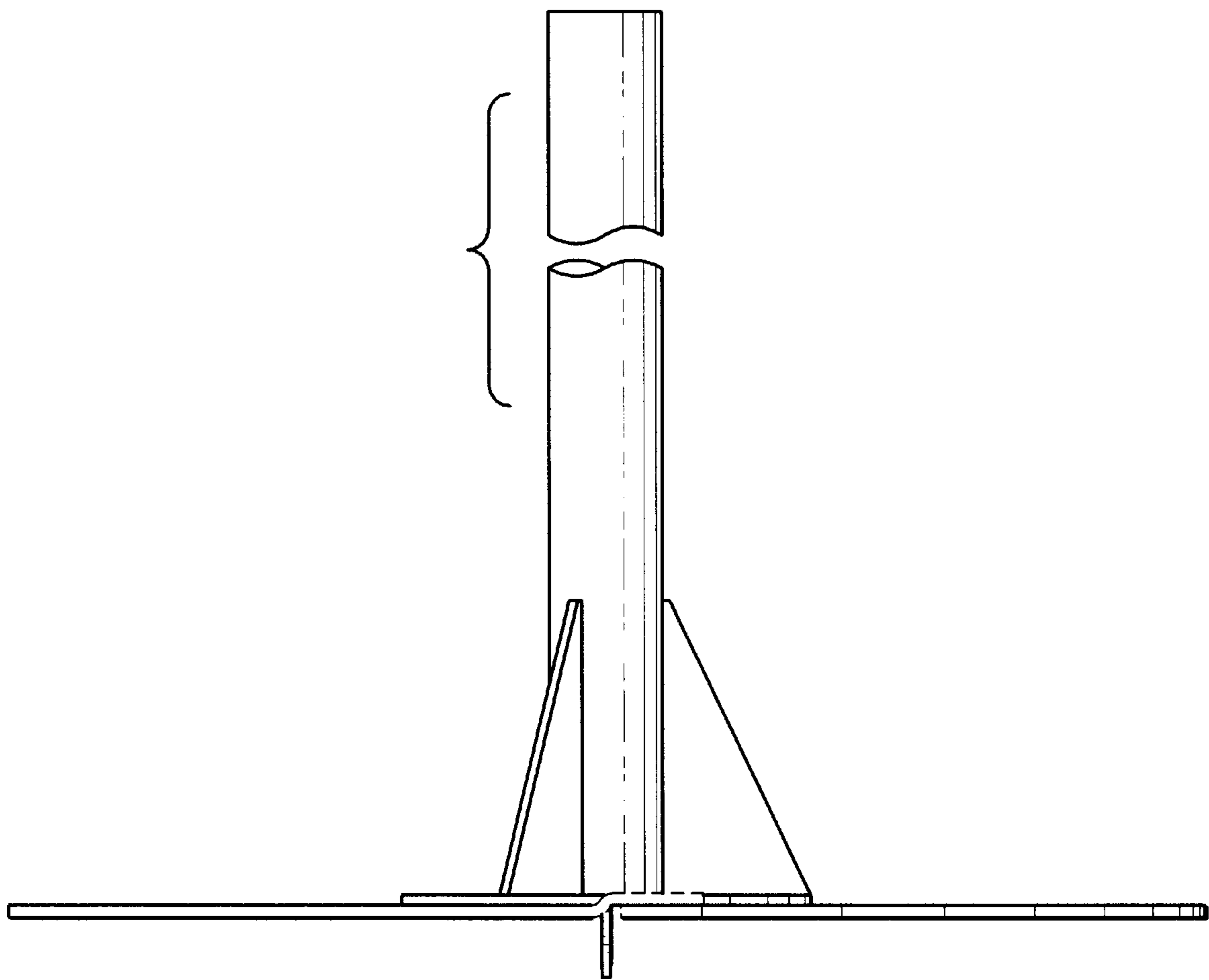


FIG. 6

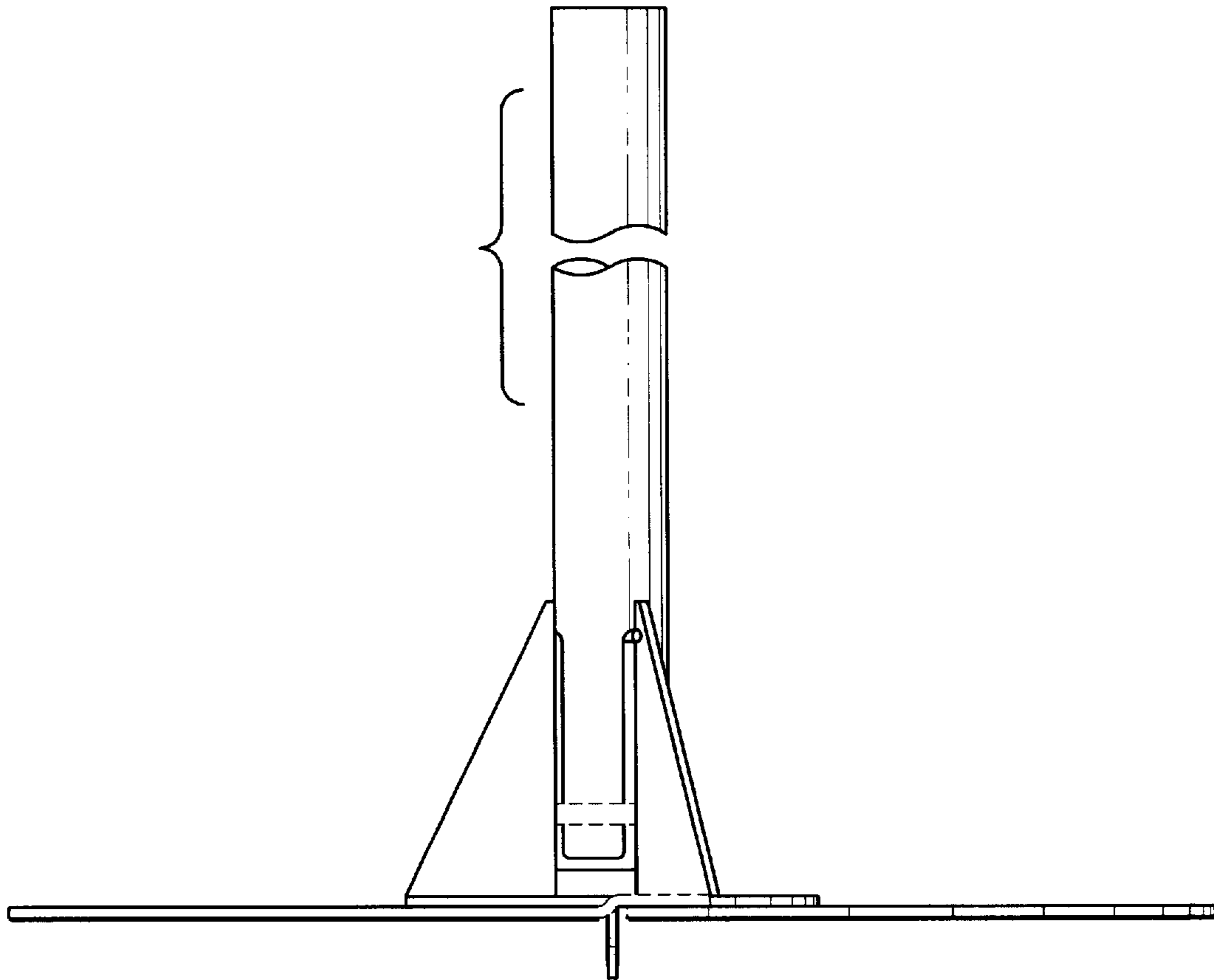


FIG. 7