

US00D508557S

(12) **United States Design Patent** (10) **Patent No.:** **US D508,557 S**  
**Morrill** (45) **Date of Patent:** **\*\* Aug. 16, 2005**

(54) **FACEPLATE FOR VOLATILE ACTIVES DISPENSER**  
(75) Inventor: **Shawn Morrill**, Northbrook, IL (US)  
(73) Assignee: **S. C. Johnson & Son, Inc.**, Racine, WI (US)  
(\*\*) Term: **14 Years**  
(21) Appl. No.: **29/199,402**  
(22) Filed: **Feb. 13, 2004**  
(51) **LOC (8) Cl.** ..... **23-04**  
(52) **U.S. Cl.** ..... **D23/366**  
(58) **Field of Search** ..... 239/135, 136, 239/58; 261/DIG. 17, DIG. 65; D23/356-369; 392/390, 392

6,349,168 B1 2/2002 Jaworski  
6,374,045 B2 4/2002 Basaganas Millan  
6,381,408 B1 4/2002 Jaworski et al.  
D459,459 S \* 6/2002 Yamada et al. .... D23/366  
6,446,583 B2 9/2002 Vieira  
6,487,367 B2 11/2002 Vieira  
6,501,906 B2 12/2002 Vieira  
6,563,091 B2 5/2003 Vieira  
D484,583 S \* 12/2003 Hunt et al. .... D23/360  
D493,876 S \* 8/2004 Wirthman et al. .... D23/366  
D493,877 S \* 8/2004 Wirthman et al. .... D23/366  
D497,422 S \* 10/2004 Wirthman et al. .... D23/366  
D501,545 S \* 2/2005 Wirthman et al. .... D23/366  
2002/0076214 A1 6/2002 Vieira  
2003/0063902 A1 4/2003 Pedrotti et al.  
2003/0156830 A1 8/2003 Cox et al.  
2003/0194225 A1 10/2003 Pedrotti et al.  
2003/0231876 A1 12/2003 Basaganas Millan  
2004/0005146 A1 1/2004 Wefler  
2004/0021001 A1 2/2004 Zobebe

(56) **References Cited**  
U.S. PATENT DOCUMENTS

2,513,919 A 7/1950 Costello  
3,002,080 A 9/1961 Heinizg  
4,731,520 A 3/1988 Glucksman et al.  
5,136,684 A 8/1992 Lonker et al.  
D332,138 S \* 12/1992 Lonker et al. .... D23/366  
D334,792 S \* 4/1993 Flemming ..... D22/146  
5,201,025 A \* 4/1993 Landesberg ..... 392/392  
5,213,523 A 5/1993 Hygema et al.  
D346,207 S \* 4/1994 Martin ..... D23/367  
5,521,357 A 5/1996 Lock et al.  
5,522,008 A 5/1996 Bernard  
5,556,192 A 9/1996 Wang  
5,577,156 A 11/1996 Costello  
5,903,710 A 5/1999 Wefler et al.  
5,937,140 A 8/1999 Leonard et al.  
5,945,094 A 8/1999 Martin et al.  
6,044,202 A 3/2000 Junkel  
6,085,026 A 7/2000 Hammons et al.  
6,097,881 A 8/2000 DeWitt et al.  
6,141,496 A 10/2000 Sundberg et al.  
6,289,176 B1 9/2001 Marttter et al.

\* cited by examiner

*Primary Examiner*—Antoine Duval Davis  
*Assistant Examiner*—Sandra Snapp

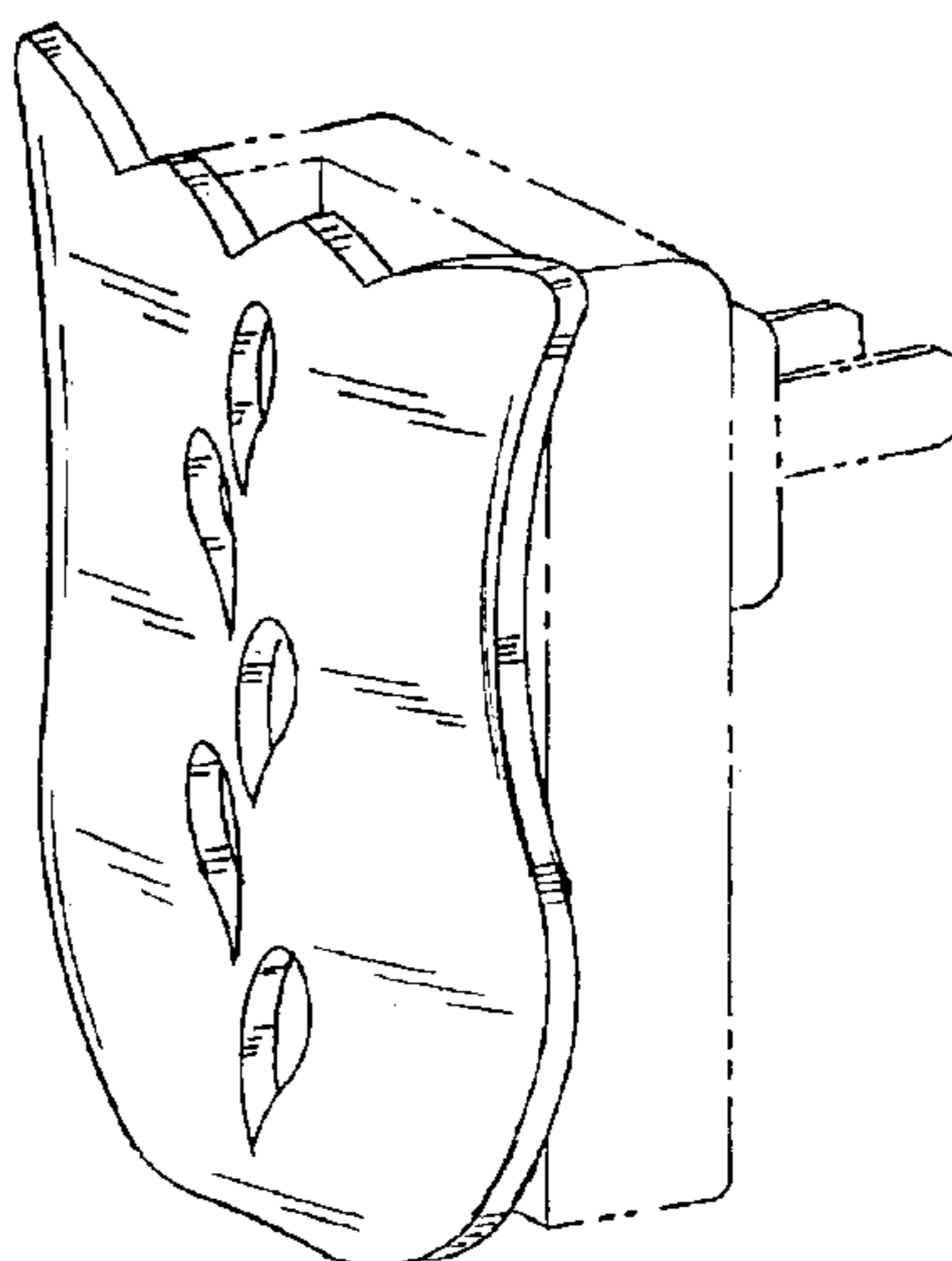
(57) **CLAIM**

The ornamental design for the faceplate for volatile actives dispenser, as shown and described.

**DESCRIPTION**

FIG. 1 is a front perspective view of the faceplate showing the new design.  
FIG. 2 is a front view of the faceplate of FIG. 1.  
FIG. 3 is a rear view of the faceplate of FIG. 1.  
FIG. 4 is a top view of the faceplate of FIG. 1.  
FIG. 5 is a bottom view of the faceplate of FIG. 1.  
FIG. 6 is a left side view of the faceplate of FIG. 1; and, FIG. 7 is a right side view of the faceplate of FIG. 1.  
Detail shown by the dotted lines in FIG. 1 and FIG. 3-7 form no part of the design and are shown only for reference purposes.

**1 Claim, 3 Drawing Sheets**



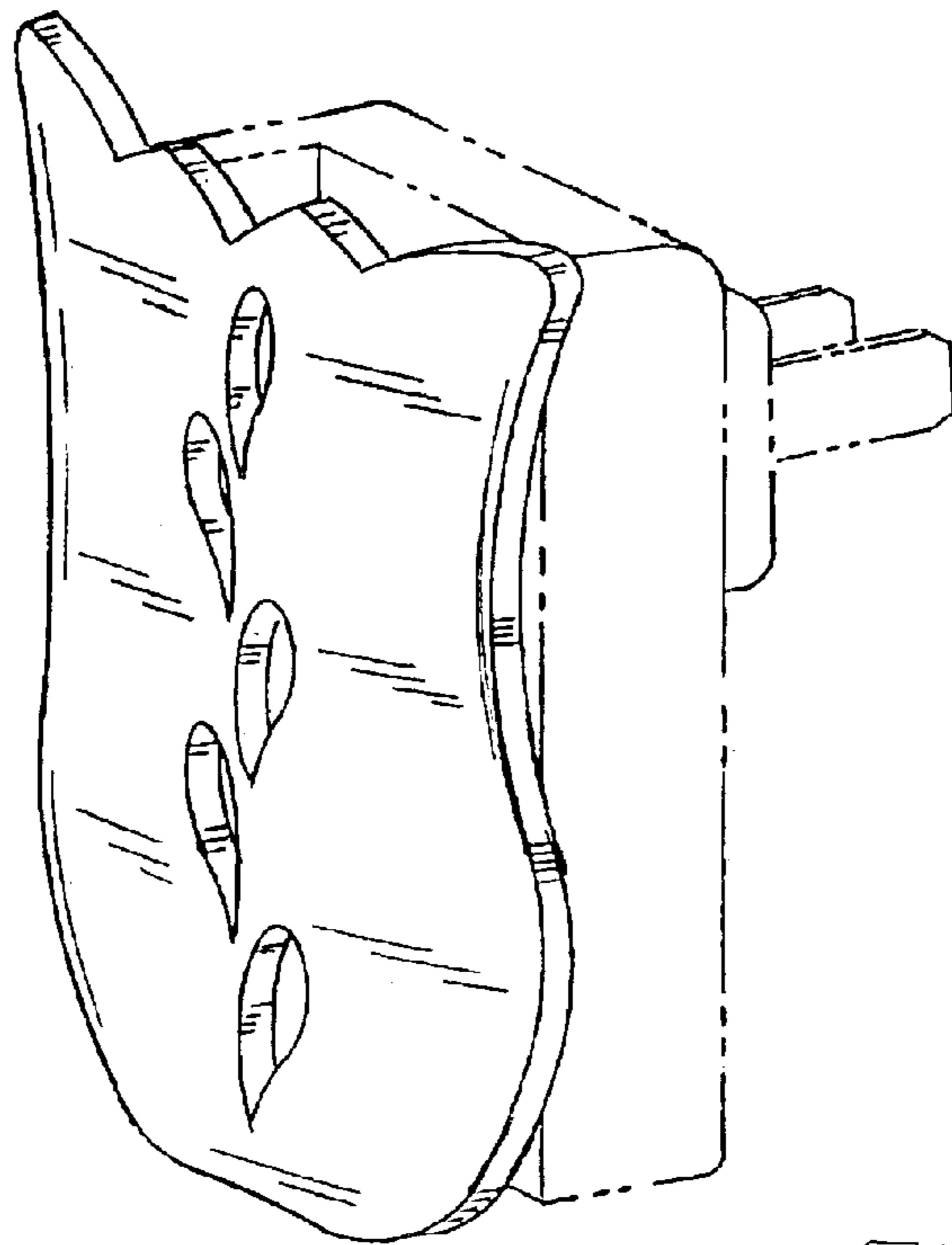


FIG. 1

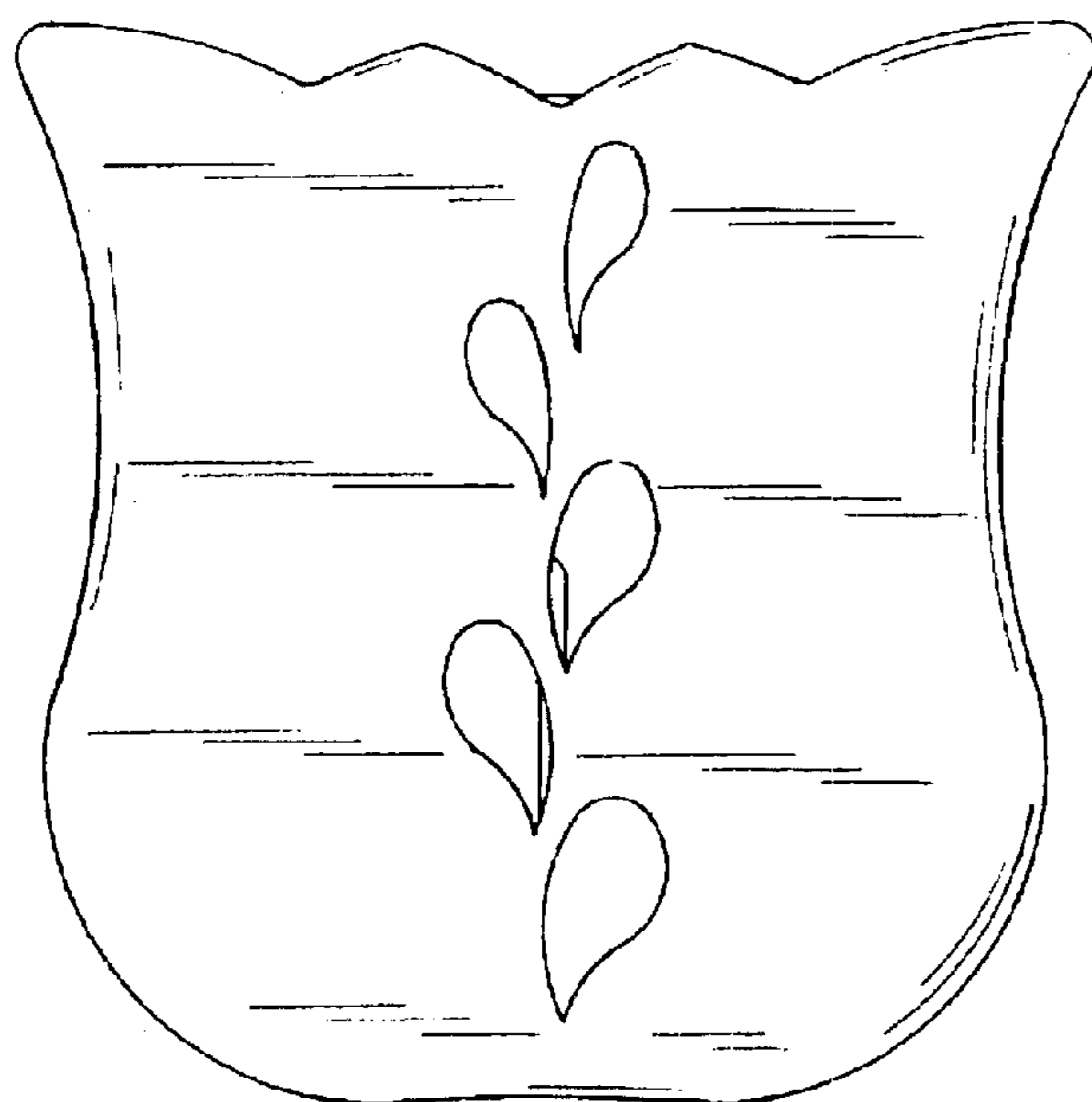


FIG. 2

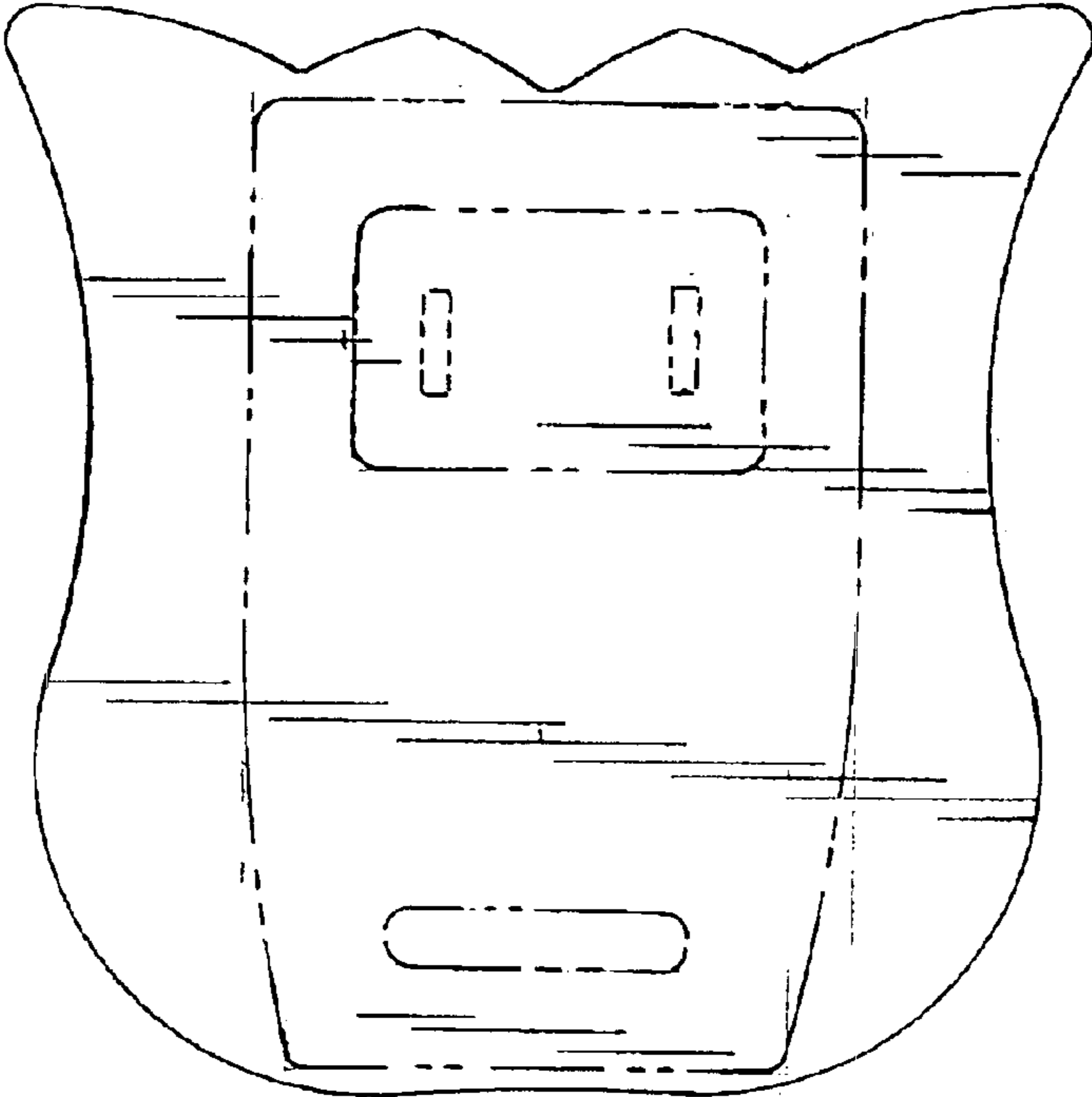


FIG. 3

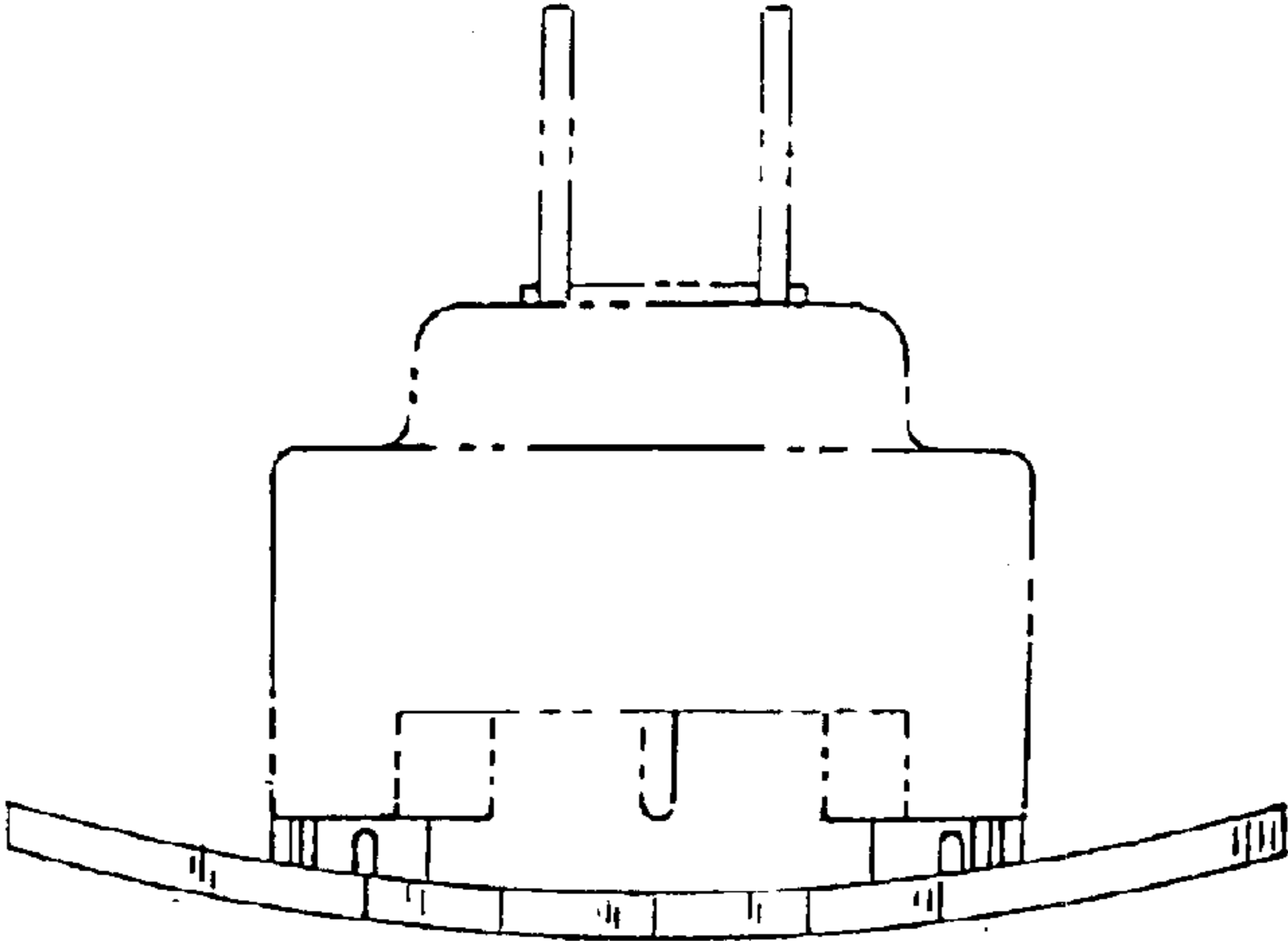


FIG. 4

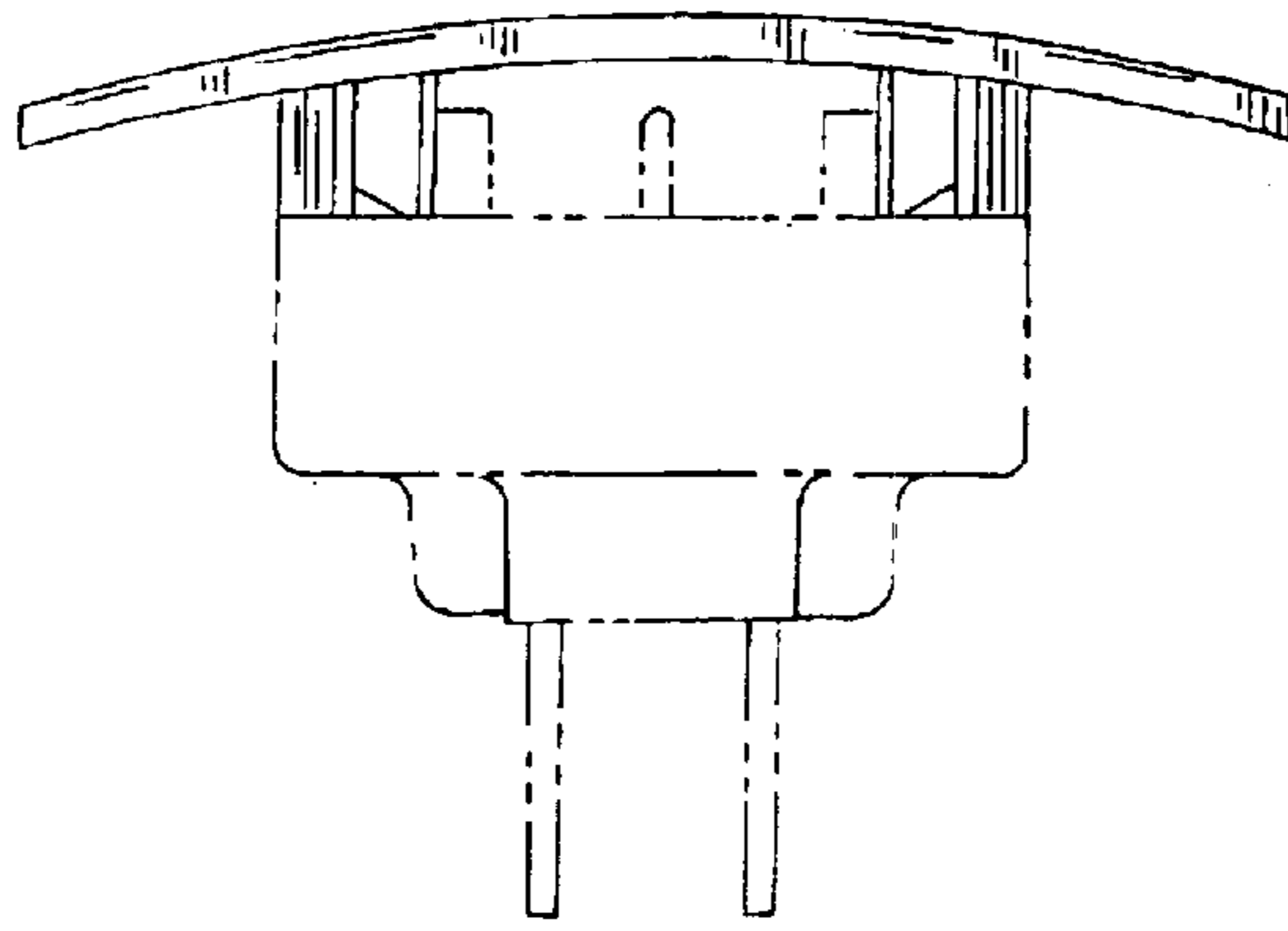


FIG. 5

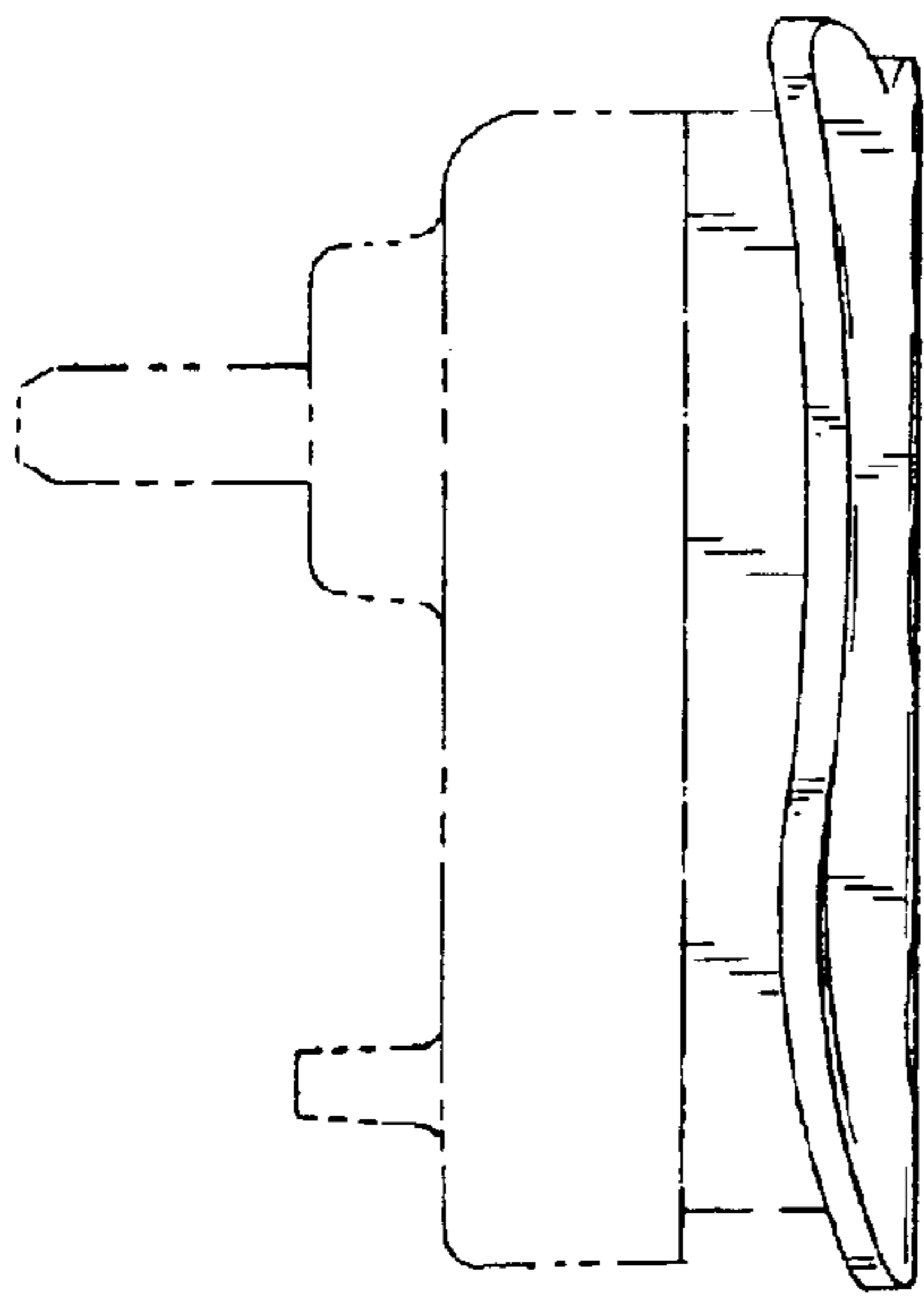


FIG. 6

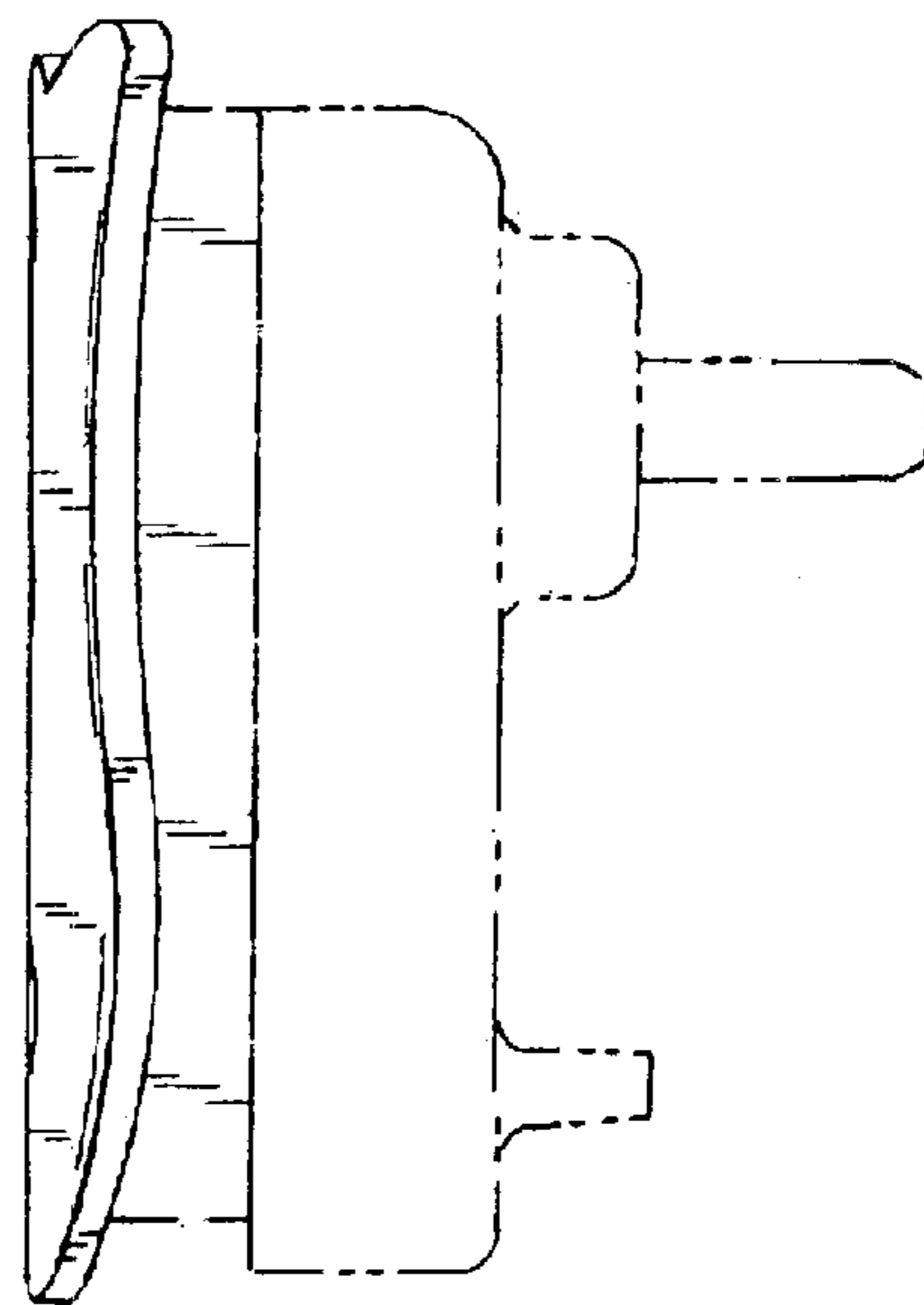


FIG. 7