

US00D508554S

(12) **United States Design Patent**  
**Kennard**

(10) **Patent No.:** **US D508,554 S**

(45) **Date of Patent:** **\*\* Aug. 16, 2005**

(54) **FAUCET HANDLE AND BASE**

D428,118 S \* 7/2000 McKeone ..... D23/252  
D458,346 S \* 6/2002 Mullenmeister ..... D23/252

(75) **Inventor:** **Dan Kennard**, Norcross, GA (US)

\* cited by examiner

(73) **Assignee:** **Fusion Hardware Group, Inc.**,  
Norcross, GA (US)

*Primary Examiner*—Louis S. Zarfes

*Assistant Examiner*—Gregory Andoll

(\*\*) **Term:** **14 Years**

(74) *Attorney, Agent, or Firm*—Troxell Law Office PLLC

(21) **Appl. No.:** **29/206,820**

(57) **CLAIM**

(22) **Filed:** **Jun. 4, 2004**

The ornamental design for faucet handle and base, as shown and described.

(51) **LOC (8) Cl.** ..... **23-01**

**DESCRIPTION**

(52) **U.S. Cl.** ..... **D23/252**

(58) **Field of Search** ..... D23/238–243,  
D23/245, 250–257; D8/300–322, 350–353,  
DIG. 3; 16/110.1; 4/675–678; 137/801

FIG. 1 is a perspective view of faucet handle and base showing my new design;

FIG. 2 is a front elevational view thereof;

FIG. 3 is a rear elevational view thereof;

FIG. 4 is a left elevational view thereof;

FIG. 5 is a right elevational view thereof;

FIG. 6 is a top plan view thereof; and,

FIG. 7 is a bottom plan view thereof.

(56) **References Cited**

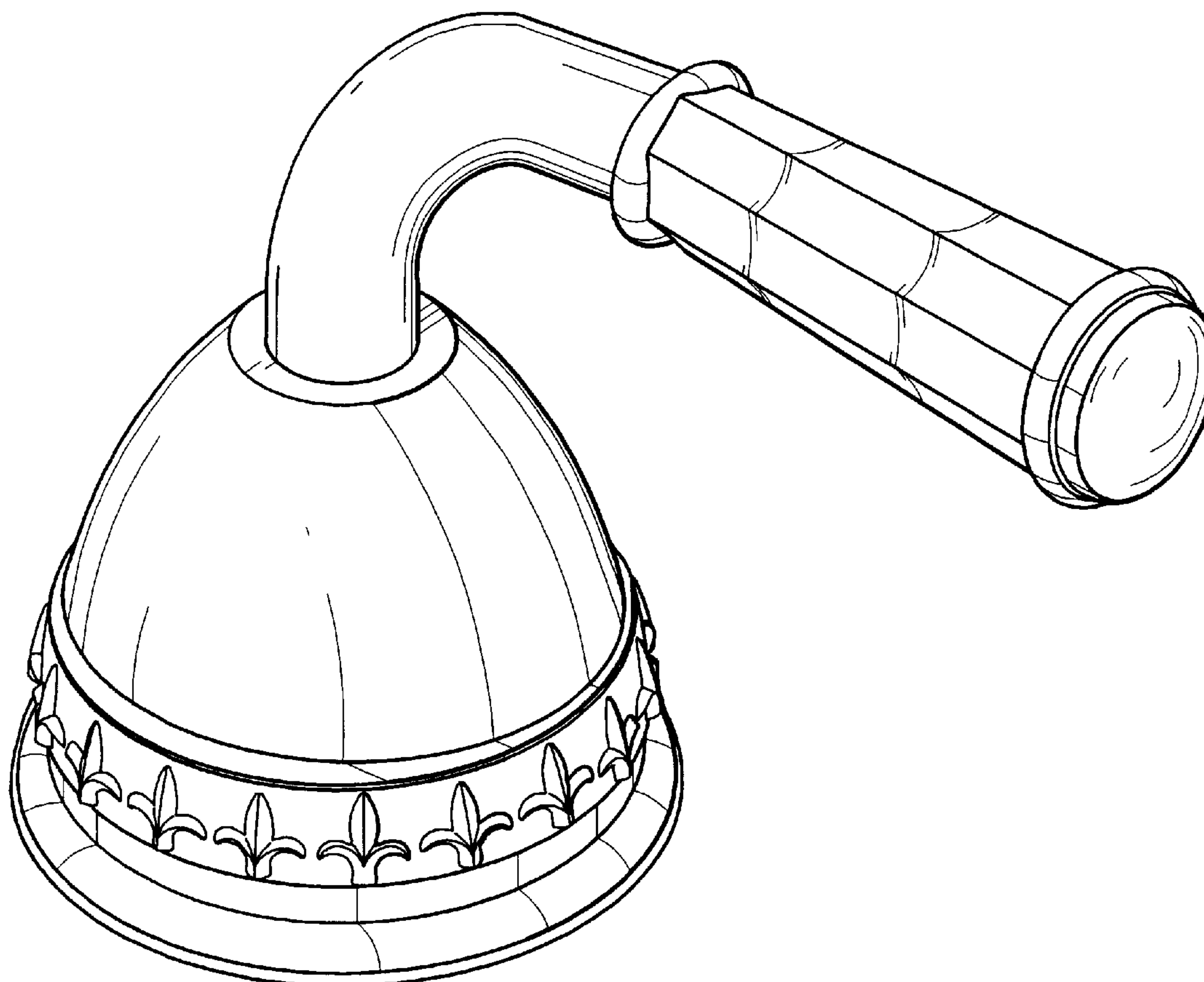
**U.S. PATENT DOCUMENTS**

D364,217 S \* 11/1995 Dubin ..... D23/252

D391,351 S \* 2/1998 Ko ..... D23/250

D395,812 S \* 7/1998 Doughty et al. .... D8/321

**1 Claim, 4 Drawing Sheets**



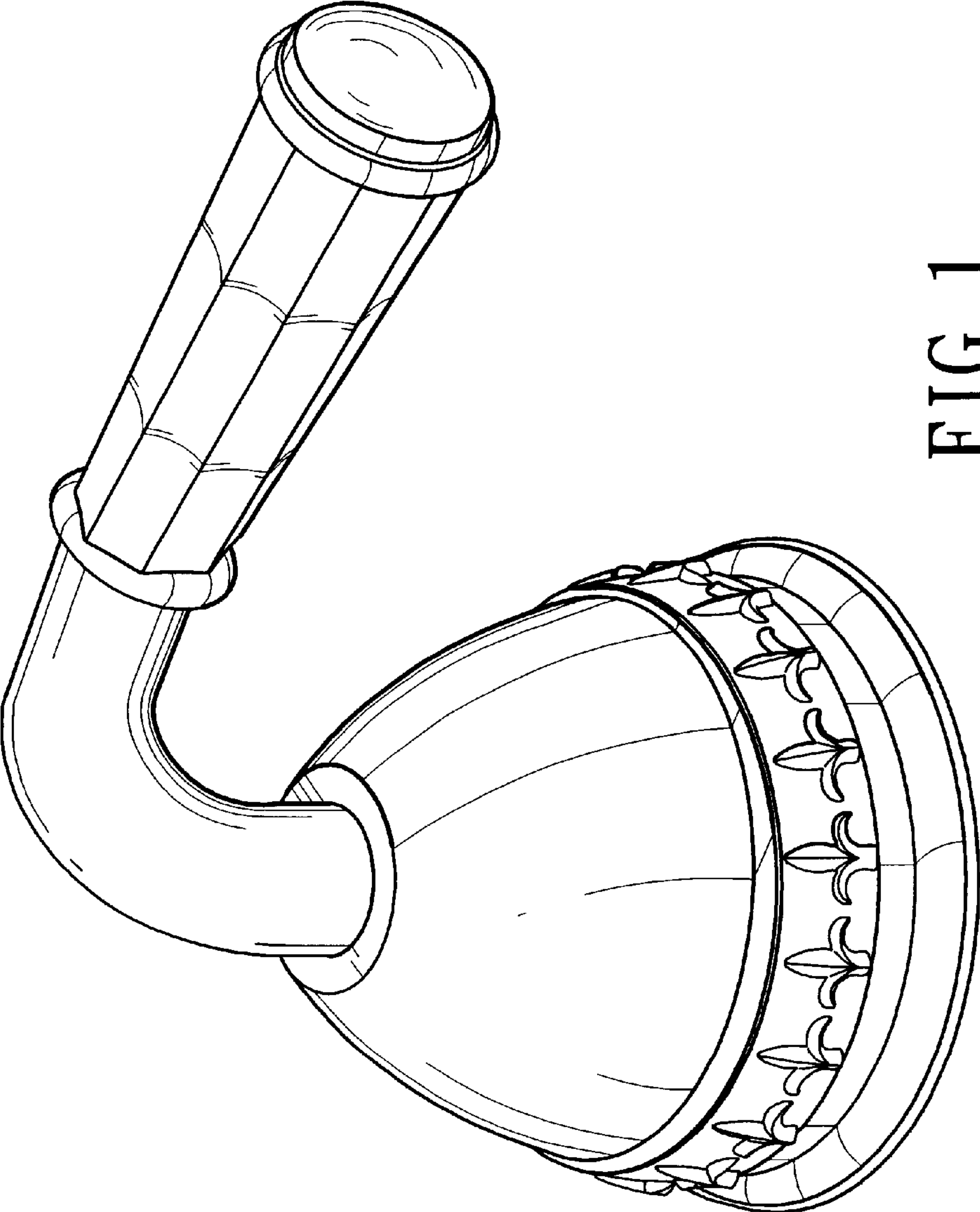


FIG. 1

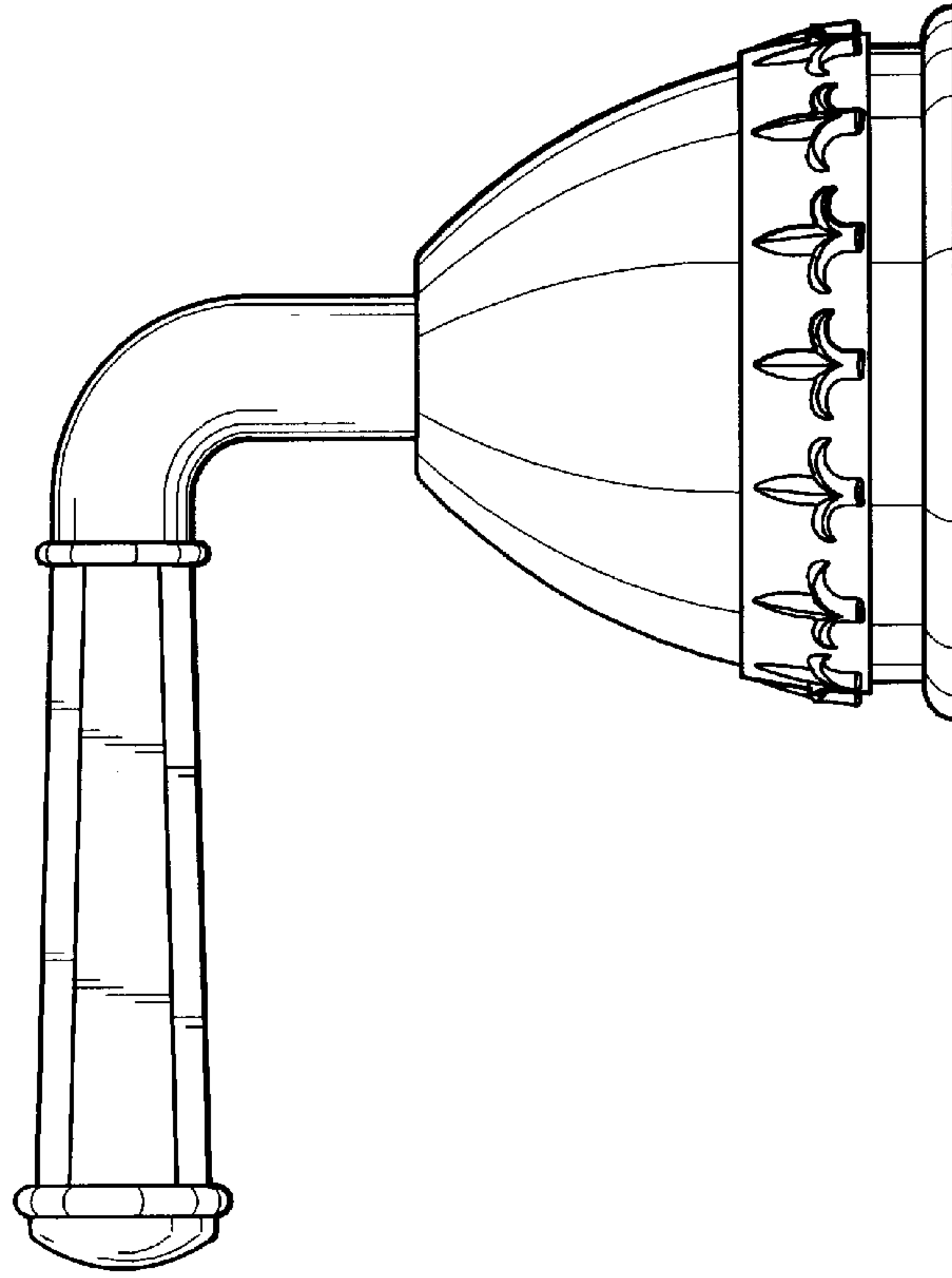


FIG. 2

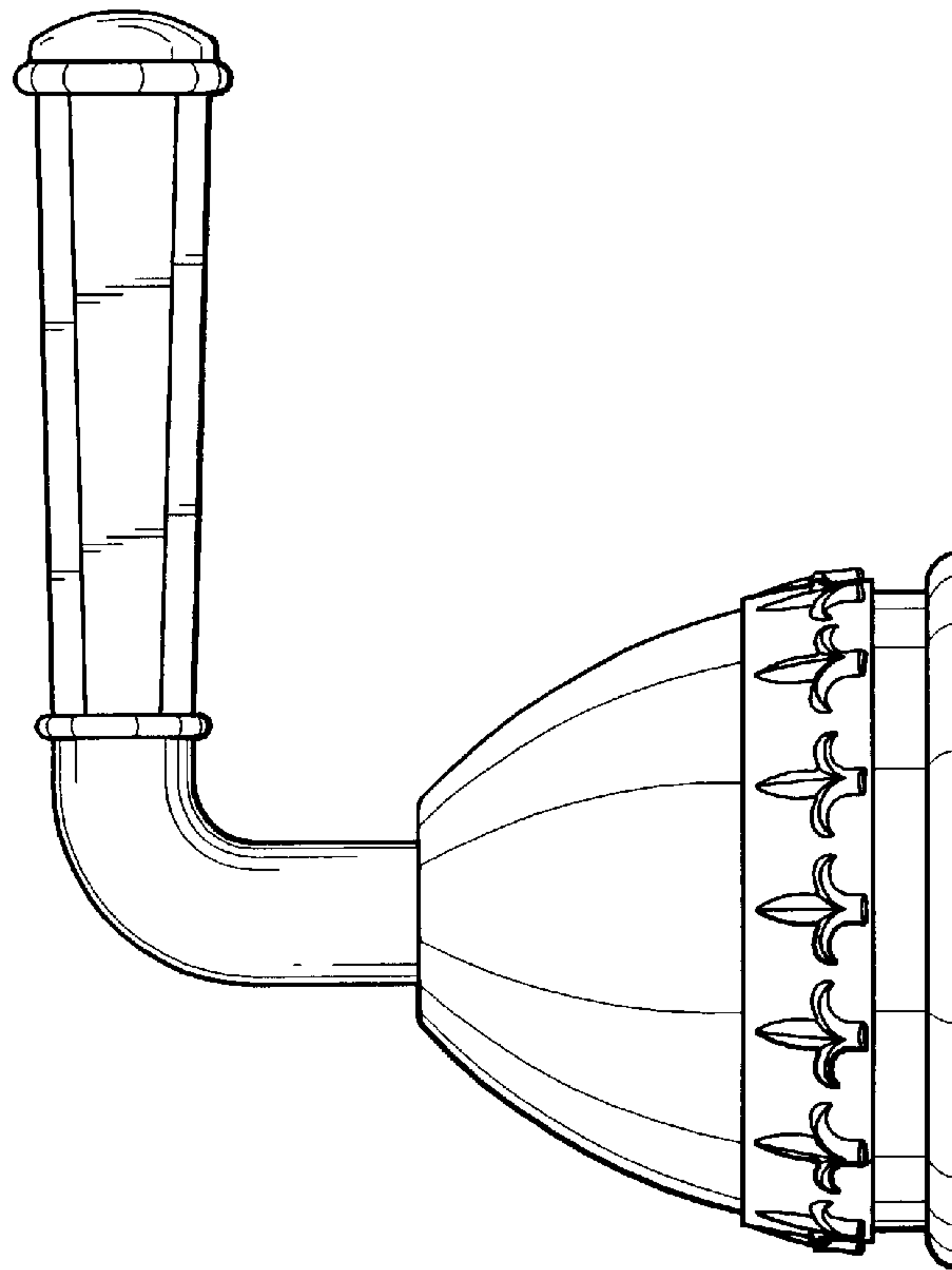


FIG. 3

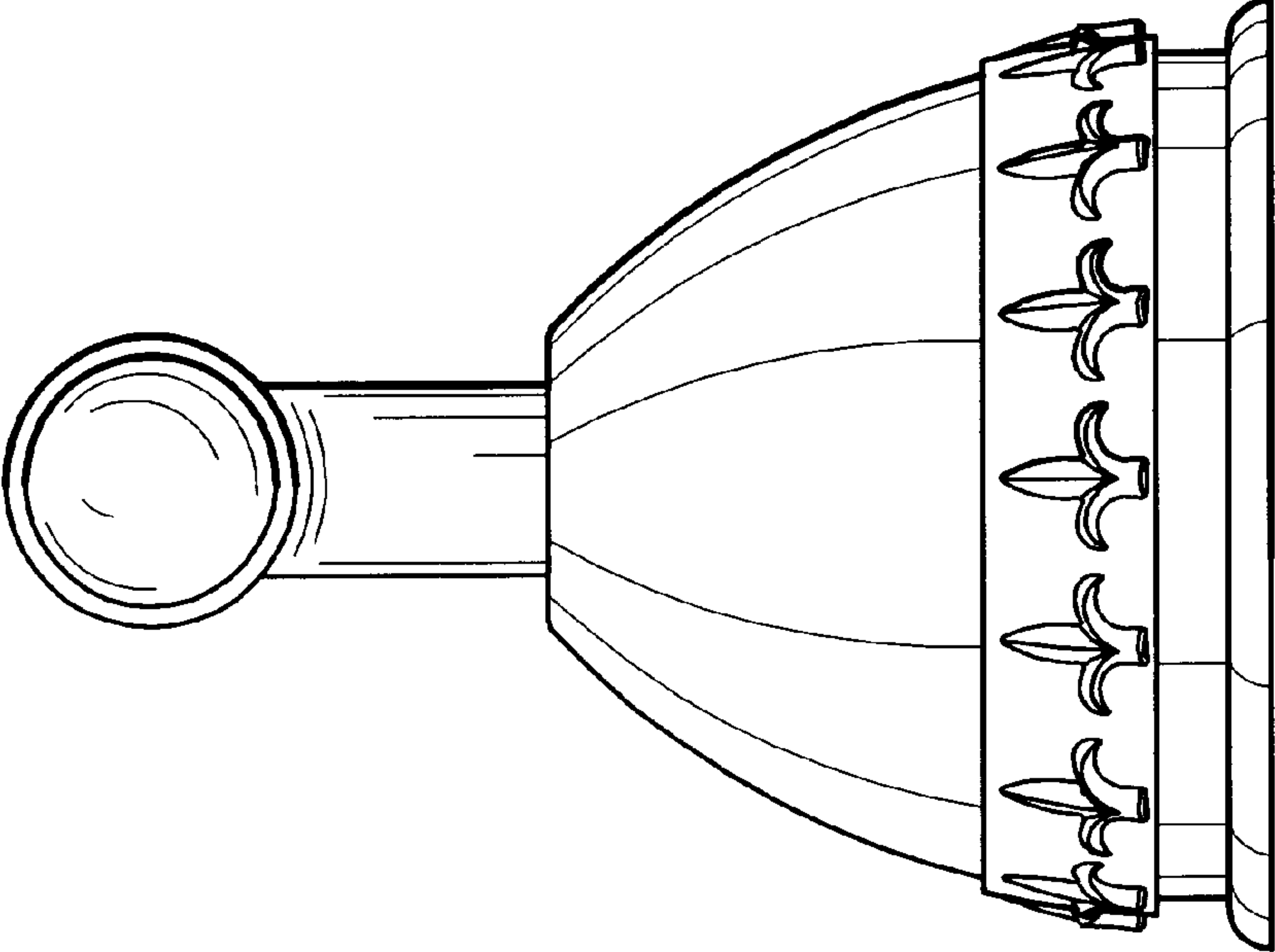


FIG. 5

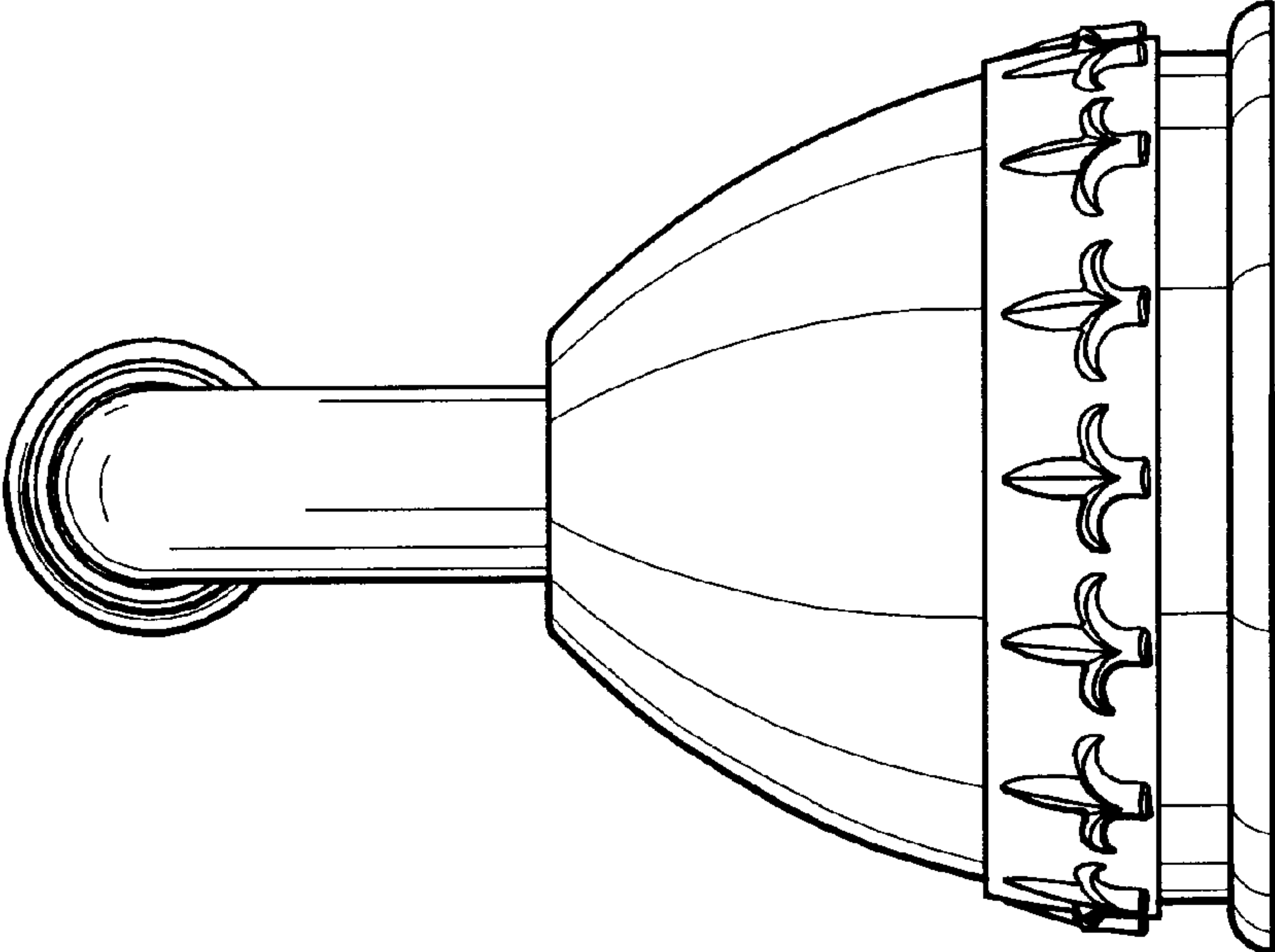


FIG. 4

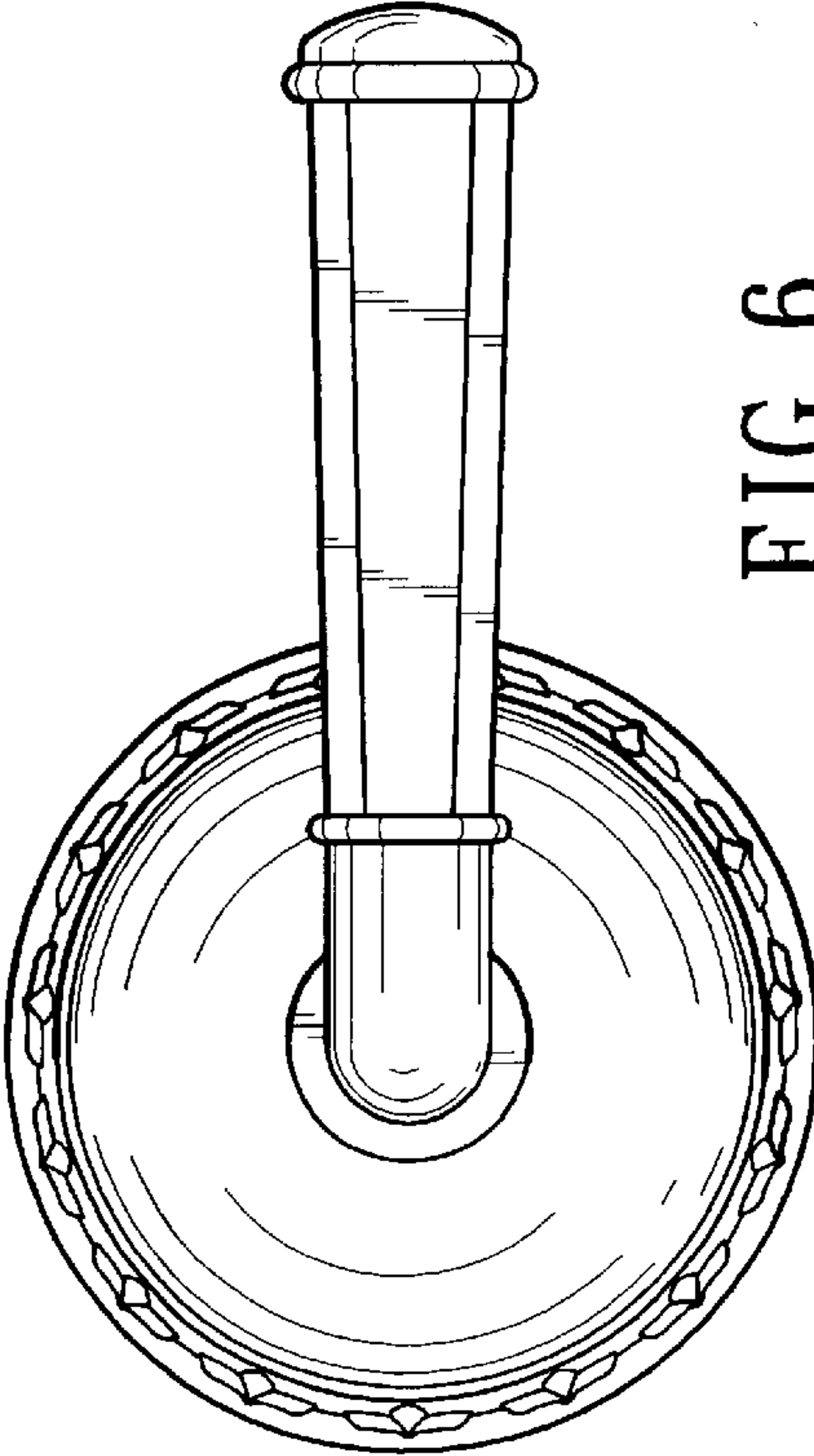


FIG. 6

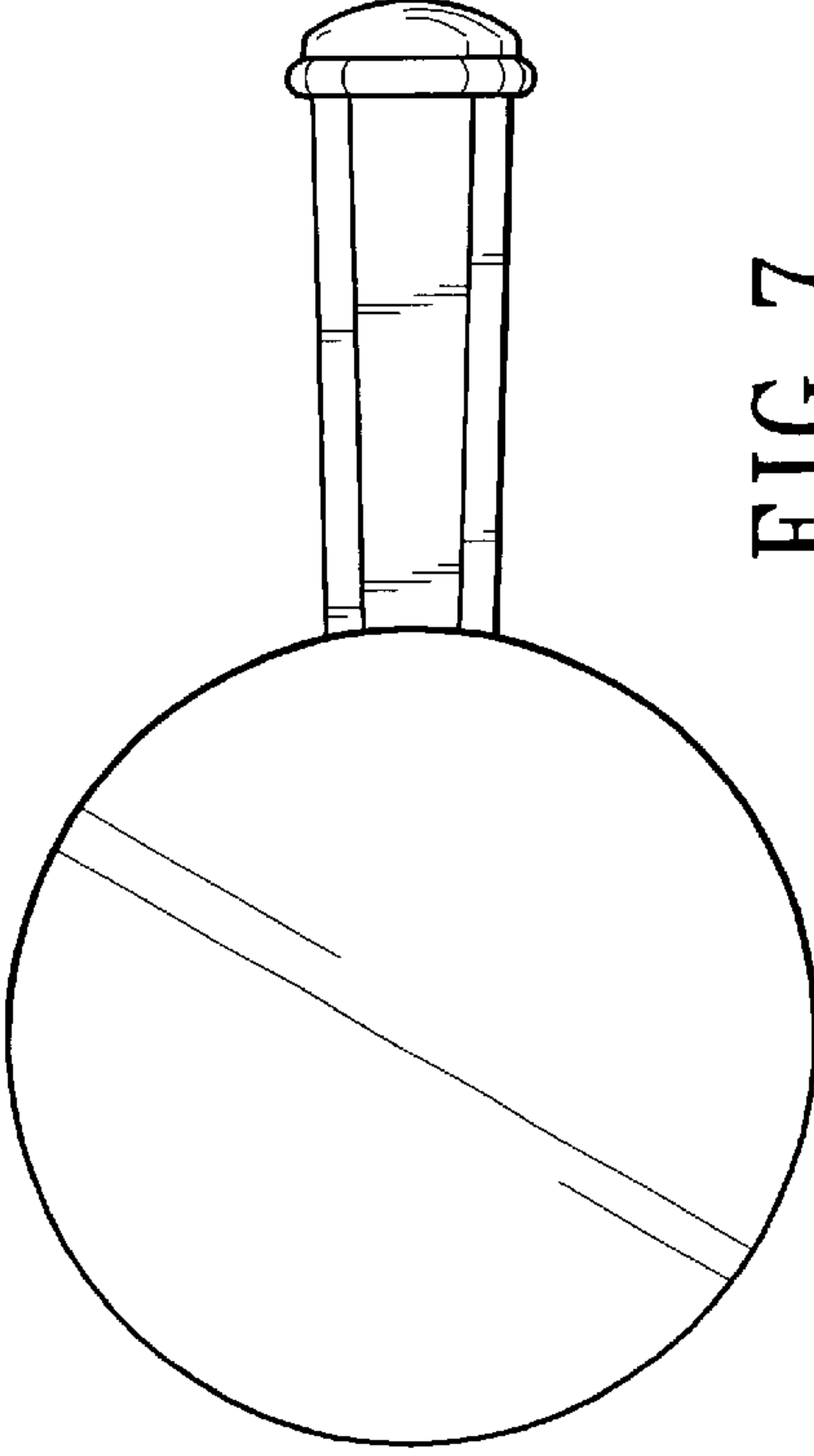


FIG. 7