



US00D508550S

(12) **United States Design Patent** (10) **Patent No.:** **US D508,550 S**
Sener et al. (45) **Date of Patent:** **** Aug. 16, 2005**

(54) **SPRINKLER PATTERN DISC**

(75) Inventors: **James Sener**, Glastonbury, CT (US);
Christopher Hageman, Glastonbury,
CT (US); **David Mathieu**, Colchester,
CT (US)

(73) Assignee: **Gilmour, Inc.**, Newark, DE (US)

(**) Term: **14 Years**

(21) Appl. No.: **29/207,694**

(22) Filed: **Jun. 17, 2004**

(51) **LOC (8) Cl.** **23-01**

(52) **U.S. Cl.** **D23/221; D23/214**

(58) **Field of Search** **D23/213, 214,**
D23/216; 239/240, 242, 231, 222.21, 273,
275, 224

(56) **References Cited**

U.S. PATENT DOCUMENTS

D374,914 S * 10/1996 Wang D23/214
6,290,146 B1 * 9/2001 Tsai 239/394
6,808,129 B1 * 10/2004 Wang 239/231

* cited by examiner

Primary Examiner—Robin V. Taylor
(74) *Attorney, Agent, or Firm*—Victor A. Henzi

(57) **CLAIM**

The ornamental design for a sprinkler pattern disc, as shown and described.

DESCRIPTION

FIG. 1 is a rear right perspective view of the present new design for a sprinkler pattern disc configured to include an exemplary sprinkler head and sprinkler base which are illustrated in dashed lines and form no part of the claimed design;

FIG. 2 is a rear right perspective view of the present new design for a sprinkler pattern disc;

FIG. 3 is a top plan view thereof;

FIG. 4 is a left elevational view thereof, the right elevational view being a mirror image thereof;

FIG. 5 is a front elevational view thereof;

FIG. 6 is a rear elevational view thereof; and,

FIG. 7 is a bottom plan view thereof.

The broken lines showing various features of a sprinkler pattern are for illustrative purposes only and form no part of the claimed design.

1 Claim, 6 Drawing Sheets

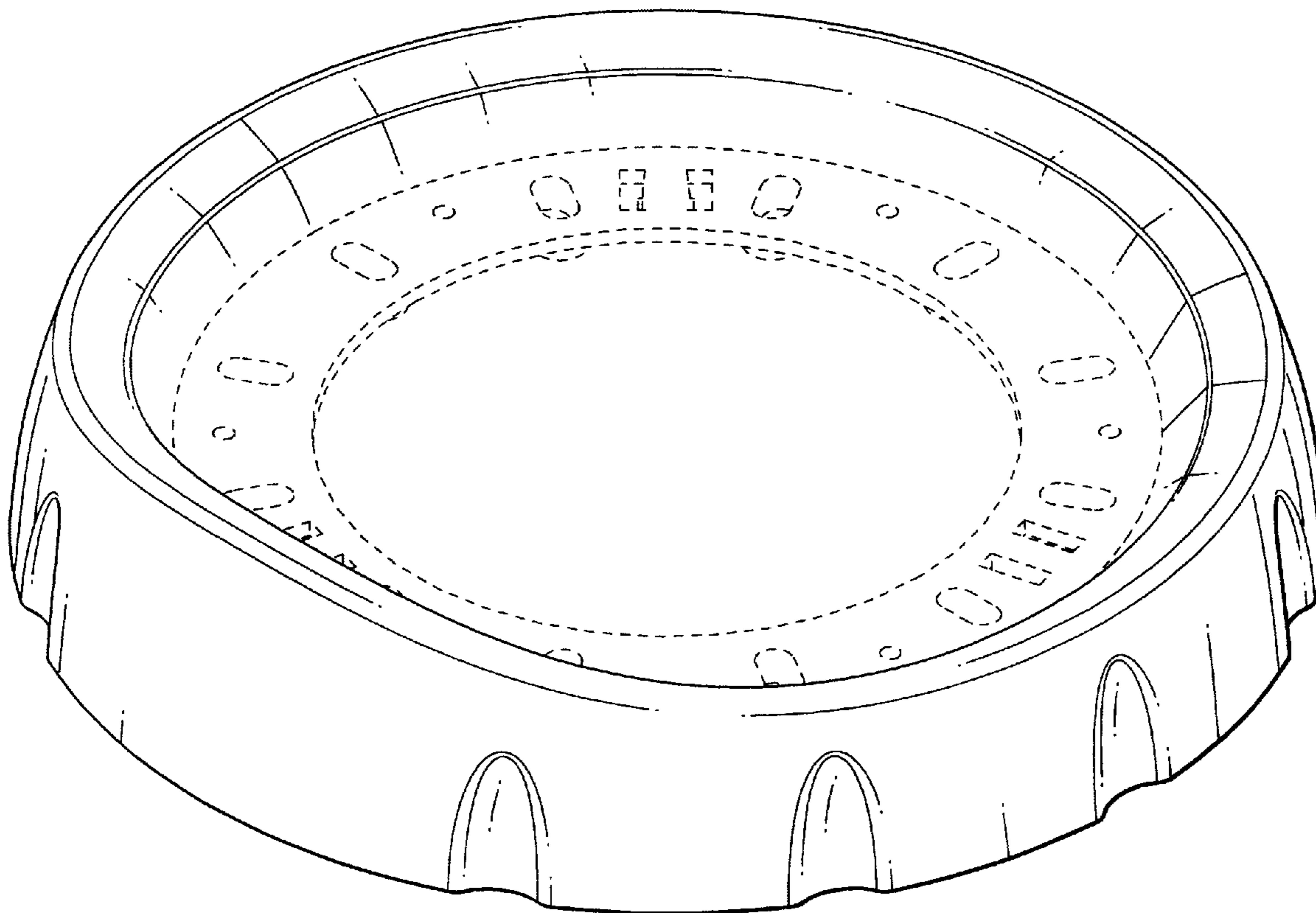
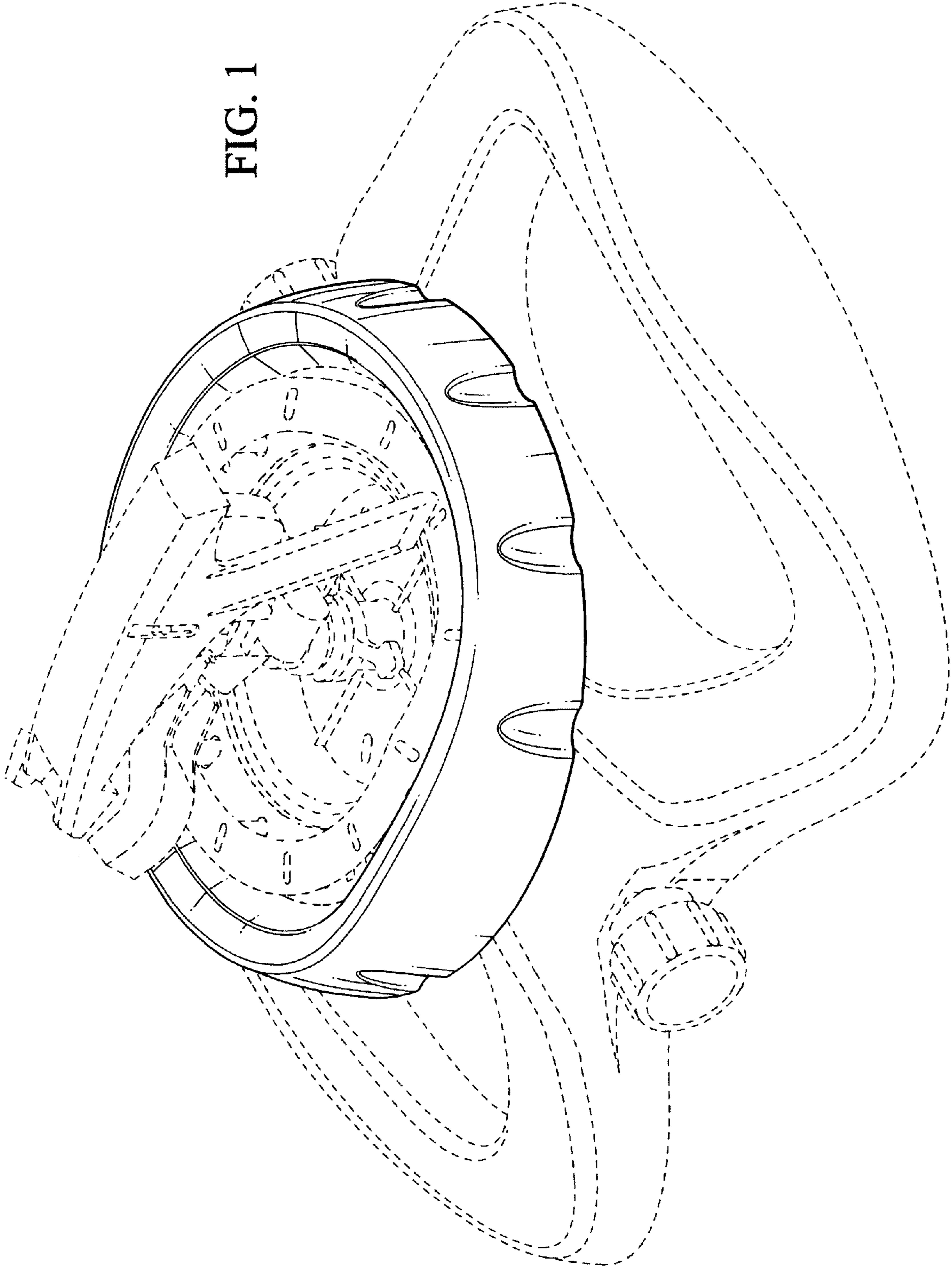


FIG. 1



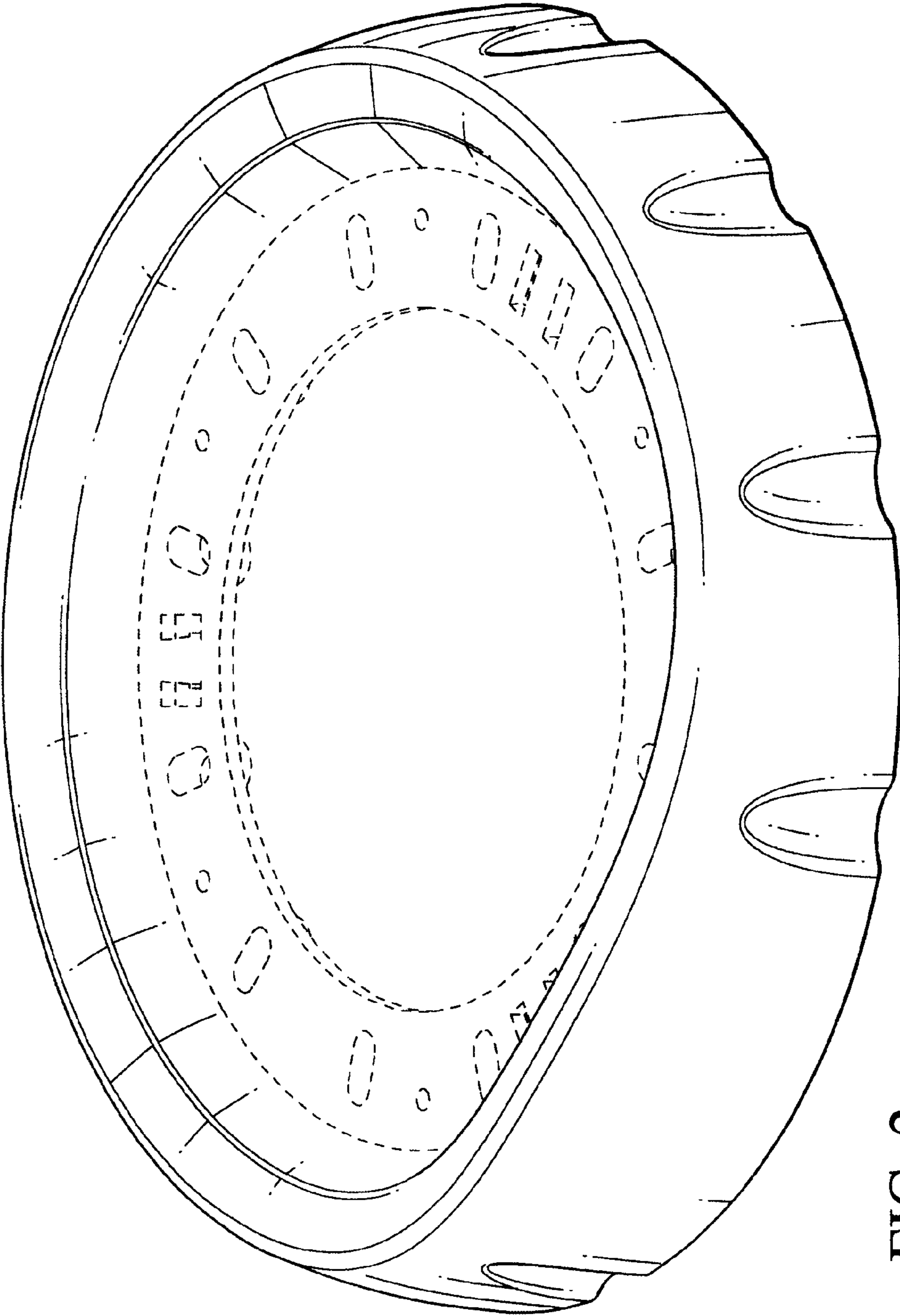


FIG. 2

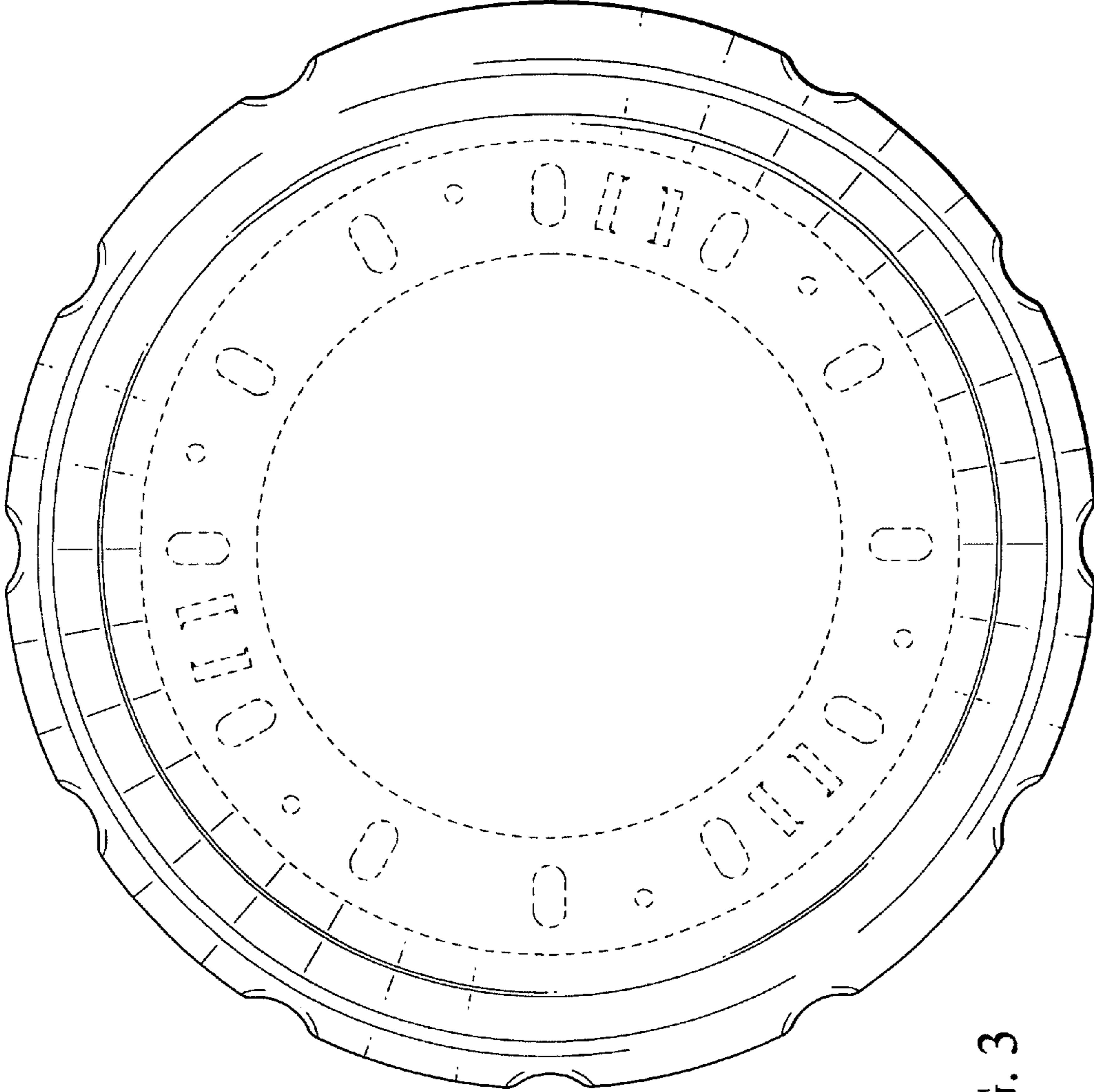


FIG. 3

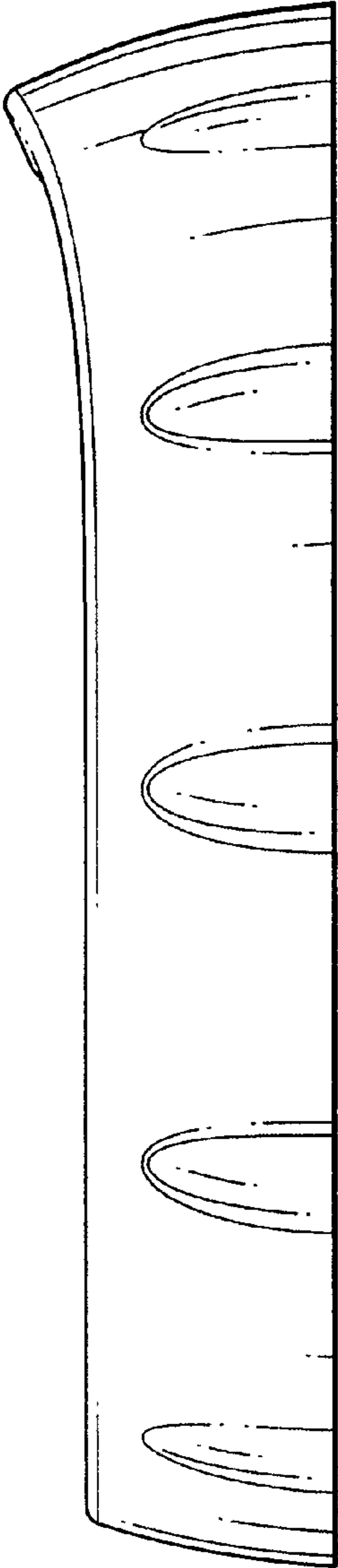


FIG. 4

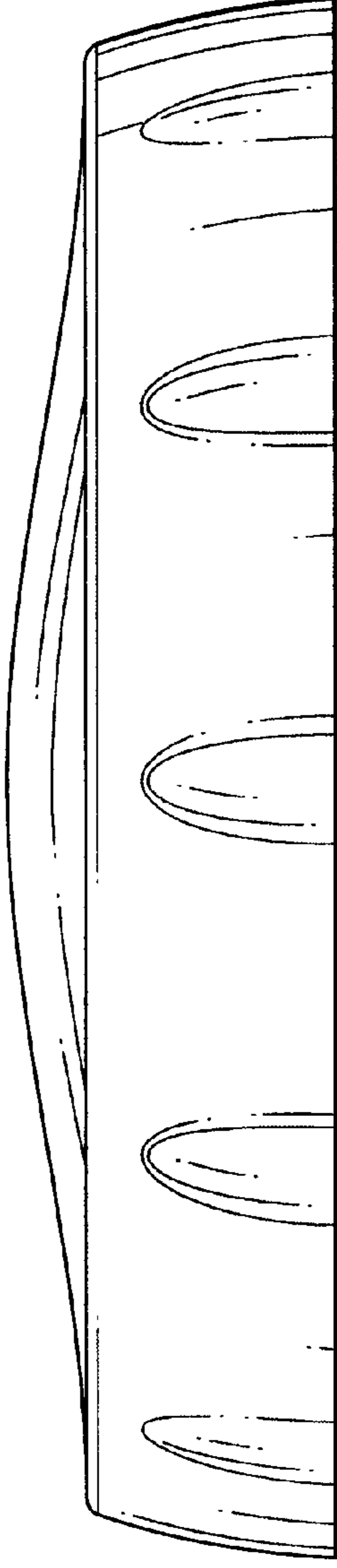


FIG. 5

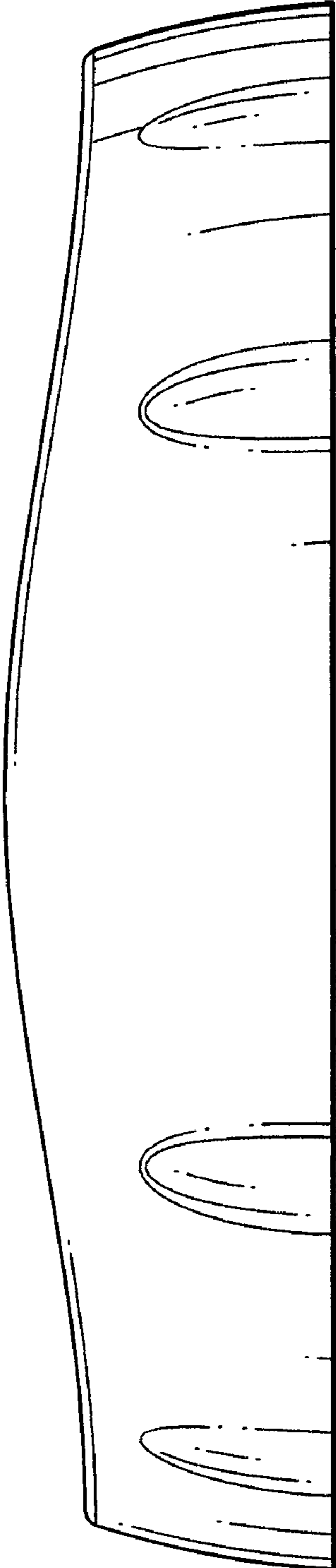


FIG. 6

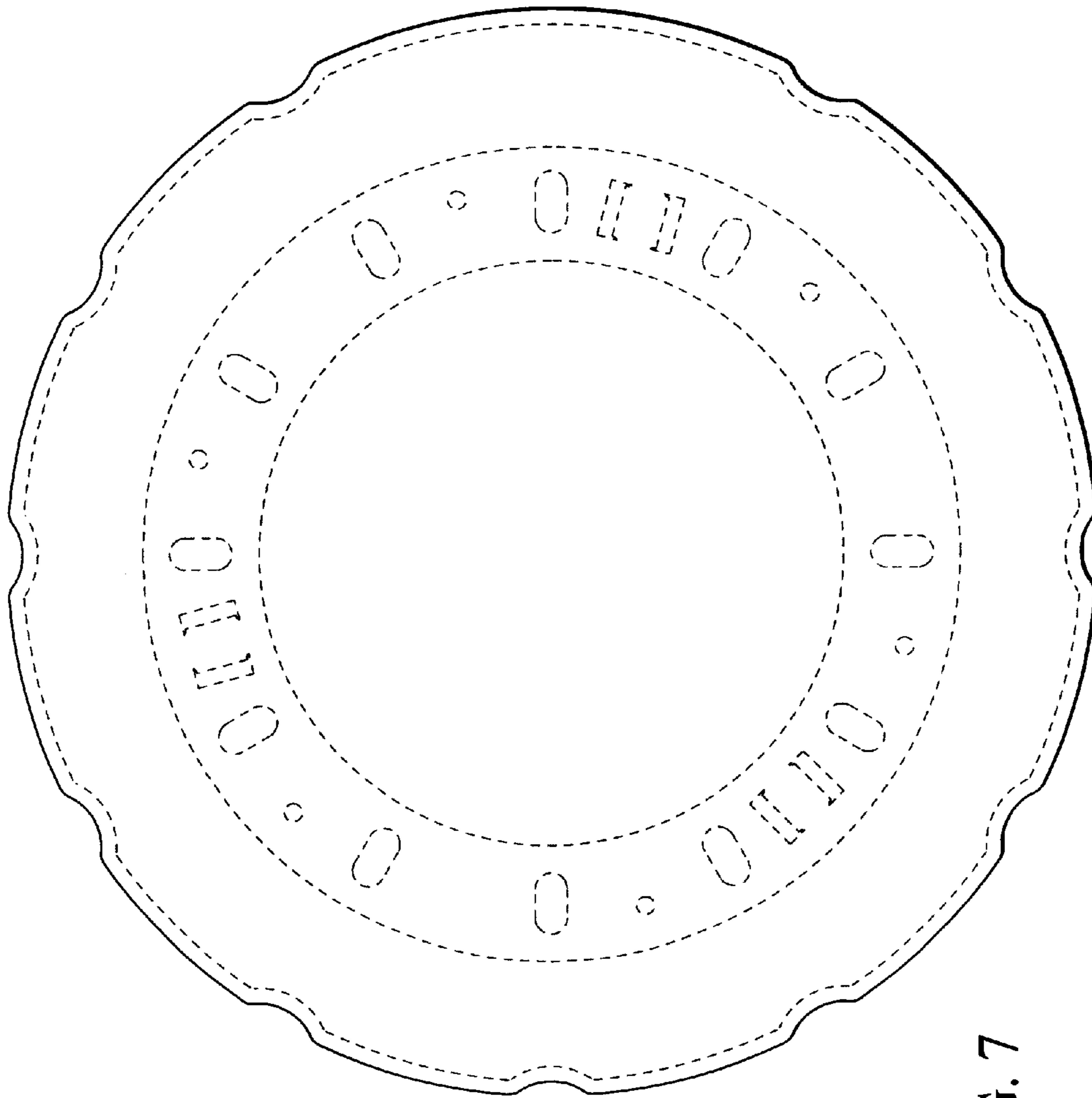


FIG. 7