

US00D508549S

(12) **United States Design Patent**  
**Keramidas**

(10) **Patent No.:** **US D508,549 S**

(45) **Date of Patent:** **\*\* Aug. 16, 2005**

(54) **DEVICE FOR DISPENSING A LIQUID ACTIVE SUBSTANCE**

D308,408 S \* 6/1990 Hoyt et al. .... D23/208  
D387,848 S \* 12/1997 Thompson et al. .... D23/208  
6,311,340 B1 \* 11/2001 Thompson ..... 4/231

(75) Inventor: **Ioannis D. Keramidas**, Attica (GR)

\* cited by examiner

(73) Assignee: **Skot S.A. Chemical Products**, Attica (GR)

*Primary Examiner*—Robin V. Taylor

(74) *Attorney, Agent, or Firm*—Collard & Roe, P.C.

(\*\*) Term: **14 Years**

(21) Appl. No.: **29/178,969**

(22) Filed: **Apr. 2, 2003**

(30) **Foreign Application Priority Data**

Oct. 2, 2002 (WO) ..... DM/061997

(51) **LOC (8) Cl.** ..... **23-01**

(52) **U.S. Cl.** ..... **D23/208**

(58) **Field of Search** ..... D23/208; 4/231,  
4/223, 225.1, 227.1

(56) **References Cited**

**U.S. PATENT DOCUMENTS**

D307,934 S \* 5/1990 Verebelyi ..... D23/208

(57) **CLAIM**

The ornamental design for a device for dispensing a liquid active substance, as shown and described.

**DESCRIPTION**

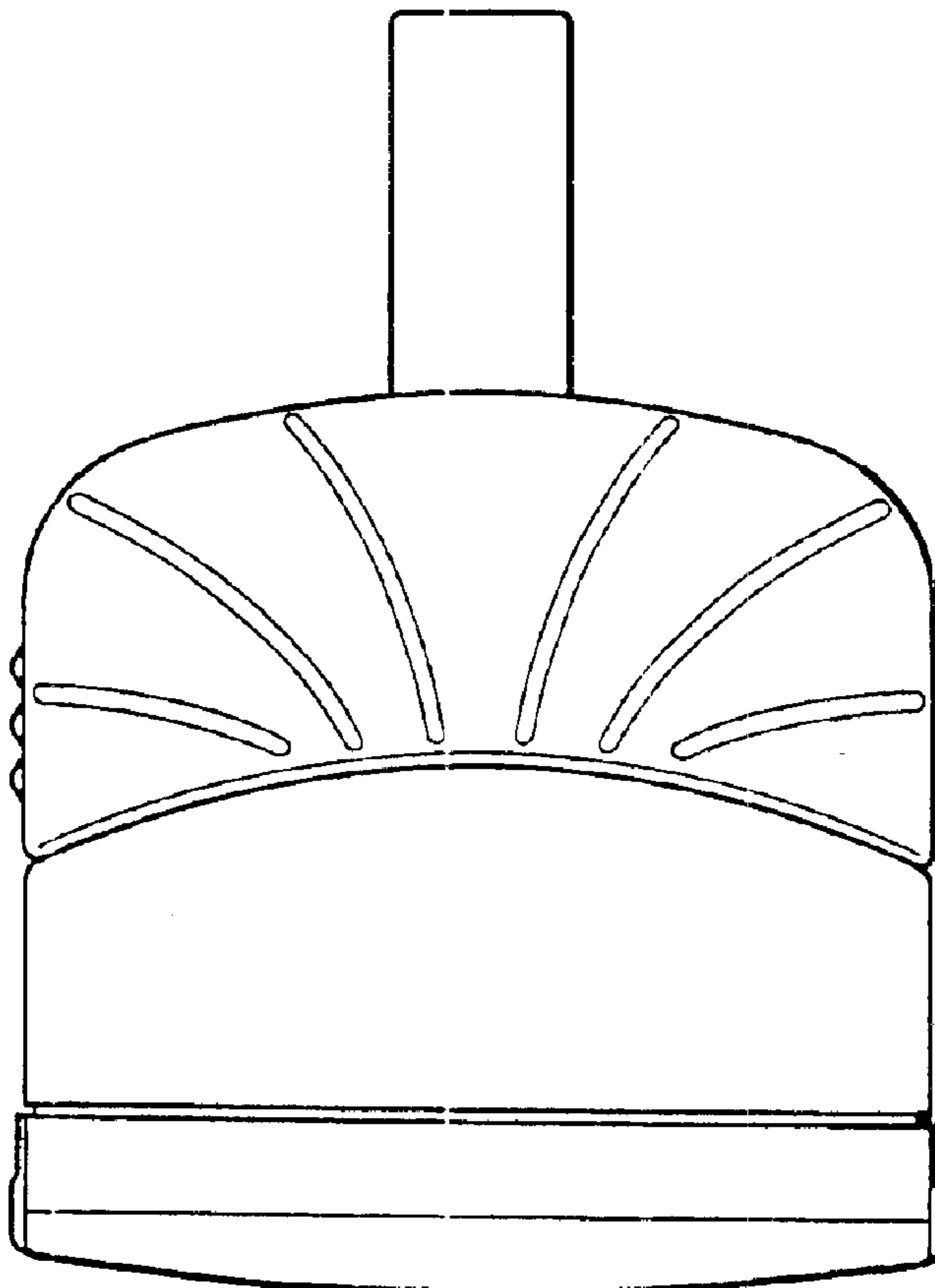
FIG. 1 shows front view of my design for a device for dispensing a liquid active substance;

FIG. 2 shows a side view thereof, with the opposite side view being identical; and,

FIG. 3 shows a rear view thereof.

The bottom view forms no part of the invention.

**1 Claim, 3 Drawing Sheets**



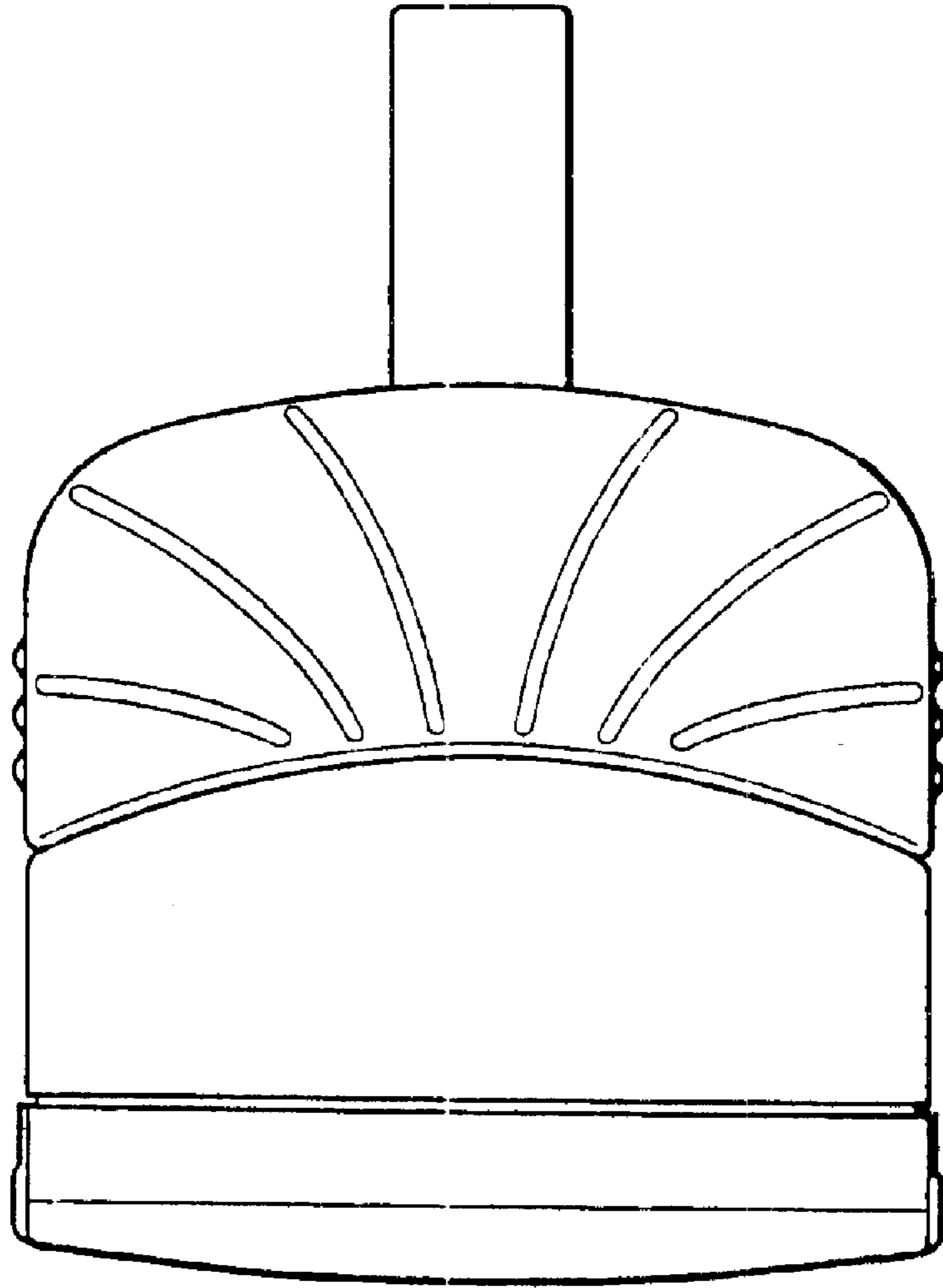


FIG. 1

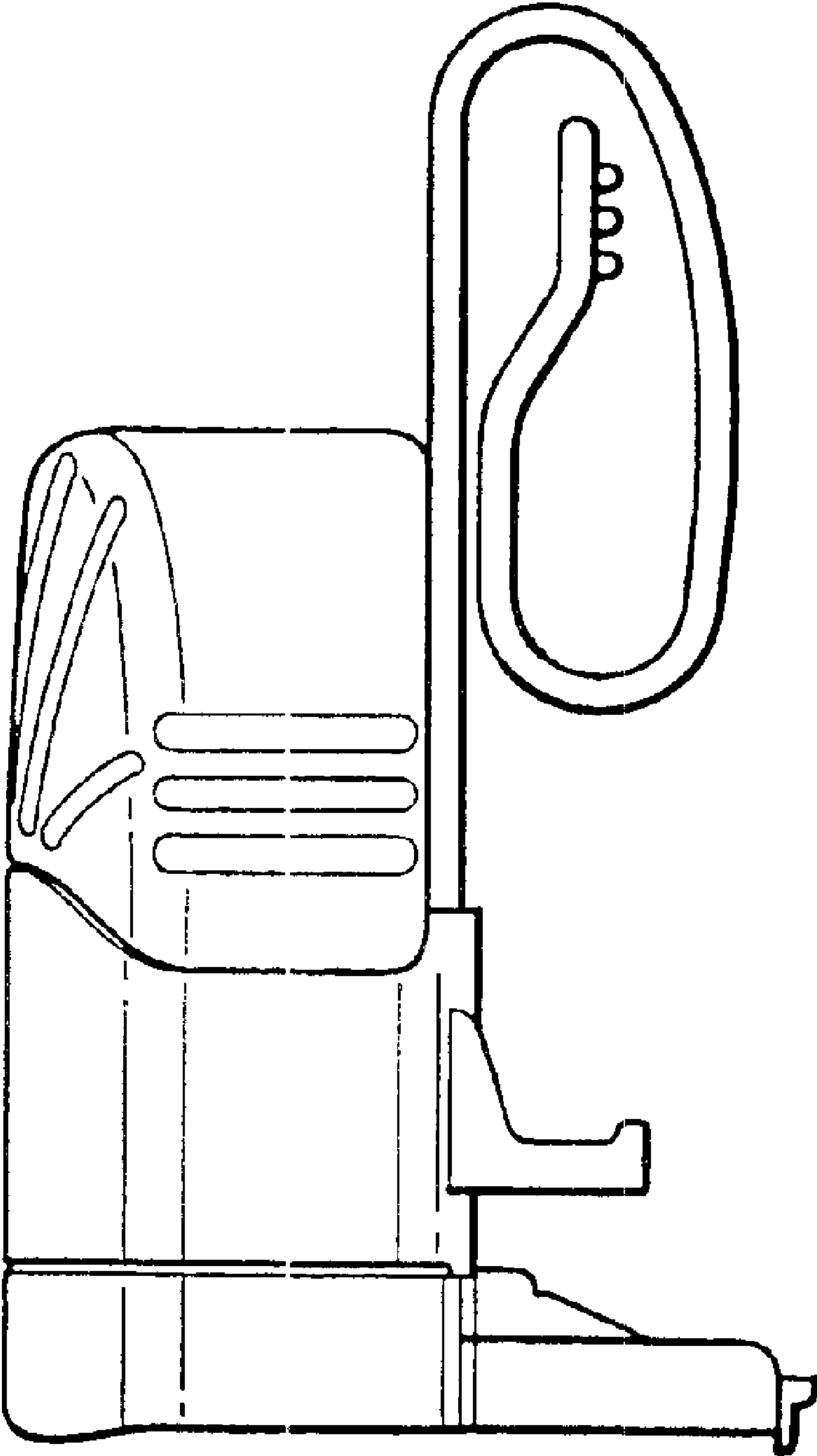


FIG. 2

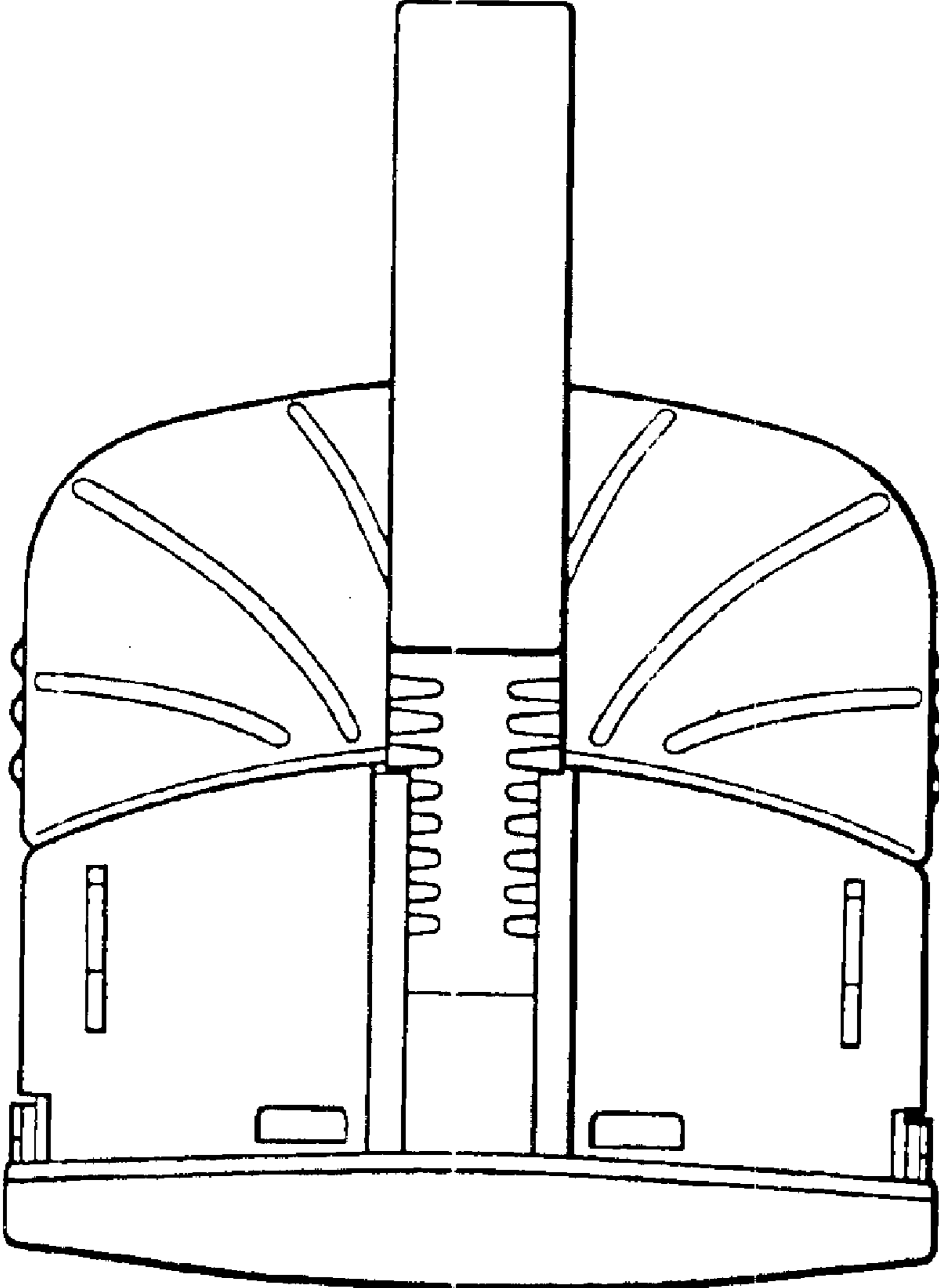


FIG.3