

US00D508540S

(12) **United States Design Patent** (10) **Patent No.:** **US D508,540 S**
Smedley et al. (45) **Date of Patent:** **** *Aug. 16, 2005**

- (54) **HAND-HELD DISPLAY DEVICE**
- (75) Inventors: **Jonathan W. Smedley**, El Paso, TX (US); **Po W. Hu**, El Paso, TX (US); **Leon W. Schmidt**, Spokane, WA (US)
- (73) Assignee: **Axxion Group Corporation**, El Paso, TX (US)
- (*) Notice: This patent is subject to a terminal disclaimer.
- (**) Term: **14 Years**
- (21) Appl. No.: **29/197,830**
- (22) Filed: **Jan. 21, 2004**

Related U.S. Application Data

- (63) Continuation-in-part of application No. 10/717,180, filed on Nov. 19, 2003, which is a continuation-in-part of application No. 29/175,876, filed on Feb. 12, 2003, now Pat. No. Des. 493,491.
- (51) **LOC (8) Cl.** **20-02**
- (52) **U.S. Cl.** **D20/19; D20/12; D20/21**
- (58) **Field of Search** D20/10, 12, 19, D20/21, 99; D14/371, 428; D21/455, 468; D26/38; 40/218, 411, 442, 444, 493; 116/173; 345/31, 82

References Cited

U.S. PATENT DOCUMENTS

4,601,255	A	*	7/1986	Marcotti	116/173
4,807,557	A	*	2/1989	Lodisio	116/173
5,302,965	A	*	4/1994	Belcher et al.	345/31
5,406,300	A	*	4/1995	Tokimoto et al.	345/31
5,548,300	A	*	8/1996	Tokimoto	345/39
5,670,971	A	*	9/1997	Tokimoto et al.	345/31
5,748,157	A	*	5/1998	Eason	345/31

6,037,876	A	*	3/2000	Crouch	340/815.53
D433,022	S	*	10/2000	Lucas	D14/371
6,193,384	B1	*	2/2001	Stein	362/96
D442,597	S	*	5/2001	Meyers et al.	D14/428
6,265,984	B1	*	7/2001	Molinaroli	340/815.4
6,278,419	B1	*	8/2001	Malkin	345/31
6,486,858	B1	*	11/2002	Altman	345/31
6,626,293	B2	*	9/2003	St. Jeor	206/315.6
D493,491	S	*	7/2004	Smedley et al.	D20/19
2002/0005826	A1	*	1/2002	Pederson	345/82
2004/0155845	A1	*	8/2004	Smedley et al.	345/82

* cited by examiner

Primary Examiner—Robert M. Spear

(74) *Attorney, Agent, or Firm*—Gardere Wynne Sewell LLP

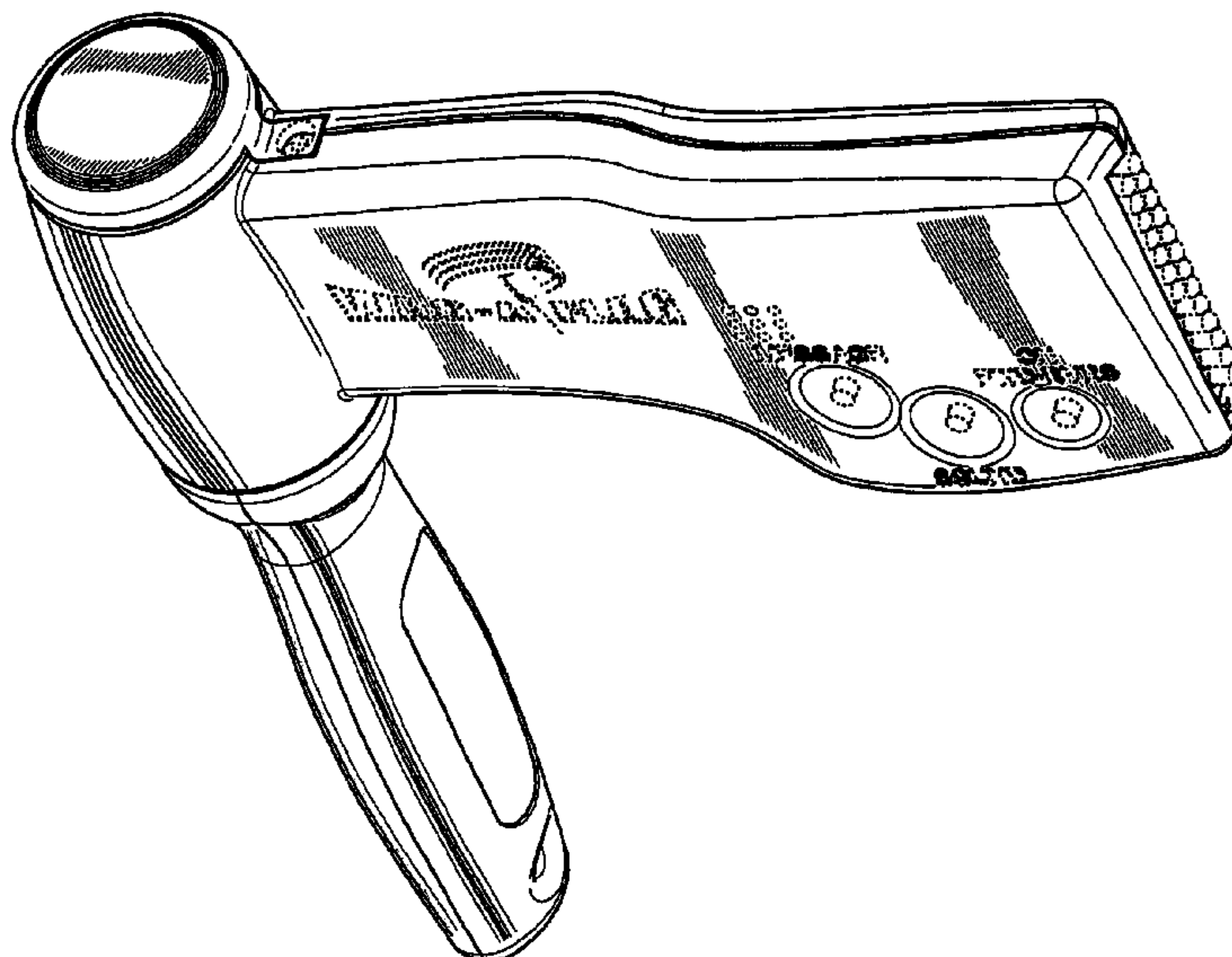
(57) **CLAIM**

The ornamental design for a hand-held display device, as shown and described.

DESCRIPTION

FIG. 1 is a front perspective view of a hand-held display device in accordance with my invention;
 FIG. 2 is a top view of the hand-held display device shown in FIG. 1;
 FIG. 3 is a back elevation view of the hand-held display device shown in FIG. 1;
 FIG. 4 is a front side elevation view of the hand-held display device shown in FIG. 1; and
 FIG. 5 is a bottom view of the hand-held display device shown in FIG. 1;
 FIG. 6 is a right side end view of the hand-held display device shown in FIG. 1; and,
 FIG. 7 is a left side end view of the hand-held display device shown in FIG. 1.
 The broken lines in the drawings represent environmental structure only and form no part of the claimed design.

1 Claim, 4 Drawing Sheets



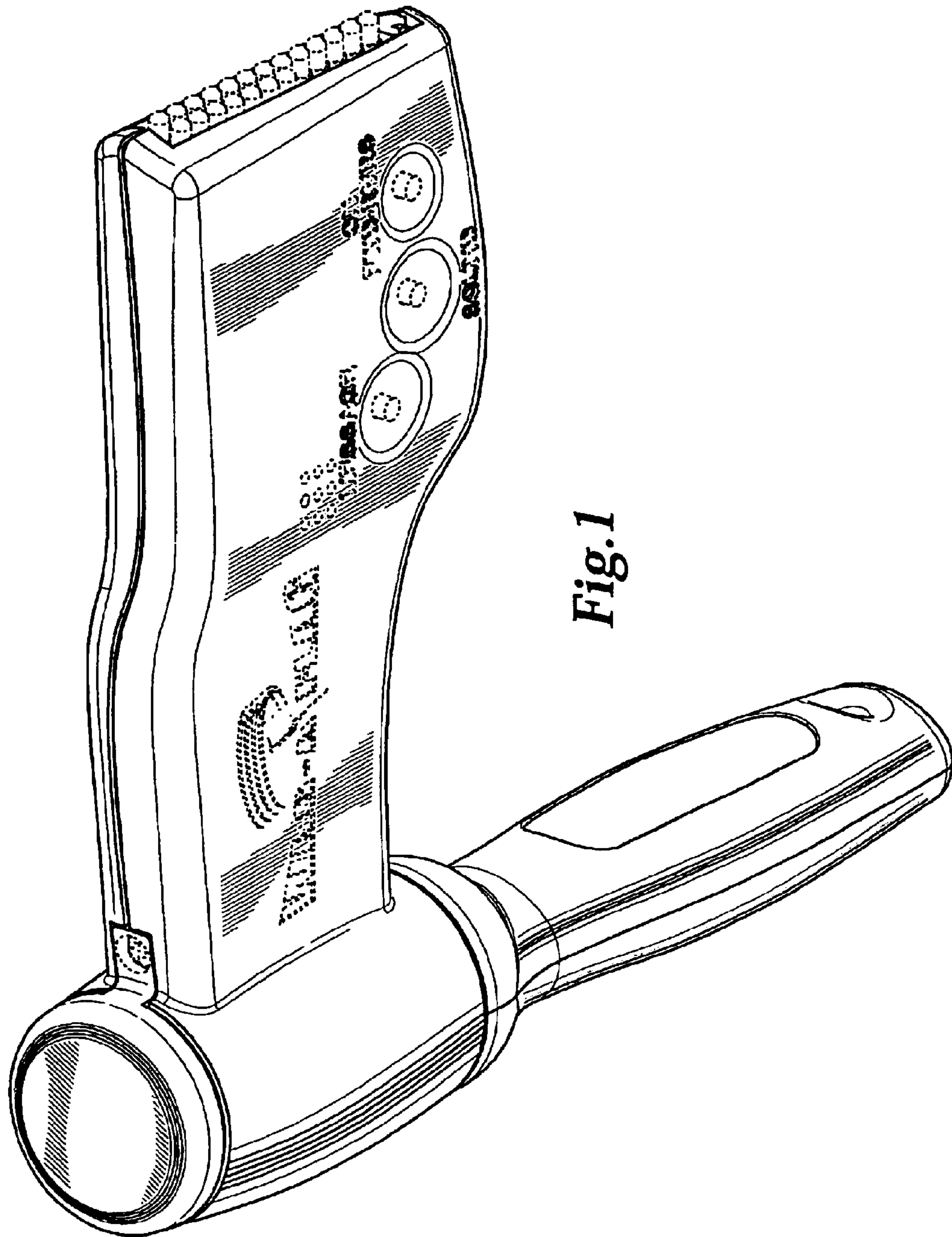


Fig. 1

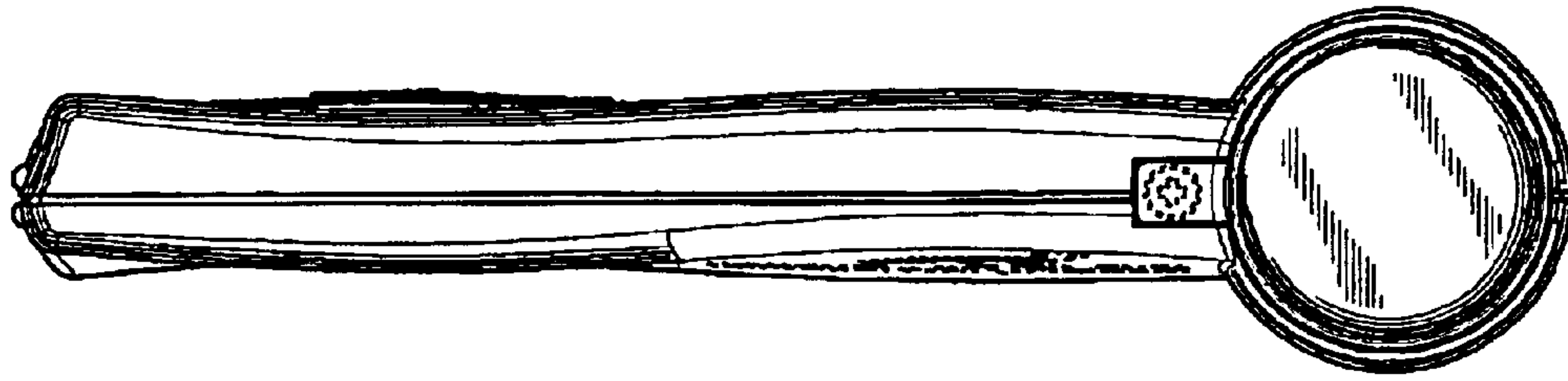


Fig. 2

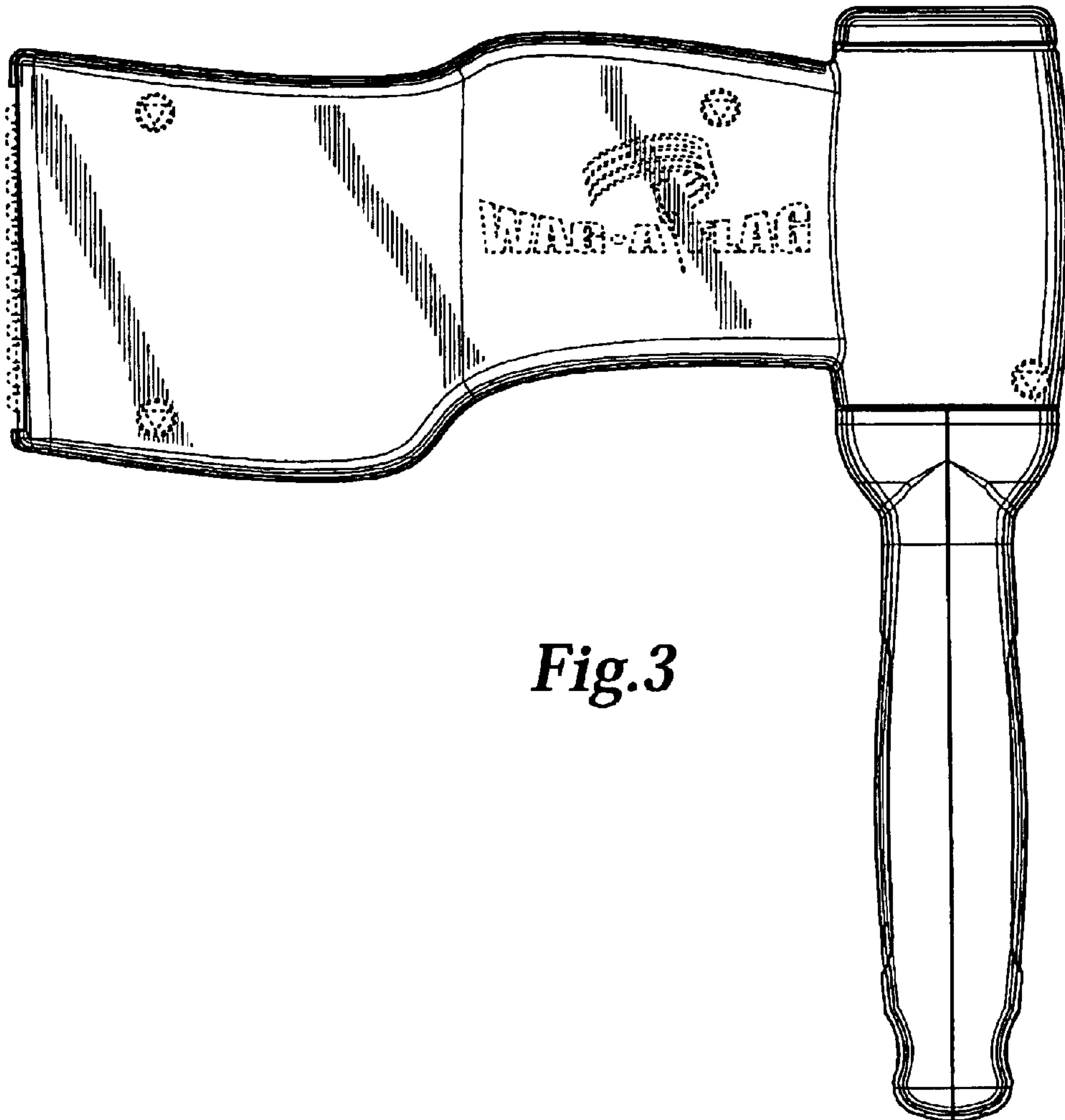


Fig. 3

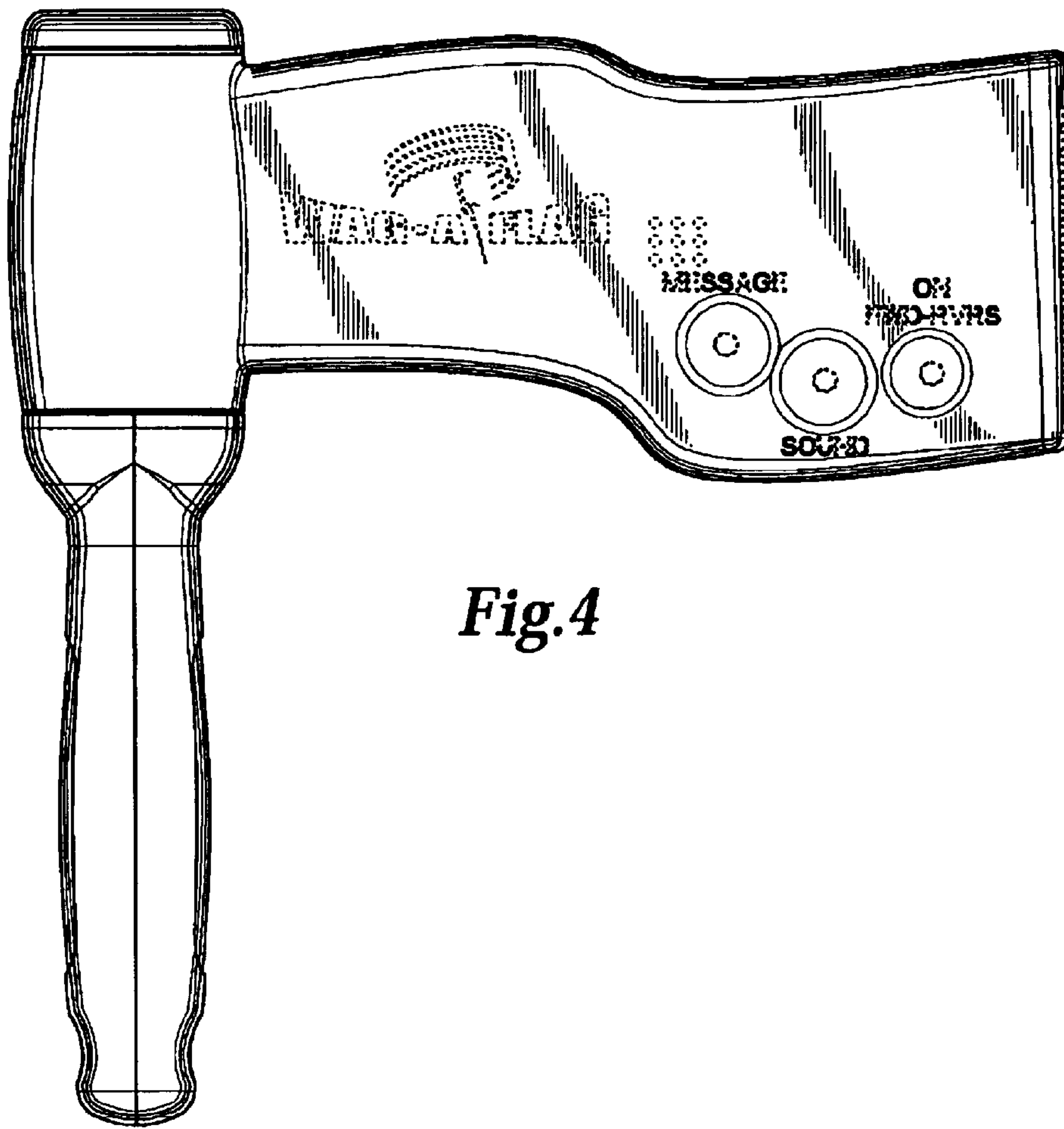


Fig. 4

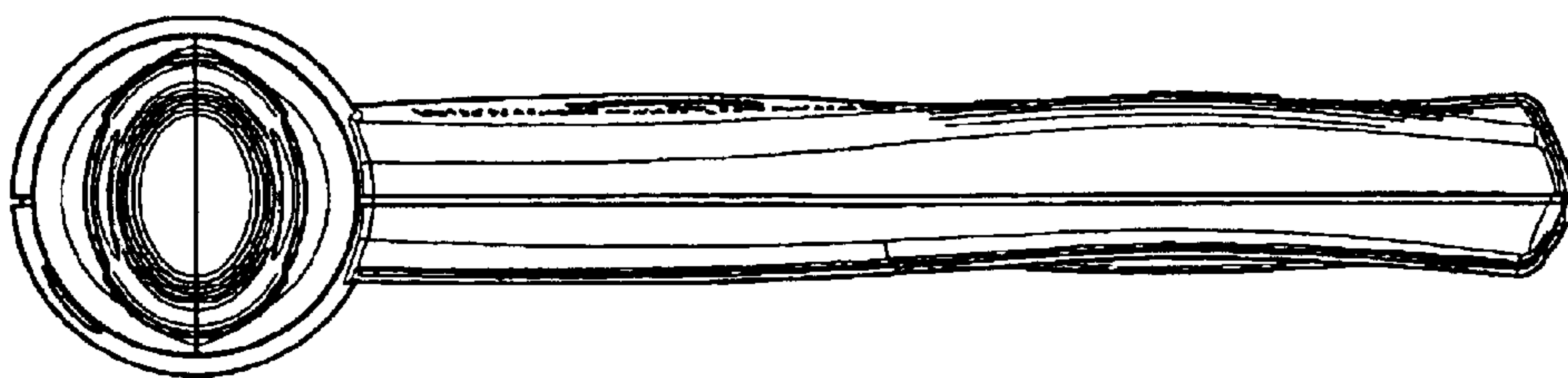


Fig. 5

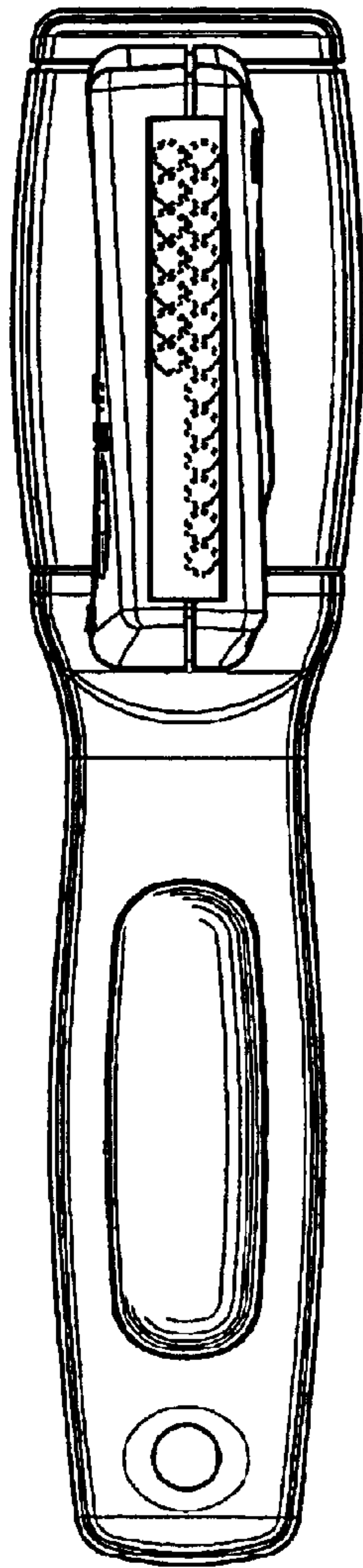


Fig. 6

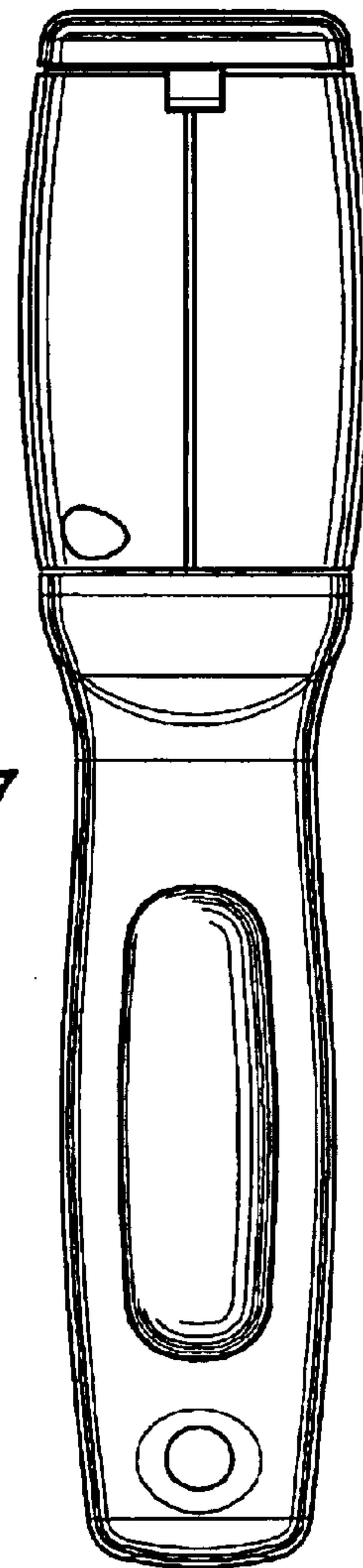


Fig. 7