

US00D508538S

(12) **United States Design Patent** (10) **Patent No.:** **US D508,538 S**
Furr (45) **Date of Patent:** **** Aug. 16, 2005**

- (54) **OVERHEAD DISPLAY SYSTEM**
(75) Inventor: **Mark A. Furr**, Arlington, TN (US)
(73) Assignee: **In-Site Creative Concepts**, Arlington, TN (US)
(**) Term: **14 Years**
(21) Appl. No.: **29/205,771**
(22) Filed: **May 20, 2004**
(51) **LOC (8) Cl.** **20-02**
(52) **U.S. Cl.** **D20/10**
(58) **Field of Search** D20/10, 15, 19,
D20/21, 39, 99; 40/559, 568, 572, 592,
617; 52/506.01; 239/54; 283/56, 81; 362/812

(56) **References Cited**

U.S. PATENT DOCUMENTS

978,218	A	*	12/1910	Sargent	239/54
D105,539	S	*	8/1937	Scholl	D99/12
3,633,299	A	*	1/1972	Westin	40/592
3,984,931	A	*	10/1976	Belokin, Jr.	40/559
D245,940	S	*	9/1977	George	D26/31
4,052,806	A	*	10/1977	George	40/572
4,075,775	A		2/1978	Shorette	40/553
D250,555	S	*	12/1978	Belokin, Jr.	D20/42
4,229,913	A	*	10/1980	Corrigan	52/38
4,290,218	A		9/1981	Drueck, Jr.	40/553
4,528,764	A		7/1985	Cobb	40/553
4,716,671	A		1/1988	Gross	40/558
4,856,216	A		8/1989	Gross	40/559
4,947,570	A		8/1990	May et al.	40/553
5,047,907	A	*	9/1991	Hawkins	362/311
5,128,850	A	*	7/1992	Juodvalkis	362/352
5,274,938	A		1/1994	McDonald et al.	40/617
5,282,331	A		2/1994	Fell	40/617
5,355,604	A	*	10/1994	Rathke	40/601
D368,934	S	*	4/1996	Elmer	D20/42
D412,635	S	*	8/1999	Eiling	D6/580
D418,930	S	*	1/2000	De Leon	D26/31
D433,454	S	*	11/2000	Elmer	D20/10
D447,774	S	*	9/2001	Elmer et al.	D20/10
6,467,209	B1		10/2002	Vickers	40/617
D476,690	S	*	7/2003	Elmer	D20/10
6,851,211	B2	*	2/2005	Sender	40/617

2003/0159322	A1	*	8/2003	Mead	40/617
2003/0172569	A1	*	9/2003	Wickwire	40/617
2003/0177680	A1	*	9/2003	Sender	40/617
2004/0128890	A1	*	7/2004	Wickwire	40/617
2004/0244318	A1	*	12/2004	Furr	52/311.1
2004/0257803	A1	*	12/2004	Kermoade	362/223

* cited by examiner

Primary Examiner—Robert M. Spear

(74) *Attorney, Agent, or Firm*—Thomas, Kayden, Horstemeyer & Risley, LLP

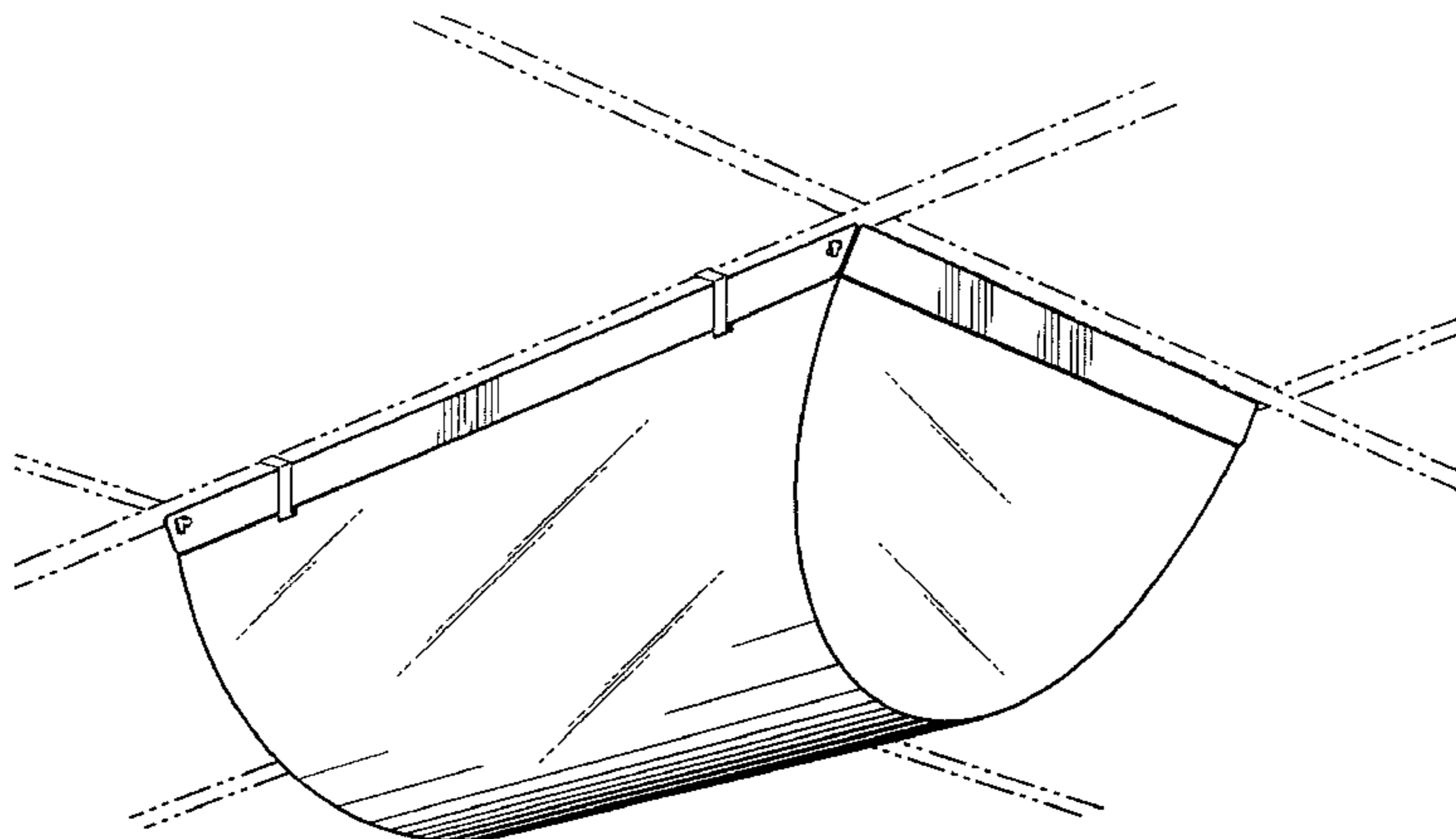
(57) **CLAIM**

The ornamental design for the various embodiments of an overhead display system, as shown and described.

DESCRIPTION

FIG. 1 is a perspective view of one embodiment of an overhead display system;
FIG. 2 is a front elevational view of the embodiment shown in FIG. 1;
FIG. 3 is a side elevational view of the embodiment shown in FIG. 1;
FIG. 4 is a bottom view of the embodiment shown in FIG. 1;
FIG. 5 is a perspective view of another embodiment of the overhead display system;
FIG. 6 is a front elevational view of the embodiment shown in FIG. 5;
FIG. 7 is a side elevational view of the embodiment shown in FIG. 5;
FIG. 8 is a bottom view of the embodiment shown in FIG. 5;
FIG. 9 is a perspective view of yet another embodiment of the overhead display system;
FIG. 10 is a front elevational view of the embodiment shown in FIG. 9;
FIG. 11 is a side elevational view of the embodiment shown in FIG. 9; and,
FIG. 12 is a bottom view of the embodiment shown in FIG. 9.
The broken lines in the drawings represent environmental structure only and form no part of the claimed design.

1 Claim, 6 Drawing Sheets



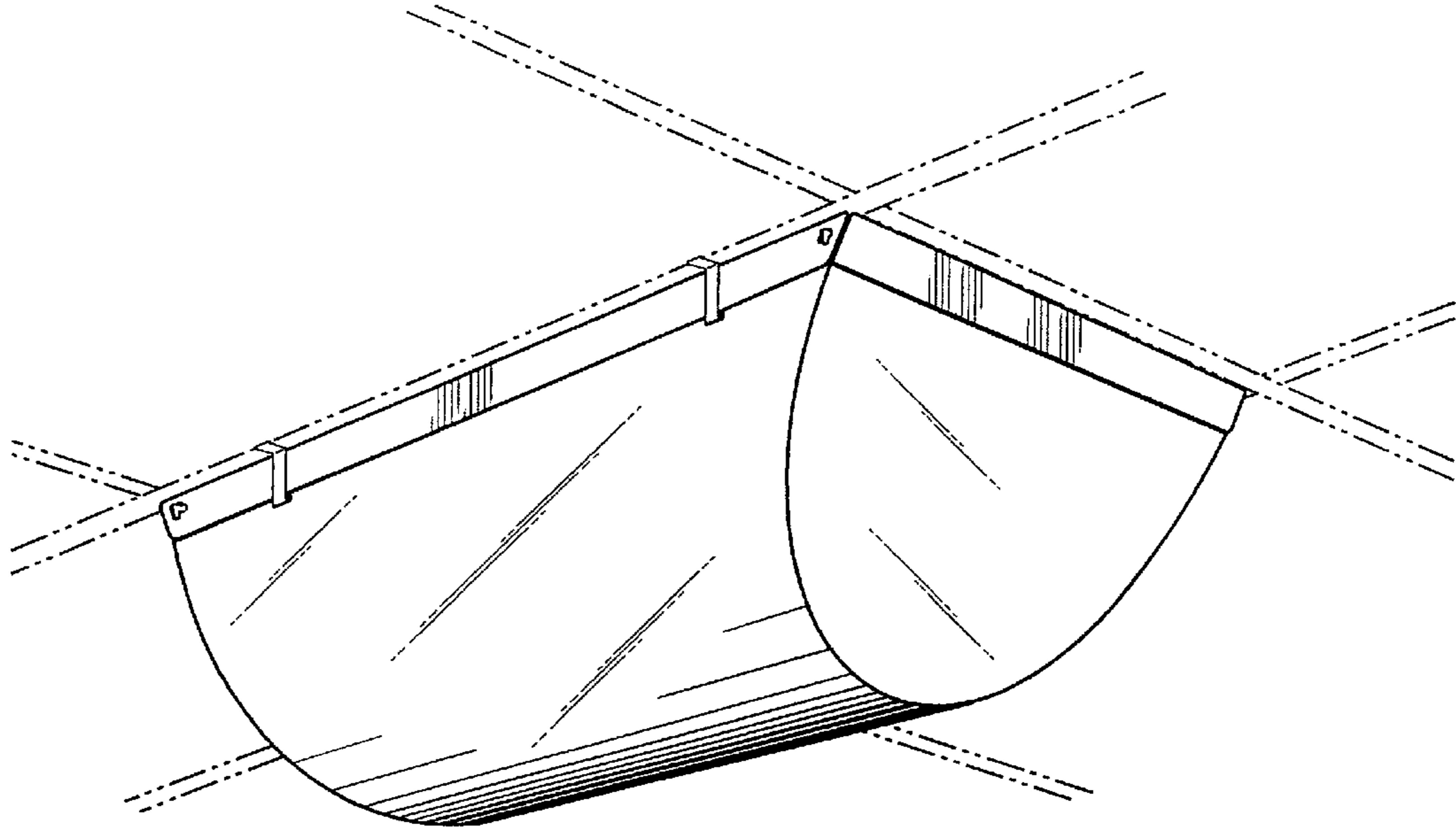


Fig. 1

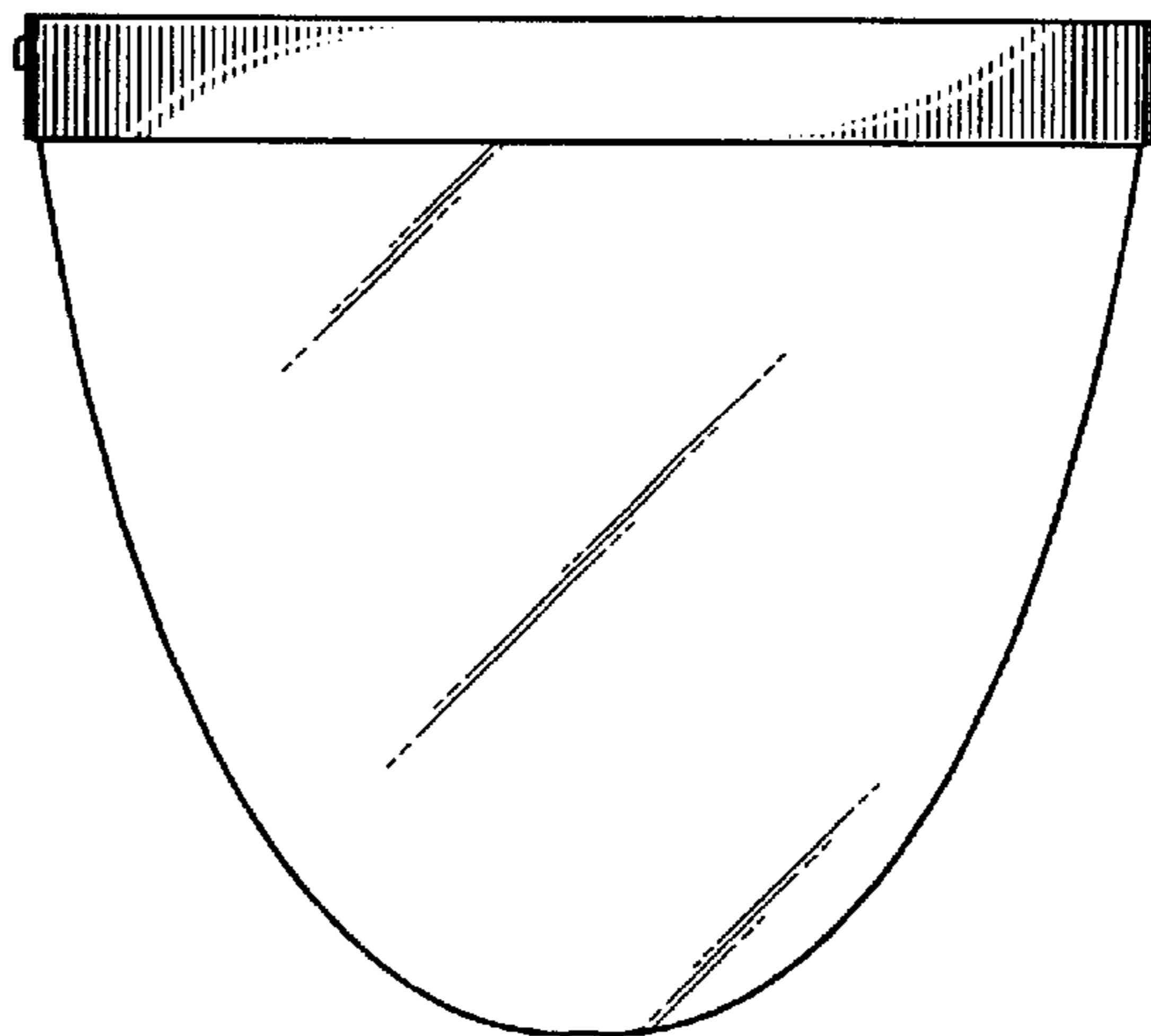


Fig. 2

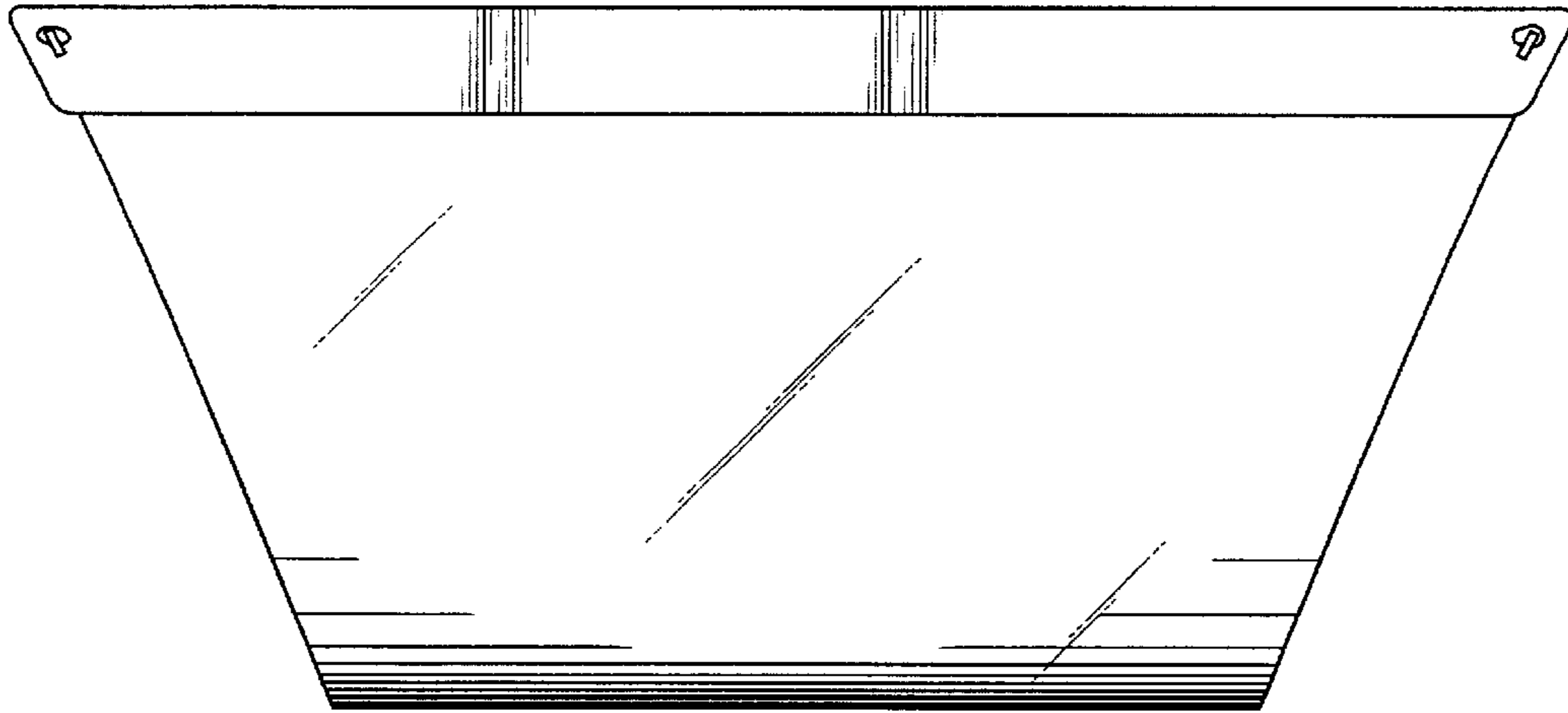


Fig. 3

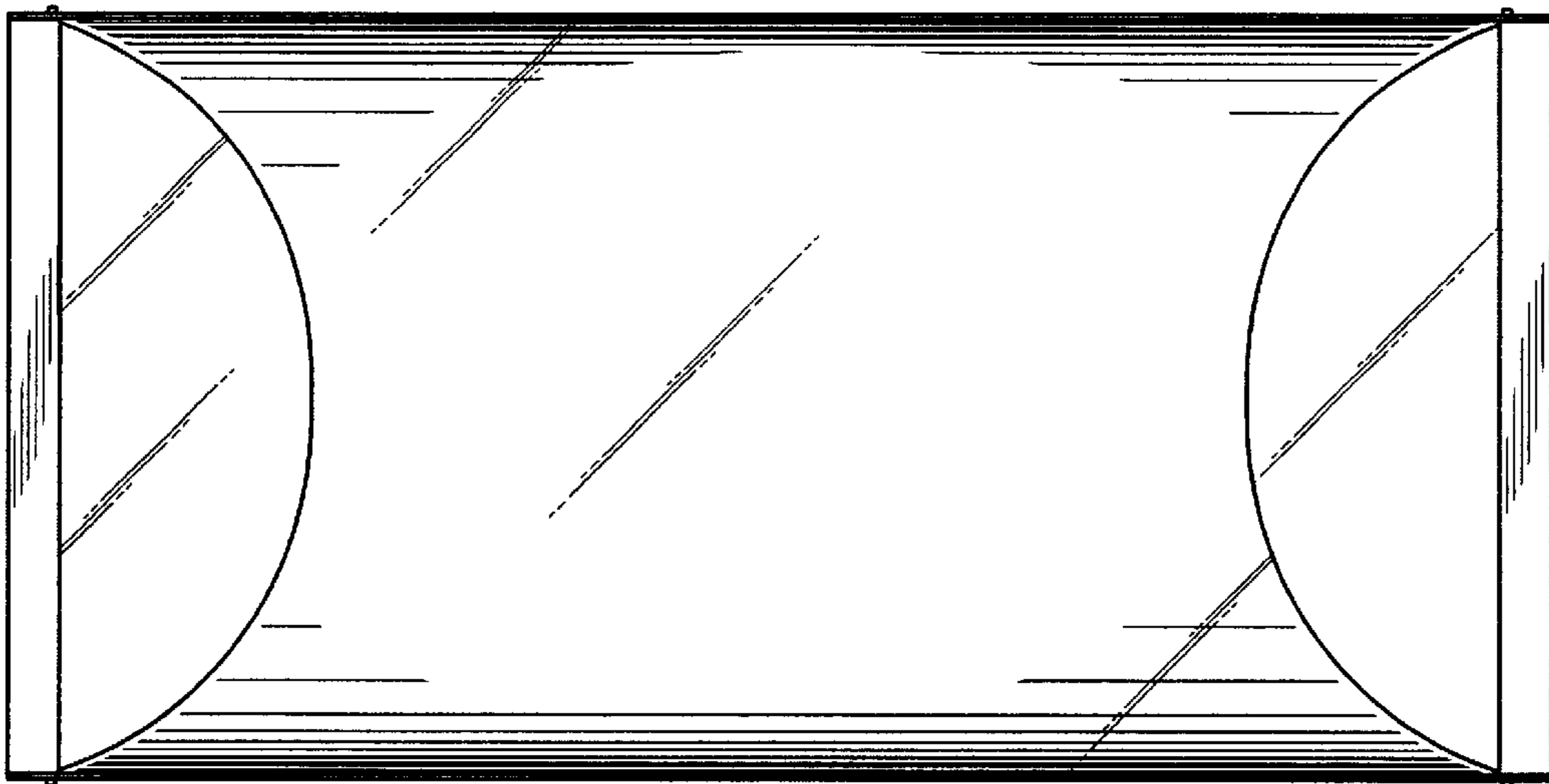


Fig. 4

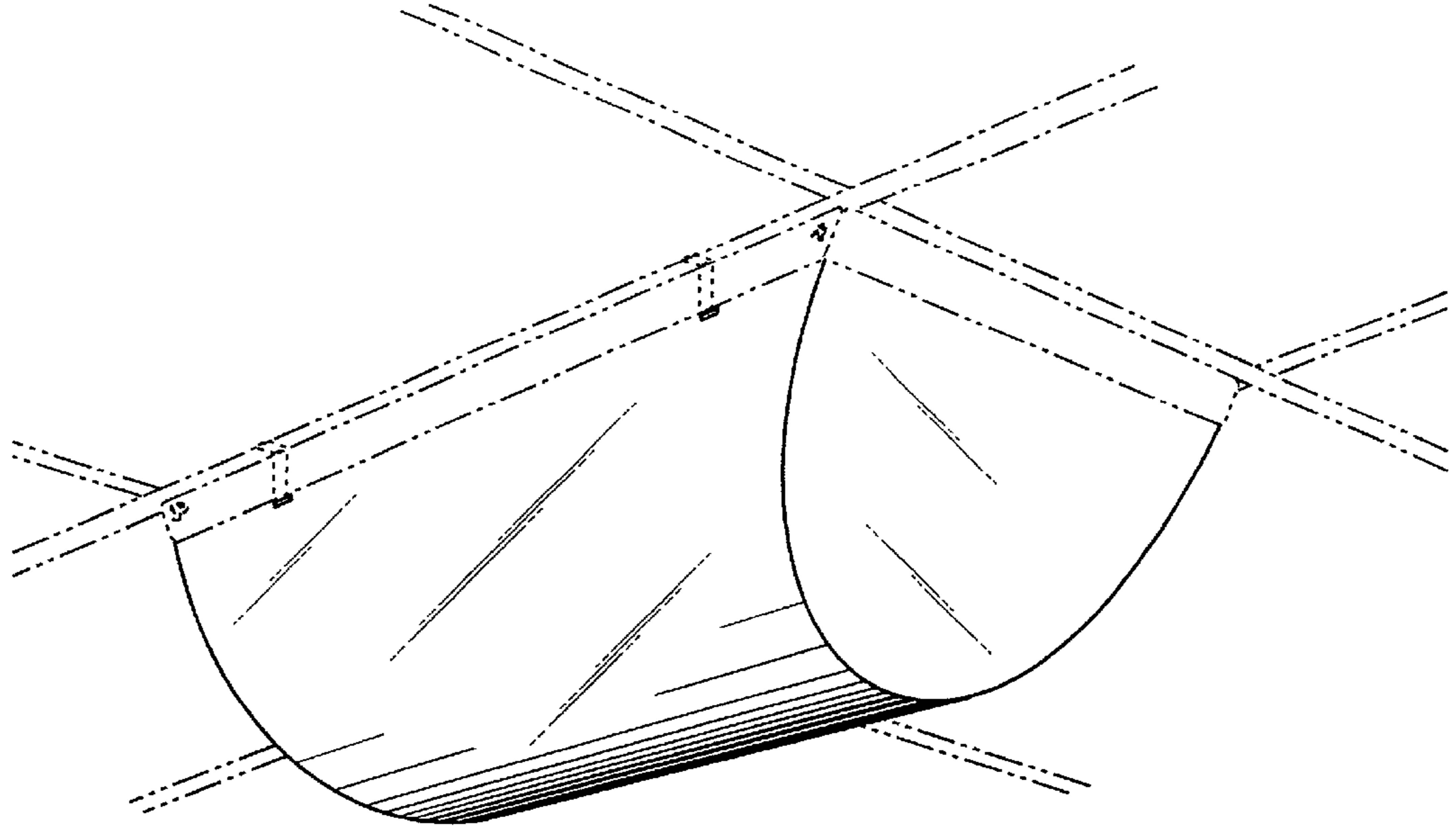


Fig. 5

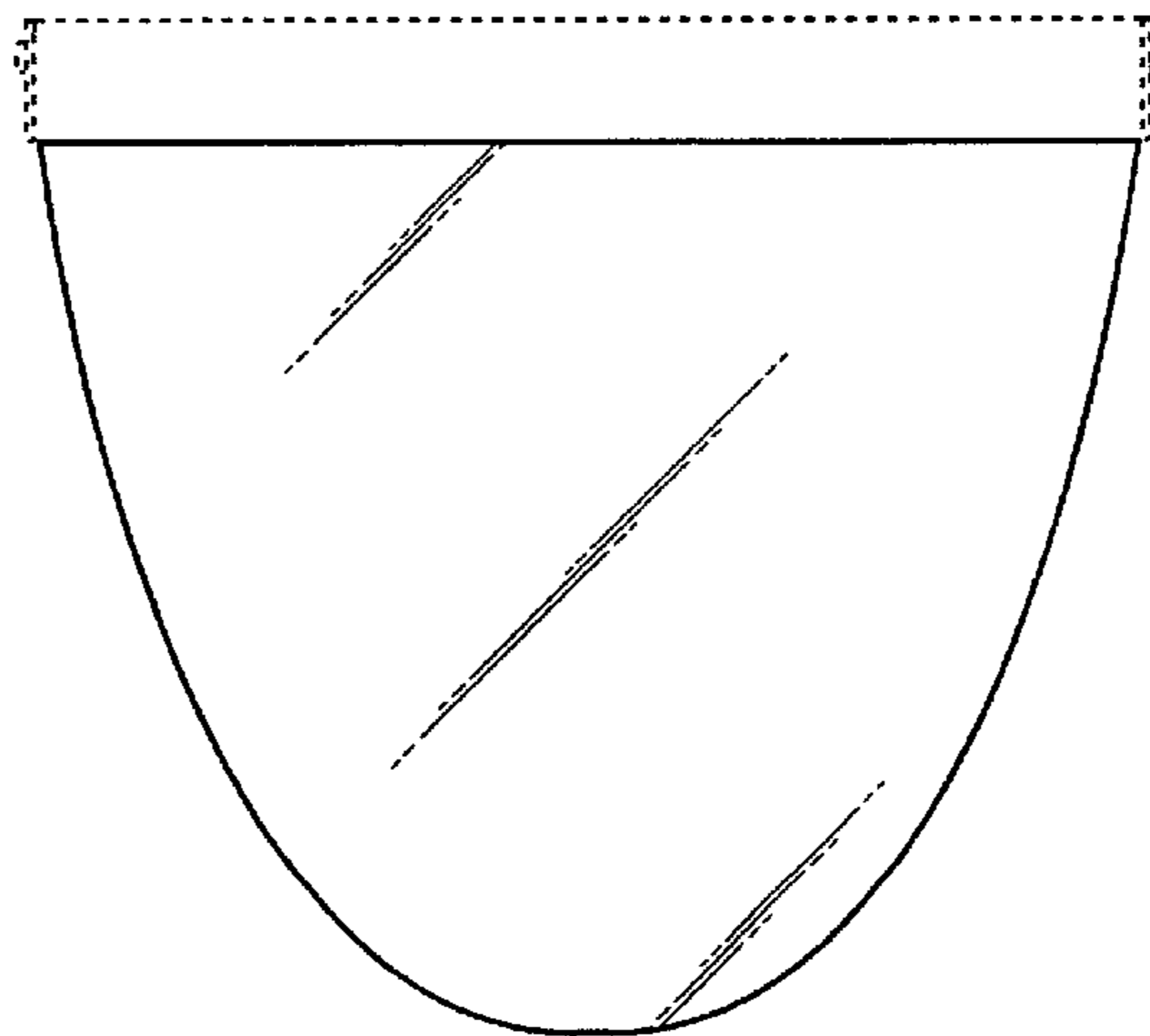


Fig. 6

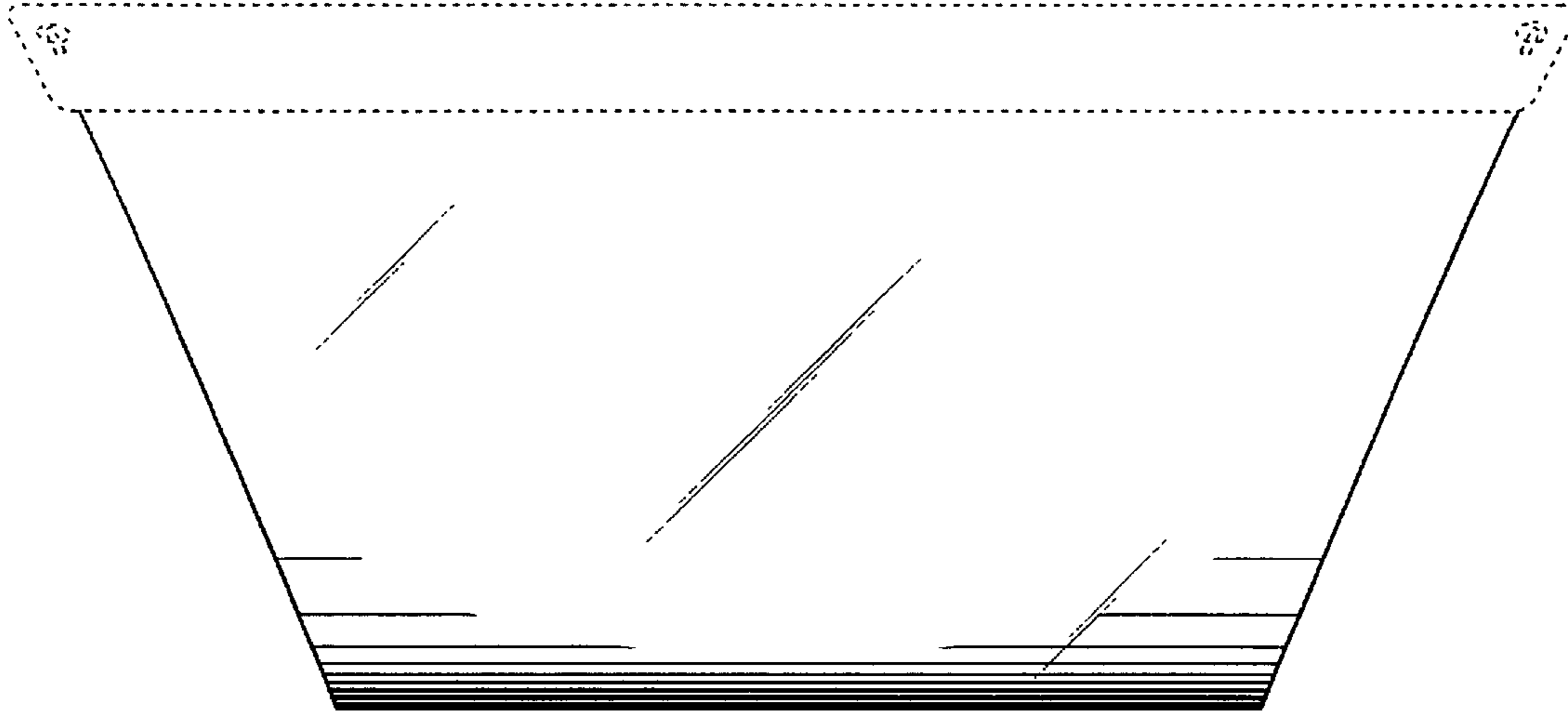


Fig. 1

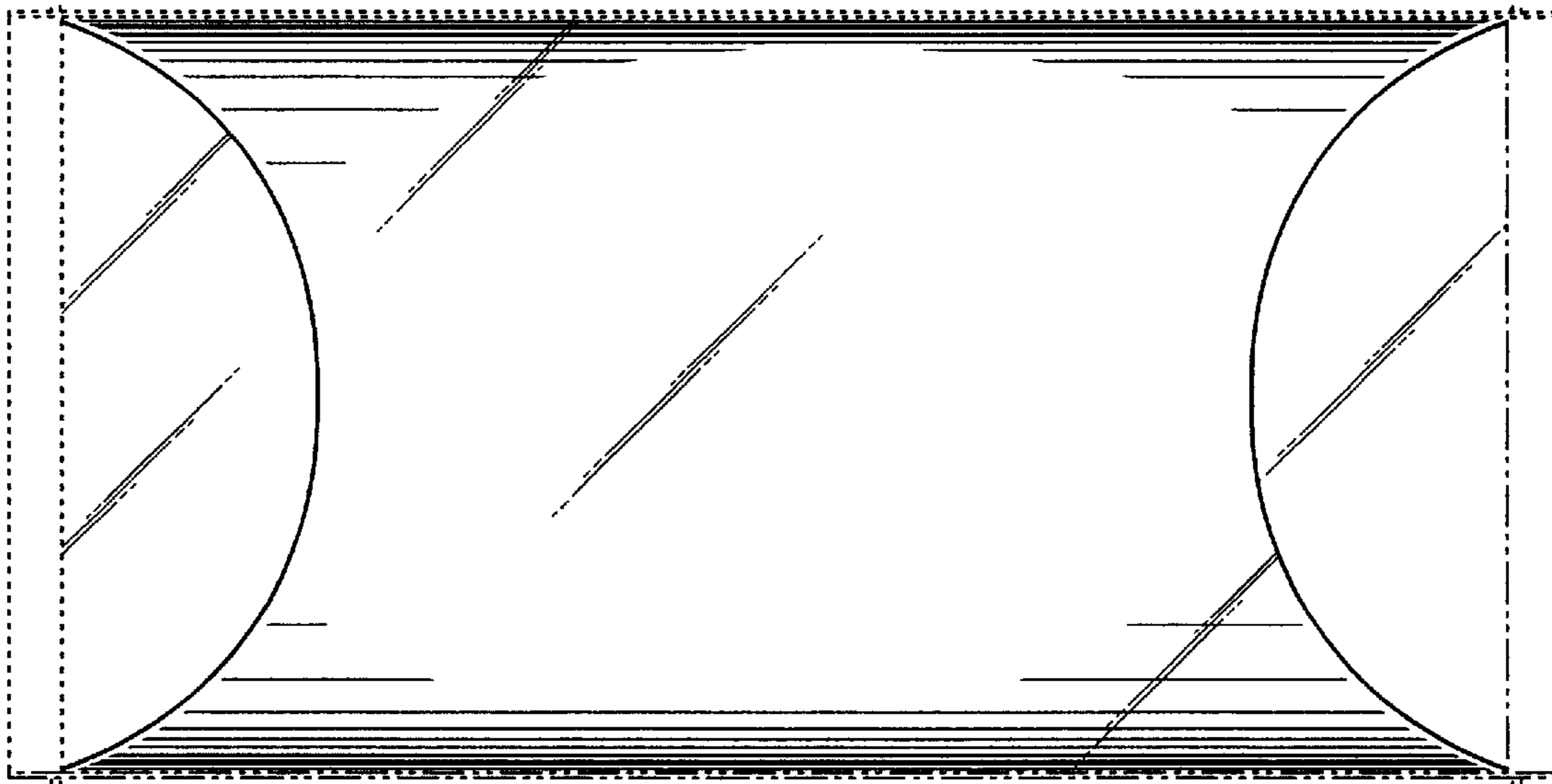


Fig. 2

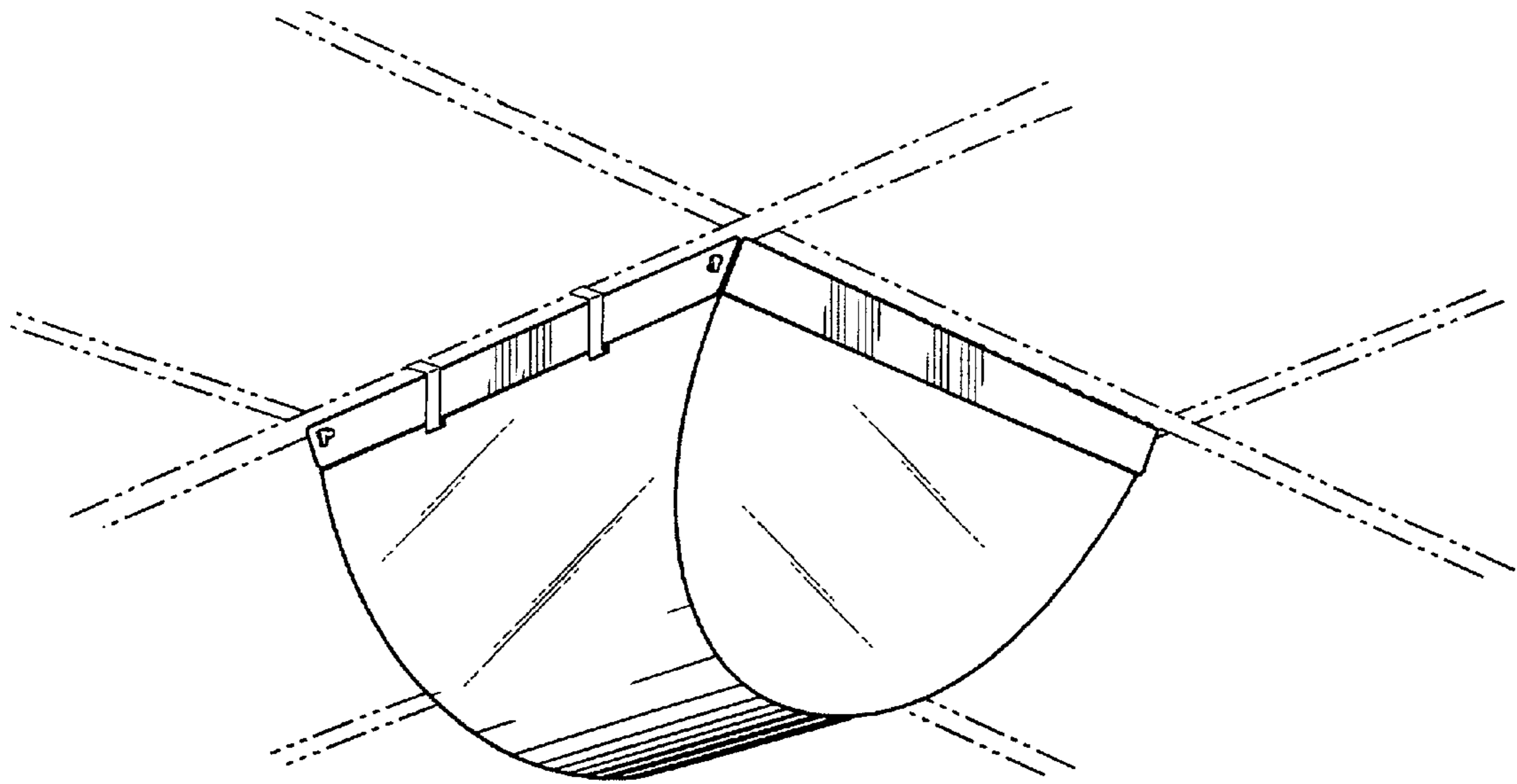


Fig. 9

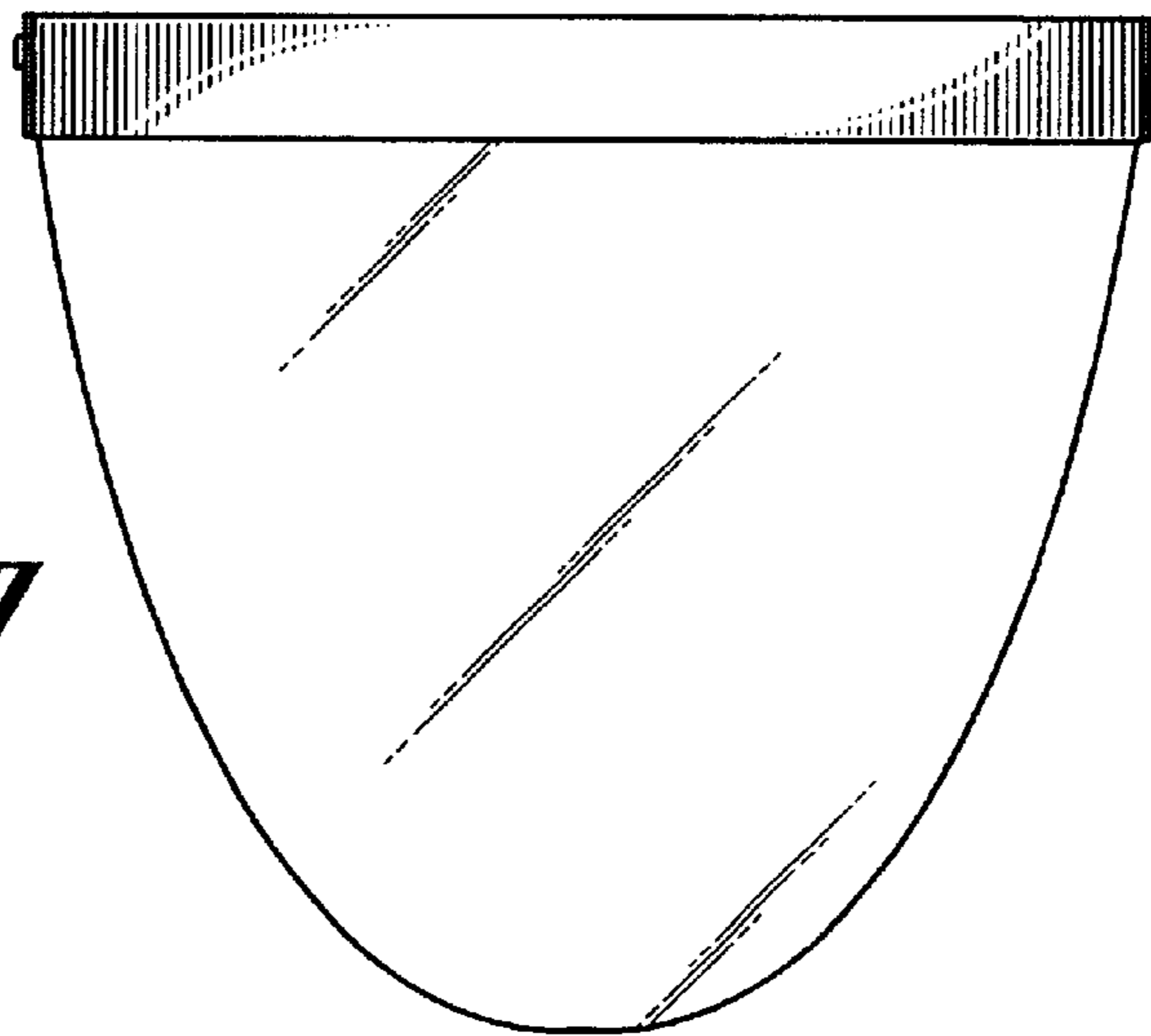


Fig. 10

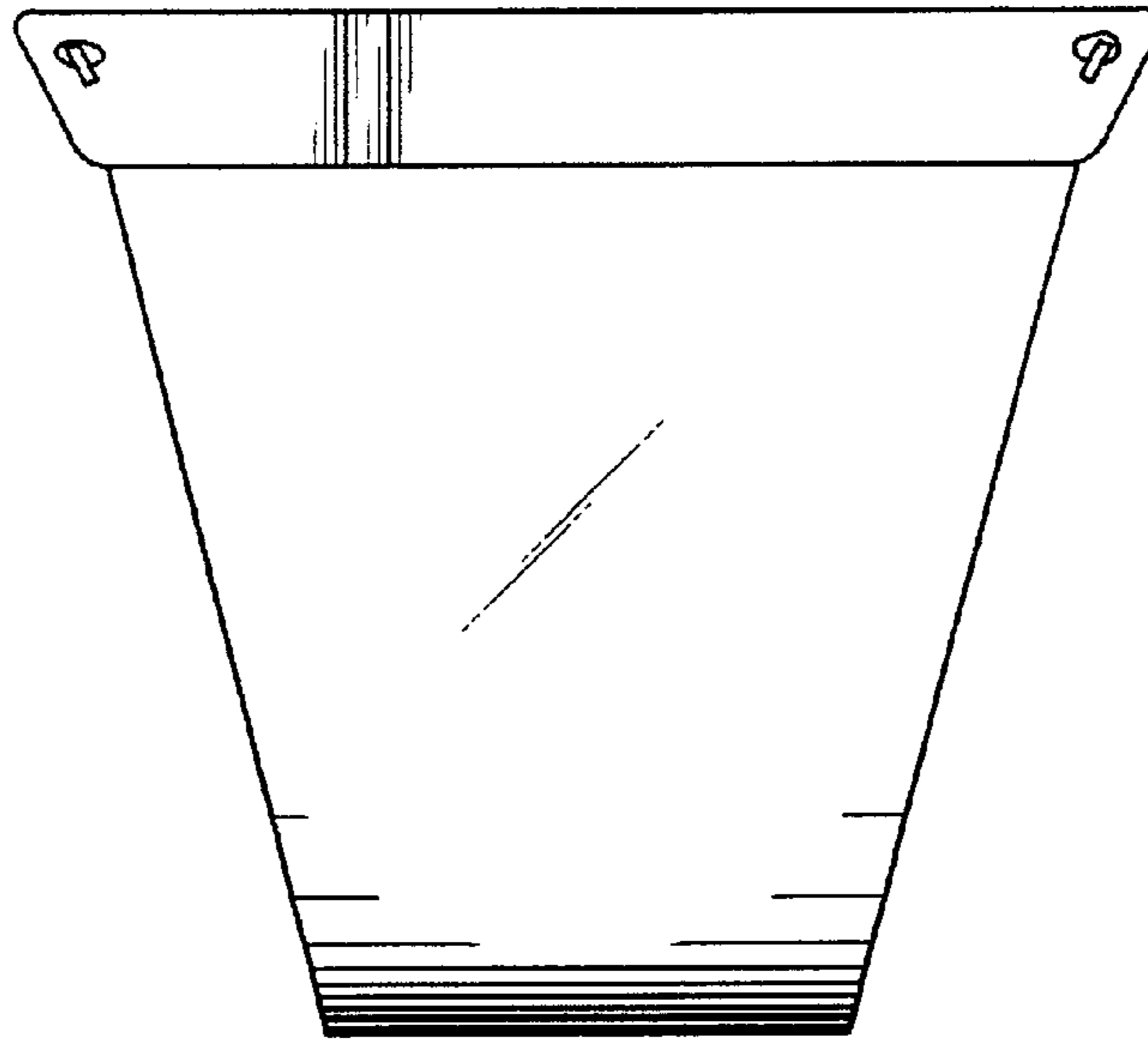


Fig. 11

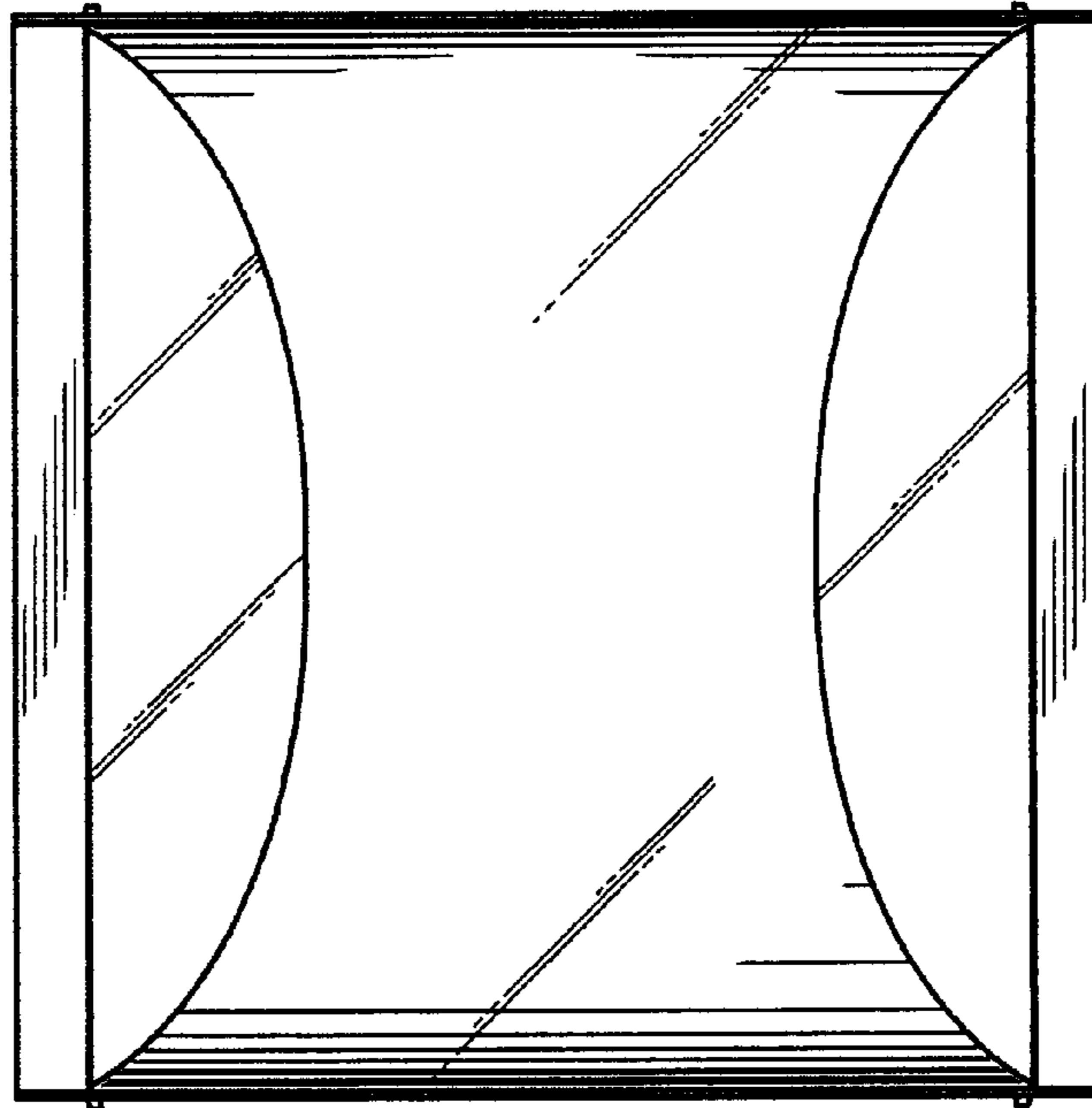


Fig. 12