

US00D508536S

(12) **United States Design Patent** (10) **Patent No.:** **US D508,536 S**
Gillet (45) **Date of Patent:** **** Aug. 16, 2005**

(54) **TRIPTYCH BANNER ASSEMBLY**
(75) Inventor: **Christophe Gillet**, Belmont-Luthezieu (FR)
(73) Assignee: **Entropies**, Belmont-Luthezieu (FR)
(**) Term: **14 Years**

(21) Appl. No.: **29/182,338**
(22) Filed: **May 27, 2003**
(30) **Foreign Application Priority Data**

Nov. 27, 2002 (FR) 02 7171
(51) **LOC (8) Cl.** **20-02**
(52) **U.S. Cl.** **D20/10; D6/462**
(58) **Field of Search** D20/10, 19, 39-42,
D20/99; D6/314, 329, 332, 449, 462; 40/603-4,
605, 606.12; 211/13, 42, 45, 169; 248/441.4,
441.1

(56) **References Cited**

U.S. PATENT DOCUMENTS

3,351,211 A * 11/1967 Best 211/169
D328,529 S * 8/1992 Lenarczyk D6/329
5,537,766 A * 7/1996 Nickens et al. 40/605
D390,879 S * 2/1998 Justen et al. D20/10
D391,298 S * 2/1998 Johnson et al. D20/10
D392,114 S * 3/1998 Thorp et al. D6/332
D405,976 S * 2/1999 Beall D20/10
5,983,545 A * 11/1999 Marco 40/610
D434,806 S * 12/2000 Justen et al. D20/10
D434,807 S * 12/2000 Justen et al. D20/10
D486,671 S * 2/2004 Gillet D20/10
D488,937 S * 4/2004 Gillet D20/10

OTHER PUBLICATIONS

U.S. Appl. No. 29/171,762, filed Nov. 29, 2002, Gillet.
U.S. Appl. No. 29/171,765, filed Nov. 29, 2002, Gillet.

* cited by examiner

Primary Examiner—Robert M. Spear
(74) *Attorney, Agent, or Firm*—Oliff & Berridge, PLC

(57) **CLAIM**

The ornamental design for a triptych banner assembly, as shown and described.

DESCRIPTION

The disclosure of related U.S. Design Application No. 29/182,339, filed May 27, 2003 is herein incorporated by reference in its entirety.

FIG. 1 is a front view of a triptych banner assembly, including left, right, and center sections;

FIG. 2 is a front view of the left section shown removed from the triptych for clarity of disclosure, the right section being identical to the left section;

FIG. 3 is a perspective view of the left section shown removed from the triptych for clarity of disclosure, the right section being identical to the left section;

FIG. 4 is a right-side view of the left section shown removed from the triptych for clarity of disclosure, the right section being identical to the left section;

FIG. 5 is a left-side view of the left section shown removed from the triptych for clarity of disclosure, the right section being identical to the left section;

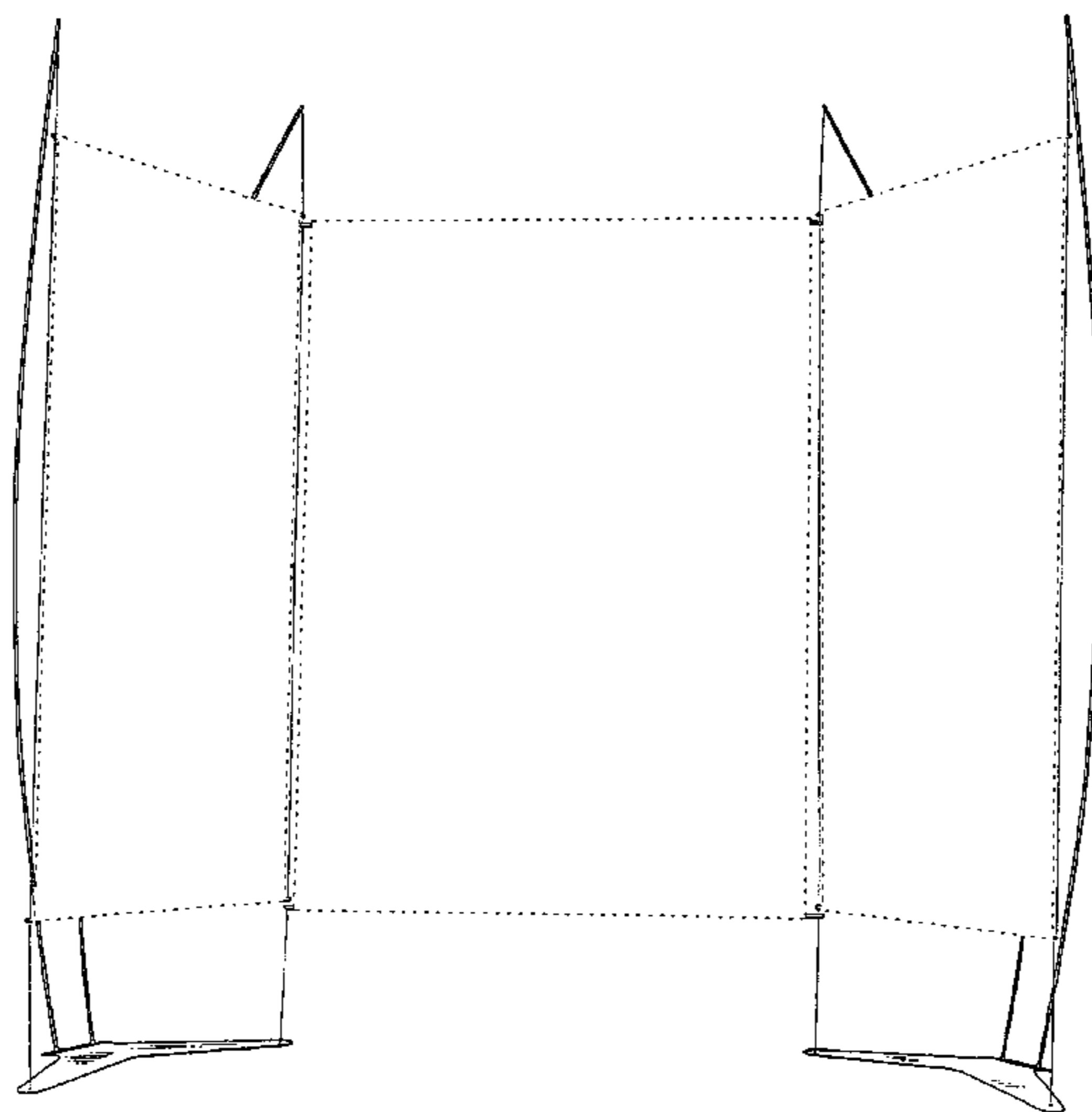
FIG. 6 is a rear view of the left section shown removed from the triptych for clarity of disclosure, the right section being identical to the left section;

FIG. 7 is a top view of the left section shown removed from the triptych for clarity of disclosure, the right section being identical to the left section; and,

FIG. 8 is a bottom view of the left section shown removed from the triptych for clarity of disclosure, the right section being identical to the left section.

The broken lines represent environmental structure and form no part of the claimed design.

1 Claim, 8 Drawing Sheets



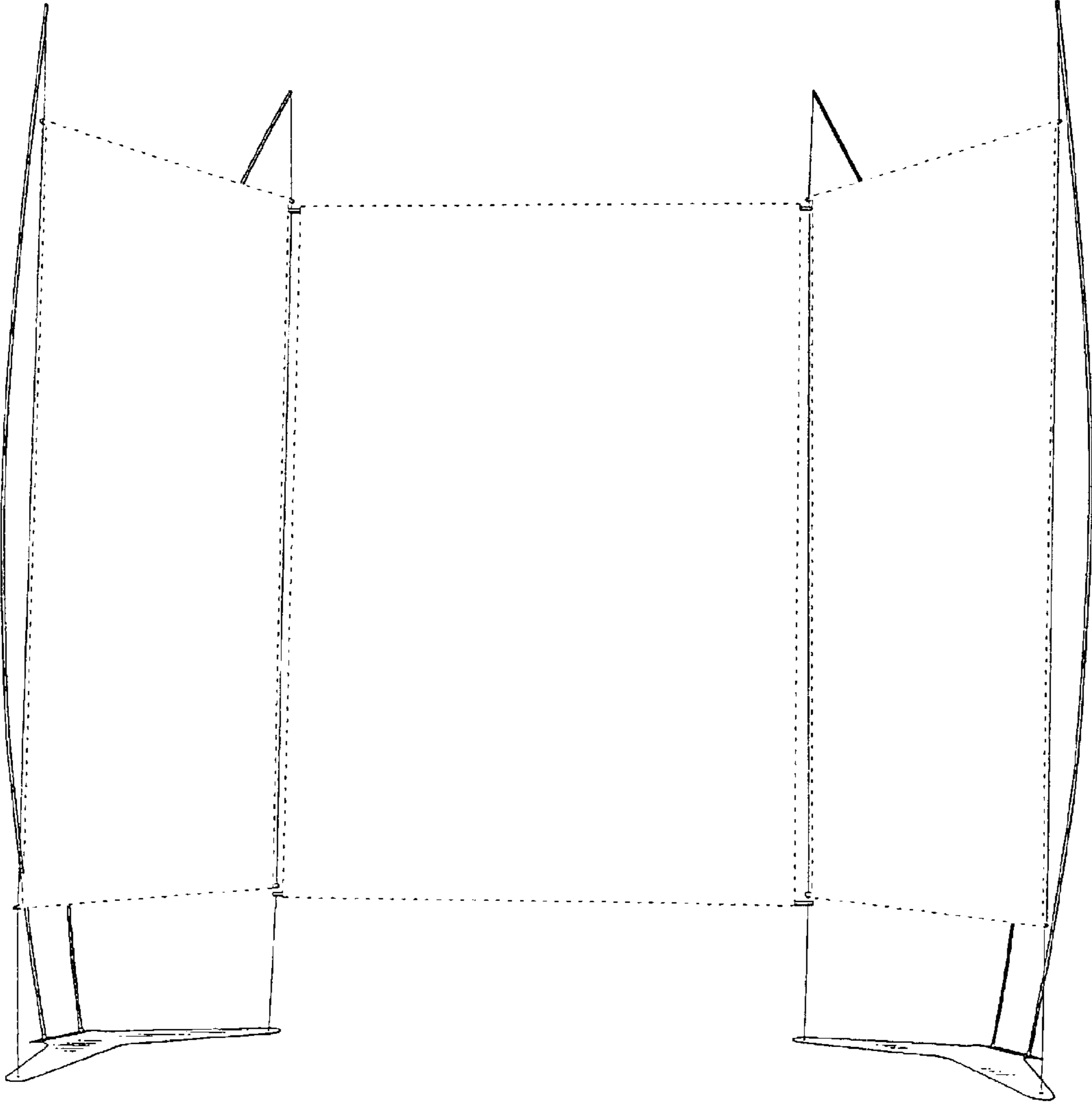


FIG. 1

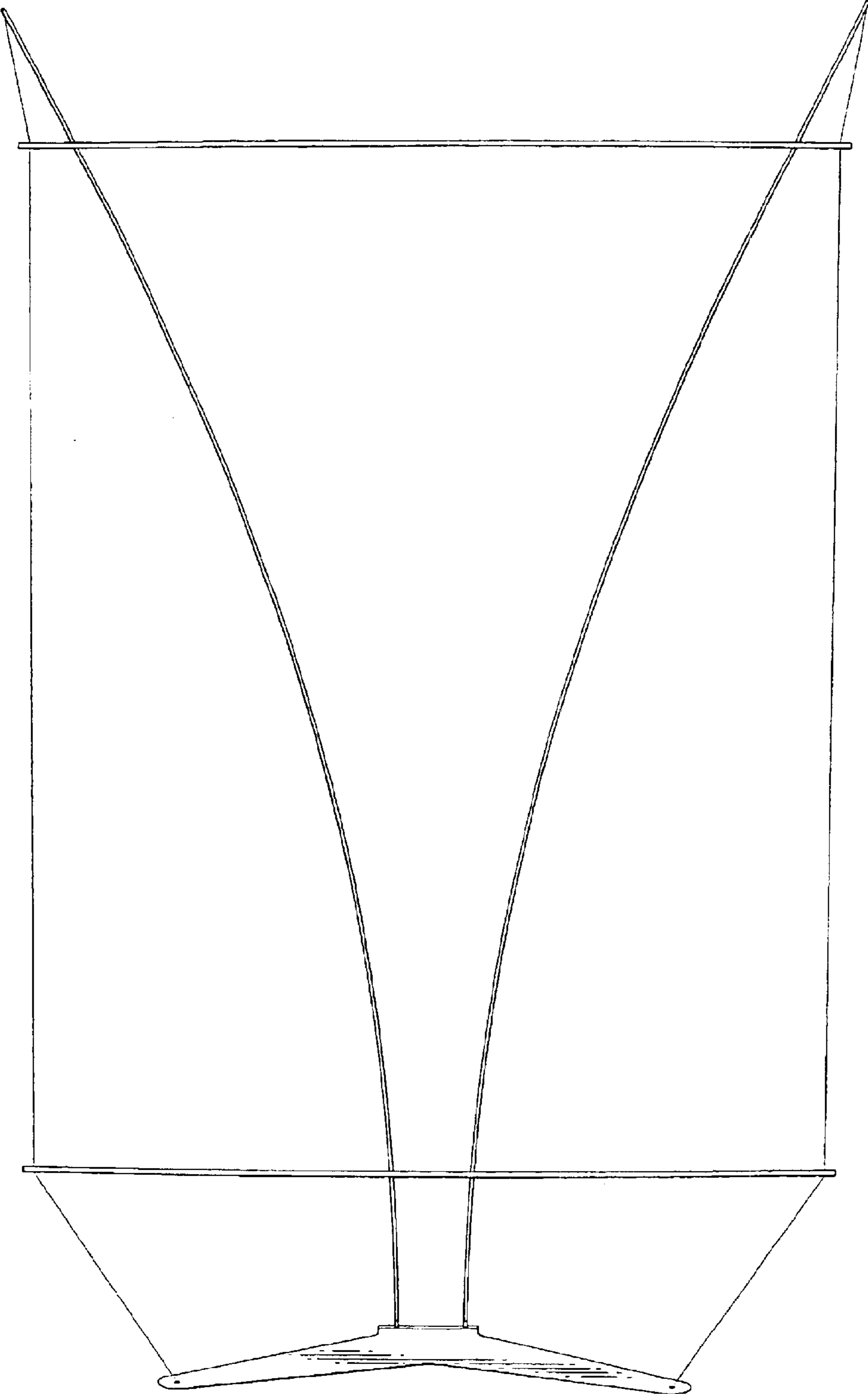


FIG. 2

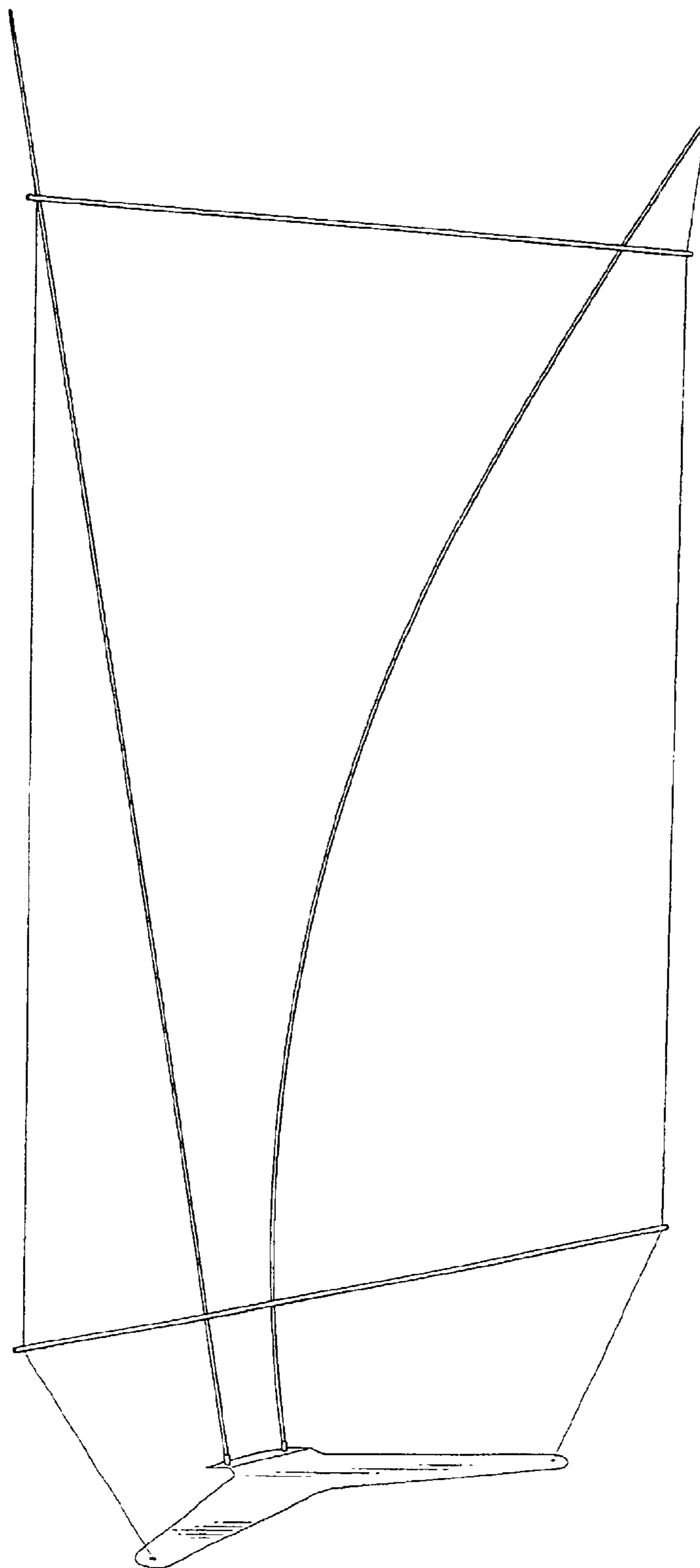


FIG. 3

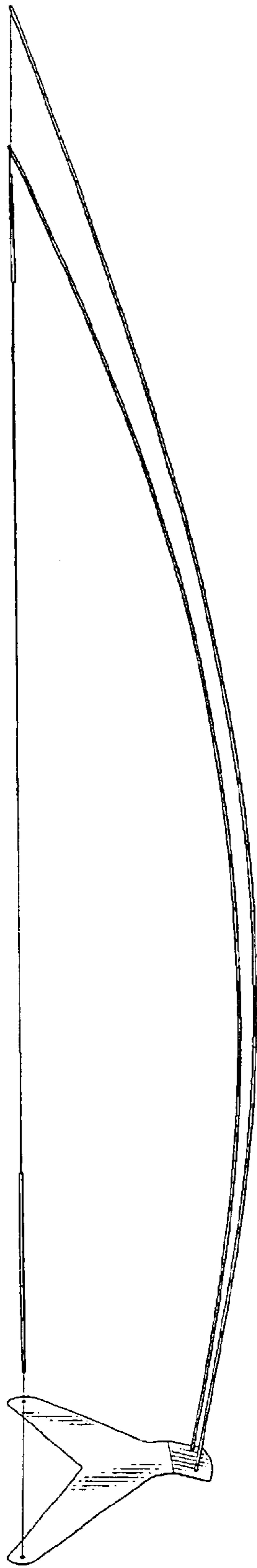


FIG. 4

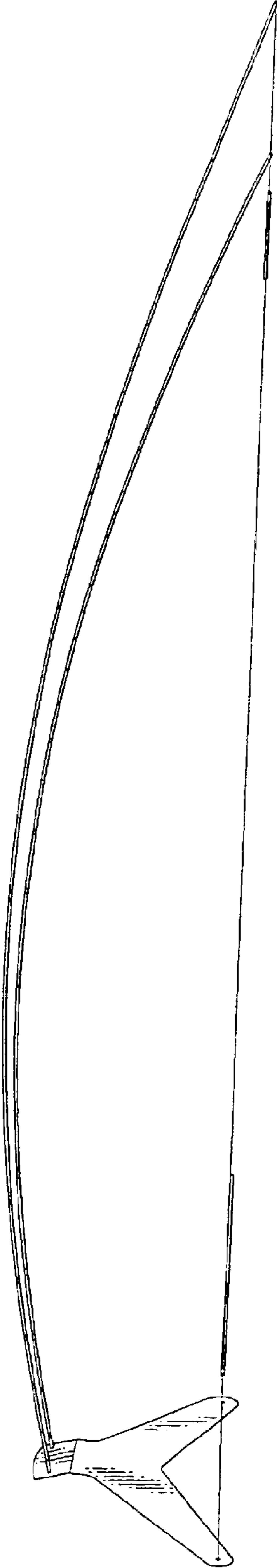


FIG. 5

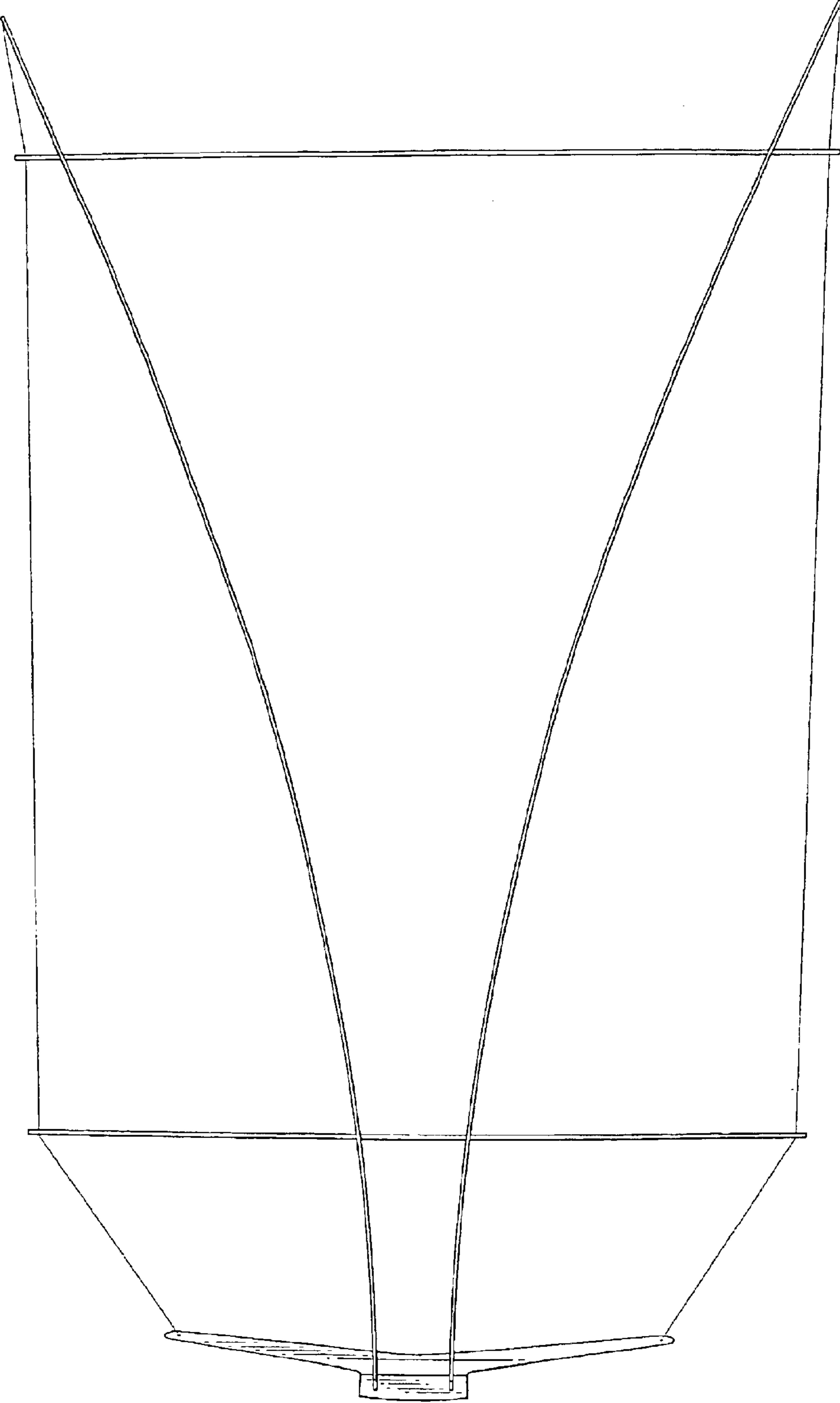


FIG. 6

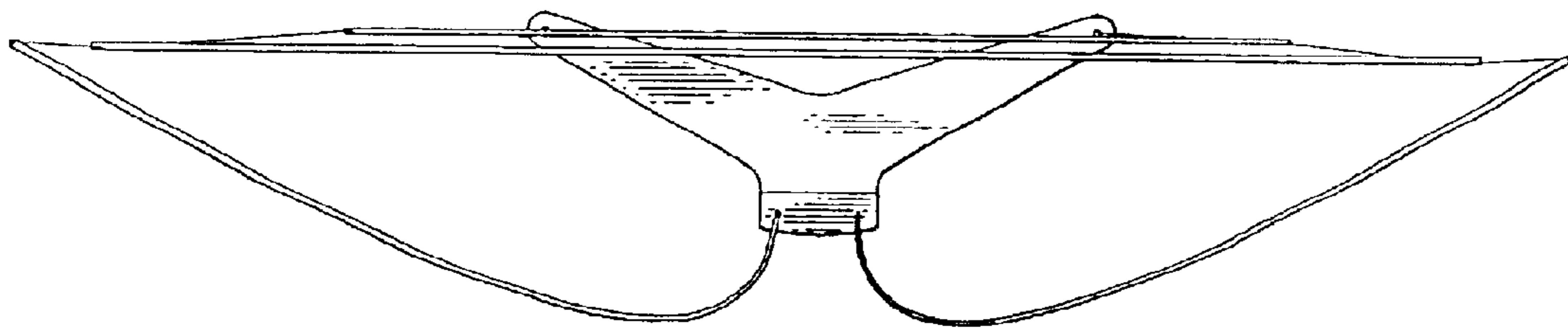


FIG. 7

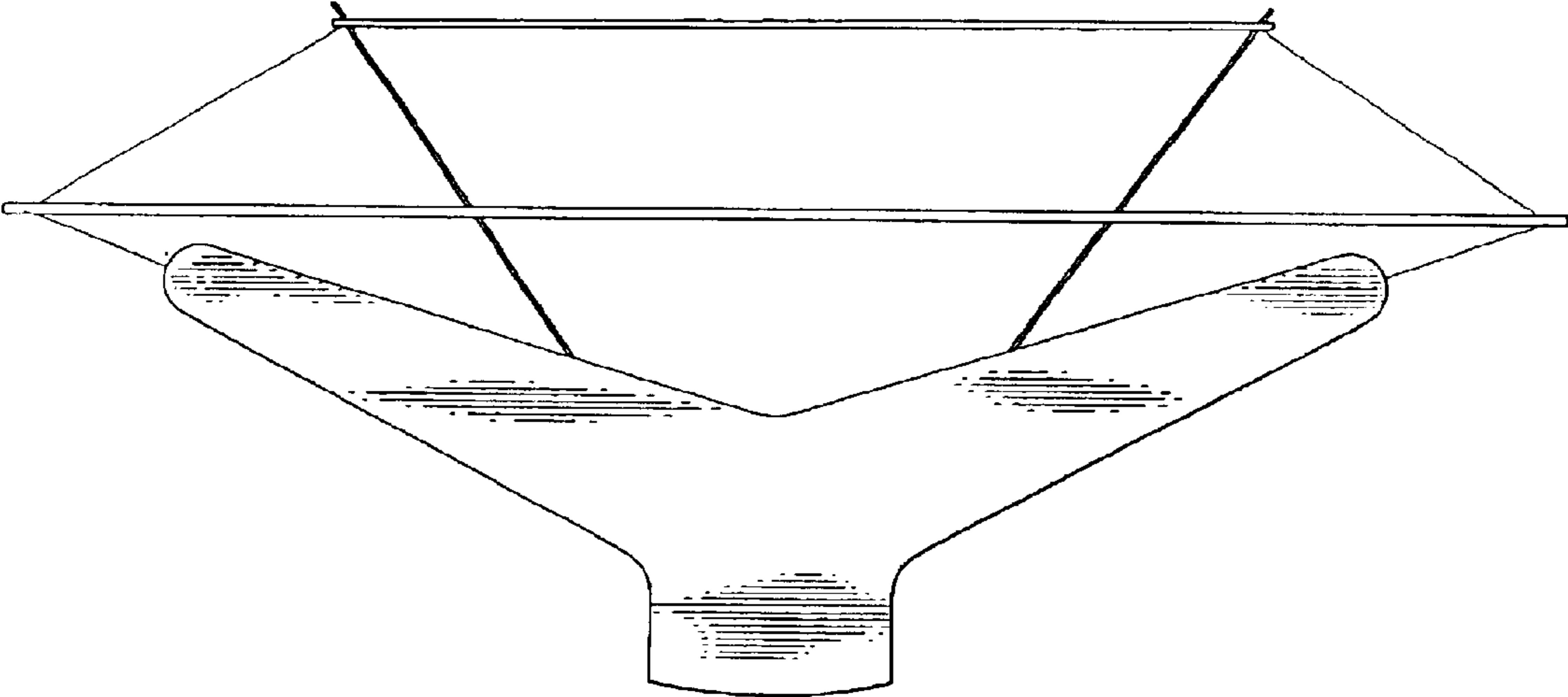


FIG. 8