



US00D508531S

(12) **United States Design Patent**
Hsu

(10) **Patent No.:** **US D508,531 S**

(45) **Date of Patent:** **** Aug. 16, 2005**

(54) **DISPENSER FOR ADHESIVE COATED
NOTEPAPERS**

5,798,159 A * 8/1998 Callahan et al. 221/63
D456,849 S * 5/2002 Thompson et al. D19/86

(76) **Inventor:** **Nick Hsu**, 8F-1, No. 424, Chungming
Rd., Taichung (TW)

* cited by examiner

Primary Examiner—Martie K. Holtje

(74) *Attorney, Agent, or Firm*—Rosenberg, Klein & Lee

(**) **Term:** **14 Years**

(57) **CLAIM**

(21) **Appl. No.:** **29/220,635**

The ornamental design for a dispenser for adhesive coated notepapers, as shown and described.

(22) **Filed:** **Jan. 5, 2005**

(51) **LOC (8) Cl.** **19-02**

DESCRIPTION

(52) **U.S. Cl.** **D19/86; D6/518**

(58) **Field of Search** D19/65, 67-69,
D19/75, 76, 78, 86, 91, 92, 95, 99, 100;
206/39.3, 39.7, 215, 557; 211/10, 11, 13.1;
221/33, 35, 36, 46-49, 51, 52, 45, 56, 61,
63, 141, 259, 181, 185, 197, 281, 282

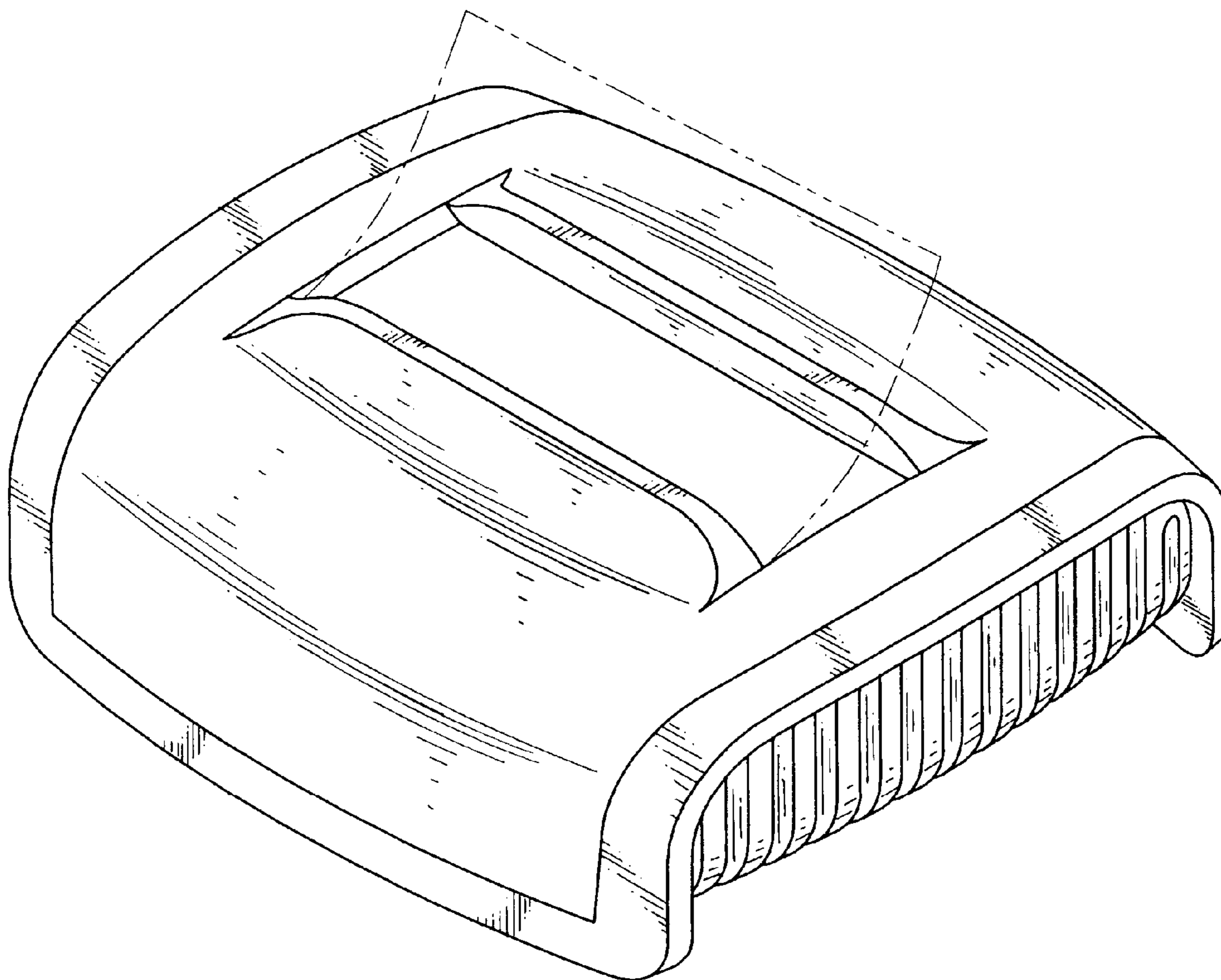
FIG. 1 is a perspective view of a dispenser for adhesive coated notepapers, showing my new design;
FIG. 2 is a front view thereof;
FIG. 3 is a rear view thereof;
FIG. 4 is a left side view thereof;
FIG. 5 is a right side view thereof;
FIG. 6 is a top view thereof;
FIG. 7 is a bottom view thereof; and,
FIG. 8 is a perspective view of FIG. 1, wherein the broken lines are shown for illustrative purposes only and form no part of the claimed design.

(56) **References Cited**

U.S. PATENT DOCUMENTS

4,796,781 A * 1/1989 Windorski 221/45
5,167,346 A * 12/1992 Bodziak 221/63
D357,938 S * 5/1995 Wolff D19/86
5,755,356 A * 5/1998 Bastiaens et al. 221/33

1 Claim, 8 Drawing Sheets



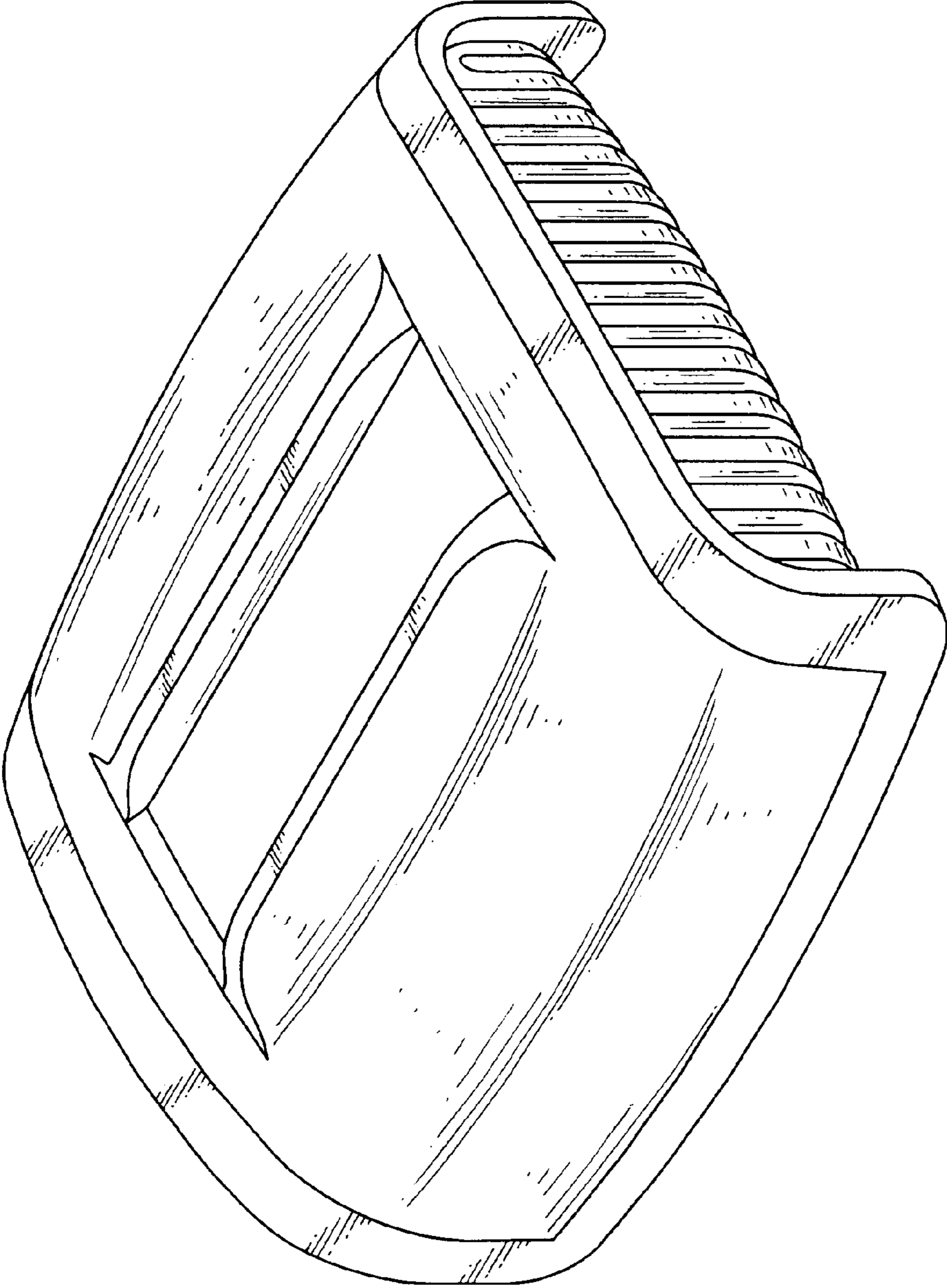


FIG. 1

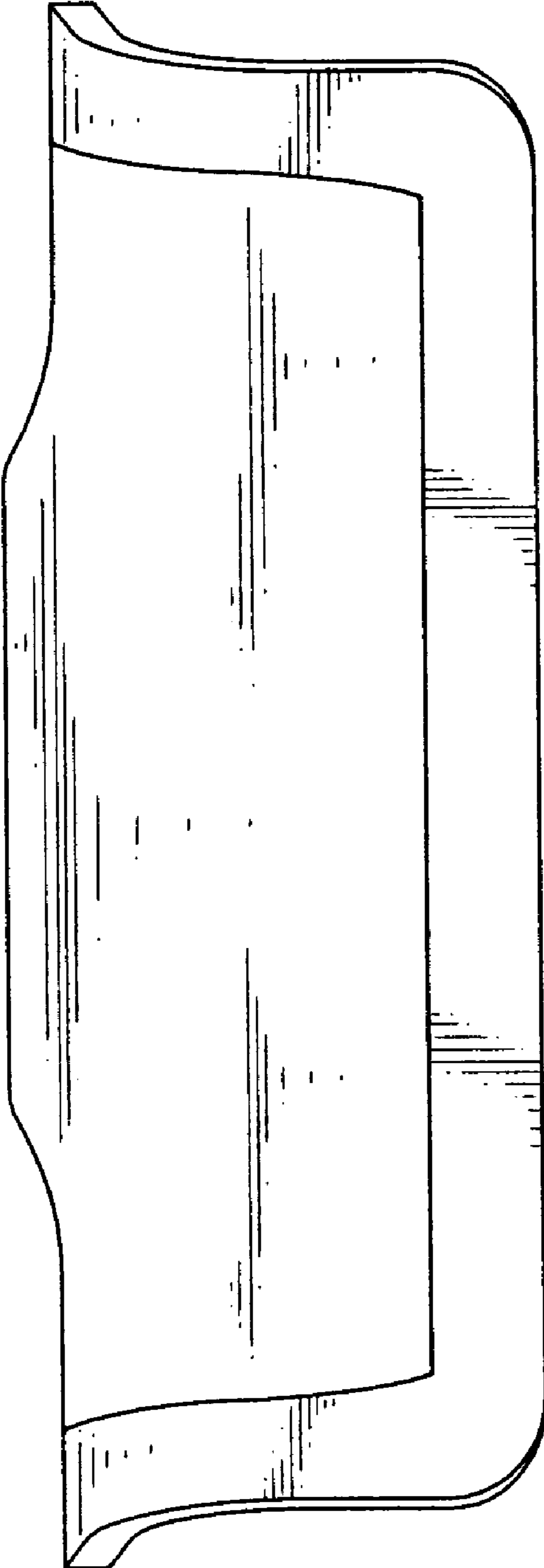


FIG. 2

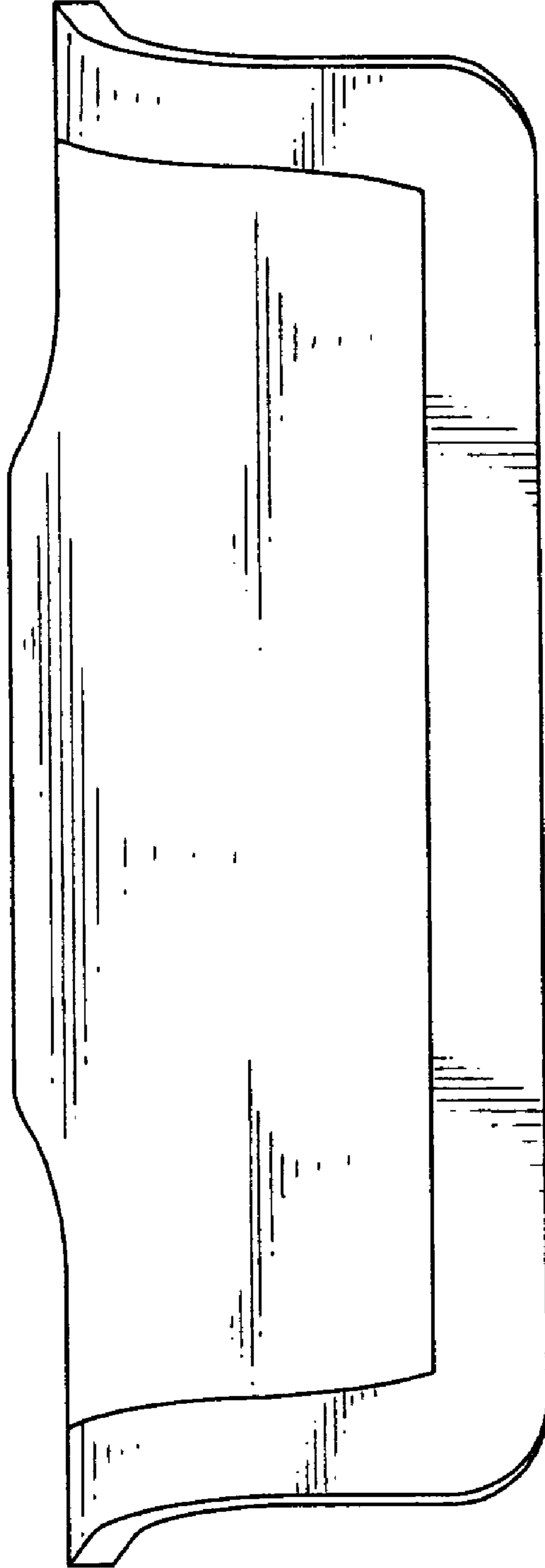


FIG. 3

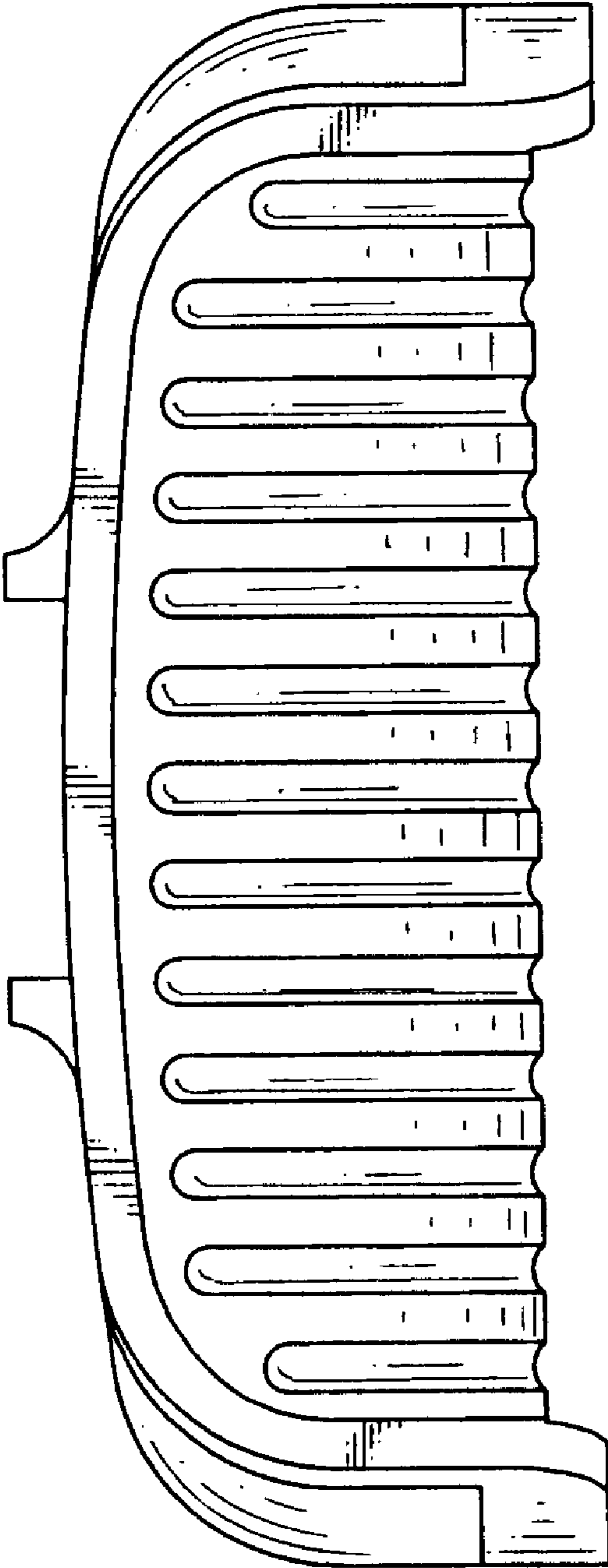


FIG. 4

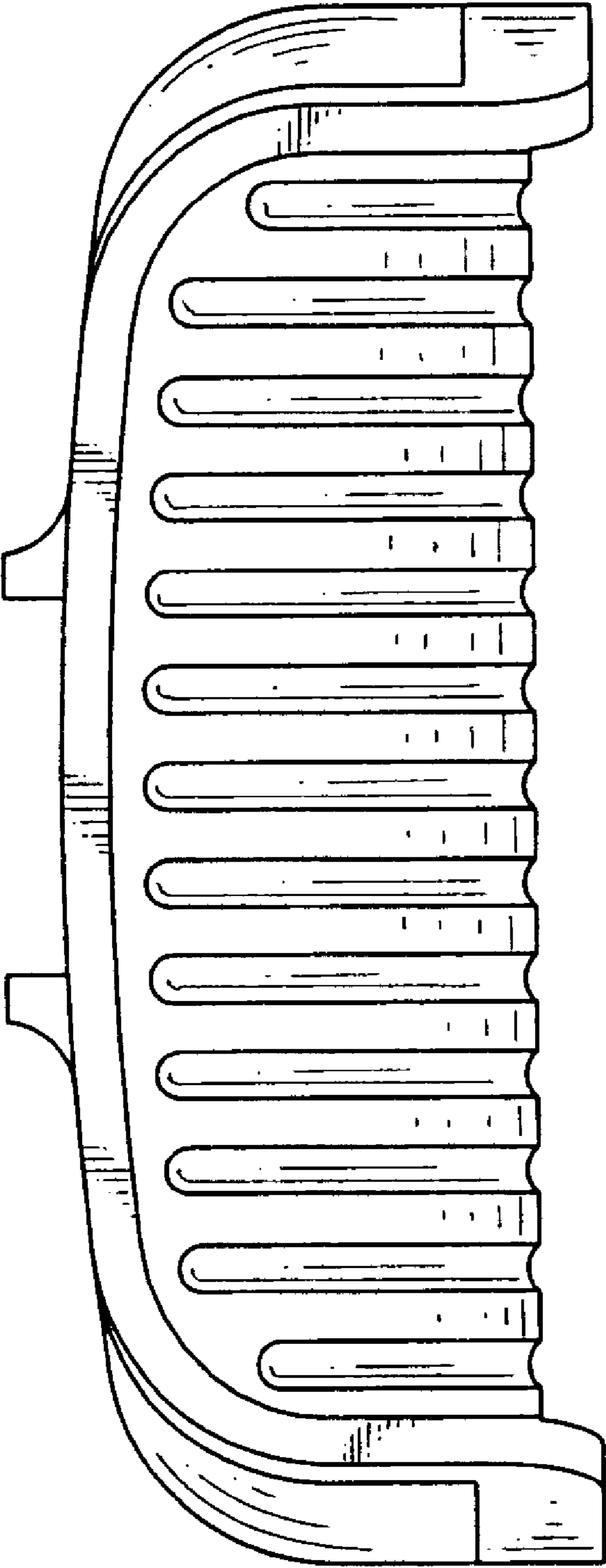


FIG. 5

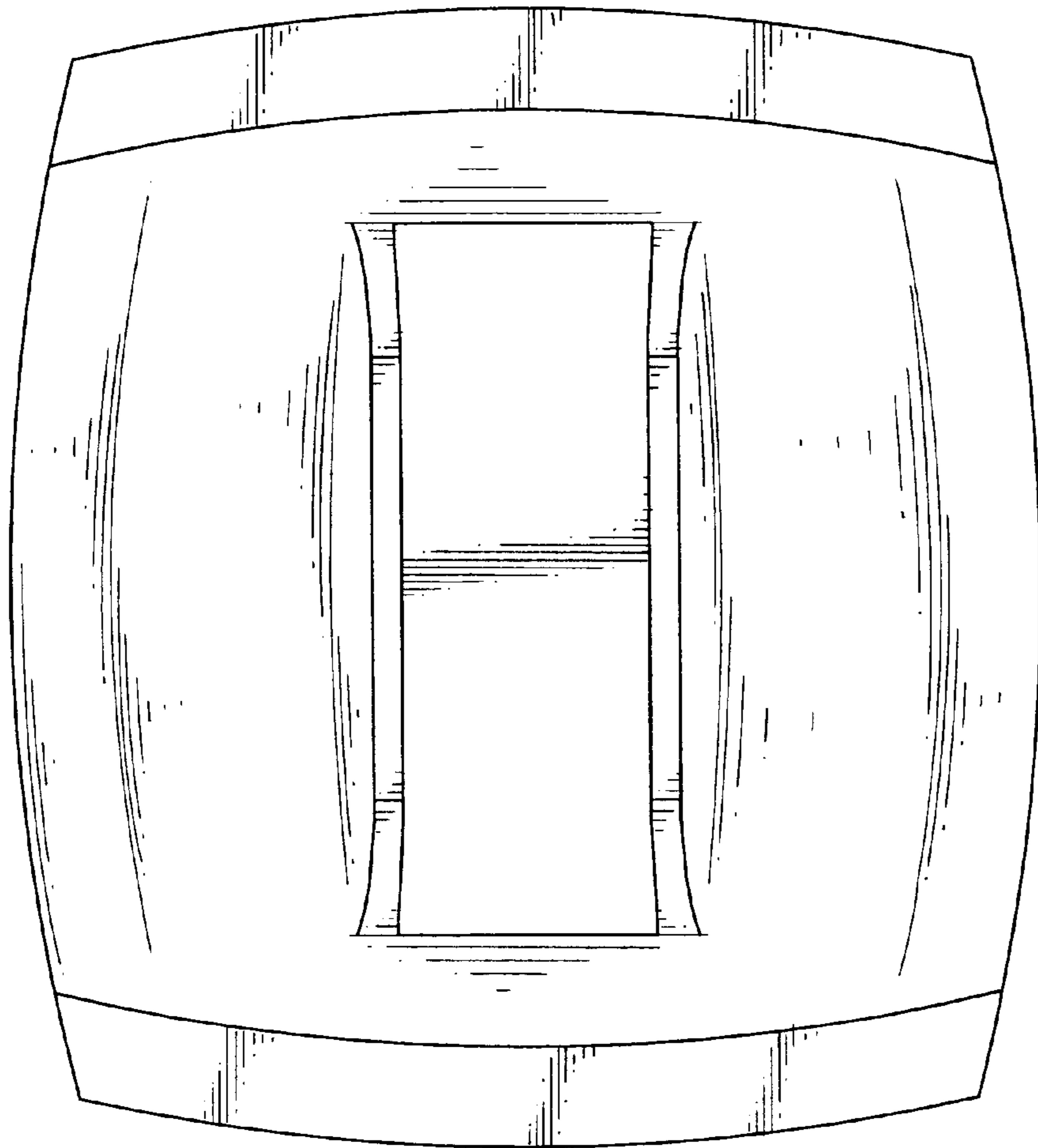


FIG. 6

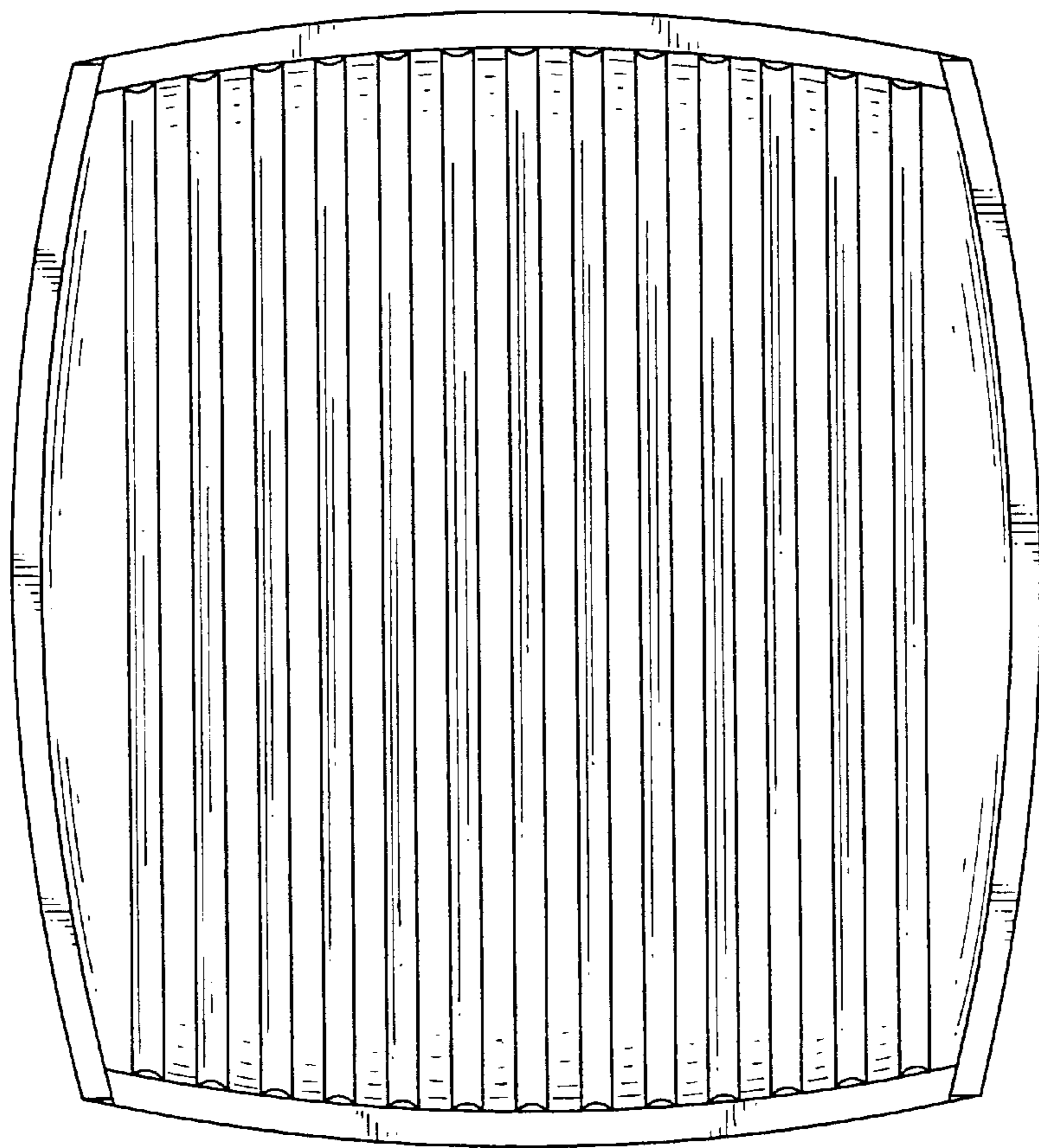


FIG. 7

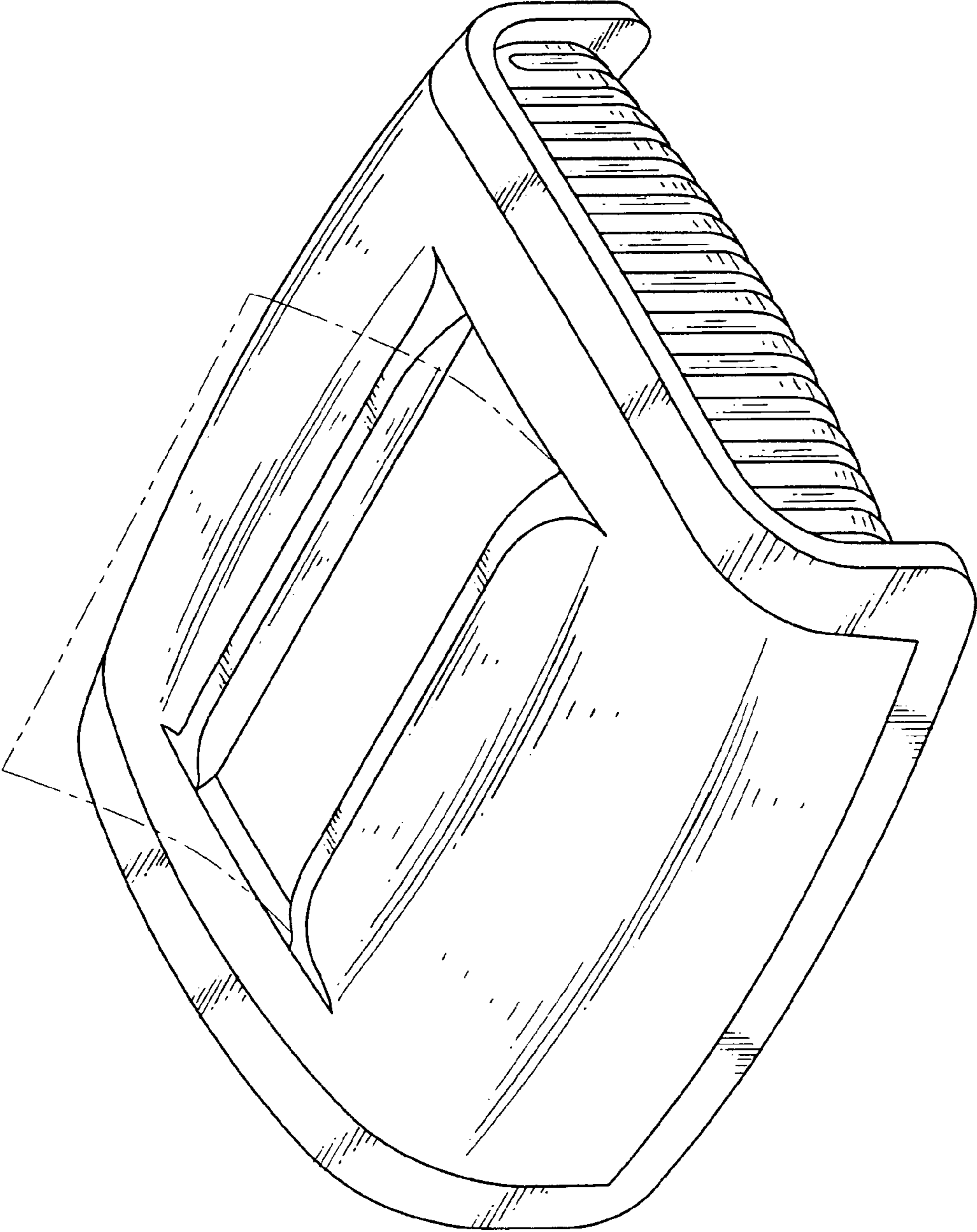


FIG. 8