



US00D508528S

(12) **United States Design Patent**
Shimizu

(10) **Patent No.:** **US D508,528 S**

(45) **Date of Patent:** **** Aug. 16, 2005**

(54) **ELECTRONIC PEN**

(75) **Inventor:** **Kazuhisa Shimizu, Tokyo (JP)**

(73) **Assignee:** **Pentel Kabushiki Kaisha, Tokyo (JP)**

(**) **Term:** **14 Years**

(21) **Appl. No.:** **29/215,594**

(22) **Filed:** **Oct. 21, 2004**

(30) **Foreign Application Priority Data**

Apr. 27, 2004 (JP) 2004-012694

(51) **LOC (8) Cl.** **19-06**

(52) **U.S. Cl.** **D19/48; D19/49; D14/411**

(58) **Field of Search** D19/35, 36, 41-51,
D19/53-58, 81-85; 401/6, 7, 88, 52, 195,
29-34, 37, 18-21, 209; 178/19, 19.01-19.06;
345/179-183; 24/10 R, 11 R, 11 P, 11 PP,
11 F, 11 M

(56) **References Cited**

U.S. PATENT DOCUMENTS

D145,586 S * 9/1946 Reynolds D19/48
D230,403 S * 2/1974 Englund D14/411

6,056,462 A * 5/2000 Fukai et al. 401/6
6,204,457 B1 * 3/2001 Shekhel et al. 178/19.01
D443,303 S * 6/2001 Ashe D19/48
6,257,789 B1 * 7/2001 Podszuweit et al. 401/195
D457,186 S * 5/2002 Moon D19/43
D459,393 S * 6/2002 Verhaeghe D19/43
D465,806 S * 11/2002 Hu D19/36

* cited by examiner

Primary Examiner—Martie K. Holtje

(74) *Attorney, Agent, or Firm*—Adams & Wilks

(57) **CLAIM**

The ornamental design for an electronic pen, as shown and described.

DESCRIPTION

FIG. 1 is a perspective view of an electronic pen showing my new design;
FIG. 2 is a front elevational view thereof;
FIG. 3 is a side elevational view thereof, the opposite side being a mirror image thereof;
FIG. 4 is a rear elevational view thereof;
FIG. 5 is bottom plan view thereof; and,
FIG. 6 is a top plan view thereof.

1 Claim, 1 Drawing Sheet

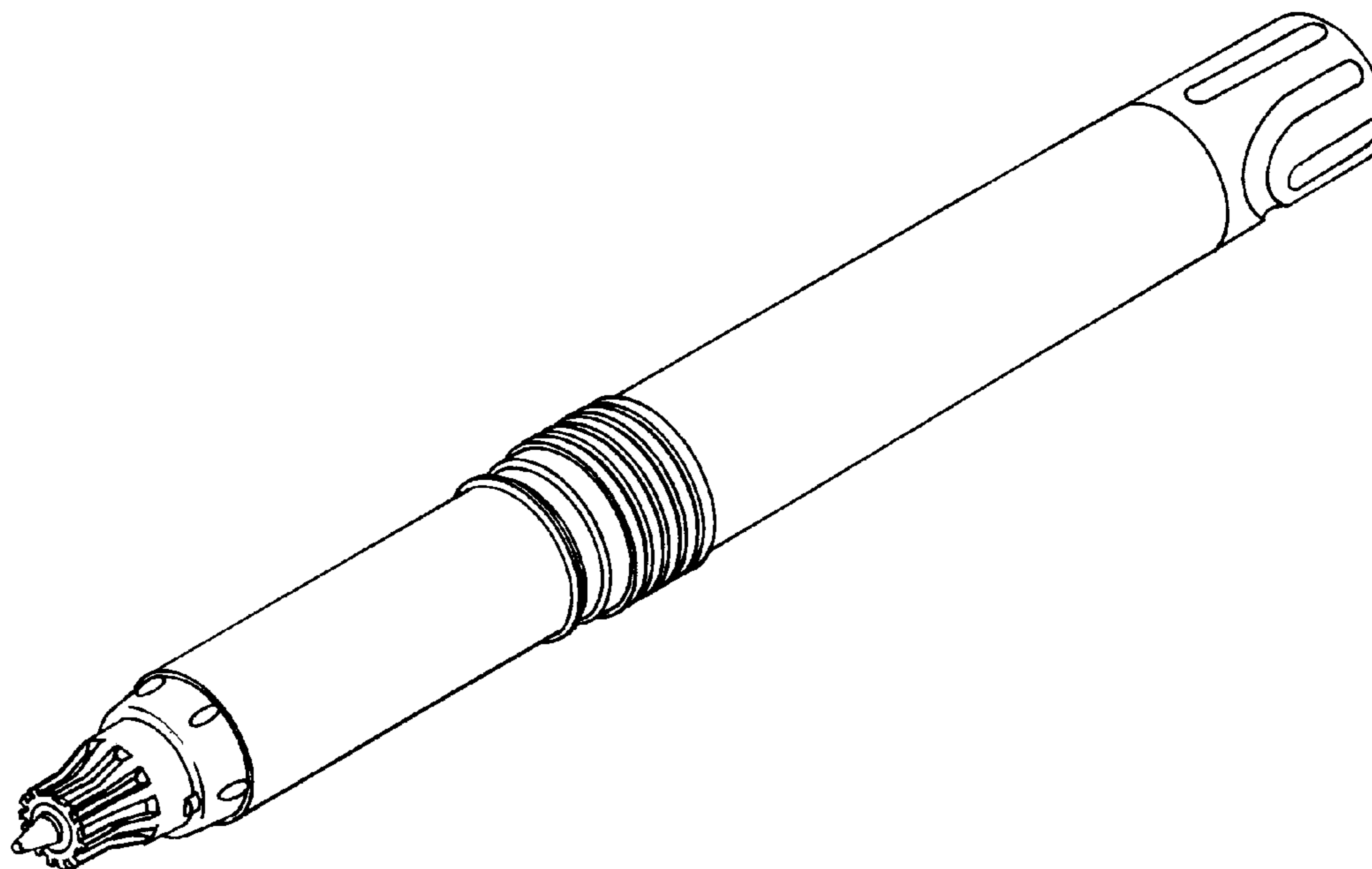


FIG. 1

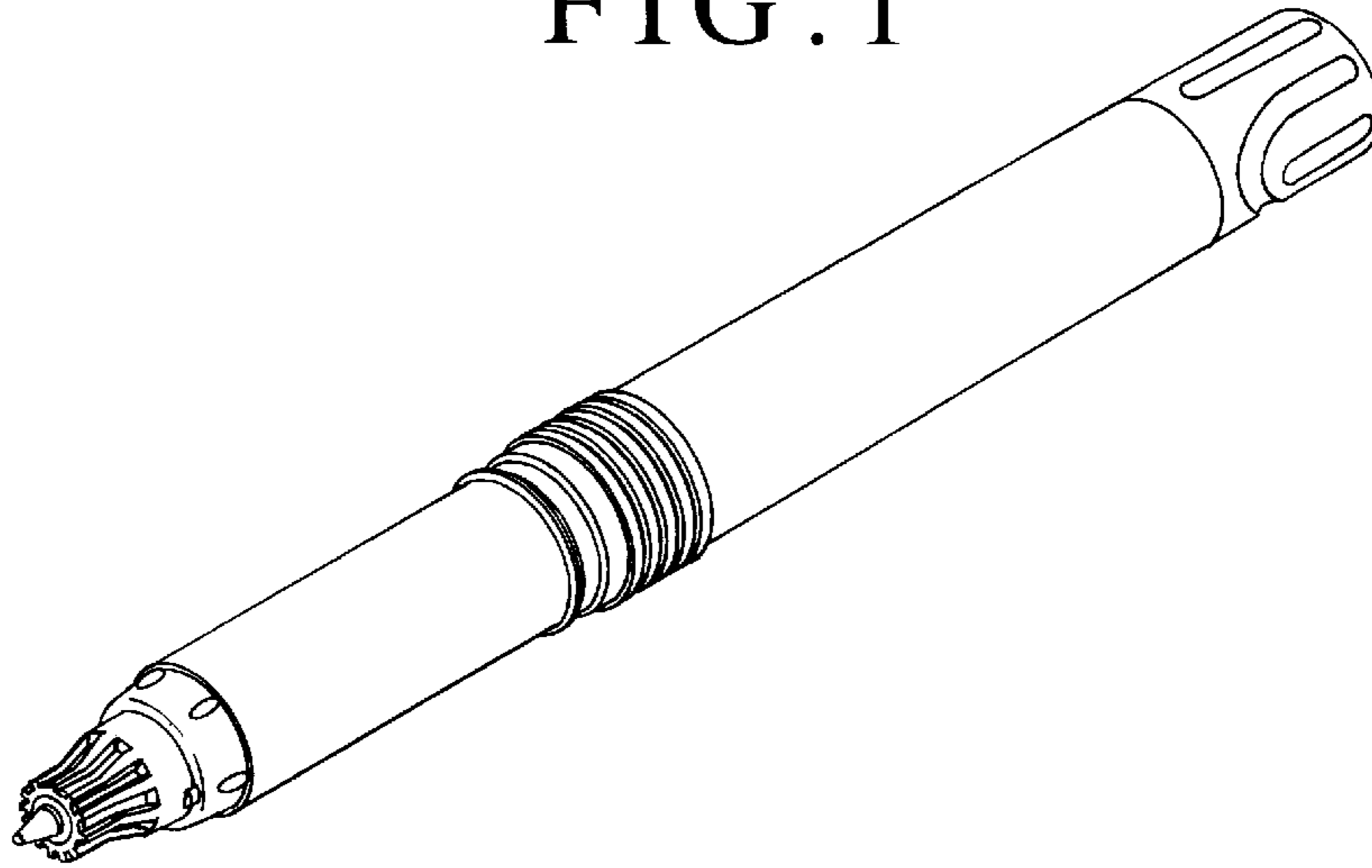


FIG. 2

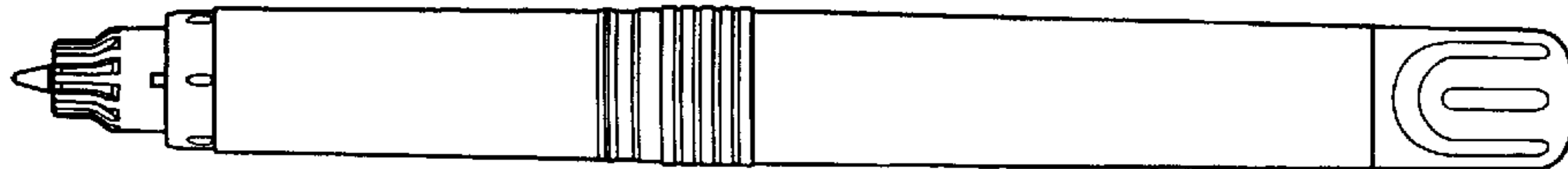


FIG. 3



FIG. 4

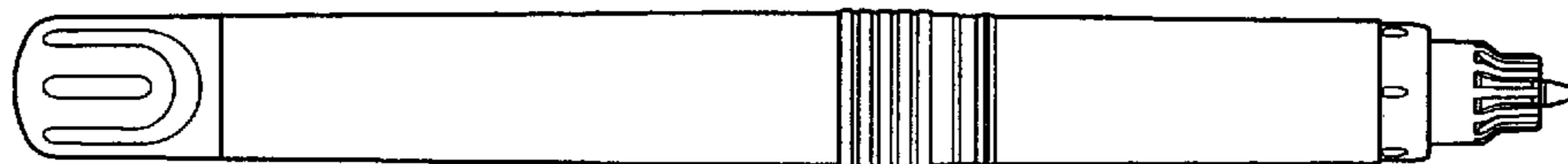


FIG. 5



FIG. 6

