

US00D508523S

(12) **United States Design Patent**  
**Goldberg**

(10) **Patent No.:** **US D508,523 S**

(45) **Date of Patent:** **\*\* Aug. 16, 2005**

(54) **TUBULAR DEVICE WITH CARABINER THEREON**

(75) **Inventor:** **Edward Goldberg**, Teaneck, NJ (US)

(73) **Assignee:** **Forever Green Holdings LLC**, Woodbridge, NJ (US)

(\*\*) **Term:** **14 Years**

(21) **Appl. No.:** **29/215,126**

(22) **Filed:** **Oct. 14, 2004**

**Related U.S. Application Data**

(62) Division of application No. 29/179,839, filed on Apr. 15, 2003, now Pat. No. Des. 502,505.

(51) **LOC (8) Cl.** ..... **19-06**

(52) **U.S. Cl.** ..... **D19/36; D19/46; D19/54; D8/356**

(58) **Field of Search** ..... D19/35, 36, 41-51, D19/53-58, 81-85; 401/6, 7, 88, 99-117, 52, 195; D8/356, 367, 370, 383; 24/573.5, 583.1, 598.1, 599.5, 11 M, 600.1; 70/456 R, 459; D3/208-211; 224/255

(56) **References Cited**

**U.S. PATENT DOCUMENTS**

1,187,289 A \* 6/1916 Ebersole ..... 59/89

RE32,656 E	*	4/1988	Bellavance	.....	401/104
D300,087 S	*	3/1989	Henderson	.....	D3/209
4,833,902 A	*	5/1989	Mori	.....	70/456 R
D332,625 S	*	1/1993	LaPerche	.....	D19/44
D407,212 S	*	3/1999	Molaro	.....	D3/211
D449,857 S	*	10/2001	Rosenbaum	.....	D19/44
D454,054 S	*	3/2002	Kelleghan	.....	D8/356
D468,770 S	*	1/2003	Rosenbaum	.....	D19/44
D474,239 S	*	5/2003	Rosenbaum	.....	D19/44
D490,296 S	*	5/2004	Shaljian	.....	D8/356
D502,505 S	*	3/2005	Goldberg	.....	D19/36

\* cited by examiner

*Primary Examiner*—Martie K. Holtje  
(74) *Attorney, Agent, or Firm*—Kaplan & Gilman, LLP; Michael R. Gilman

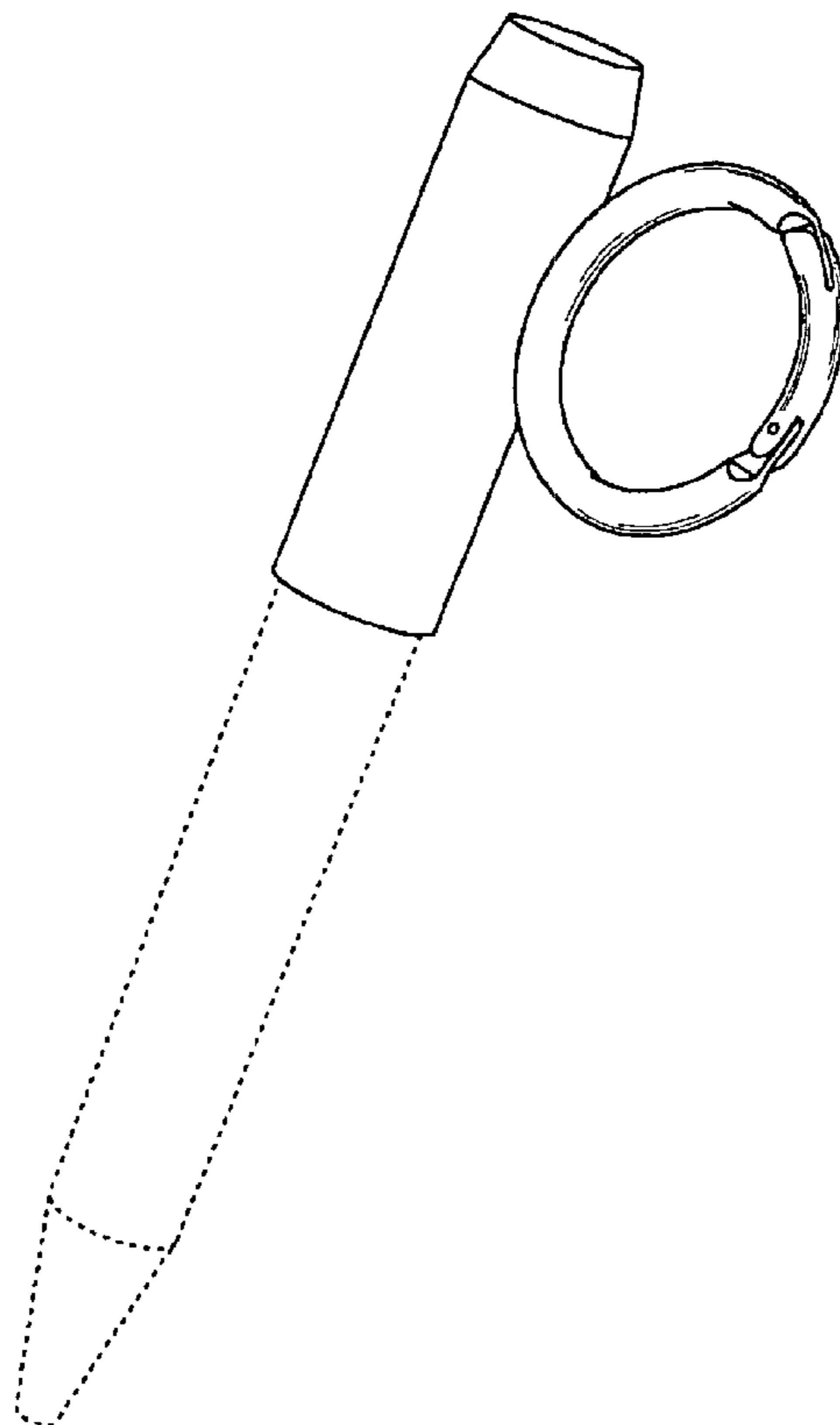
(57) **CLAIM**

The ornamental design for a tubular device with carabiner thereon, as shown and described.

**DESCRIPTION**

FIG. 1 is a perspective view of a tubular device with carabiner thereon according to my design, the structure depicted by means of broken lines being shown for illustrative purposes only and forming no part of the claimed design.

**1 Claim, 1 Drawing Sheet**



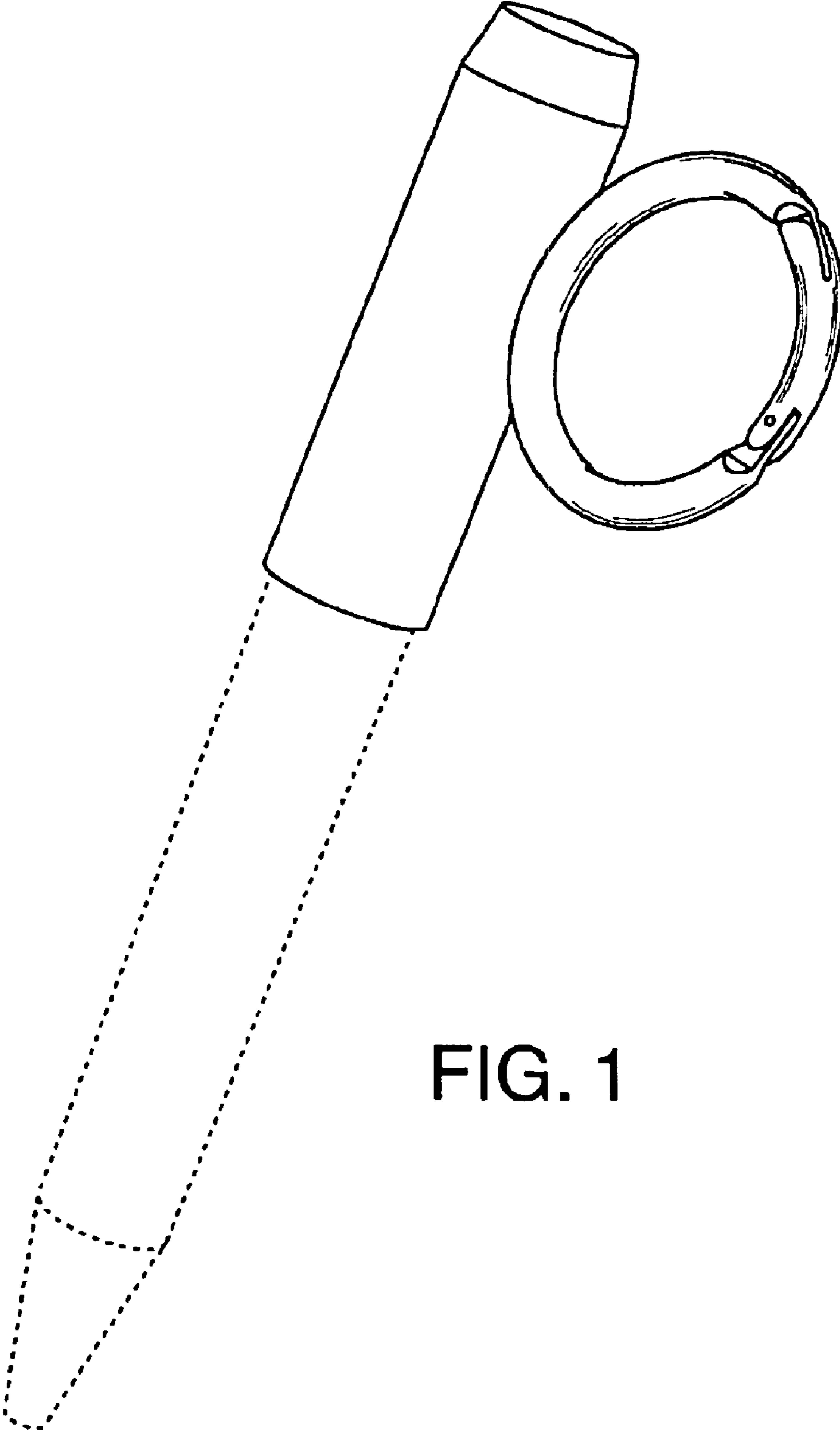


FIG. 1