

US00D508519S

(12) **United States Design Patent**
Kuramochi et al.

(10) **Patent No.:** **US D508,519 S**
(45) **Date of Patent:** **** Aug. 16, 2005**

(54) **MULTIFUNCTION CASH REGISTER INPUT AND DISPLAY UNIT**

D458,255 S * 6/2002 Hsu D14/373
D474,228 S * 5/2003 Katou et al. D18/4.3
D499,730 S * 12/2004 Yamashiro D14/375

(75) Inventors: **Naoki Kuramochi**, Fussa (JP); **Akihiro Miyahara**, Kunitachi (JP)

* cited by examiner

(73) Assignee: **Casio Computer Co., Ltd.**, Tokyo (JP)

Primary Examiner—Caron D. Veynar

(**) Term: **14 Years**

(74) *Attorney, Agent, or Firm*—Frishauf, Holtz, Goodman & Chick, P.C.

(21) Appl. No.: **29/201,546**

(57) **CLAIM**

(22) Filed: **Mar. 16, 2004**

The ornamental design for a multifunction cash register input and display unit, as shown and described.

(51) **LOC (8) Cl.** **18-01**

DESCRIPTION

(52) **U.S. Cl.** **D18/4.1; D18/4.4**

(58) **Field of Search** D18/4.1–4.6, 6;
D14/336, 338–341, 371, 373–375, 125–129,
240, 151; 235/7 R, 10, 11, 379, 380, 61 R;
248/917–924; 341/12; 348/180, 184, 325,
739; 349/1, 2, 11, 62; 705/15–17

FIG. 1 is a reduced scale front, right side, top perspective view of a multifunction cash register input and display unit showing our new design;

FIG. 2 is a front elevational view thereof;

FIG. 3 is a rear elevational view thereof;

FIG. 4 is a left side view thereof;

FIG. 5 is a right side view thereof;

FIG. 6 is a top plan view thereof;

FIG. 7 is a bottom plan view thereof; and,

FIG. 8 is a reference perspective view thereof with another display attached.

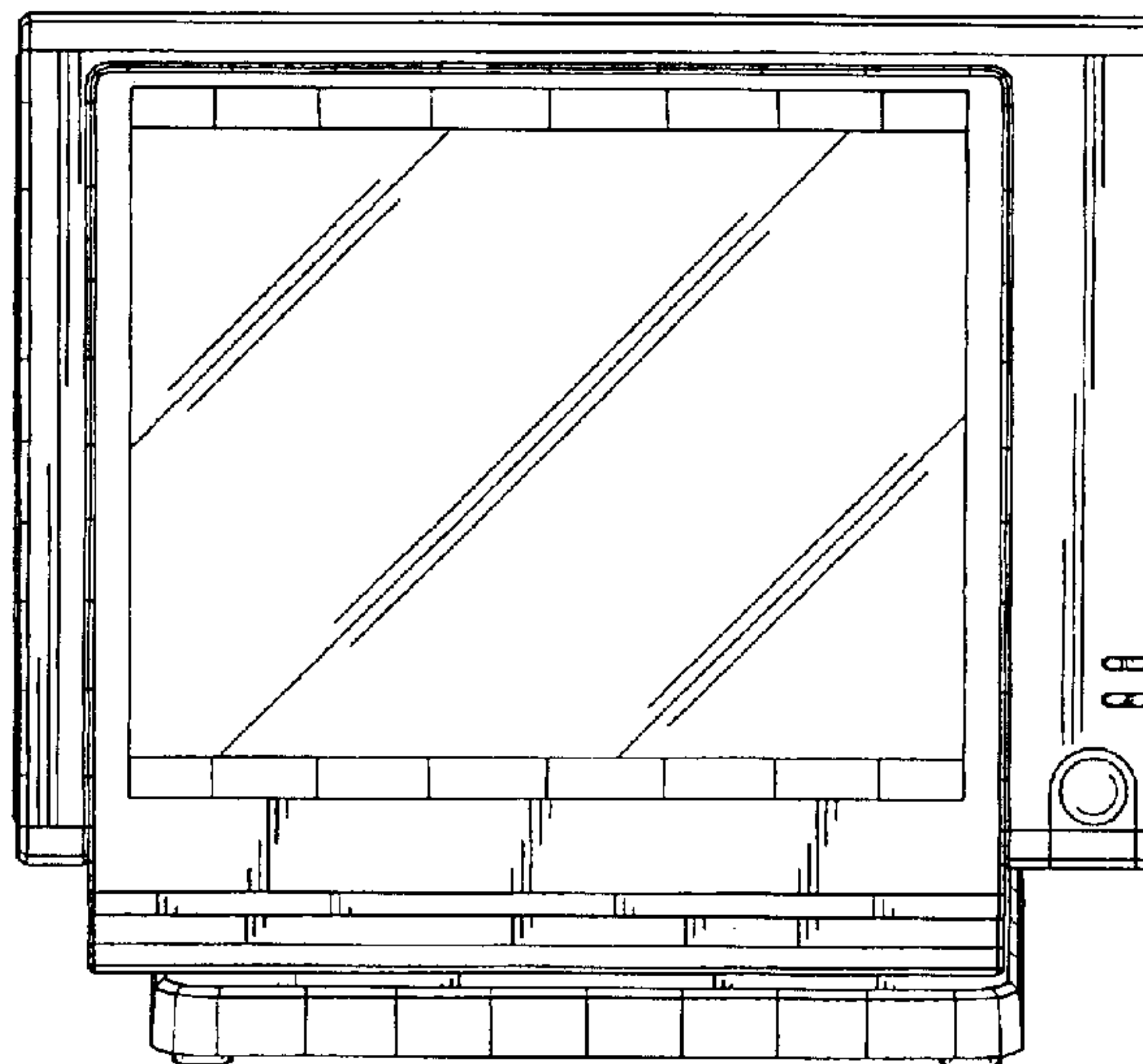
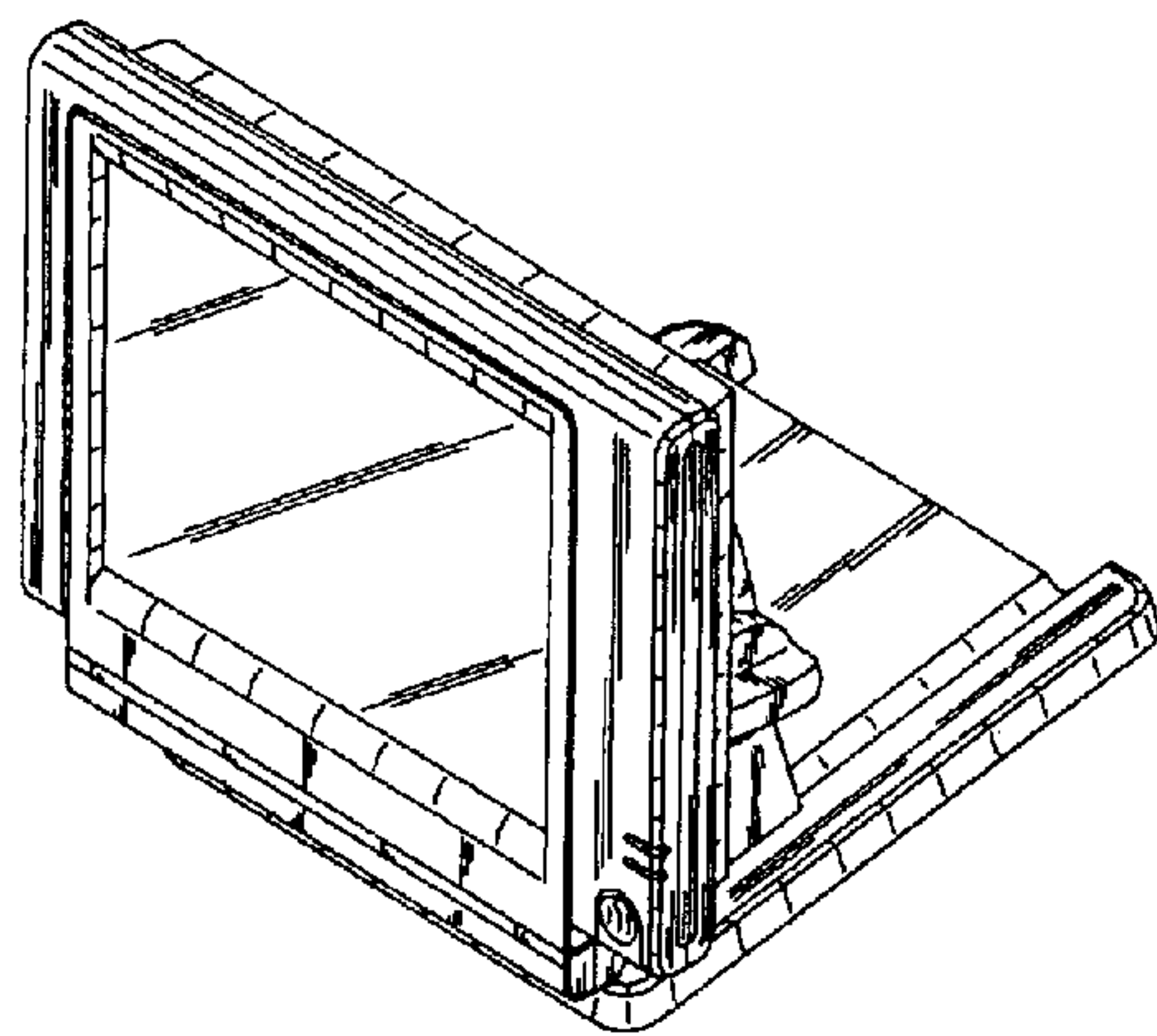
The broken line showing is for illustrative purposes only and forms no part of the claimed design.

(56) **References Cited**

U.S. PATENT DOCUMENTS

D359,952 S * 7/1995 Cox et al. D18/4.5
D360,196 S * 7/1995 Cox et al. D18/4.5
D389,813 S * 1/1998 Itoh D18/4.5
D423,477 S * 4/2000 Usui D14/375
D424,098 S * 5/2000 Kim D18/4.5
D427,231 S * 6/2000 Ono D18/4.6

1 Claim, 8 Drawing Sheets



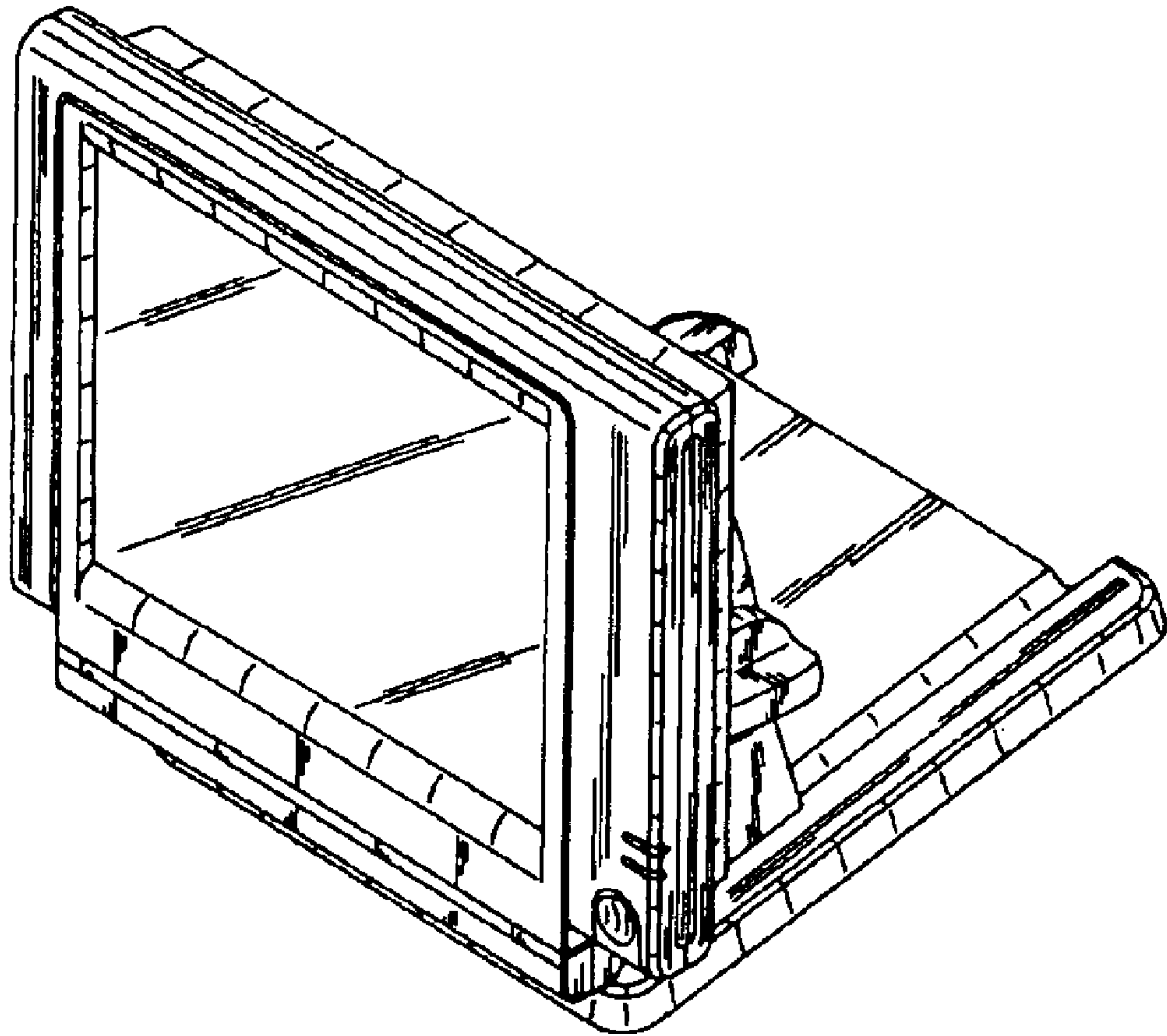


FIG. 1

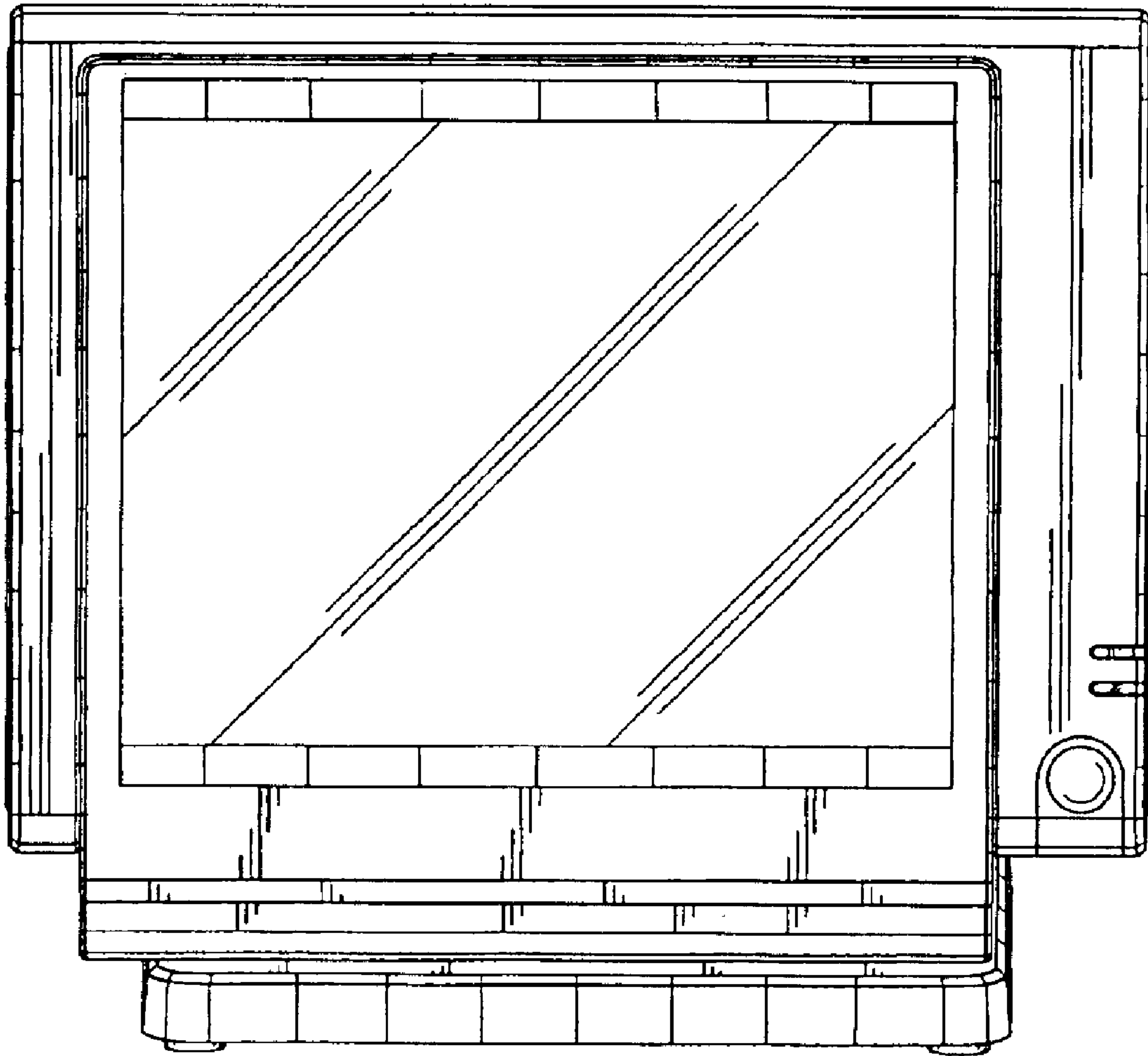


FIG. 2

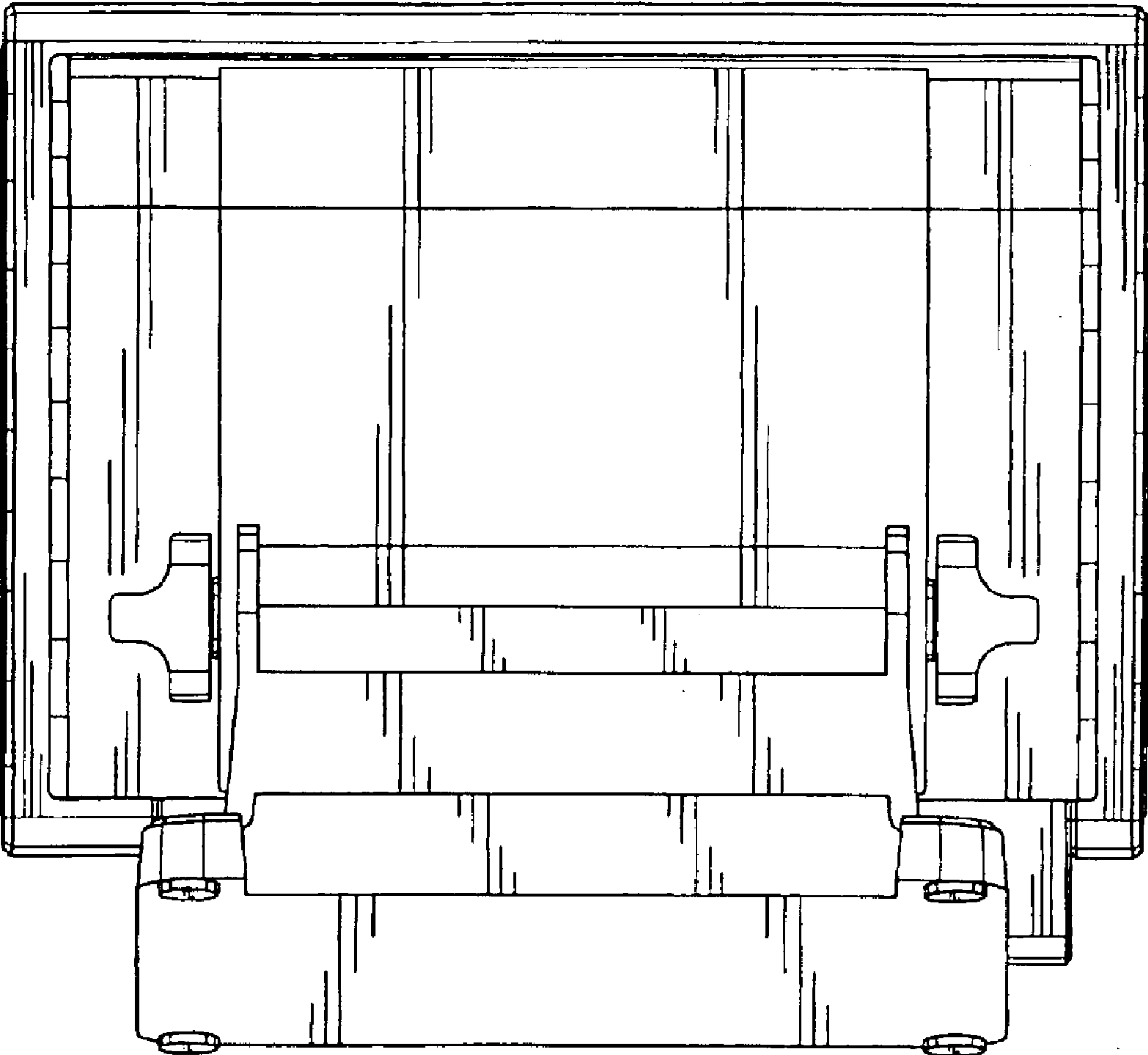


FIG. 3

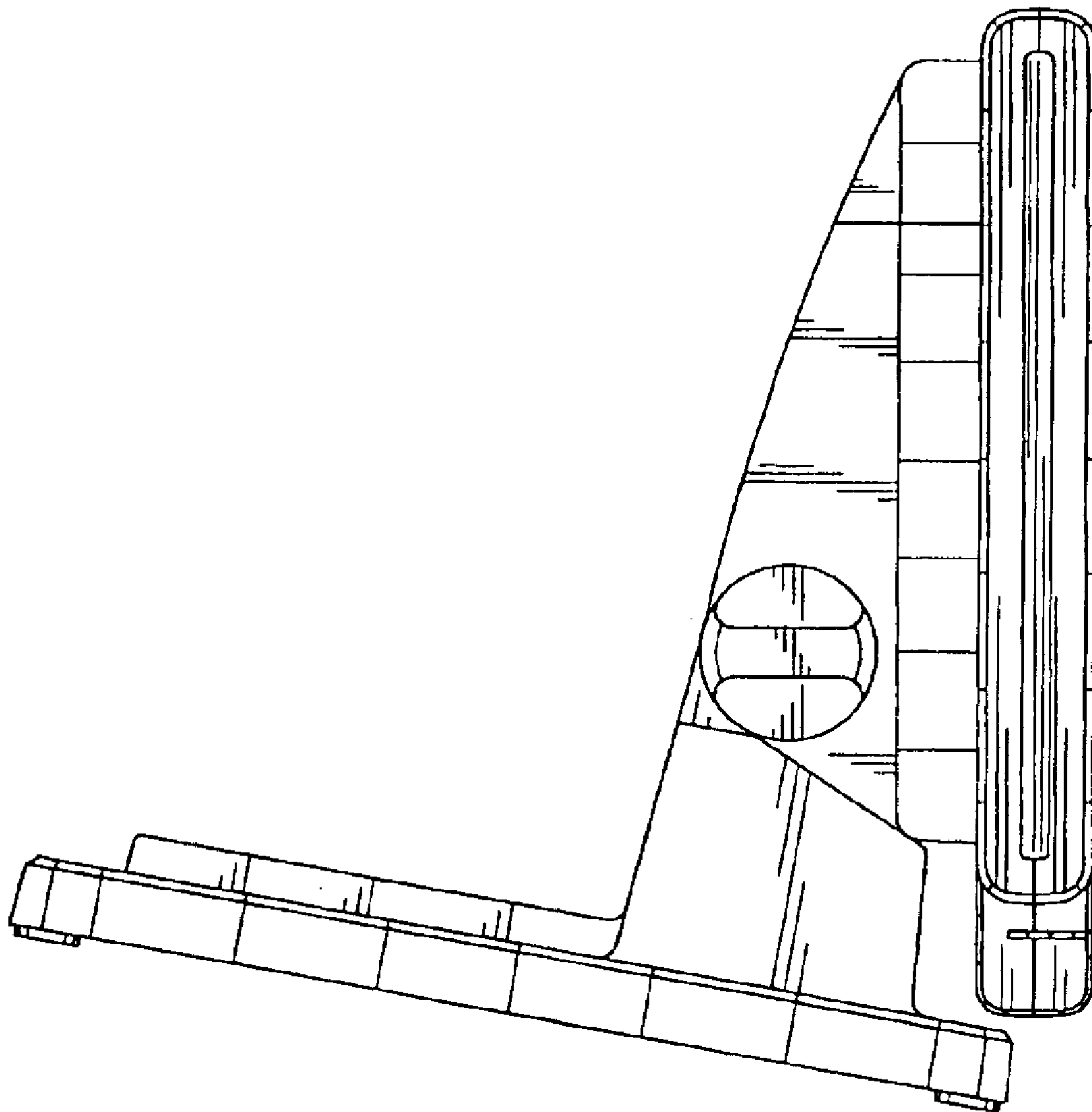


FIG. 4

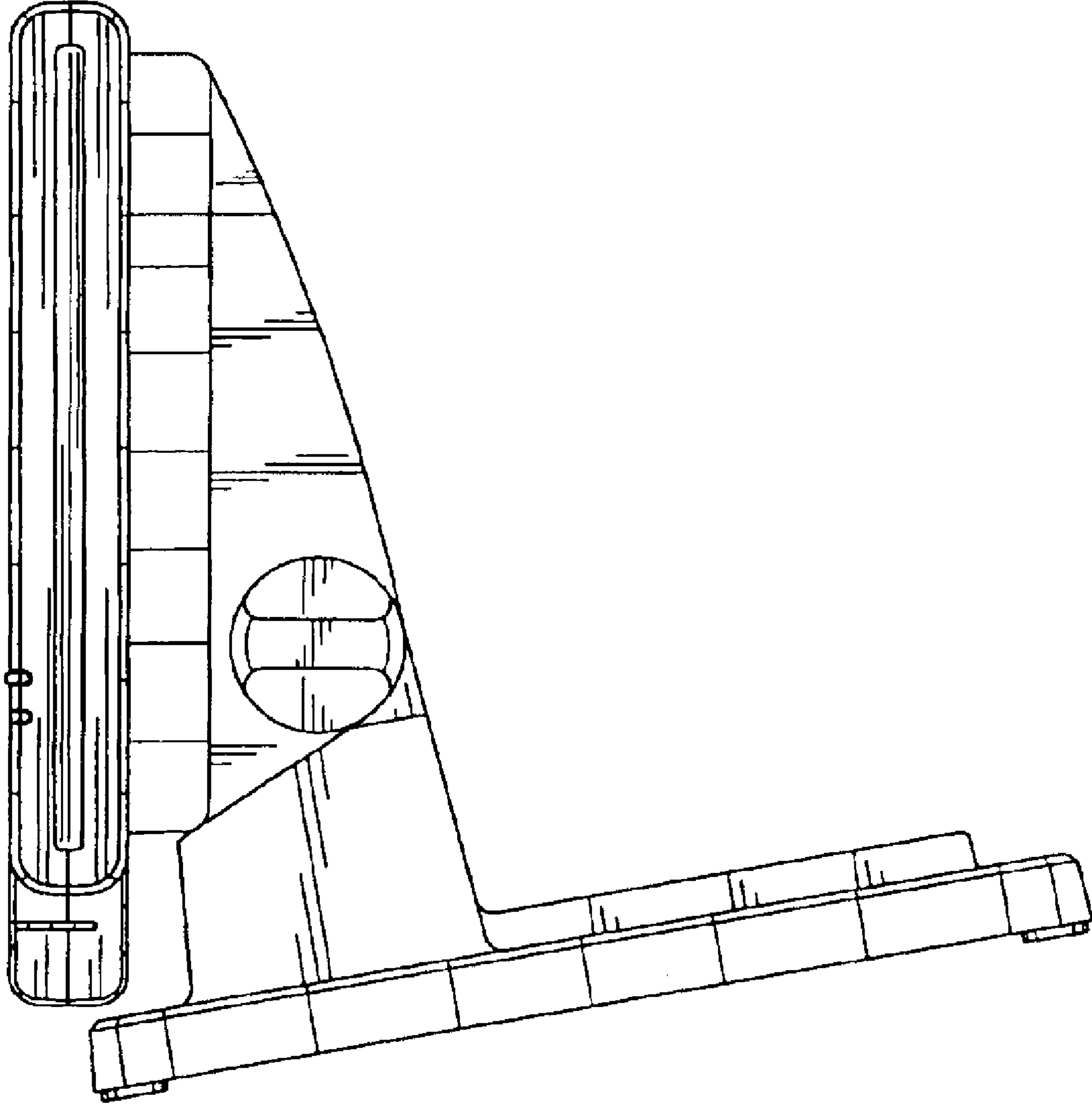


FIG. 5

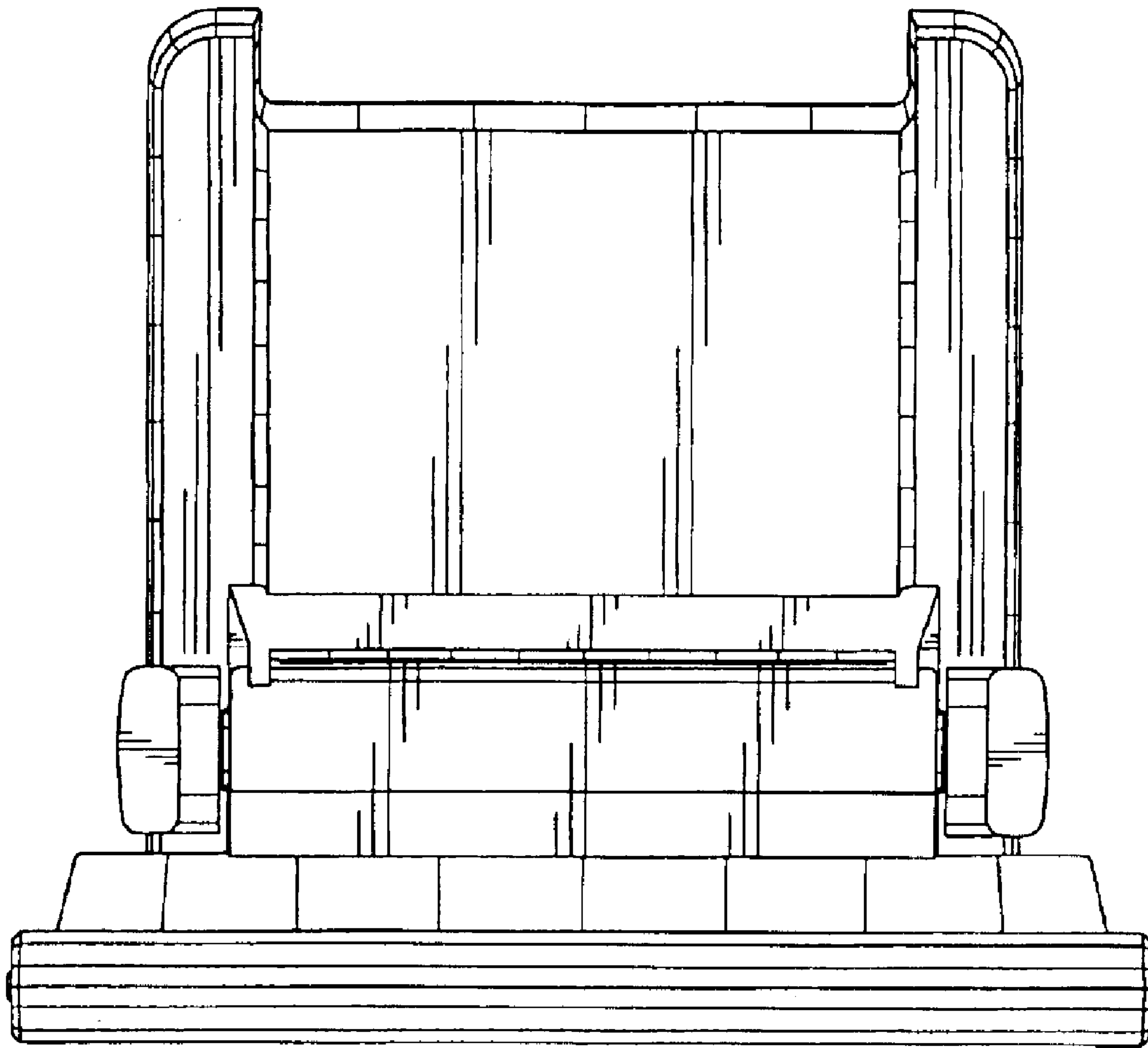


FIG. 6

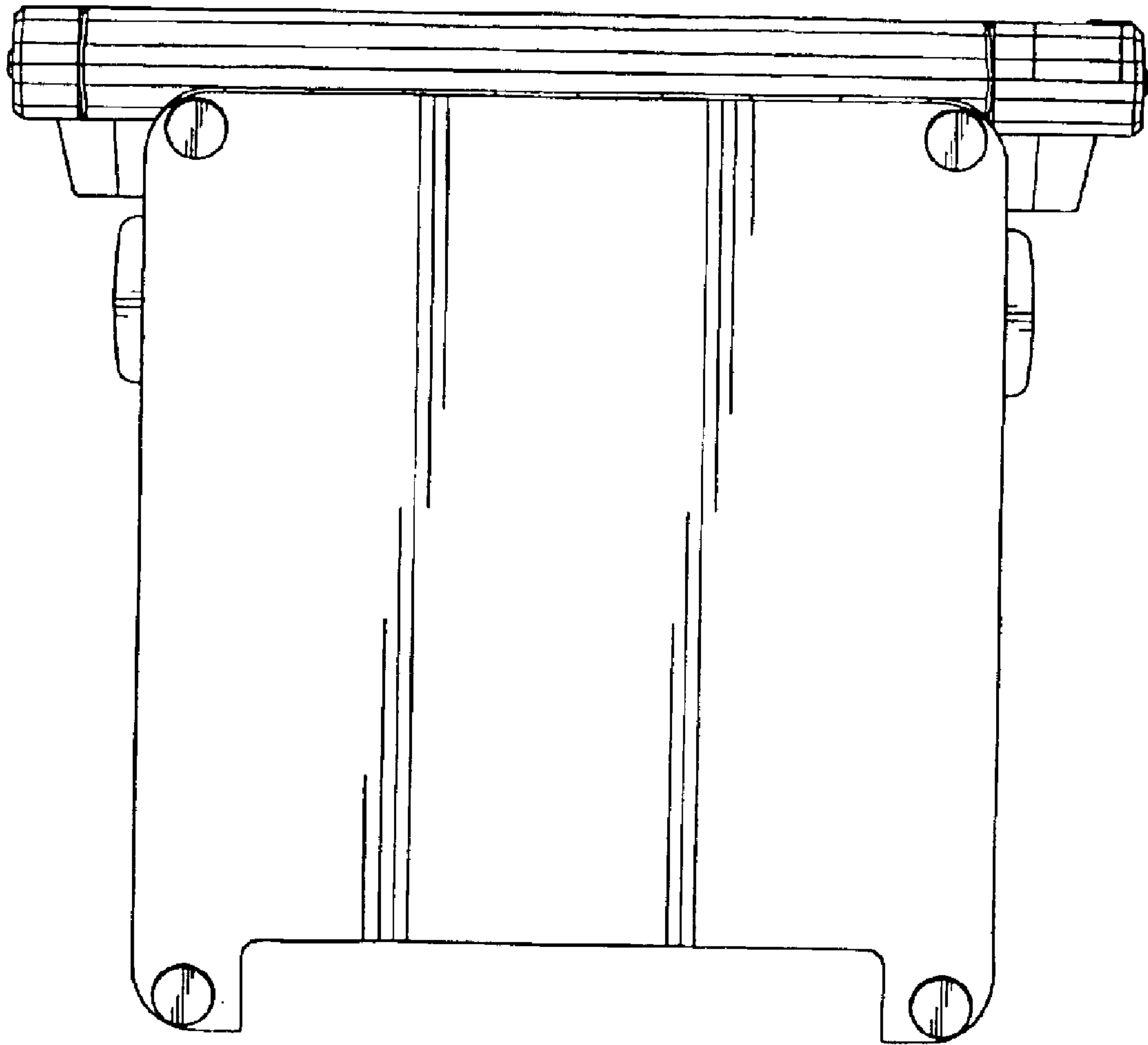


FIG. 7

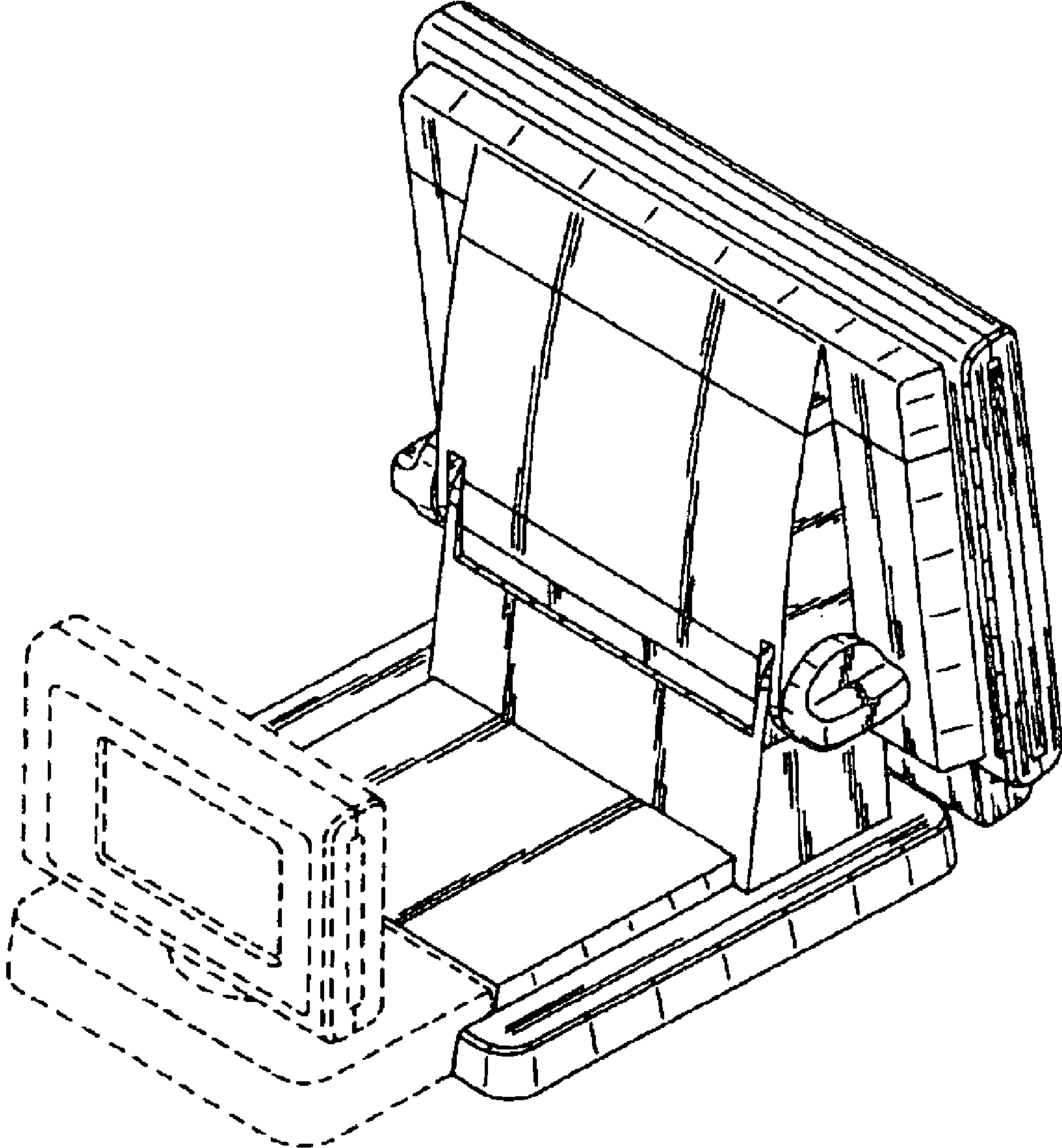


FIG. 8