

US00D508518S

(12) **United States Design Patent** (10) **Patent No.:** **US D508,518 S**  
**Chang** (45) **Date of Patent:** **\*\* Aug. 16, 2005**

(54) **MUSICAL INSTRUMENT STAND**

(76) Inventor: **Jung-Pin Chang**, 58, Ma Yuan West St., Taichung (TW)

(\*\*) Term: **14 Years**

(21) Appl. No.: **29/194,717**

(22) Filed: **Nov. 25, 2003**

(51) **LOC (8) Cl.** ..... **17-04**

(52) **U.S. Cl.** ..... **D17/22**

(58) **Field of Search** ..... D17/22, 99; 84/421, 84/422.1, 422.2, 422.3; 224/910; 248/170

(56) **References Cited**

**U.S. PATENT DOCUMENTS**

3,118,339	A	*	1/1964	Hoellerich	.....	84/421
3,464,305	A	*	9/1969	Meazzi et al.	.....	84/422.3
D218,259	S	*	8/1970	Thompson	.....	D17/22
4,846,040	A	*	7/1989	Hoshino	.....	84/422.1
5,018,426	A	*	5/1991	Suzuki	.....	84/422.3

\* cited by examiner

*Primary Examiner*—Adir Aronovich  
(74) *Attorney, Agent, or Firm*—Alan D. Kamrath; Nikolai & Mersereau, P.A.

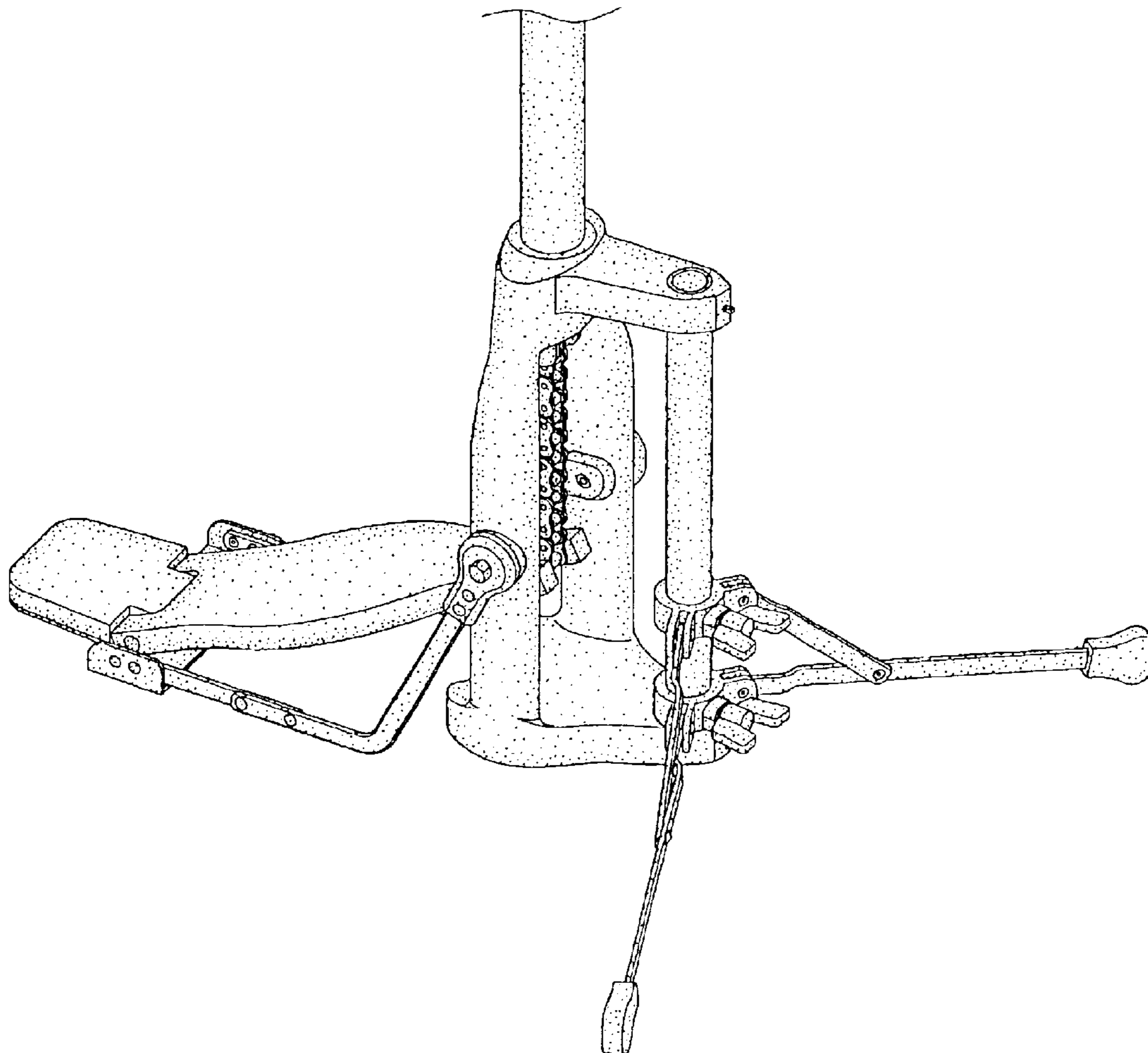
(57) **CLAIM**

The ornamental design for a musical instrument stand, as shown and described.

**DESCRIPTION**

FIG. 1 is a perspective view of a musical instrument stand showing my design;  
FIG. 2 is a front elevational view thereof;  
FIG. 3 is a rear elevational view thereof;  
FIG. 4 is a left side elevational view thereof;  
FIG. 5 is a right side elevational view thereof;  
FIG. 6 is a top plan view thereof; and,  
FIG. 7 is a bottom plan view thereof.

**1 Claim, 7 Drawing Sheets**



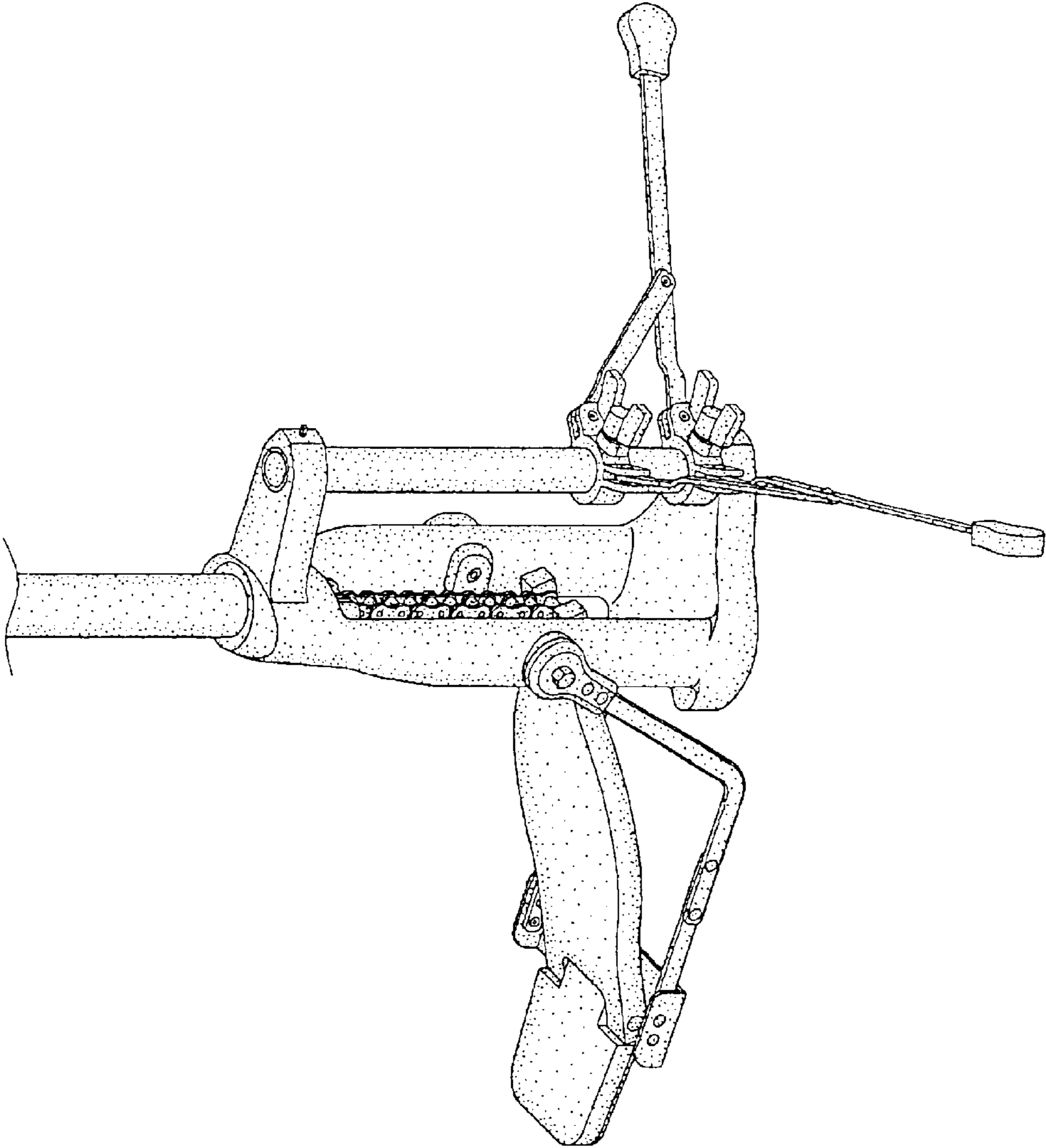


FIG. 1

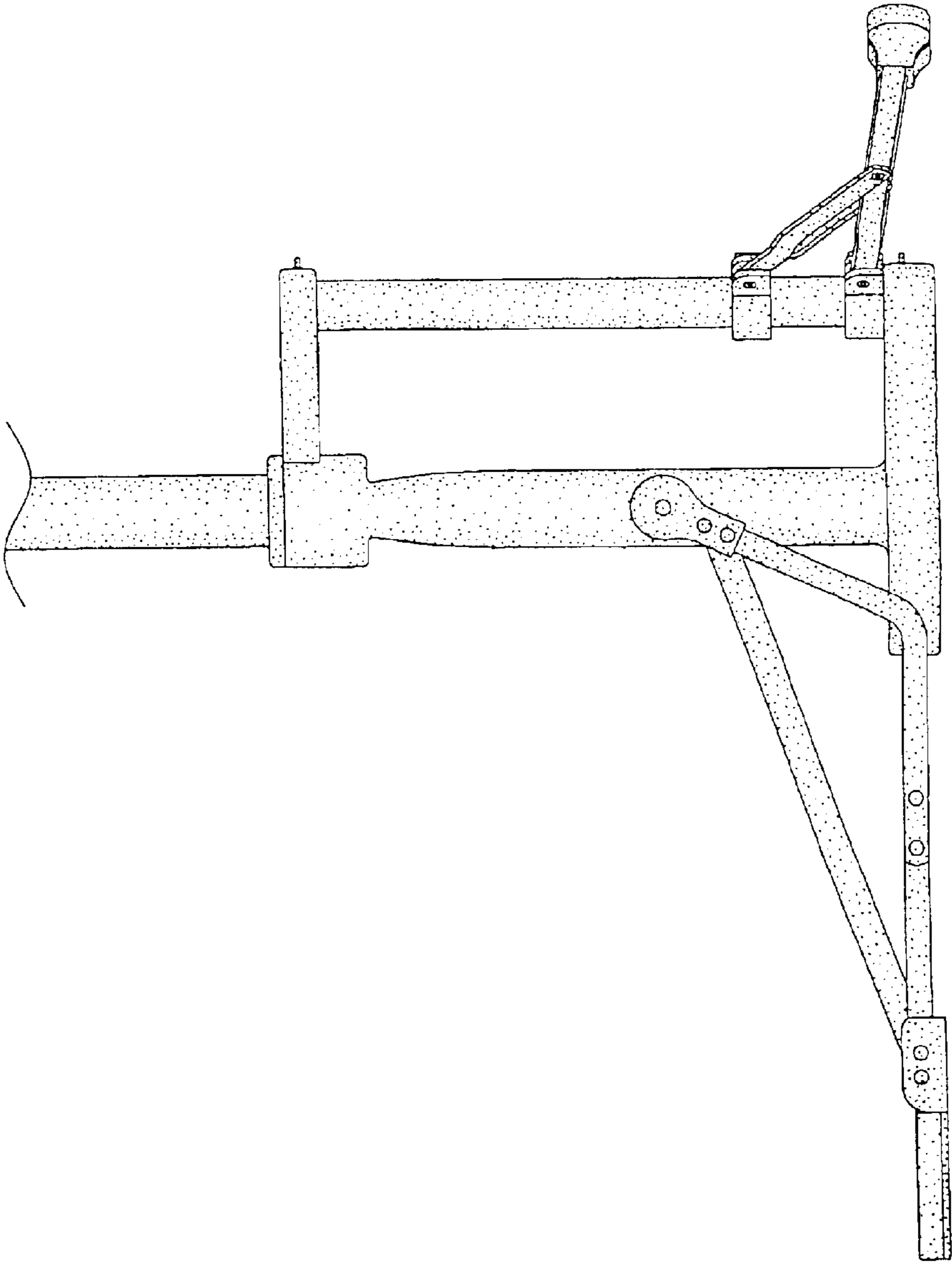


FIG. 2

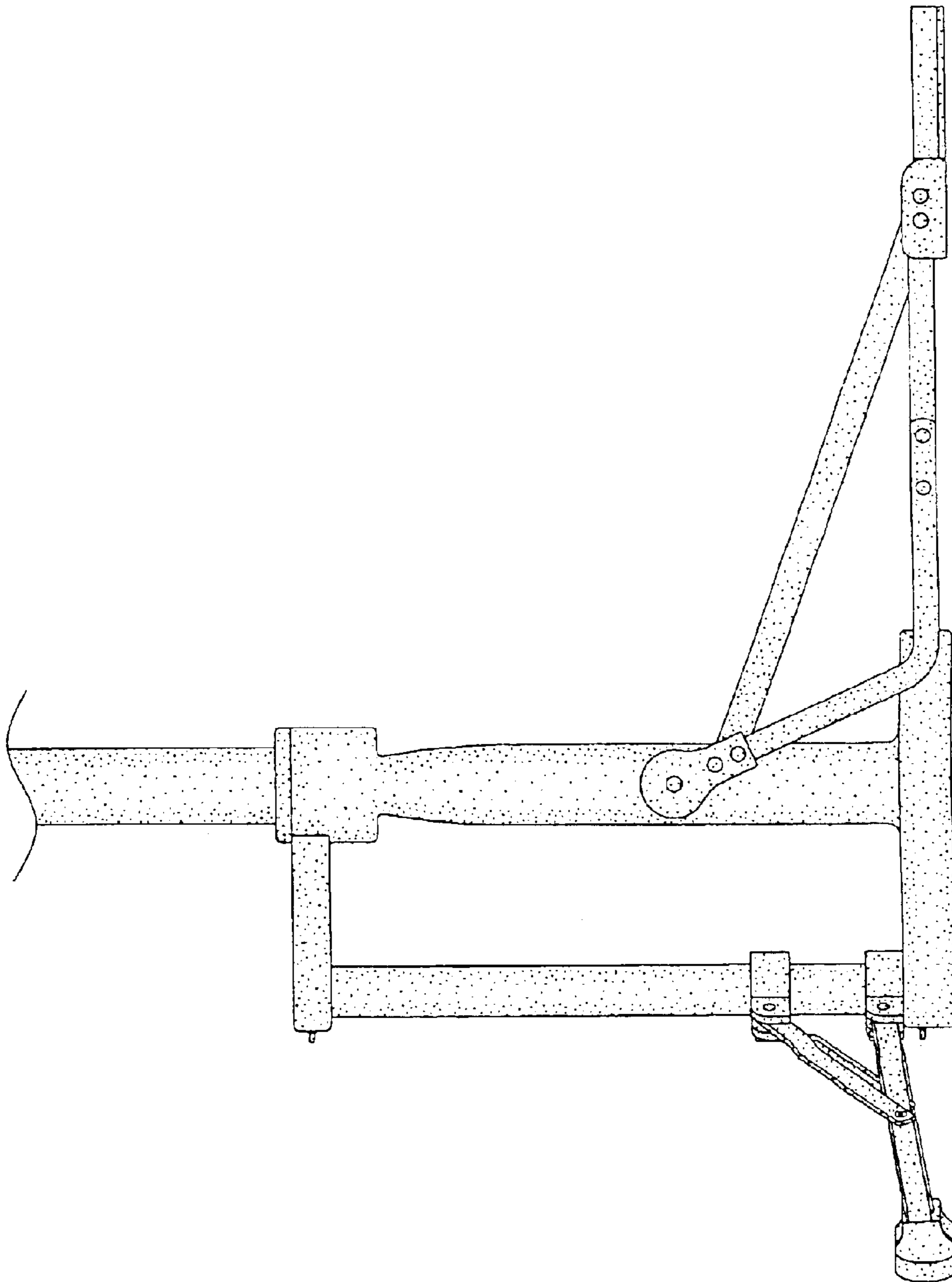


FIG. 3

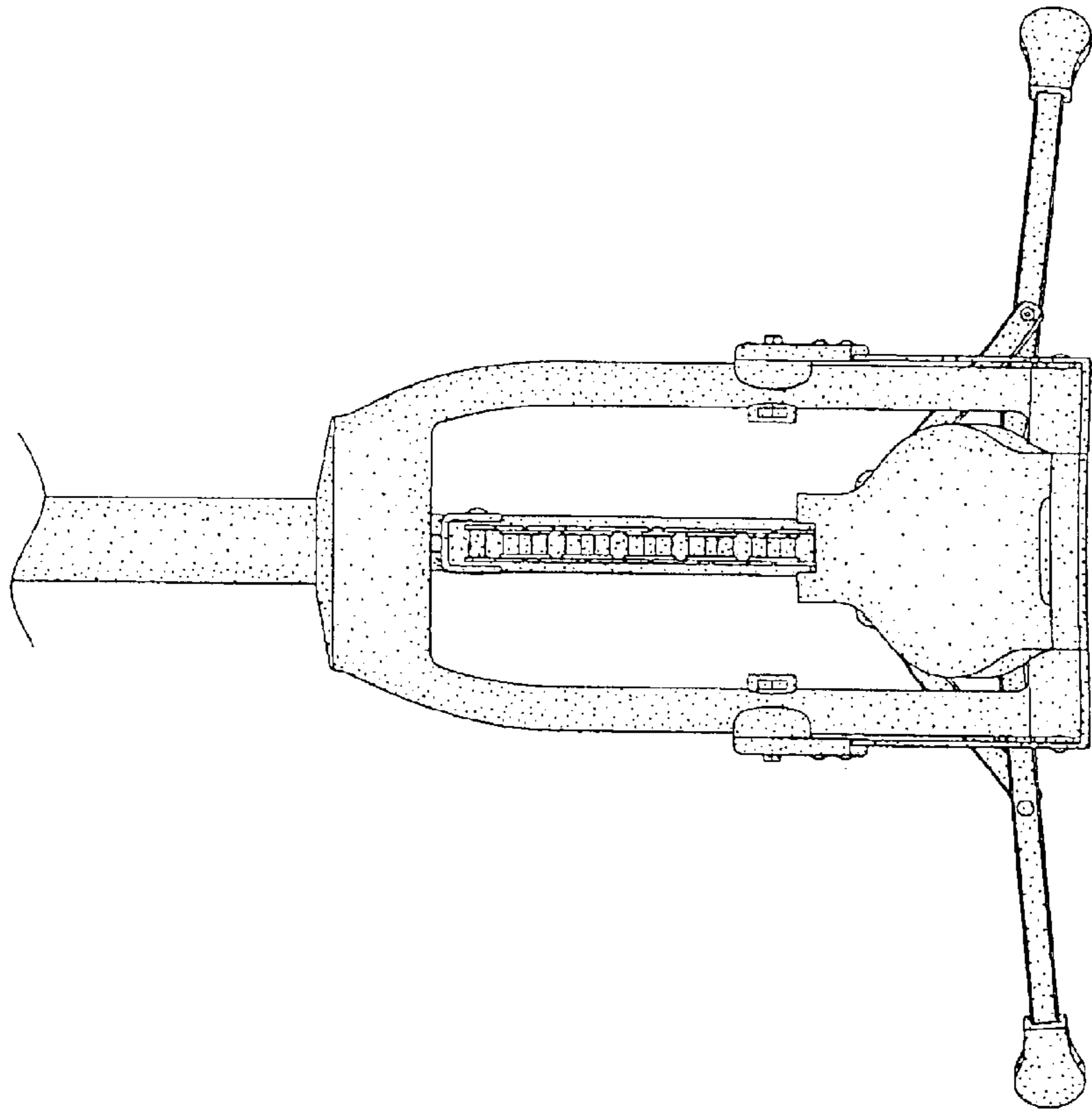


FIG. 4

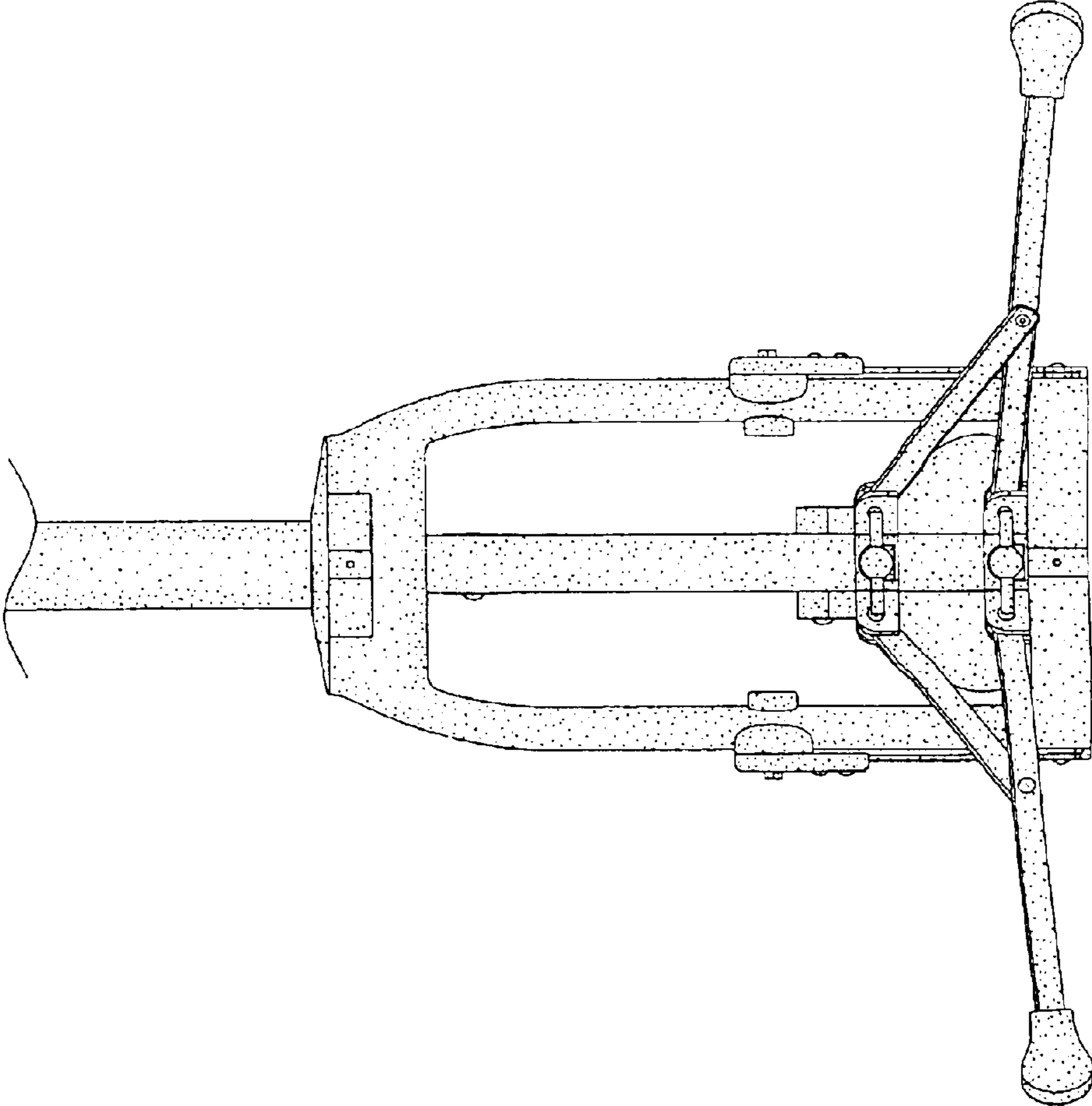


FIG. 5

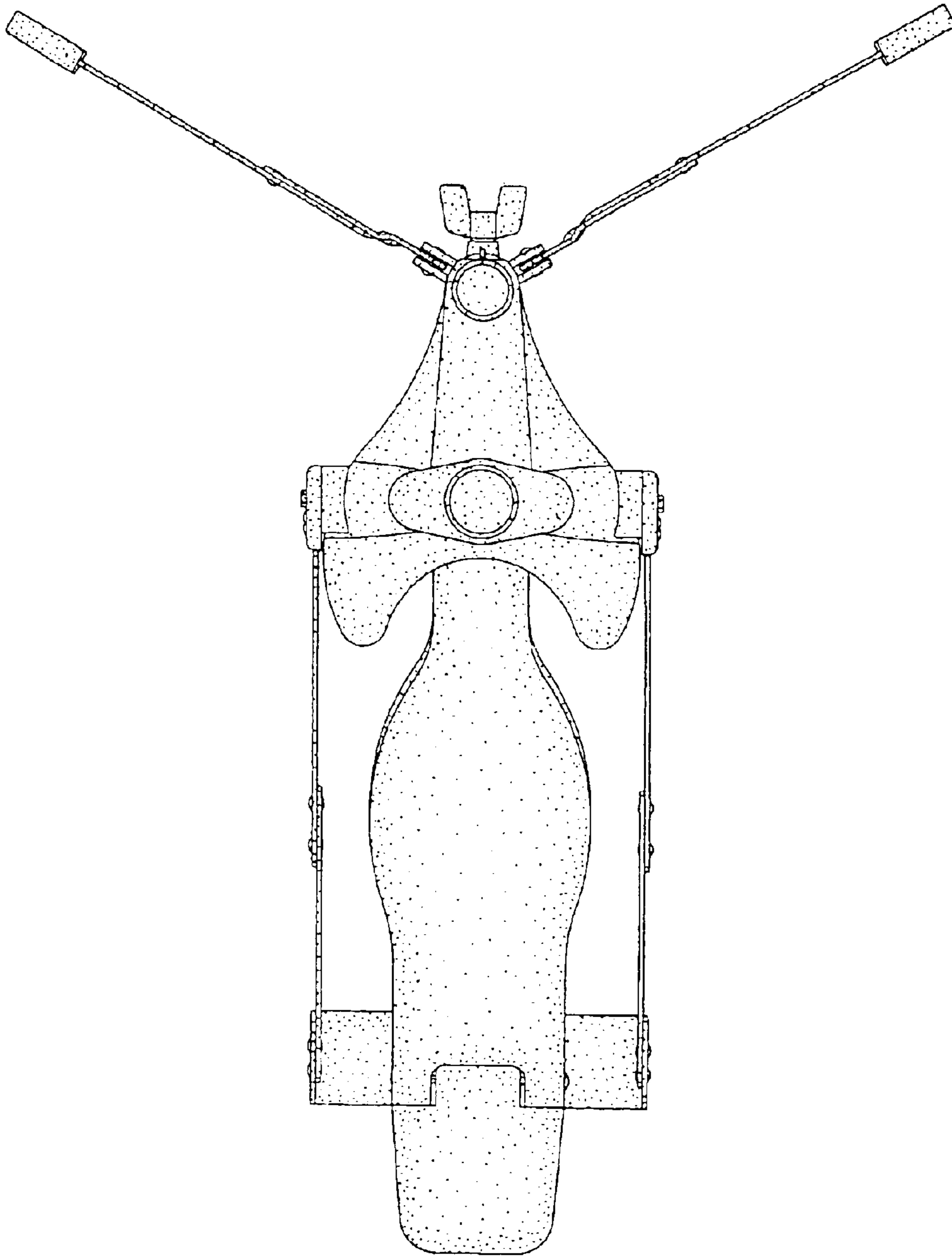


FIG. 6



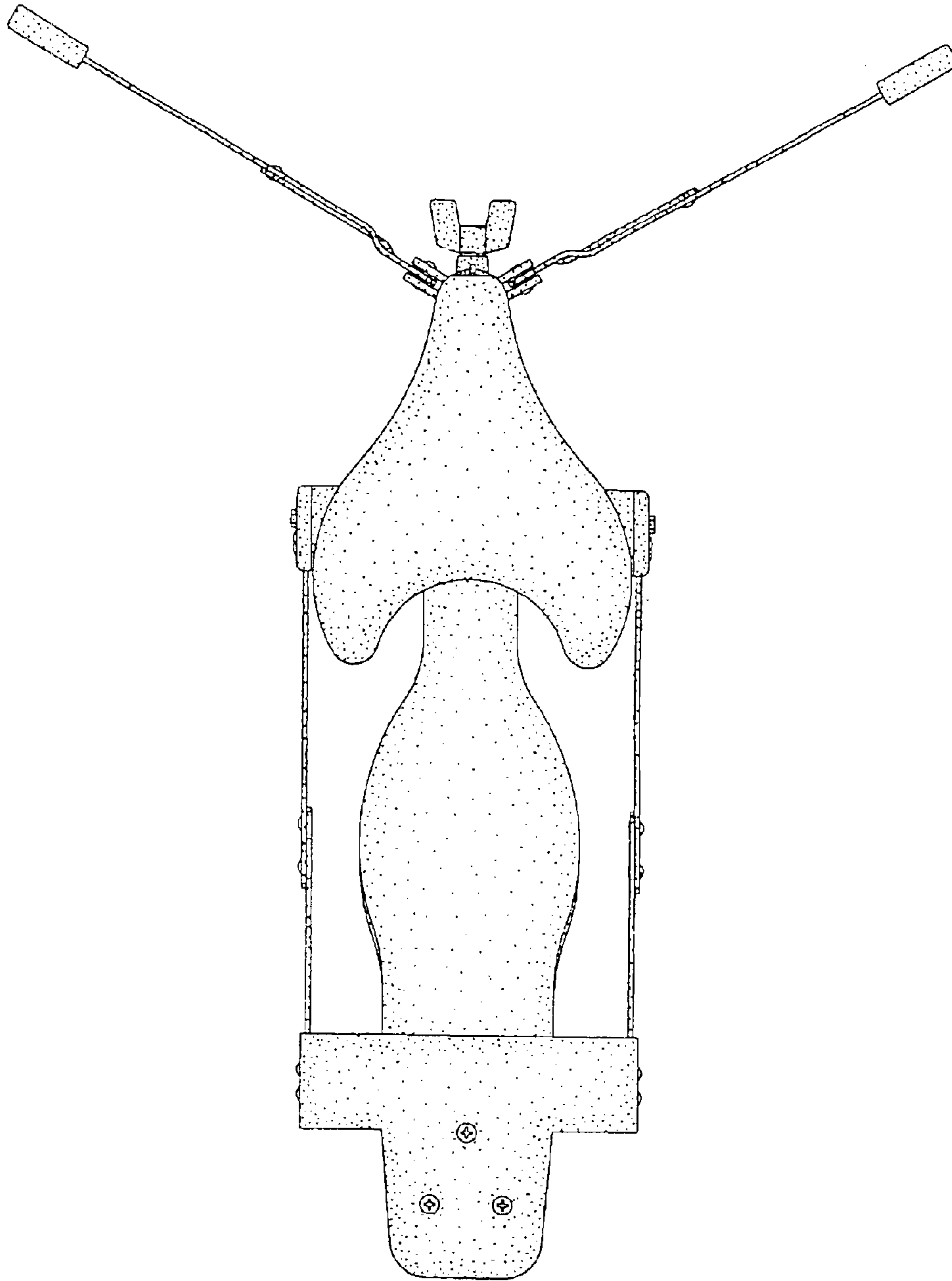


FIG. 7