



US00D508510S

(12) **United States Design Patent**
Galli

(10) **Patent No.:** **US D508,510 S**
(45) **Date of Patent:** **** Aug. 16, 2005**

(54) **OPTICAL LENS**

(76) **Inventor:** **Robert D. Galli**, 135 Circuit Dr., North Kingston, RI (US) 02852

(**) **Term:** **14 Years**

(21) **Appl. No.:** **29/209,385**

(22) **Filed:** **Jul. 15, 2004**

Related U.S. Application Data

(62) Division of application No. 10/658,613, filed on Sep. 8, 2003, now Pat. No. 6,819,505.

(51) **LOC (8) Cl.** **16-06**

(52) **U.S. Cl.** **D16/134; D16/130**

(58) **Field of Search** D16/130, 134;
D14/420, 421, 426, 428, 432; 359/708,
718, 726; 362/327, 329, 308, 157, 294,
560, 800, 363; 313/512; 340/815.76; D10/114;
D26/93, 104, 37

(56) **References Cited**

U.S. PATENT DOCUMENTS

- 1,299,538 A * 4/1919 Avery 362/363
- 1,977,689 A * 10/1934 Muller 340/815.76
- 2,908,197 A * 10/1959 Wells et al. 340/815.76
- D254,155 S * 2/1980 Allen D26/104
- D298,573 S * 11/1988 Komamura D26/93
- D322,489 S * 12/1991 Parker D26/104

- D384,589 S * 10/1997 Loach D10/114
- 5,757,557 A * 5/1998 Medvedev et al. 359/708
- 6,786,619 B2 * 9/2004 Subisak et al. 362/308
- 6,794,817 B2 * 9/2004 Ueda 313/512
- 6,819,505 B1 * 11/2004 Cassarly et al. 359/726

* cited by examiner

Primary Examiner—Paula A. Greene

(74) *Attorney, Agent, or Firm*—Barlow, Josephs & Holmes, Ltd.

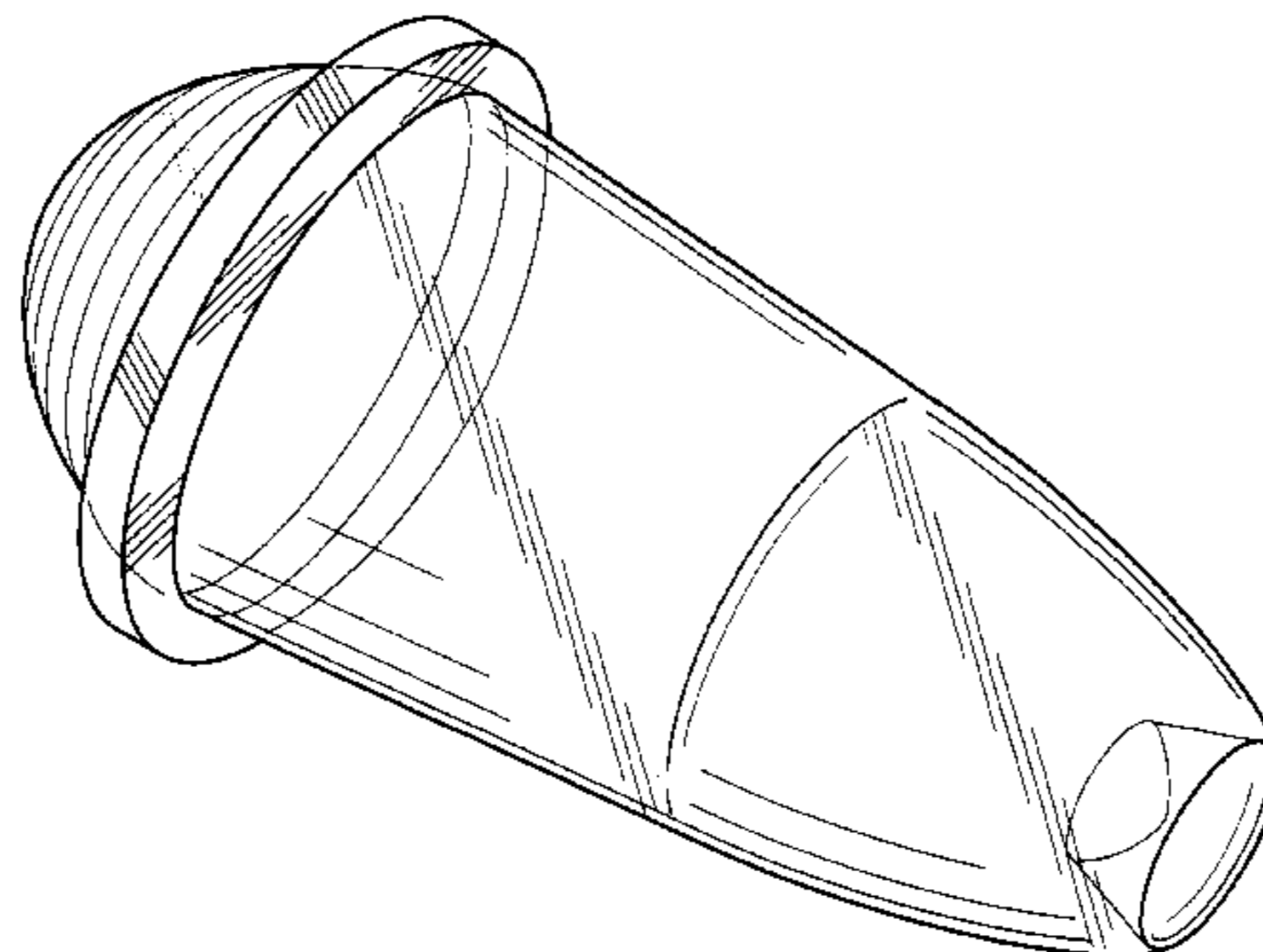
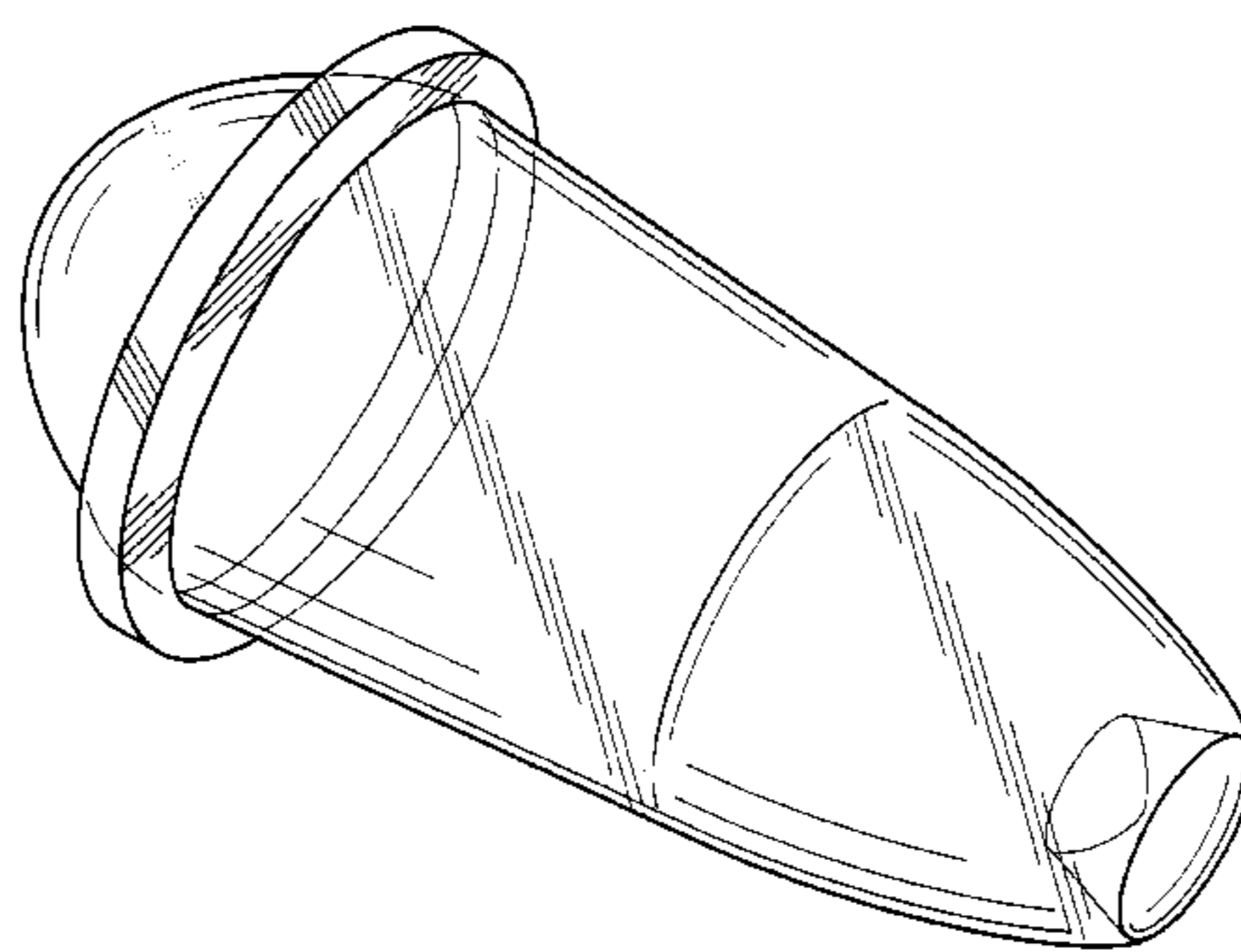
(57) **CLAIM**

The ornamental design for an optical lens, as shown and described.

DESCRIPTION

FIG. 1 is a perspective view of an optical lens, showing my new design;
 FIG. 2 is a side view thereof, all side being the same;
 FIG. 3 front end view thereof;
 FIG. 4 is back end view thereof;
 FIG. 5 is a perspective view of an optical lens, showing an alternate embodiment of my new design;
 FIG. 6 is a side view of the alternate embodiment of FIG. 5, all side being the same;
 FIG. 7 front end view of the alternate embodiment of FIG. 5; and,
 FIG. 8 is back end view of the alternate embodiment of FIG. 5.

1 Claim, 6 Drawing Sheets



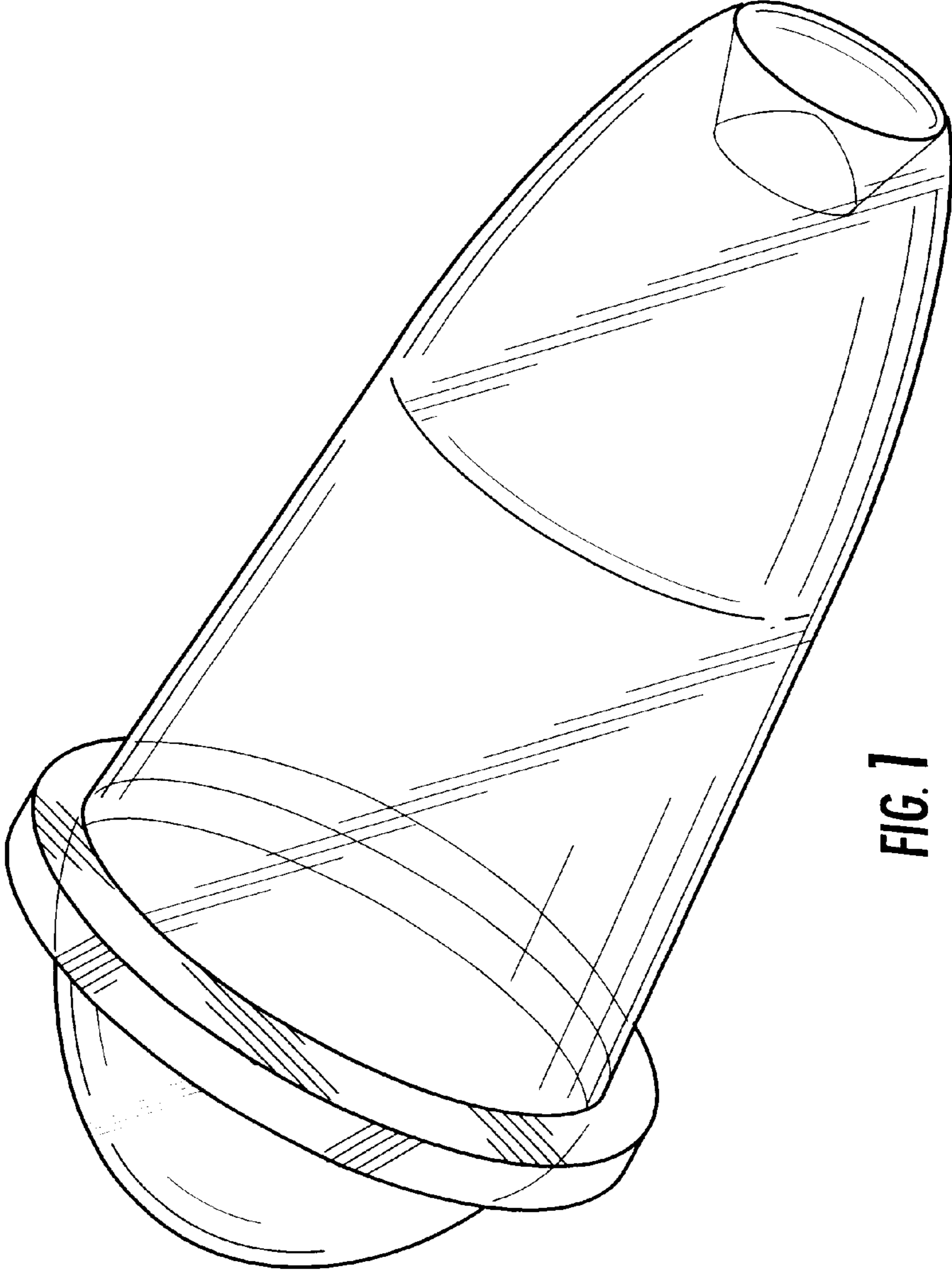


FIG. 1

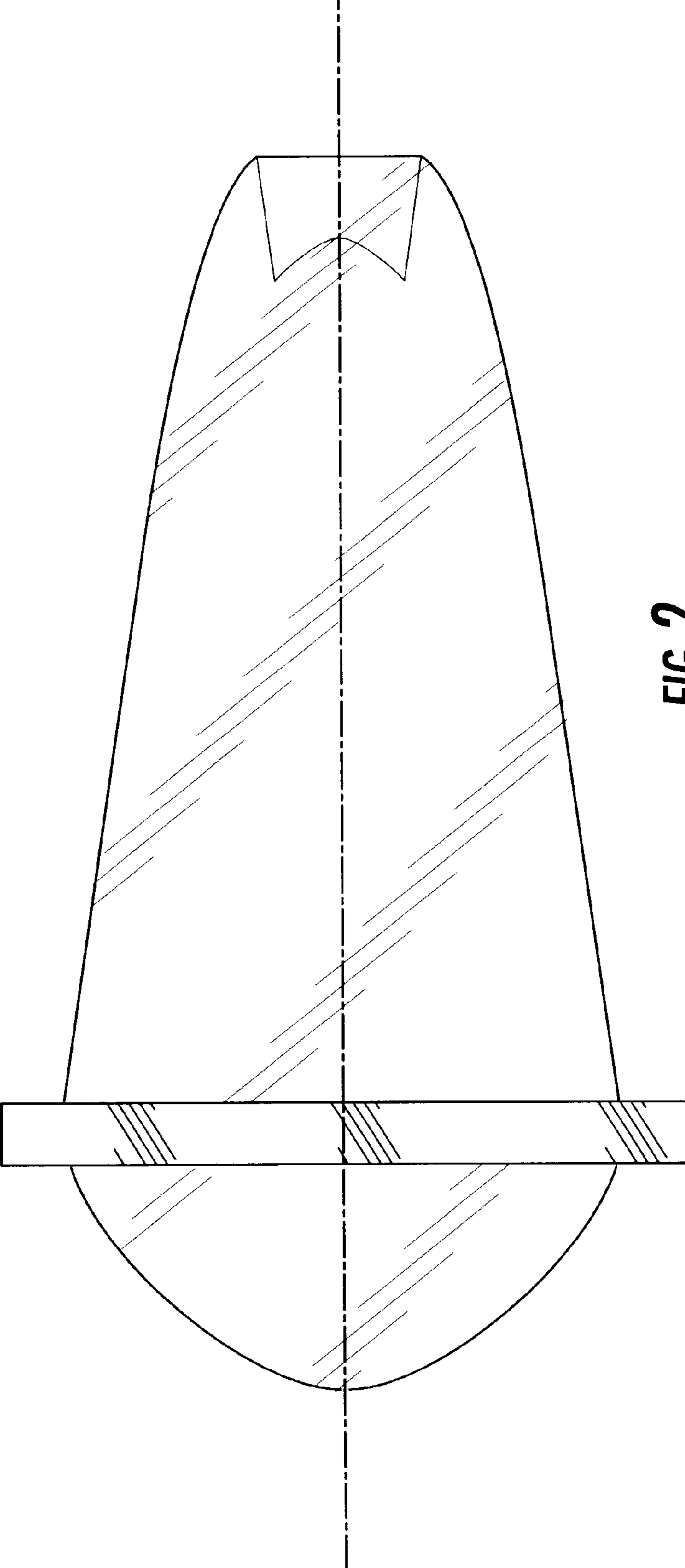


FIG. 2

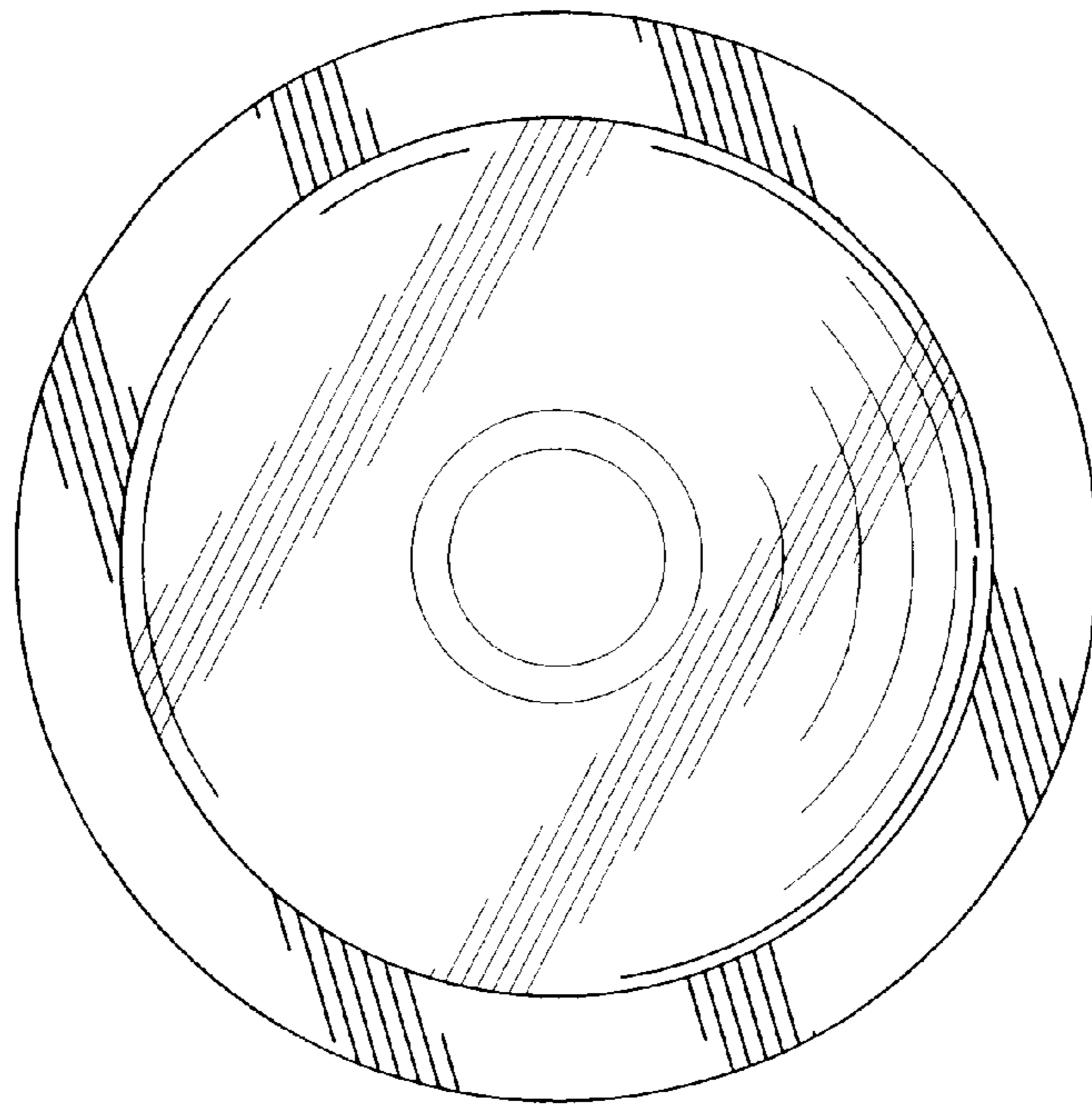


FIG. 3

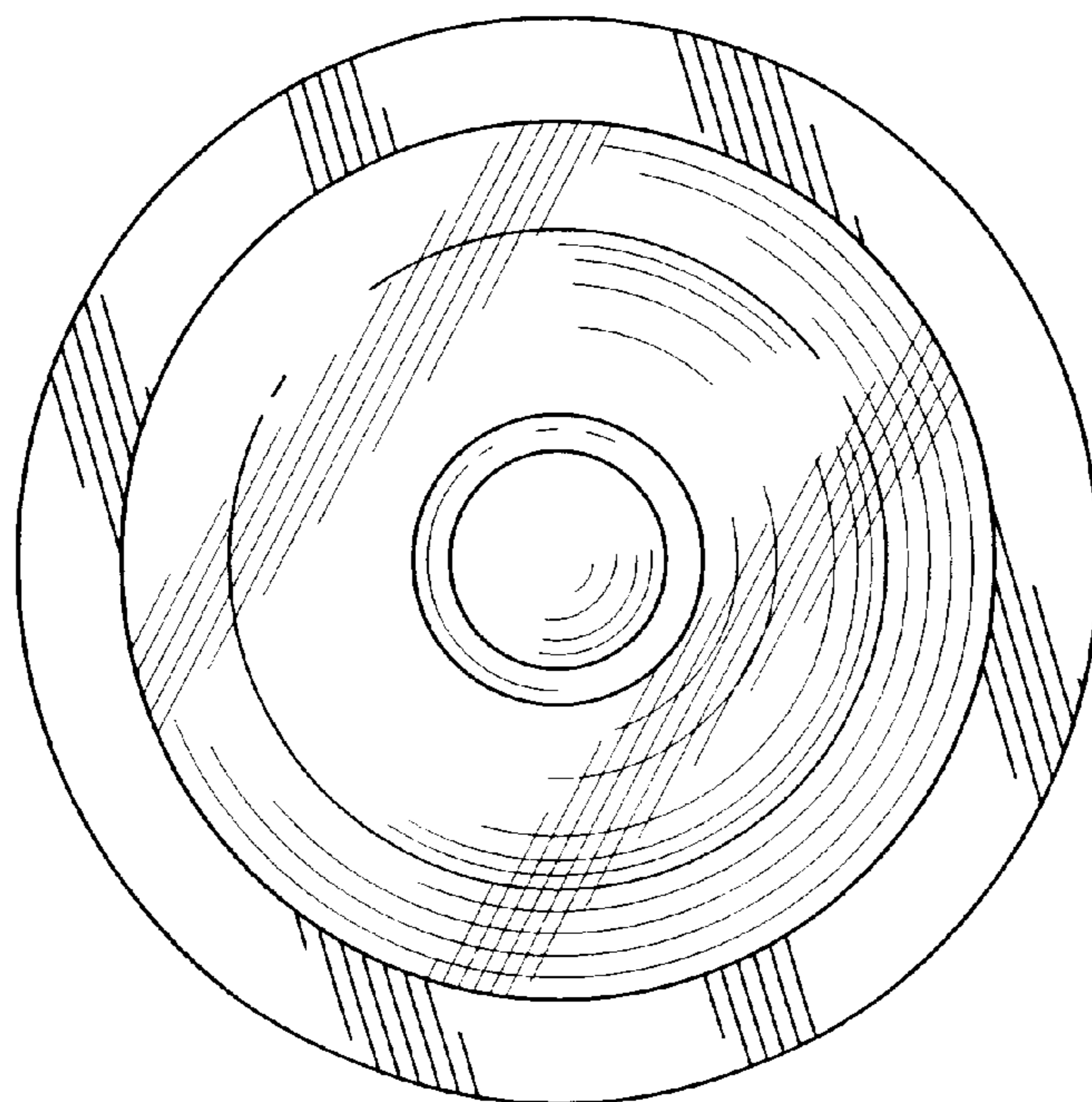


FIG. 4

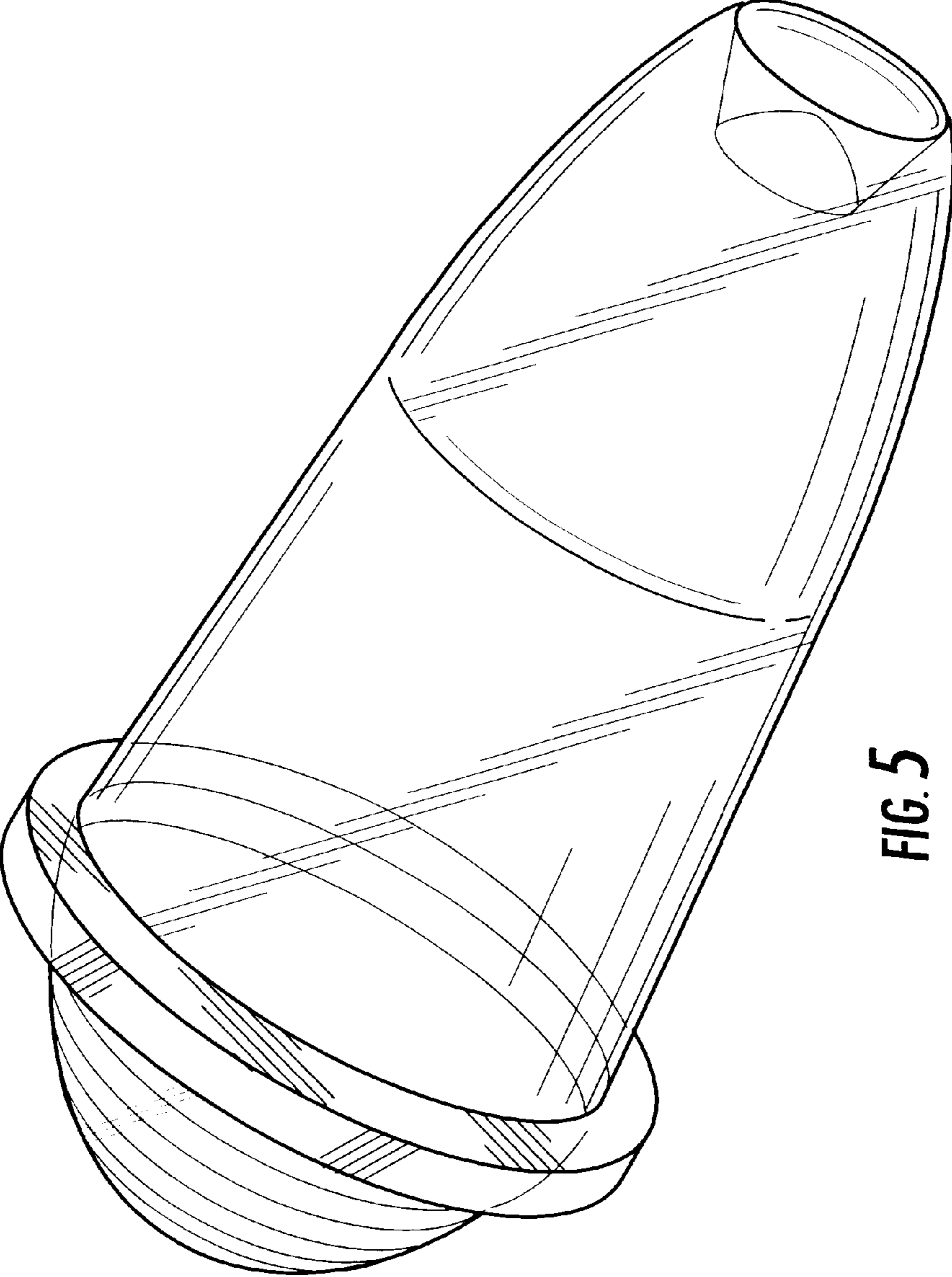


FIG. 5

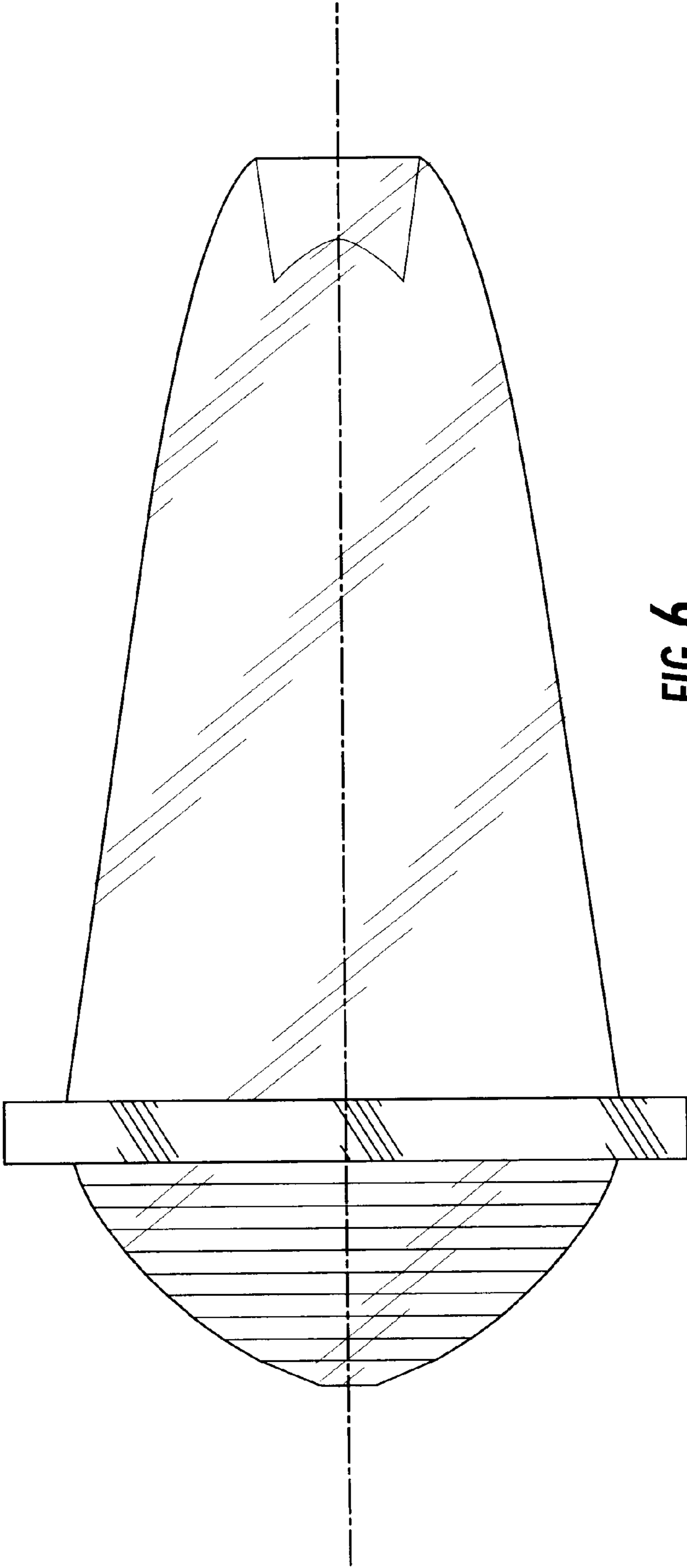


FIG. 6

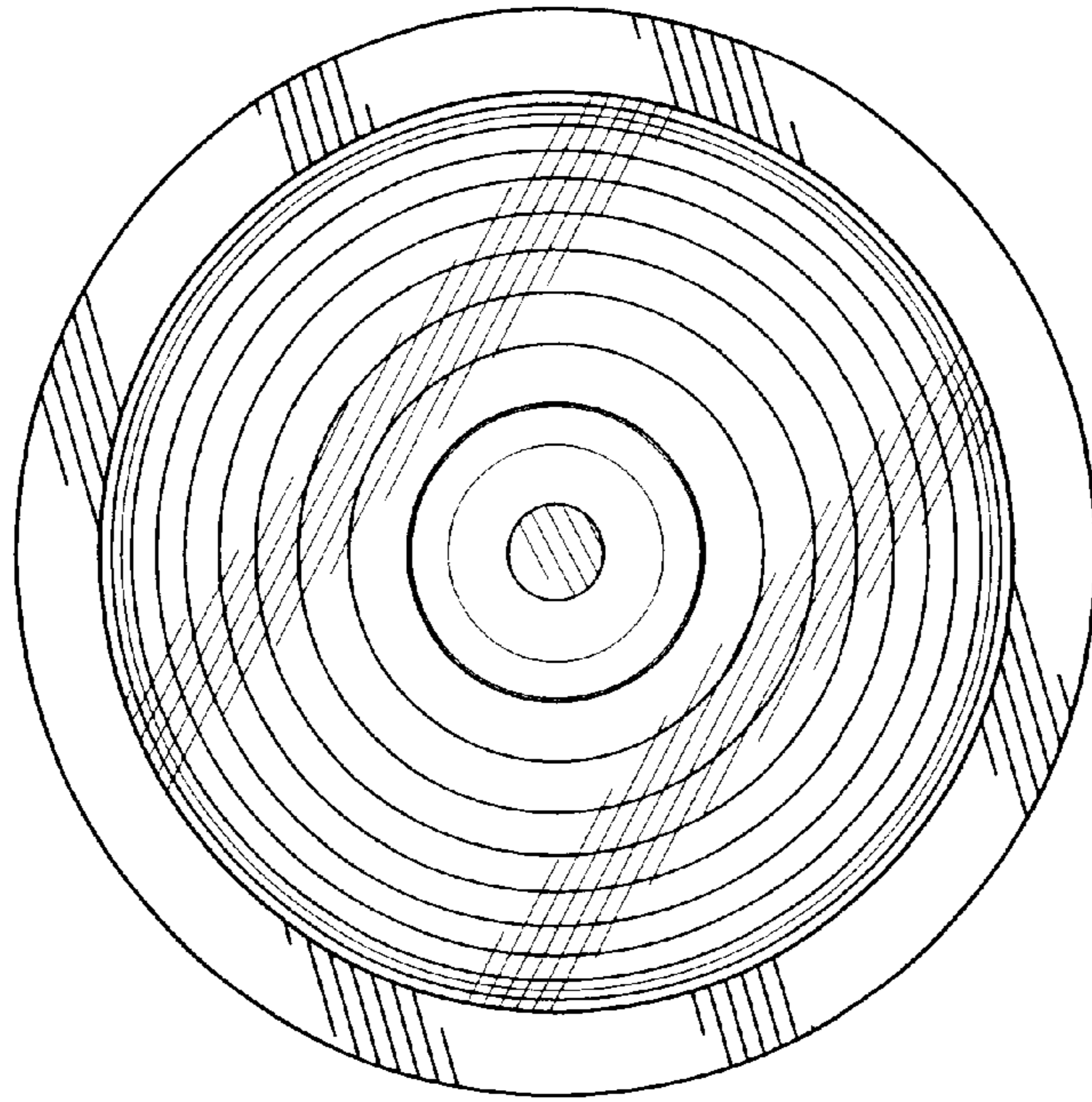


FIG. 7

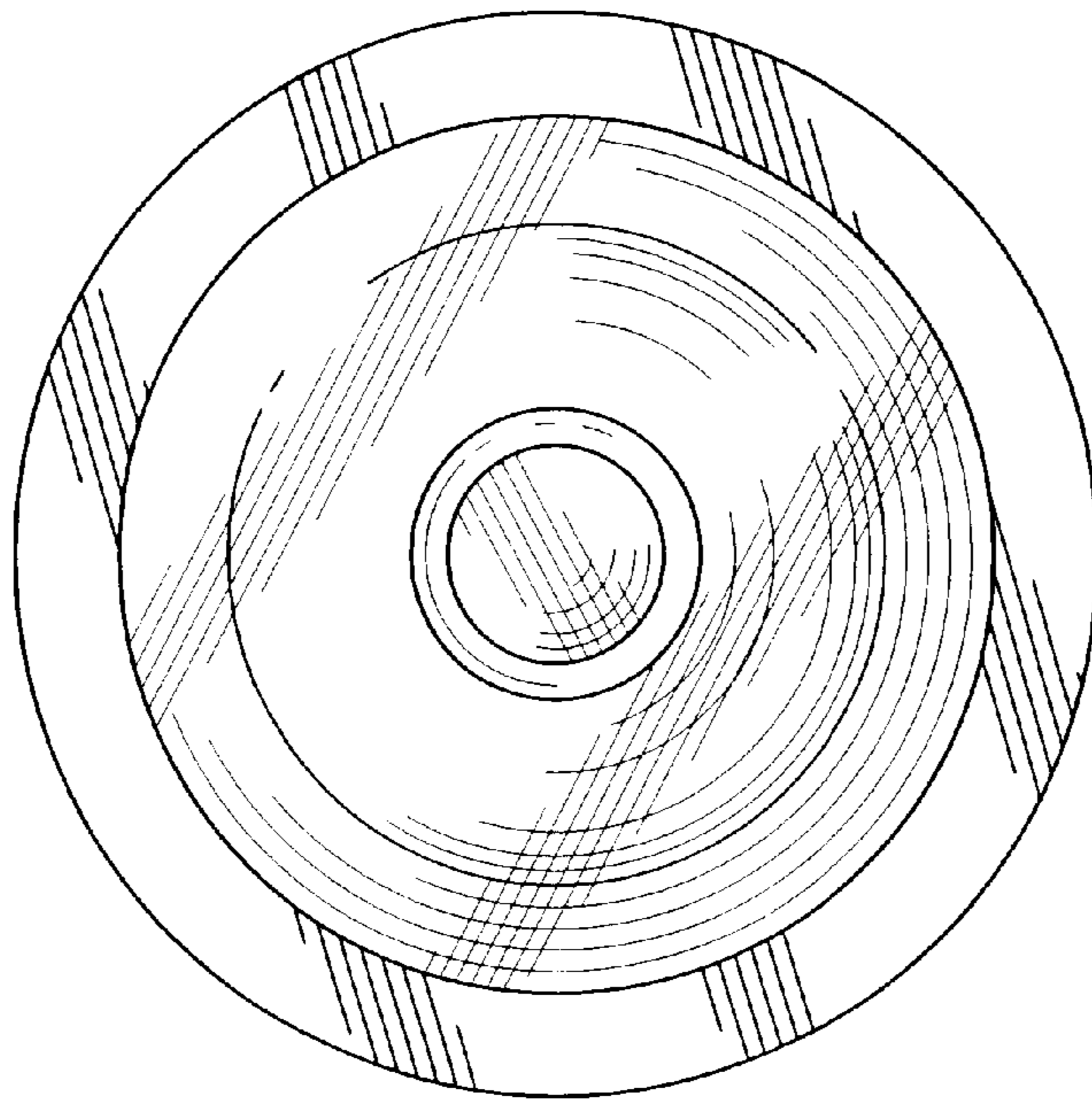


FIG. 8