

US00D508509S

(12) **United States Design Patent**  
**Yeung**

(10) **Patent No.:** **US D508,509 S**

(45) **Date of Patent:** **\*\* Aug. 16, 2005**

(54) **PERISCOPE**

(75) **Inventor:** **Wa-Sang Yeung, Kowloon (CN)**

(73) **Assignee:** **Eastcolight (Hong Kong) Limited,**  
**Kowloon (HK)**

(\*\*) **Term:** **14 Years**

(21) **Appl. No.:** **29/211,088**

(22) **Filed:** **Aug. 11, 2004**

(51) **LOC (8) Cl.** ..... **16-99**

(52) **U.S. Cl.** ..... **D16/130**

(58) **Field of Search** ..... **D16/130-136;**  
**359/402, 403, 406, 503, 429, 363, 834,**  
**857, 439, 351; D21/403; 446/219**

(56) **References Cited**

**U.S. PATENT DOCUMENTS**

1,480,112 A *	1/1924	Poppenhusen	359/439
1,837,208 A *	12/1931	Cover	359/402
2,325,253 A *	7/1943	Laging	359/857
3,801,187 A *	4/1974	McMichael	359/503
4,195,922 A *	4/1980	Hajnal	348/335

4,580,886 A *	4/1986	Hajnal	396/432
4,868,588 A *	9/1989	Hajnal	396/432
4,887,893 A *	12/1989	Dahlgren	359/857
D347,440 S *	5/1994	Holznel	D16/130
5,469,236 A *	11/1995	Roessel	396/432
5,943,163 A *	8/1999	Tartaglia	359/351
D460,771 S *	7/2002	Kung	D16/130

\* cited by examiner

*Primary Examiner*—Paula A. Greene

(74) *Attorney, Agent, or Firm*—Alix, Yale & Ristas, LLP

(57) **CLAIM**

The ornamental design for a periscope, as shown and described.

**DESCRIPTION**

FIG. 1 is a front elevational view of a periscope showing my new design;

FIG. 2 is a right side elevational view thereof;

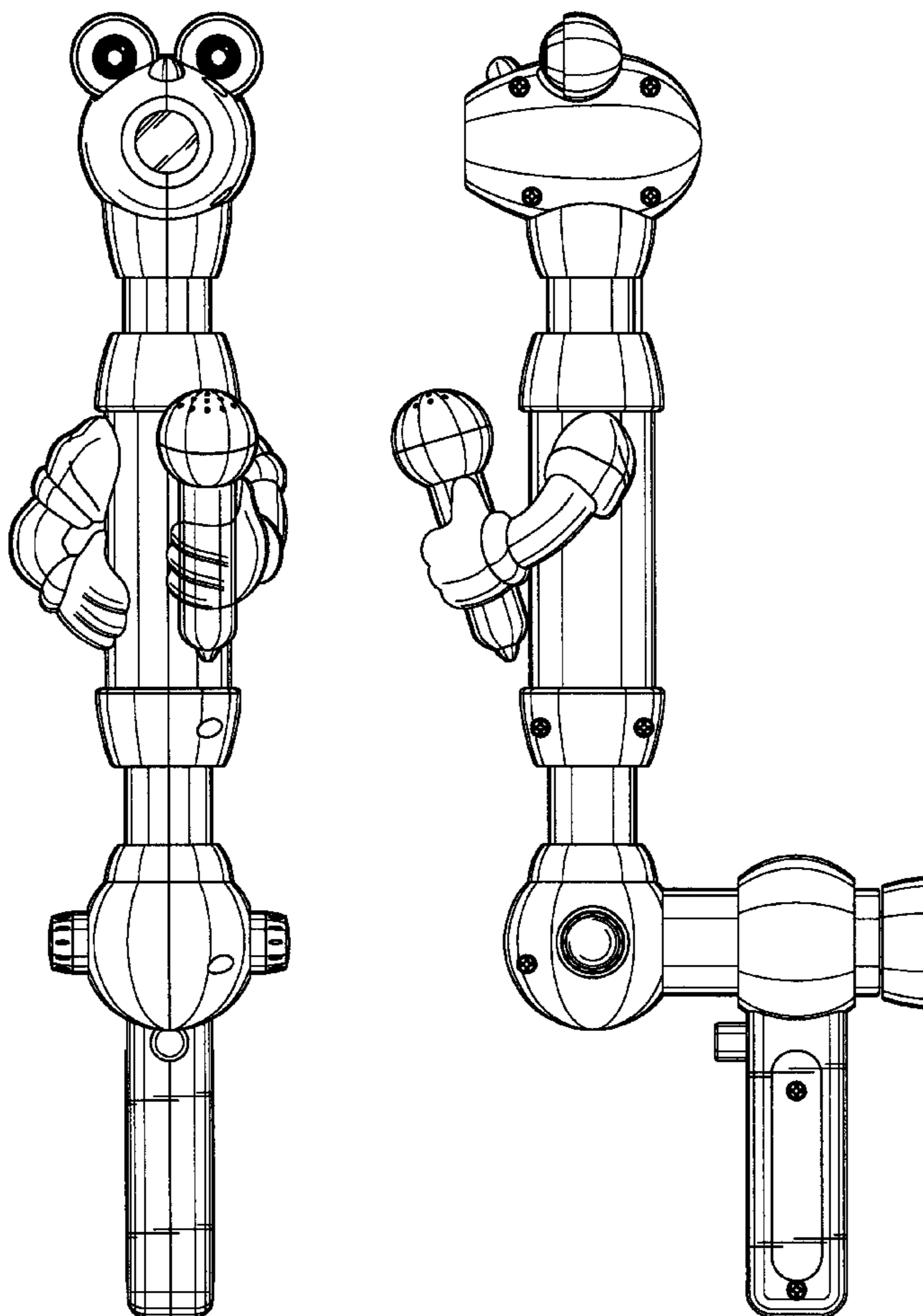
FIG. 3 is a left side elevational view thereof;

FIG. 4 is a rear elevational view thereof;

FIG. 5 is a top plan view thereof; and,

FIG. 6 is a bottom plan view thereof.

**1 Claim, 3 Drawing Sheets**



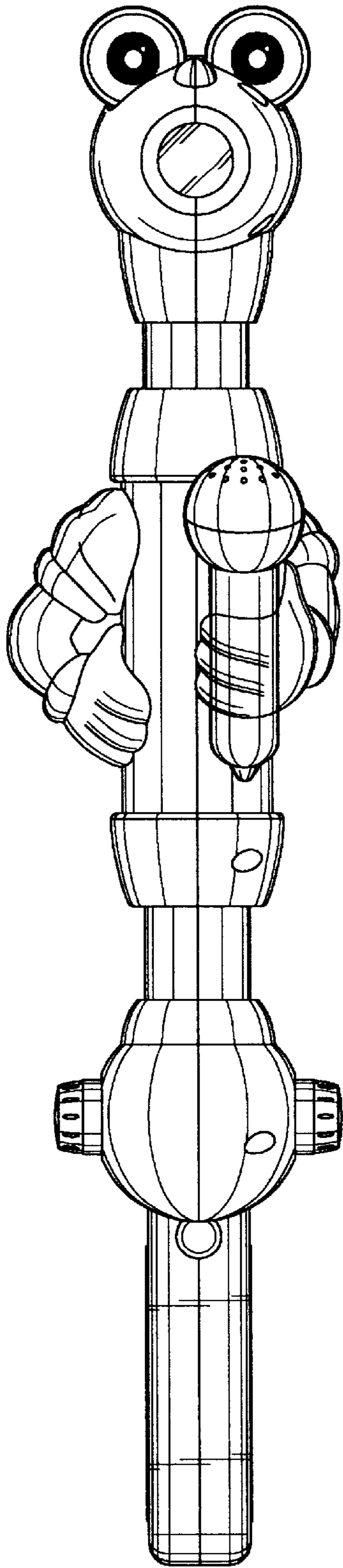


FIG. 1

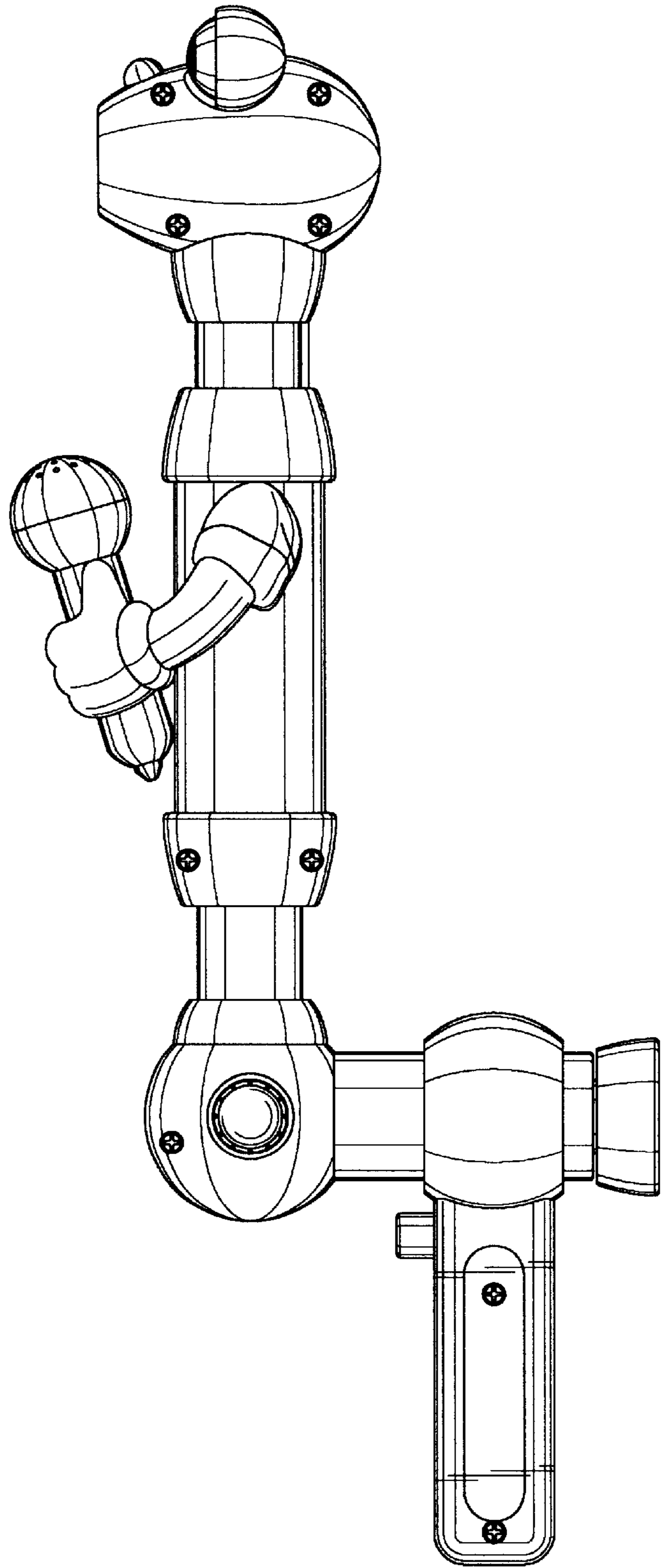


FIG. 2

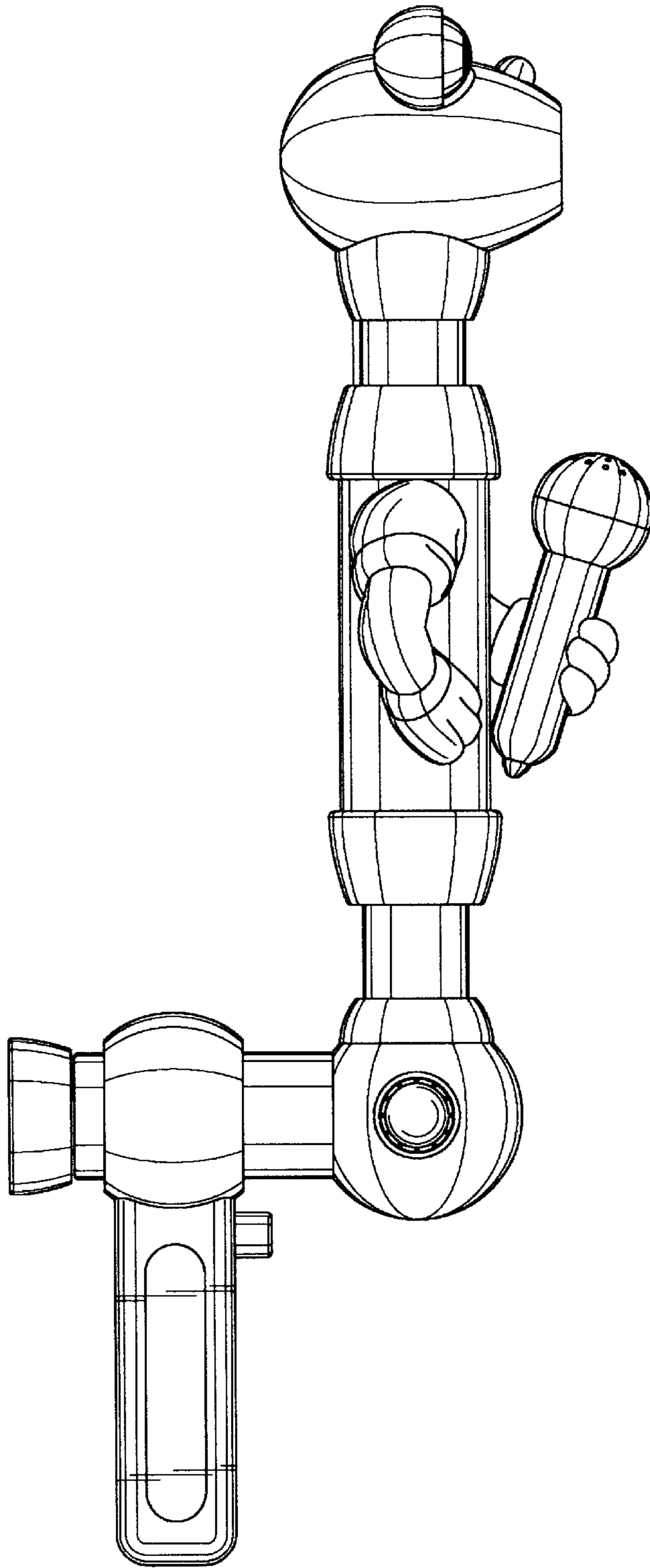


FIG. 3

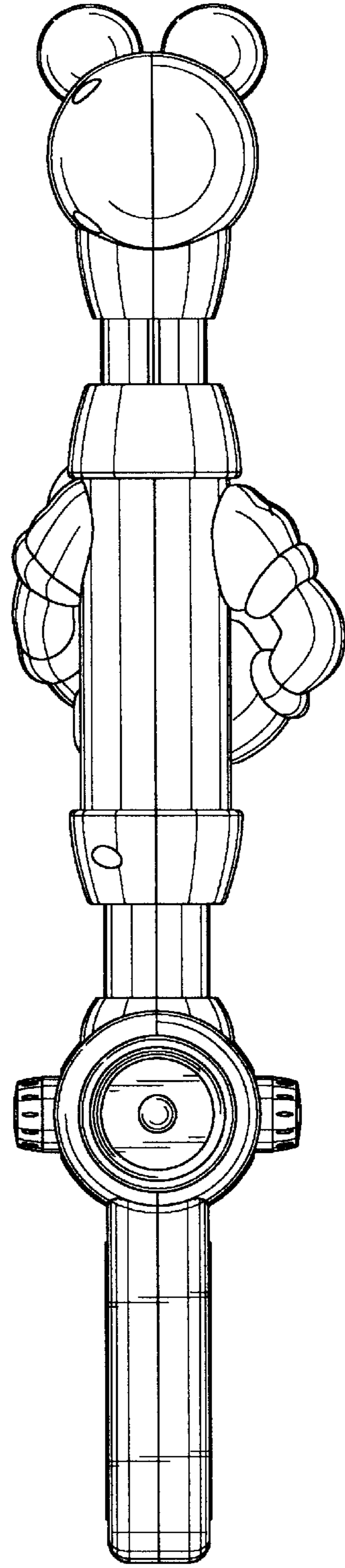


FIG. 4

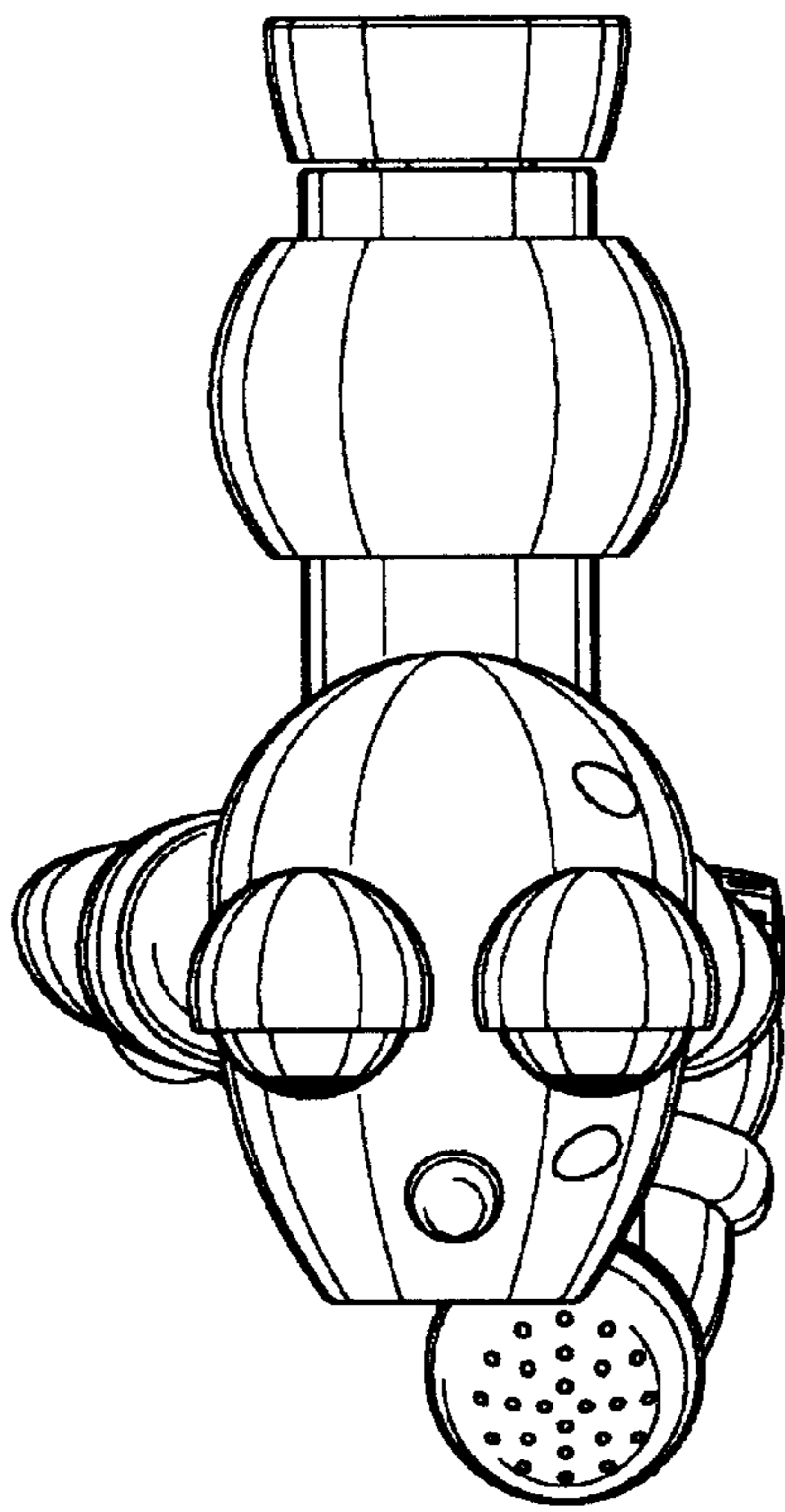


FIG. 5

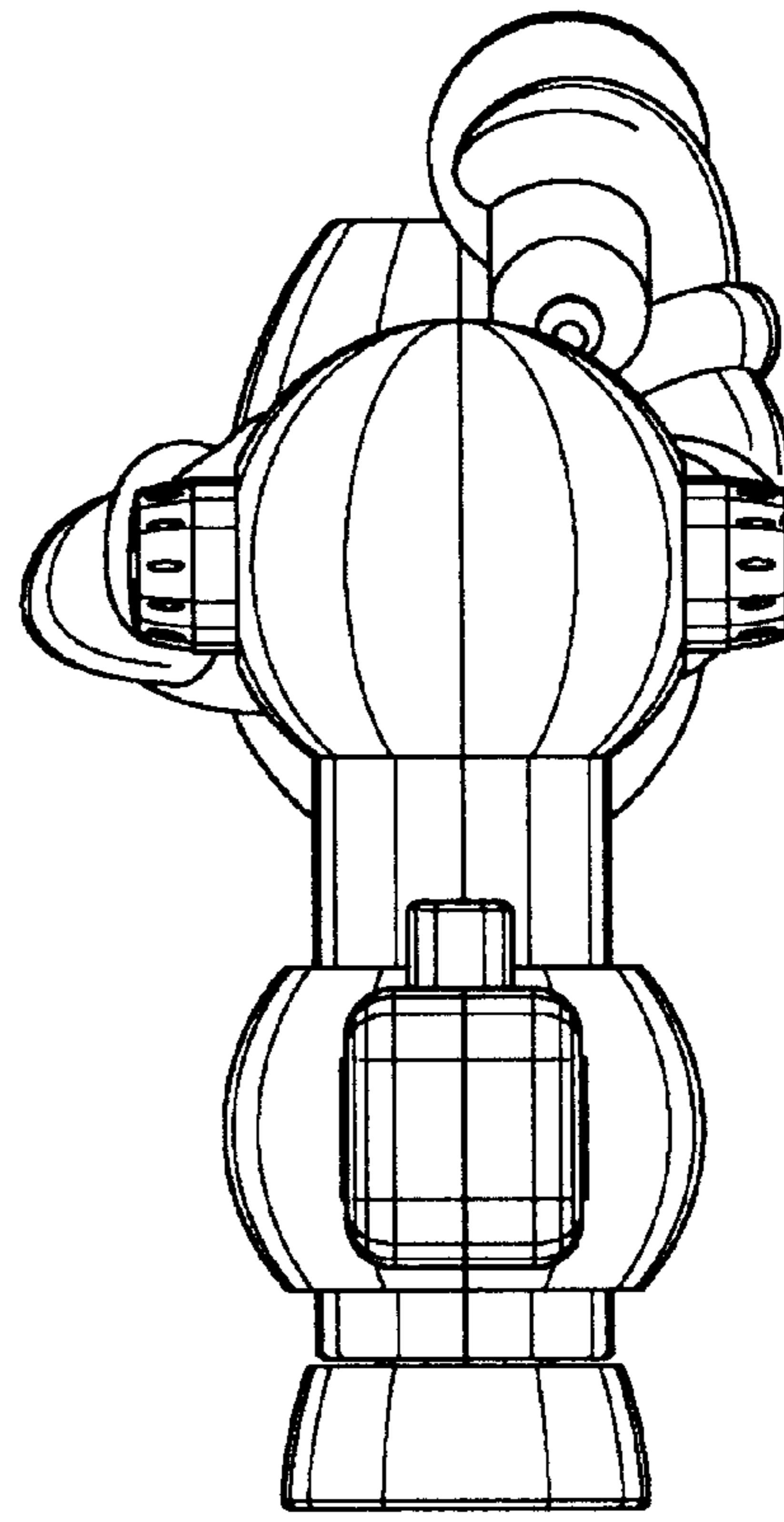


FIG. 6