

US00D508508S

(12) **United States Design Patent**  
**Burick**

(10) **Patent No.:** **US D508,508 S**

(45) **Date of Patent:** **\*\* Aug. 16, 2005**

(54) **ROBOT**

(76) **Inventor:** **Thomas J. Burick**, 310 Rear Depot St.,  
Youngwood, PA (US) 15697

(\*\*) **Term:** **14 Years**

(21) **Appl. No.:** **29/193,849**

(22) **Filed:** **Nov. 14, 2003**

(51) **LOC (8) Cl.** ..... **15-99**

(52) **U.S. Cl.** ..... **D15/199**

(58) **Field of Search** ..... D15/199; 74/214;  
104/165; 228/29; 250/253, 367; 367/120,  
124, 126, 129

(56) **References Cited**

**U.S. PATENT DOCUMENTS**

- 4,767,048 A \* 8/1988 Kimbrough et al. .... 228/29
- 5,286,973 A \* 2/1994 Westrom et al. .... 250/253
- 5,324,948 A \* 6/1994 Dudar et al. .... 250/253
- D410,476 S \* 6/1999 Gomi et al. .... D15/199

- 5,936,240 A \* 8/1999 Dudar et al. .... 250/367
- 5,940,346 A \* 8/1999 Sadowsky et al. .... 367/128
- 6,859,359 B2 \* 2/2005 Young et al. .... 367/128

\* cited by examiner

*Primary Examiner*—Antoine D. Davis

(74) *Attorney, Agent, or Firm*—The Webb Law Firm

(57) **CLAIM**

The ornamental design for a robot, as shown and described.

**DESCRIPTION**

FIG. 1 is a perspective view of a robot in accordance with the present invention;

FIG. 2 is a front view thereof;

FIG. 3 is a rear view thereof;

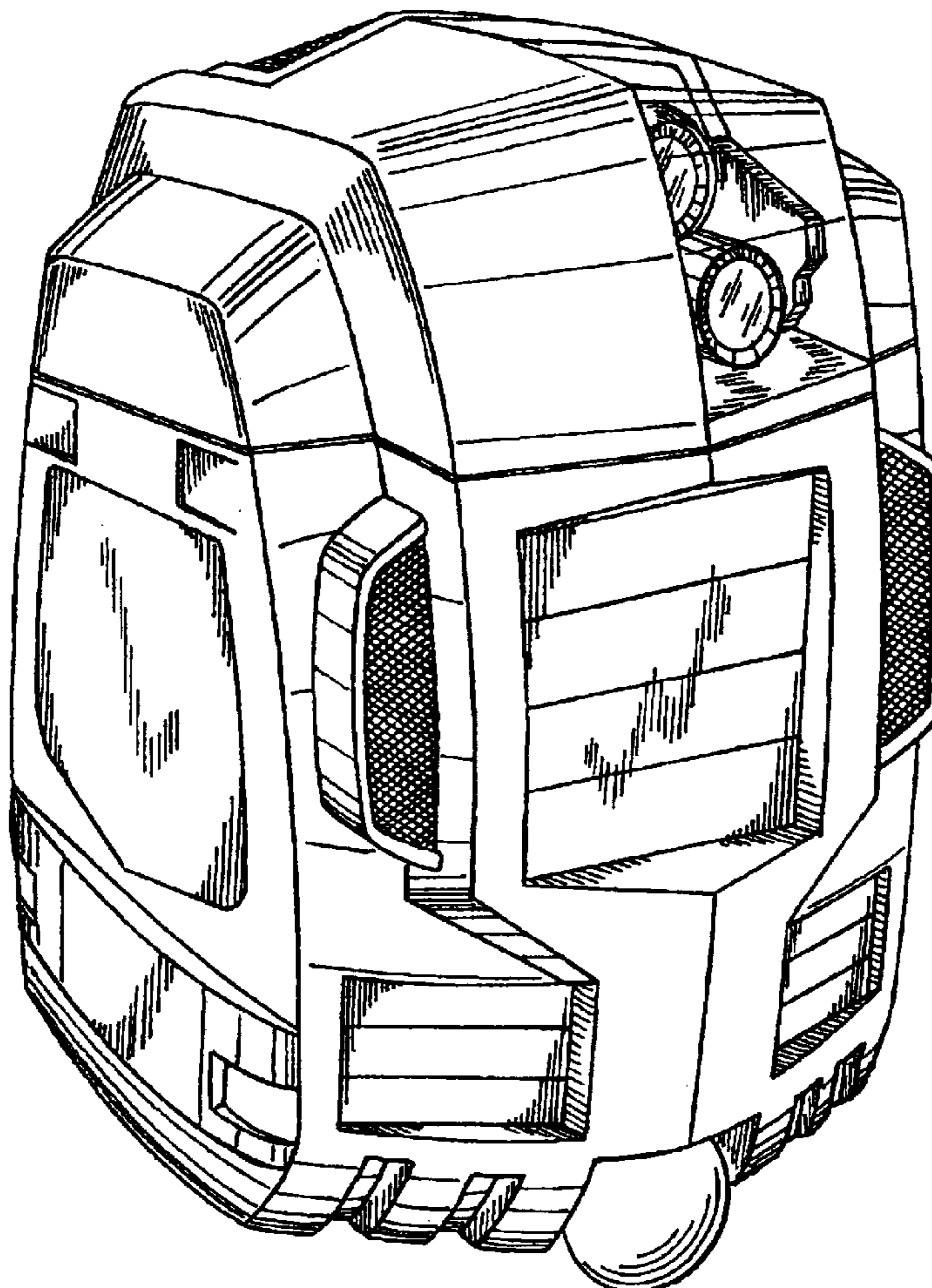
FIG. 4 is a left side view thereof;

FIG. 5 is a right side view thereof;

FIG. 6 is a top view thereof; and,

FIG. 7 is a bottom view thereof.

**1 Claim, 7 Drawing Sheets**



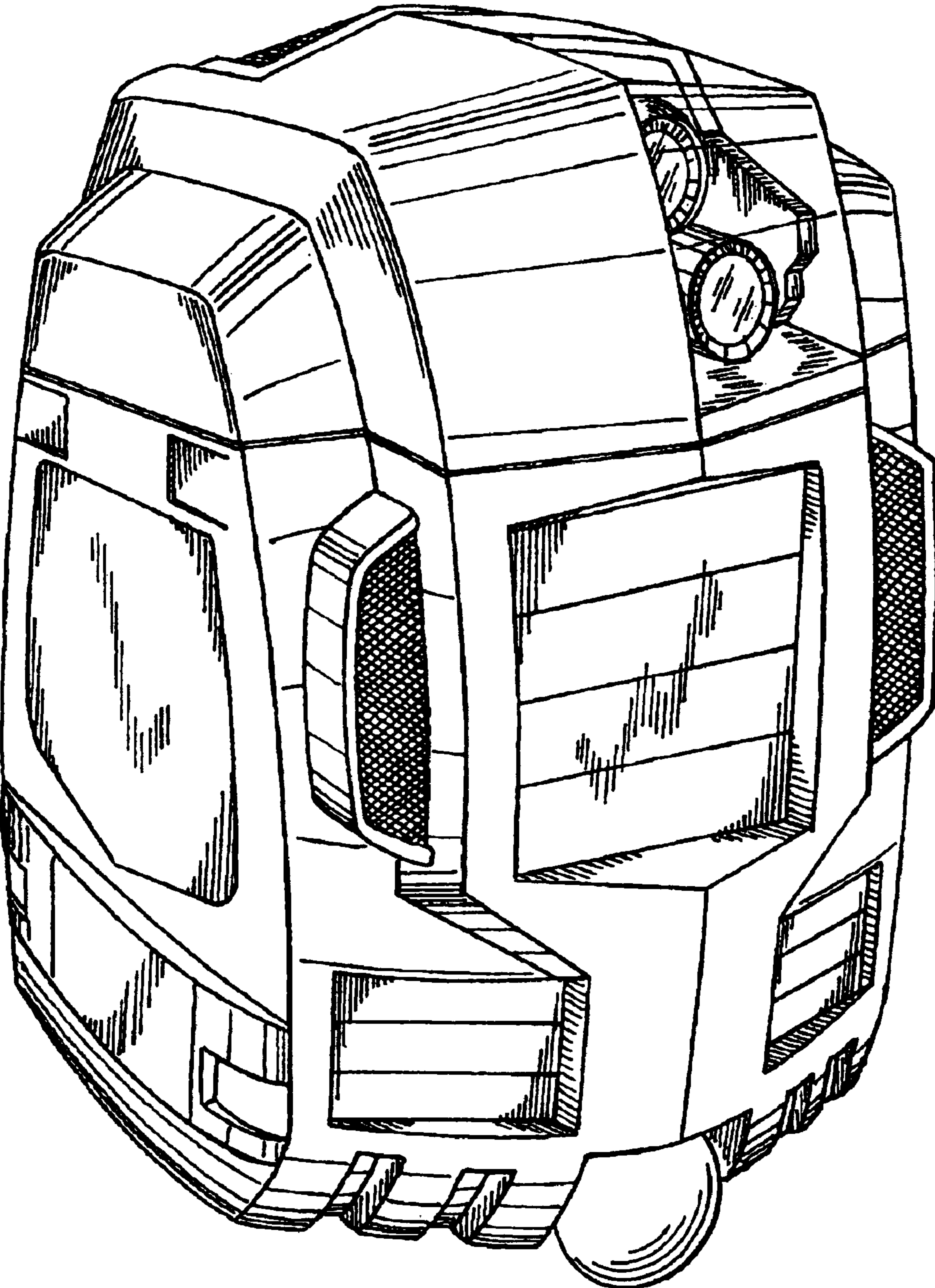


Fig. 1

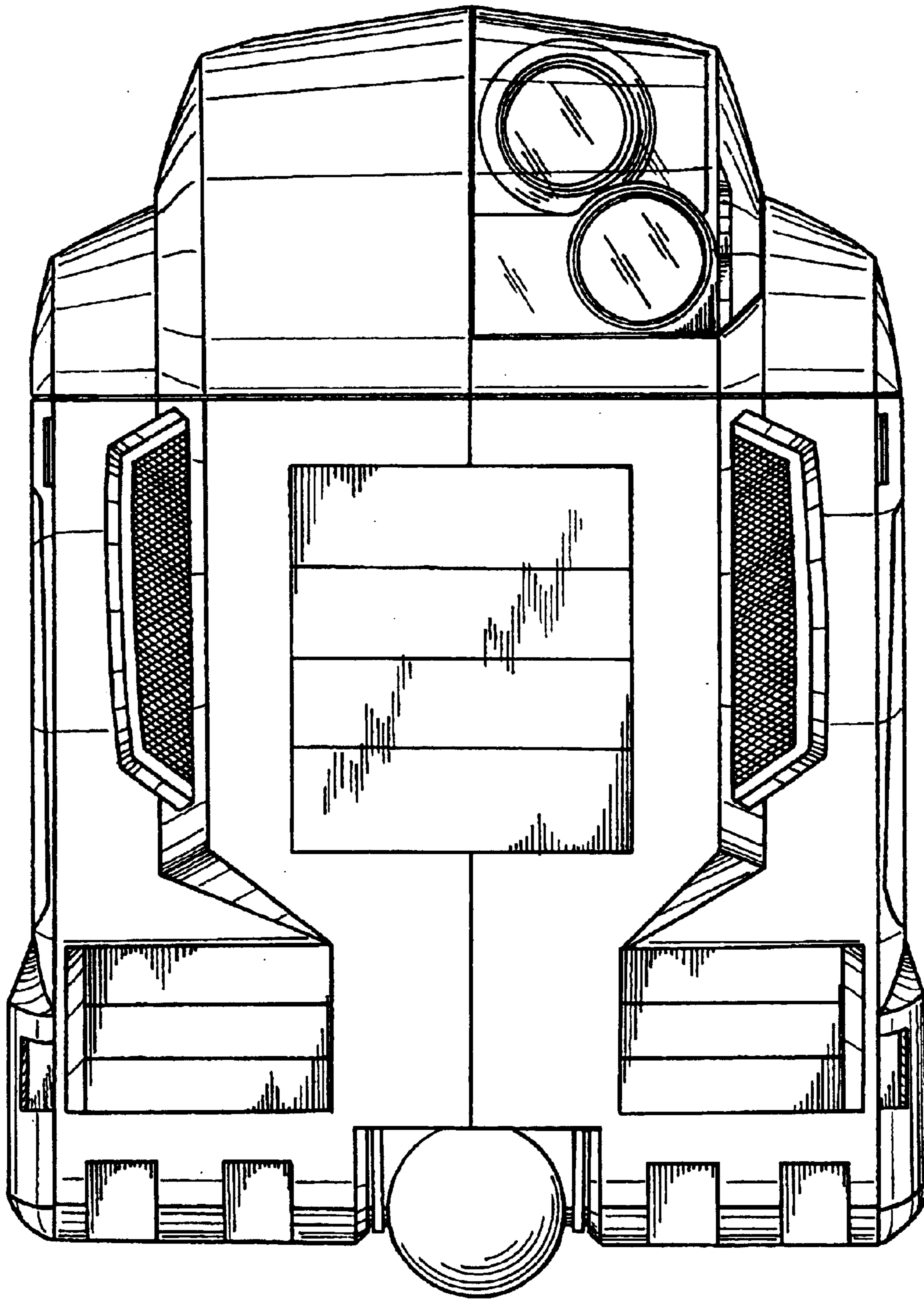


Fig. 2



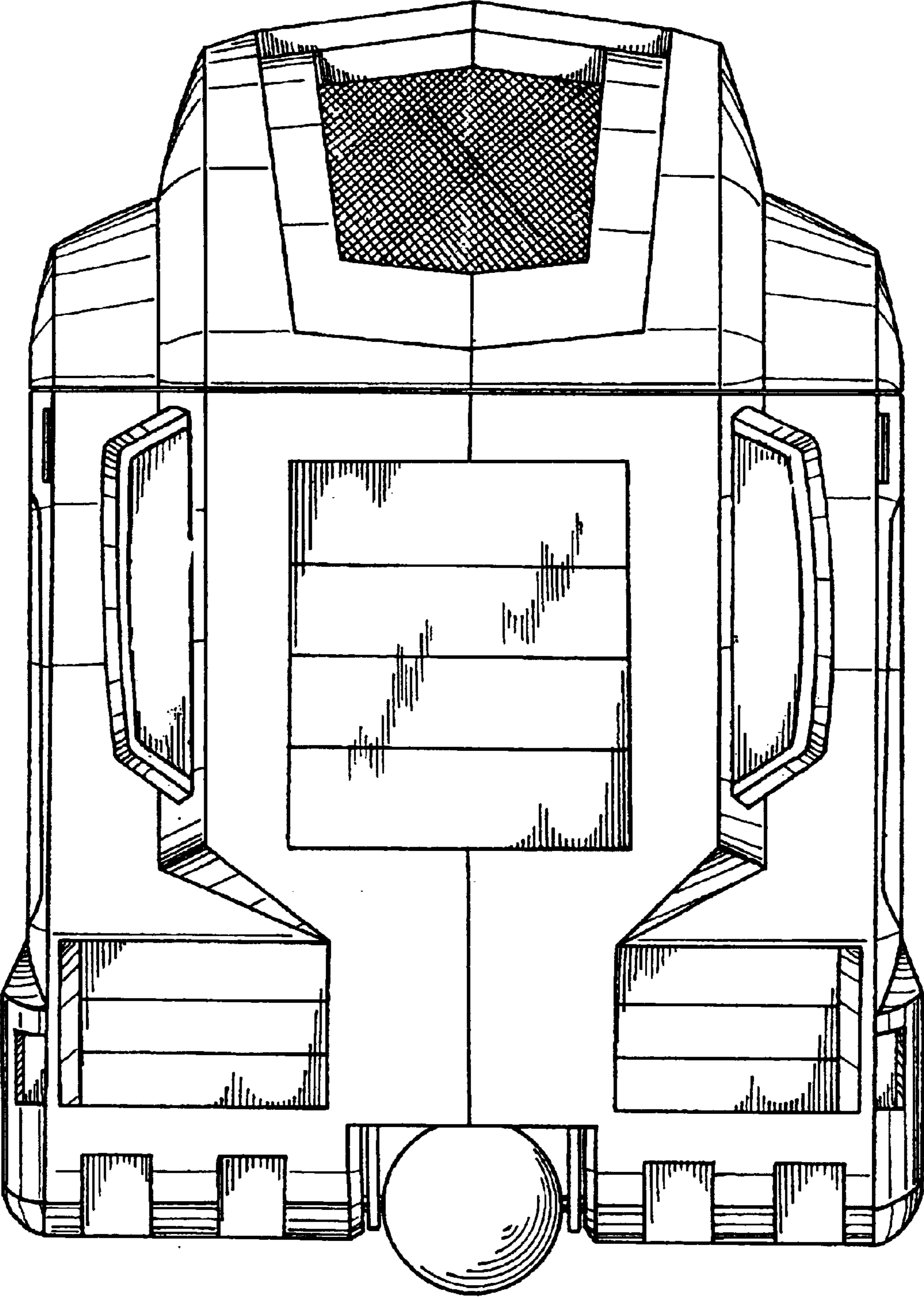


Fig. 3

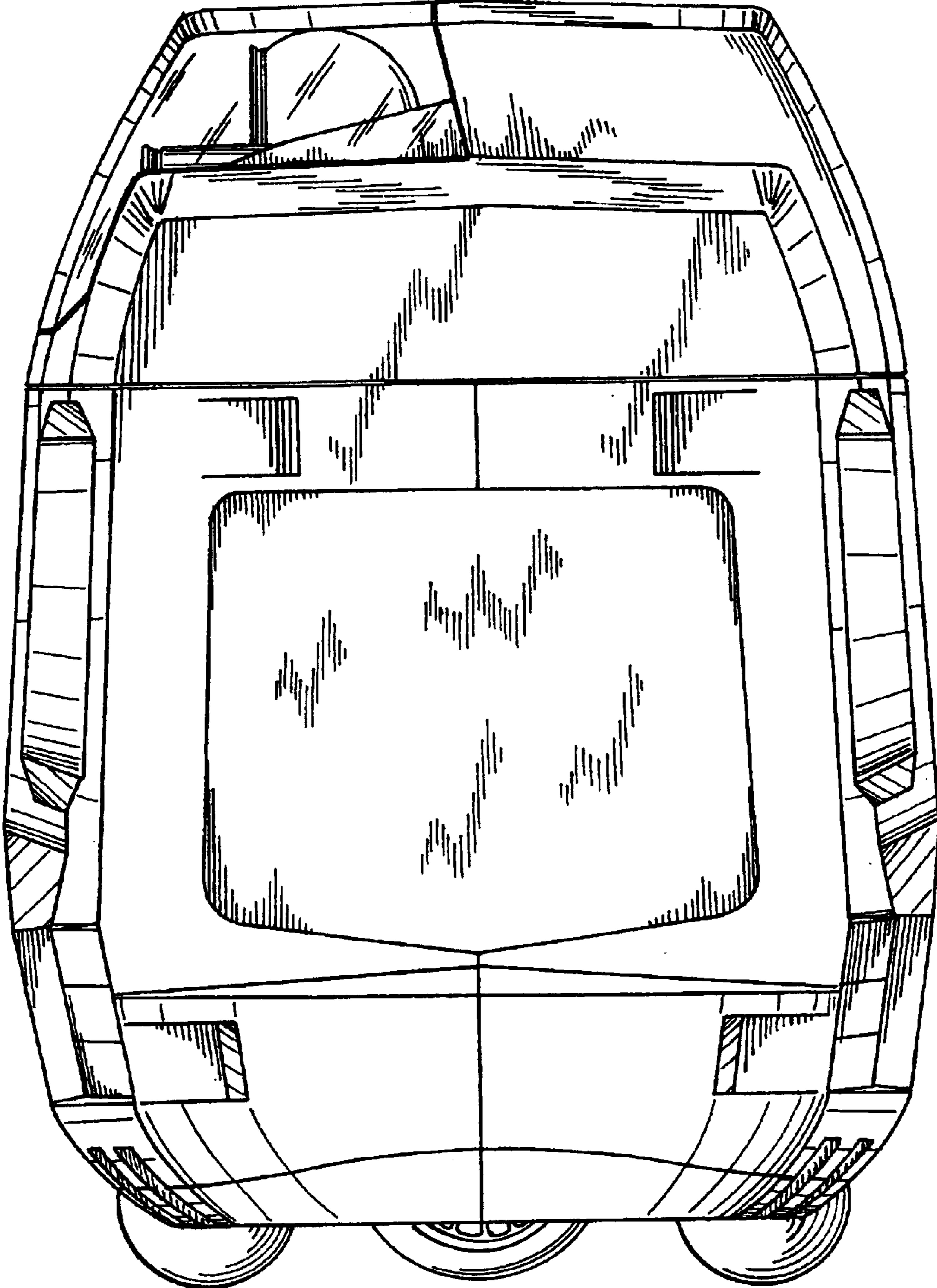


Fig. 4

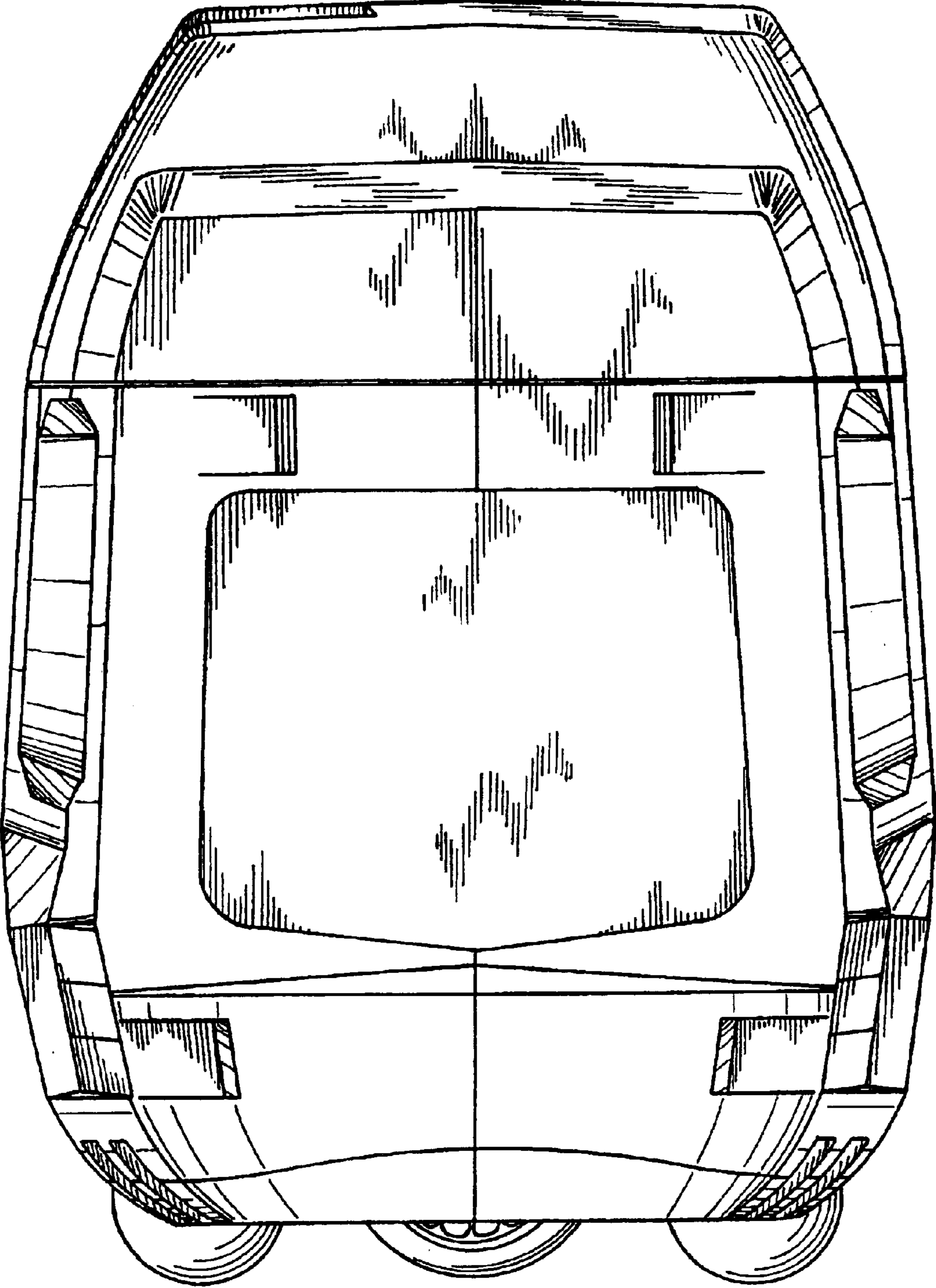


Fig 5

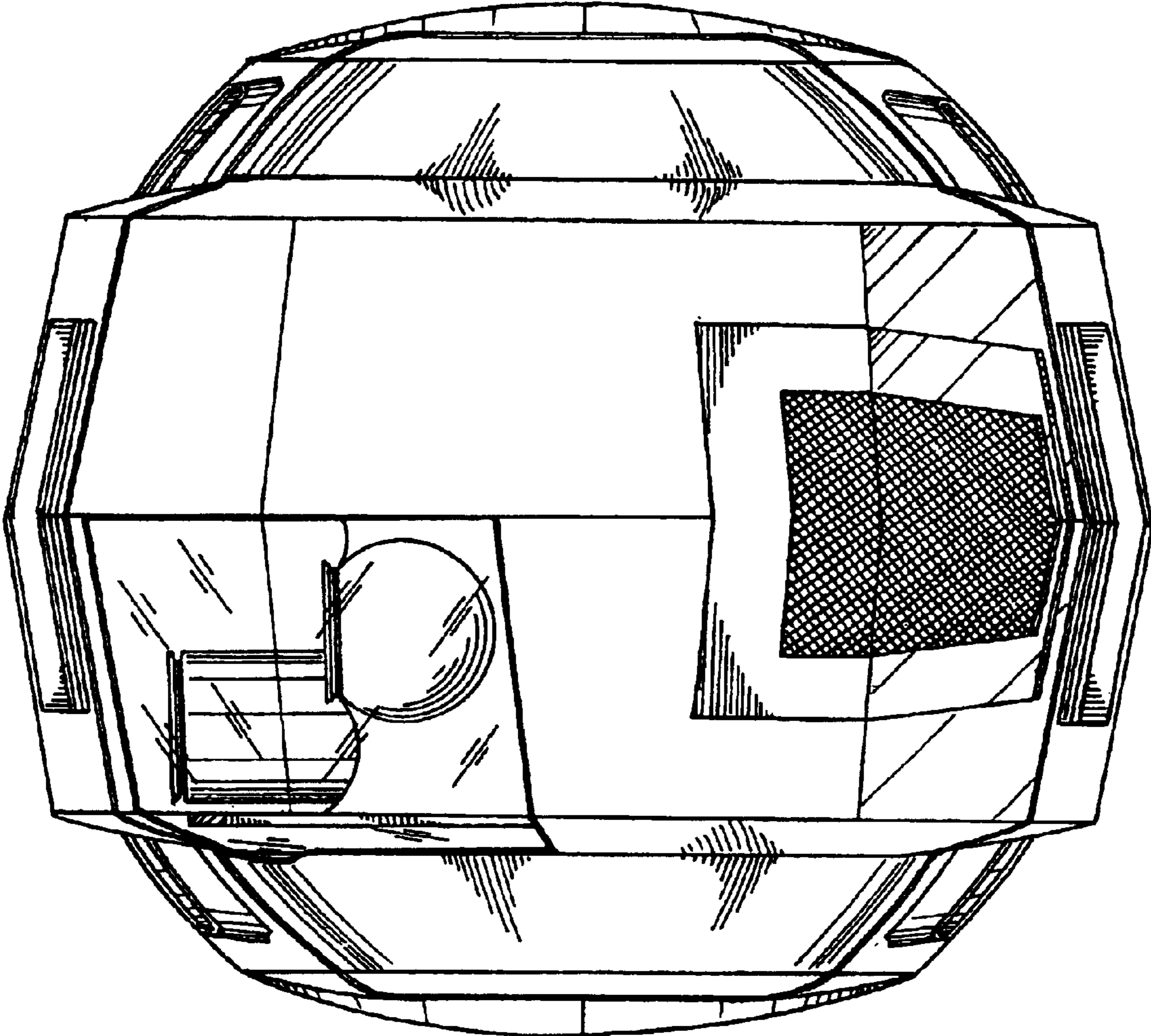


Fig. 6



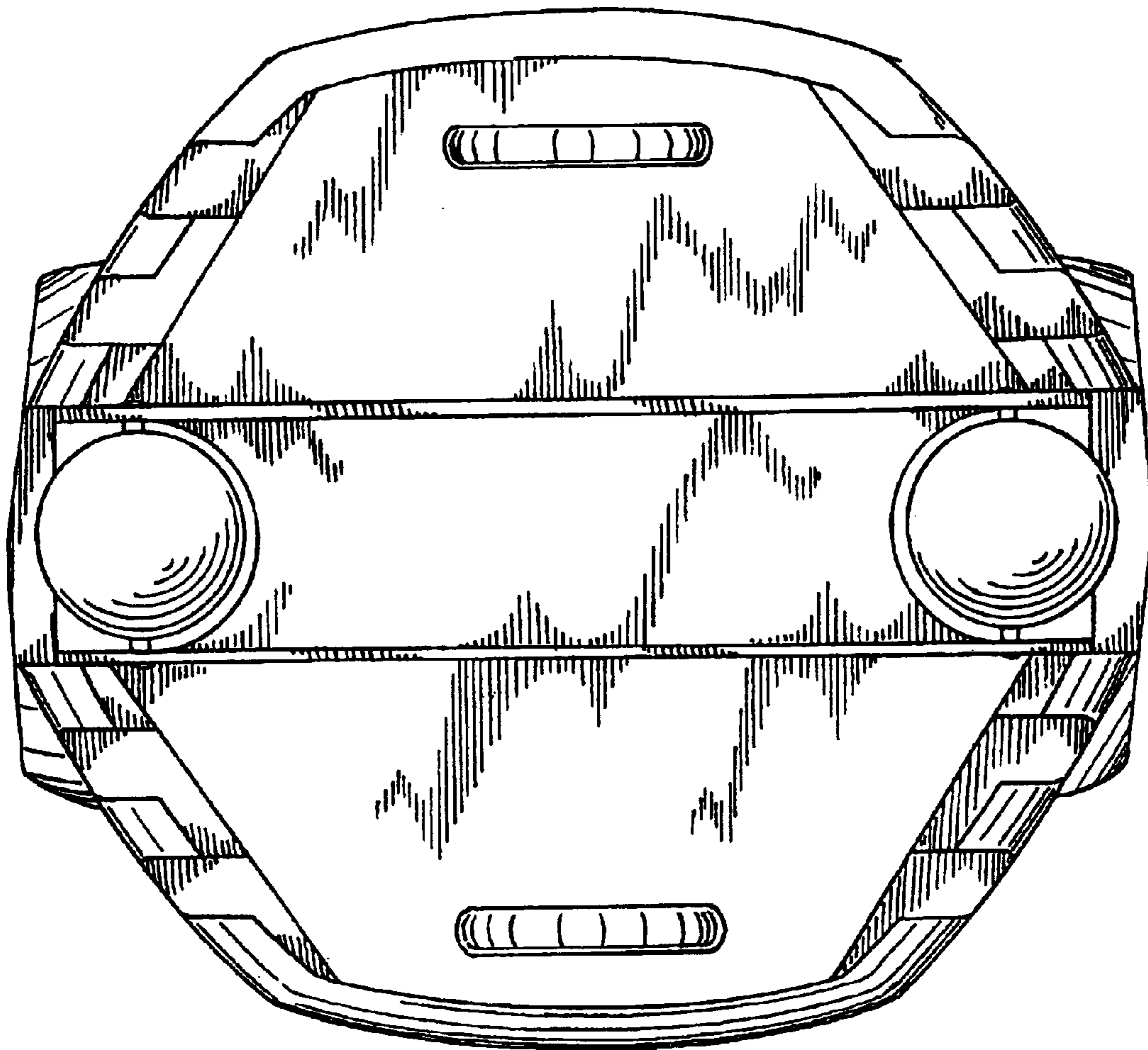


Fig. 7