

US00D508507S

(12) **United States Design Patent**
Oettle

(10) **Patent No.: US D508,507 S**

(45) **Date of Patent: ** Aug. 16, 2005**

(54) **BORING AND DRILLING SYSTEM**

(75) Inventor: **Matthias Oettle, Riederich (DE)**

(73) Assignee: **Hartmetall-Werkzeugfabrik Paul Horn GmbH, Tübingen (DE)**

(**) Term: **14 Years**

(21) Appl. No.: **29/175,511**

(22) Filed: **Feb. 6, 2003**

(30) **Foreign Application Priority Data**

Aug. 28, 2002 (DE) 4 02 07 249

(51) **LOC (8) Cl. 15-09**

(52) **U.S. Cl. D15/139**

(58) **Field of Search** D15/138, 139;
29/447; 82/158, 160, 161; 279/103, 145;
403/273, 30, 341; 407/101, 46; 408/1 R,
234, 143, 239 A, 82, 708, 83; 409/234,
141; 483/1

(56) **References Cited**

U.S. PATENT DOCUMENTS

- 3,054,308 A * 9/1962 Larry 408/59
- 4,666,350 A * 5/1987 Nicholas 408/82
- D305,498 S * 1/1990 Lassiter D15/139
- 5,024,563 A * 6/1991 Randall 408/1 R
- 5,080,536 A * 1/1992 Andrews 408/239 A

- 5,159,863 A * 11/1992 Simpson, III 407/101
- 5,370,023 A * 12/1994 Morgan et al. 82/158
- 5,397,204 A * 3/1995 Grenier et al. 409/234
- 5,620,188 A * 4/1997 McCurry et al. 279/48
- 5,788,249 A * 8/1998 Tagami 279/51
- 6,013,016 A * 1/2000 Irvine et al. 483/1
- 6,312,201 B1 * 11/2001 Nagaya et al. 409/234
- 6,619,165 B2 * 9/2003 Perkowski 82/160
- 6,824,333 B1 * 11/2004 King et al. 407/102

* cited by examiner

Primary Examiner—Antoine D. Davis

(74) *Attorney, Agent, or Firm*—Roylance, Abrams, Berdo, & Goodman, L.L.P.

(57) **CLAIM**

I claim the ornamental design for a boring and drilling system, as shown and described.

DESCRIPTION

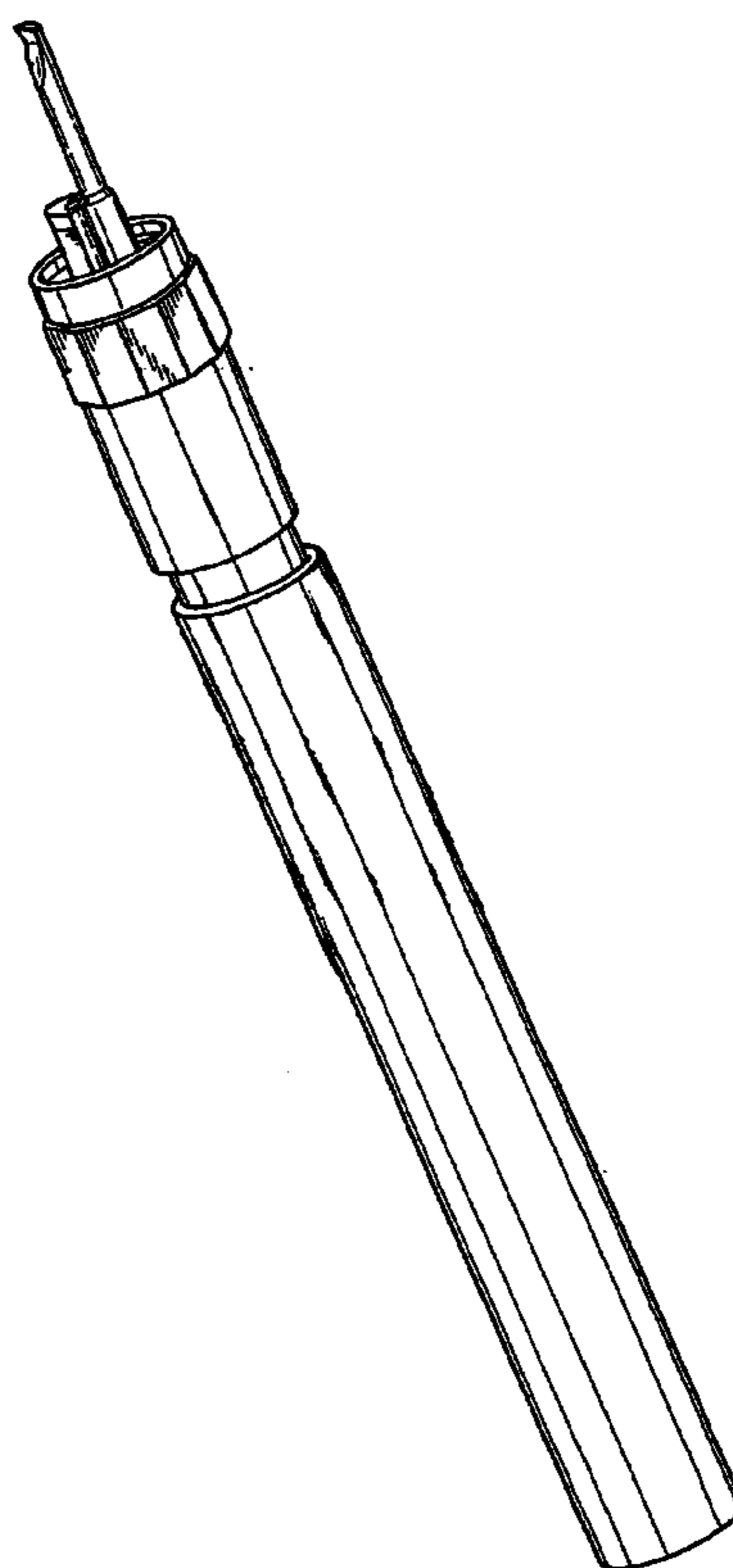
FIG. 1 is a perspective view of a boring and drilling system embodying my design;

FIG. 2 is an enlarged, partial view of the boring and drilling system of FIG. 1;

FIG. 3 is a perspective view of the bit support for the boring and drilling system of FIG. 1; and,

FIG. 4 is a perspective view of the bit for the boring and drilling system of FIG. 1.

1 Claim, 4 Drawing Sheets



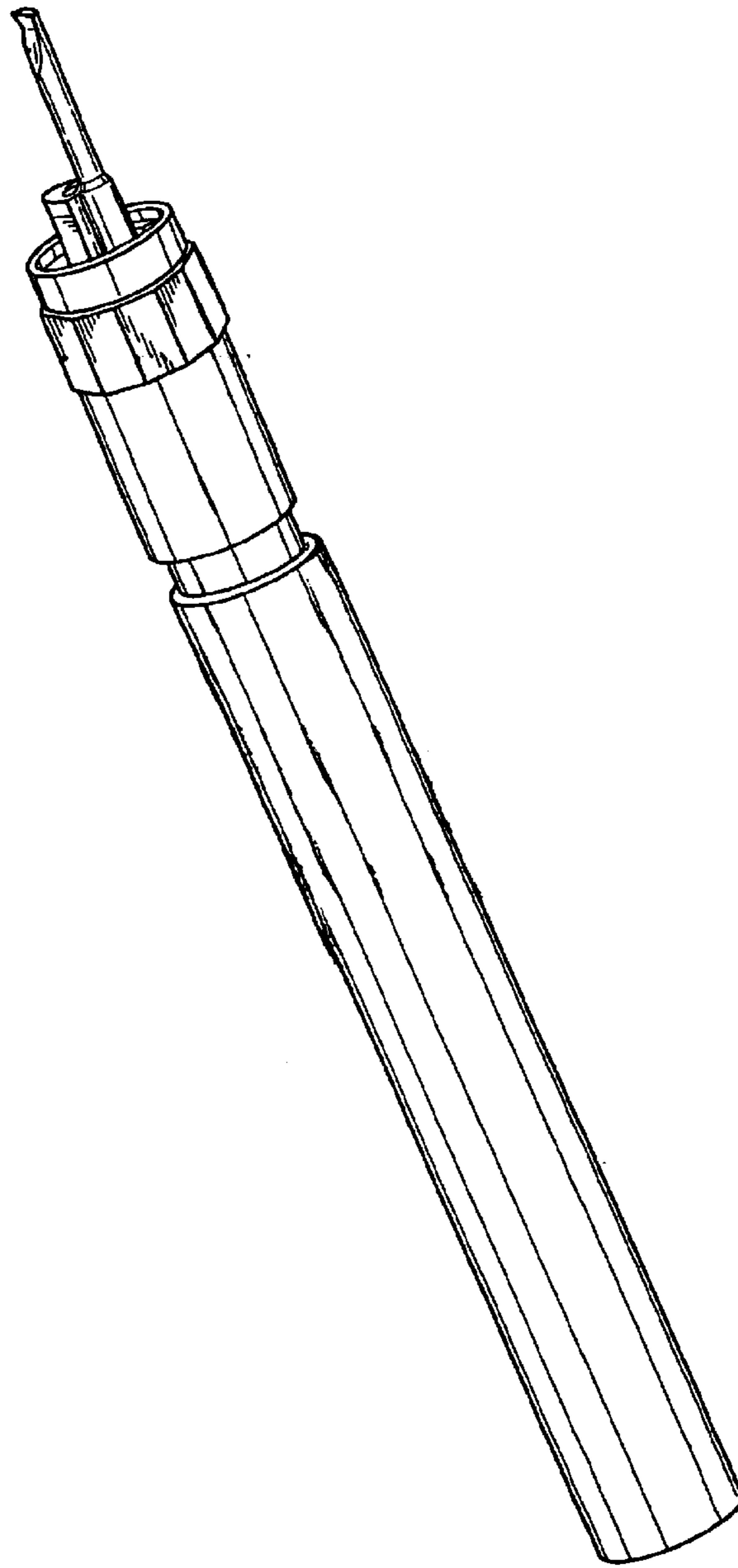


FIG.1

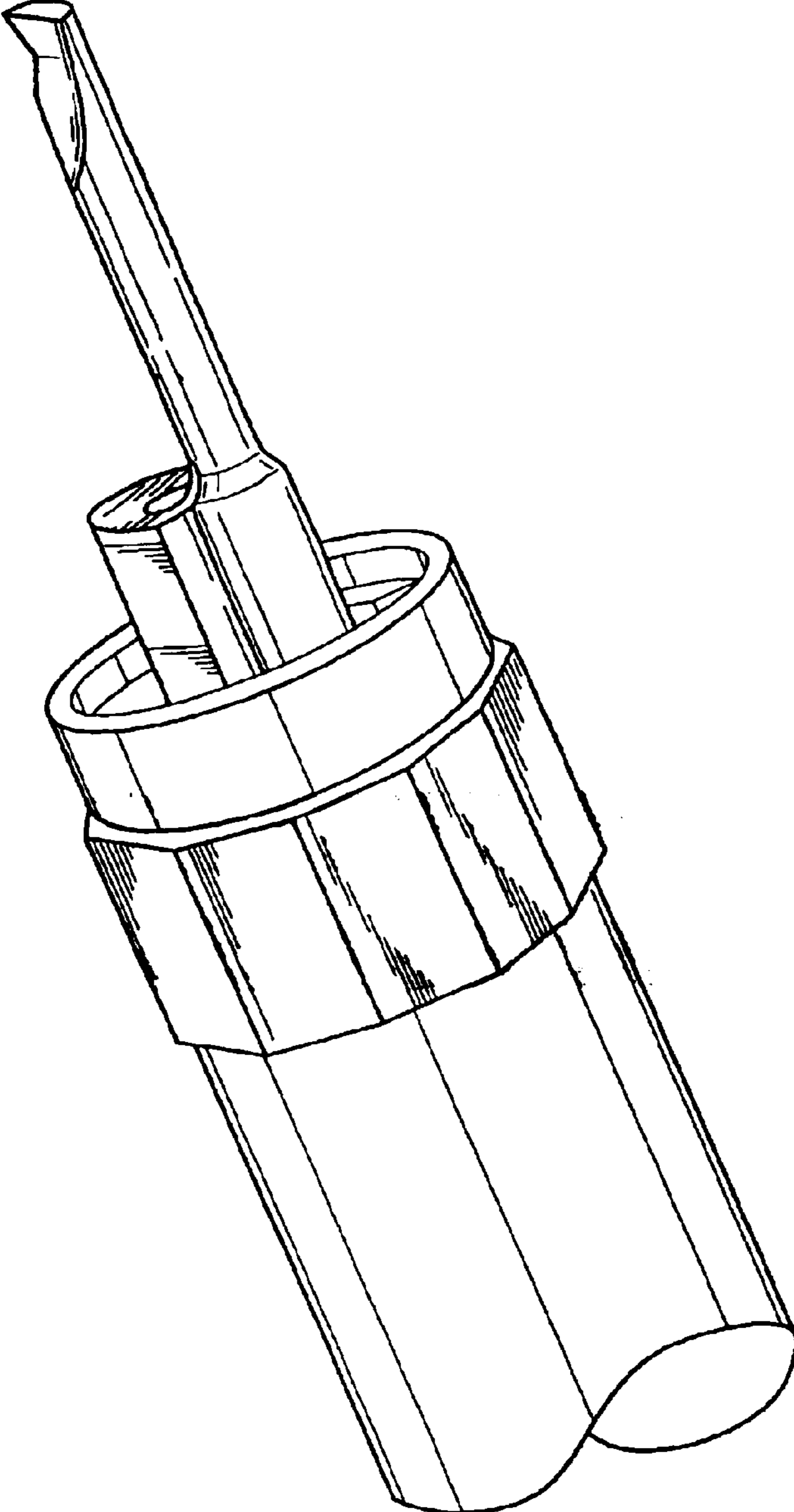


FIG.2

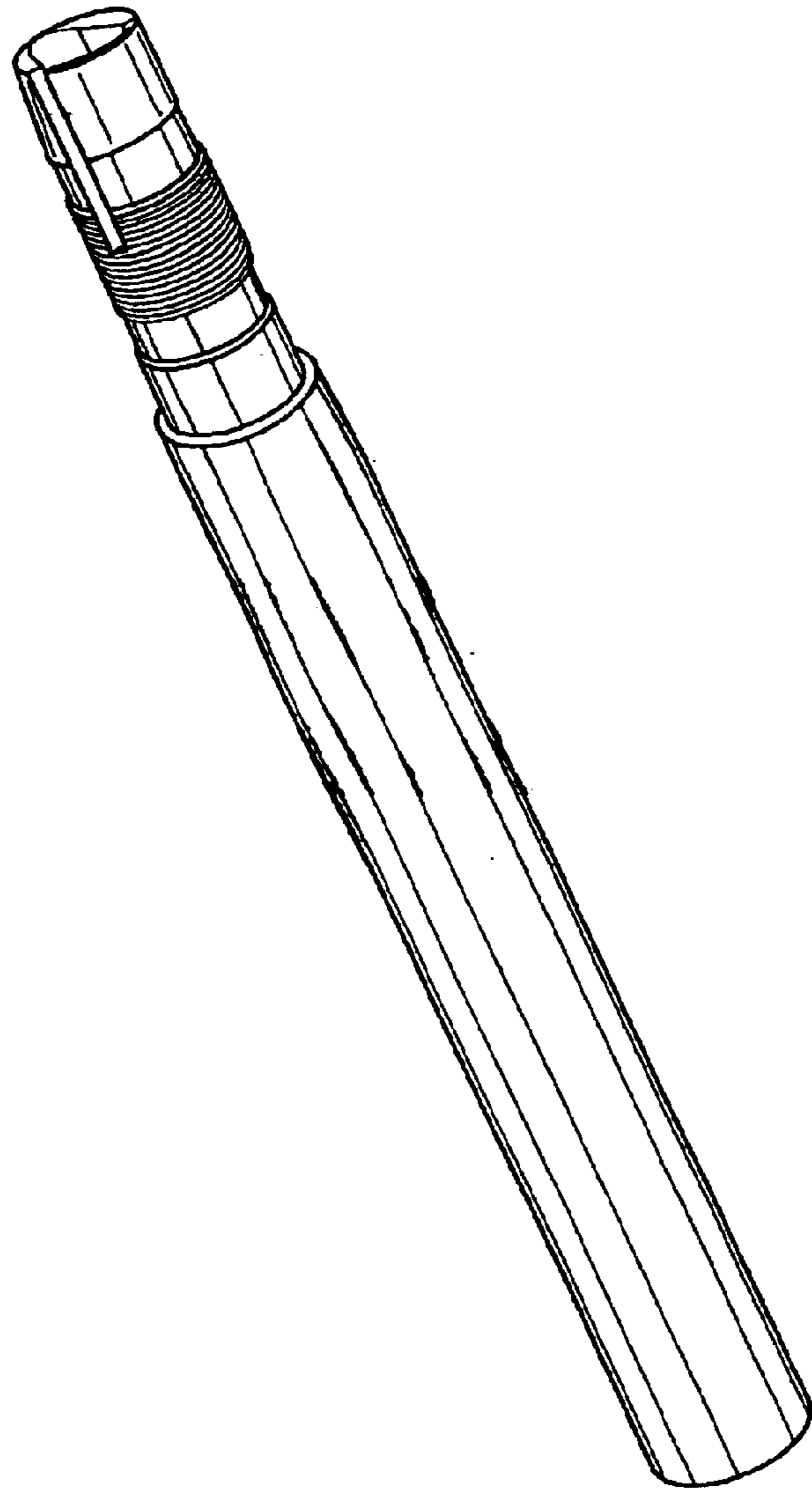


FIG.3

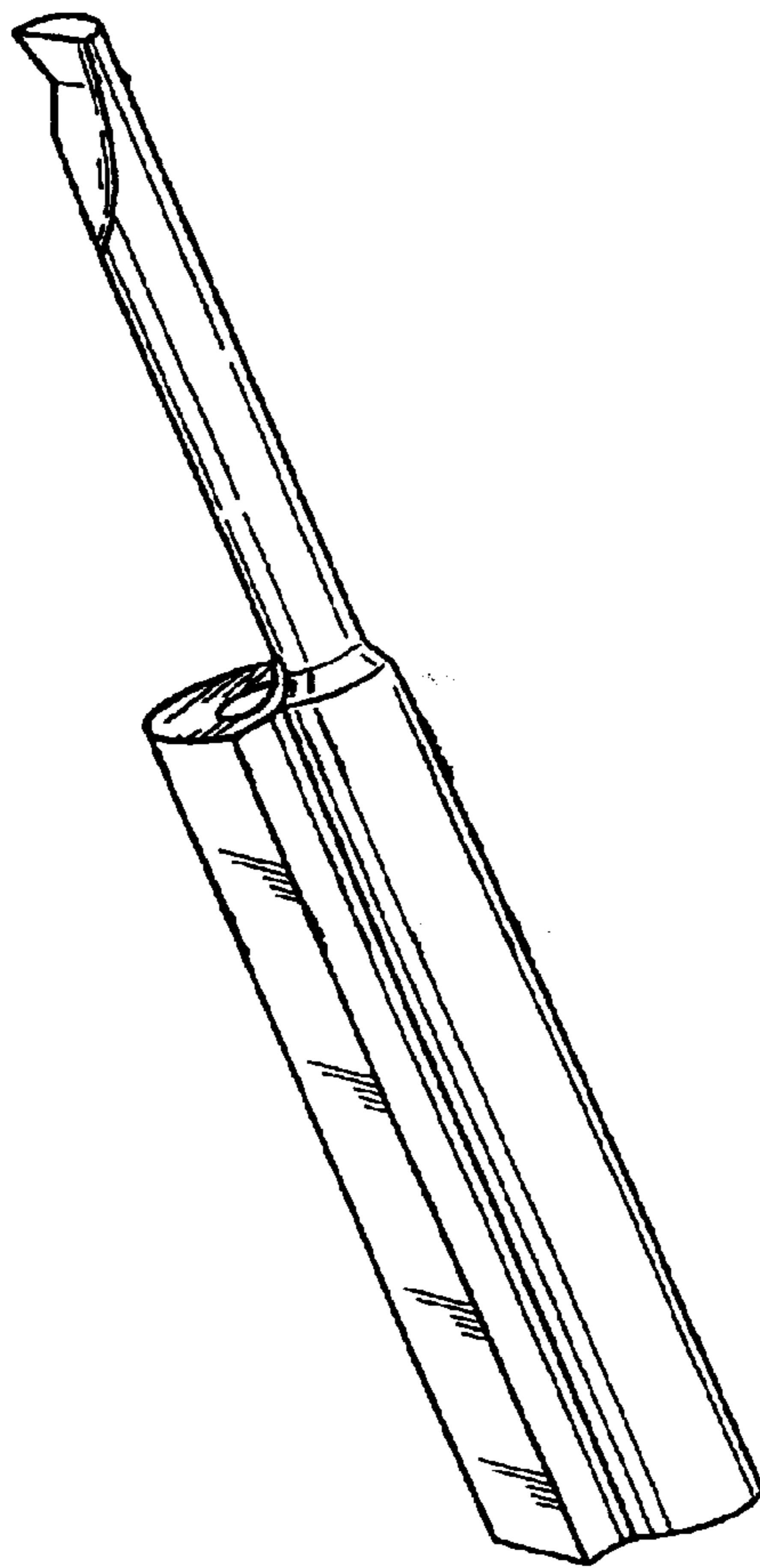


FIG.4