



US00D508506S

(12) **United States Design Patent**
Hulsey et al.

(10) **Patent No.: US D508,506 S**

(45) **Date of Patent: ** Aug. 16, 2005**

(54) **SCROLL SAW**

(75) Inventors: **Charles Hulsey**, Naperville, IL (US);
Matthew J. Oblak, Chicago, IL (US);
Timmy Hsiao, Taichung (TW); **Kun Chuan Hung**, Da Li (TW); **Mark Duennes**, Wheeling, IL (US); **Robert Monfeli**, Racine, WI (US)

(73) Assignee: **Credo Technology Corporation**,
Broadview, IL (US)

(**) Term: **14 Years**

(21) Appl. No.: **29/213,991**

(22) Filed: **Sep. 24, 2004**

(51) **LOC (8) Cl. 15-09**

(52) **U.S. Cl. D15/133**

(58) **Field of Search D15/133; 83/581,**
83/628, 630, 632, 781, 783, 784, 786, 699.1

(56) **References Cited**

U.S. PATENT DOCUMENTS

5,176,059 A	*	1/1993	Anderson	83/462
D350,968 S	*	9/1994	Chang	D15/133
D388,441 S	*	12/1997	Chung	D15/133
D392,984 S	*	3/1998	Armstrong	D15/133
D397,343 S	*	8/1998	Chen	D15/133
D402,671 S	*	12/1998	Welsh	D15/133
D417,227 S	*	11/1999	Lei	D15/133
D423,525 S	*	4/2000	Brazell et al.	D15/133

6,044,743 A	*	4/2000	O'Banion et al.	83/784
D429,260 S	*	8/2000	Ohi et al.	D15/133
6,267,038 B1	*	7/2001	O'Banion et al.	83/781
D446,228 S	*	8/2001	Hsu	D15/133
6,327,952 B1	*	12/2001	O'Banion et al.	83/784
D453,346 S	*	2/2002	Young	D15/133
6,363,822 B2	*	4/2002	Lei	83/58
6,474,211 B1	*	11/2002	Lin	83/783
6,729,221 B2	*	5/2004	Liao et al.	83/781

* cited by examiner

Primary Examiner—Antoine D. Davis

(74) *Attorney, Agent, or Firm*—Victor A. Henzi

(57) **CLAIM**

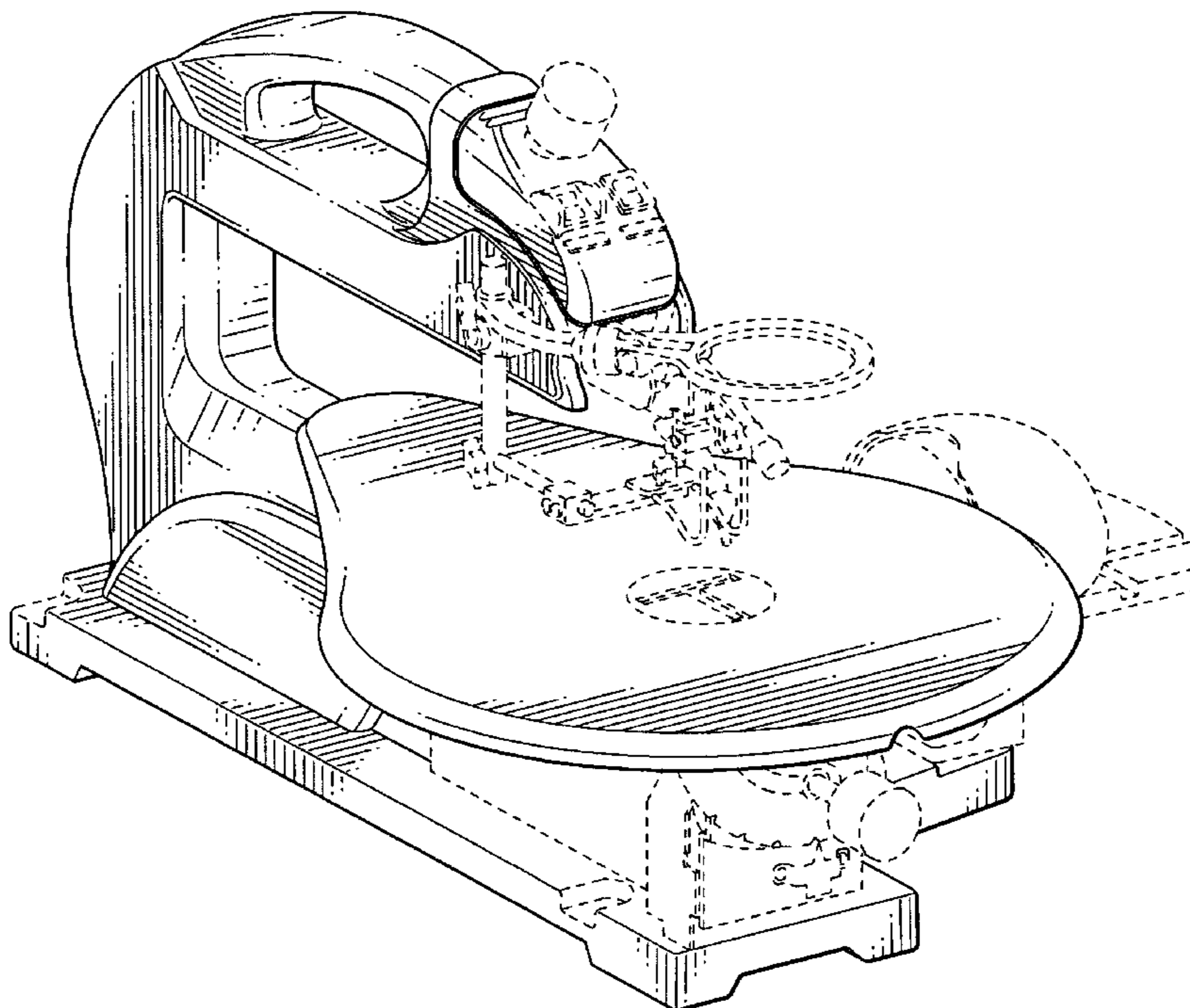
The ornamental design for a scroll saw, as shown and described.

DESCRIPTION

FIG. 1 is a front right perspective view of the present new design for a scroll saw;
FIG. 2 is a right elevational view thereof;
FIG. 3 is a left elevational view thereof;
FIG. 4 is a rear elevational view thereof;
FIG. 5 is a front elevational view thereof;
FIG. 6 is a top plan view thereof; and,
FIG. 7 is a bottom plan view thereof.

The broken lines showing various features of a scroll saw are for illustrative purposes only and form no part of the claimed design.

1 Claim, 7 Drawing Sheets



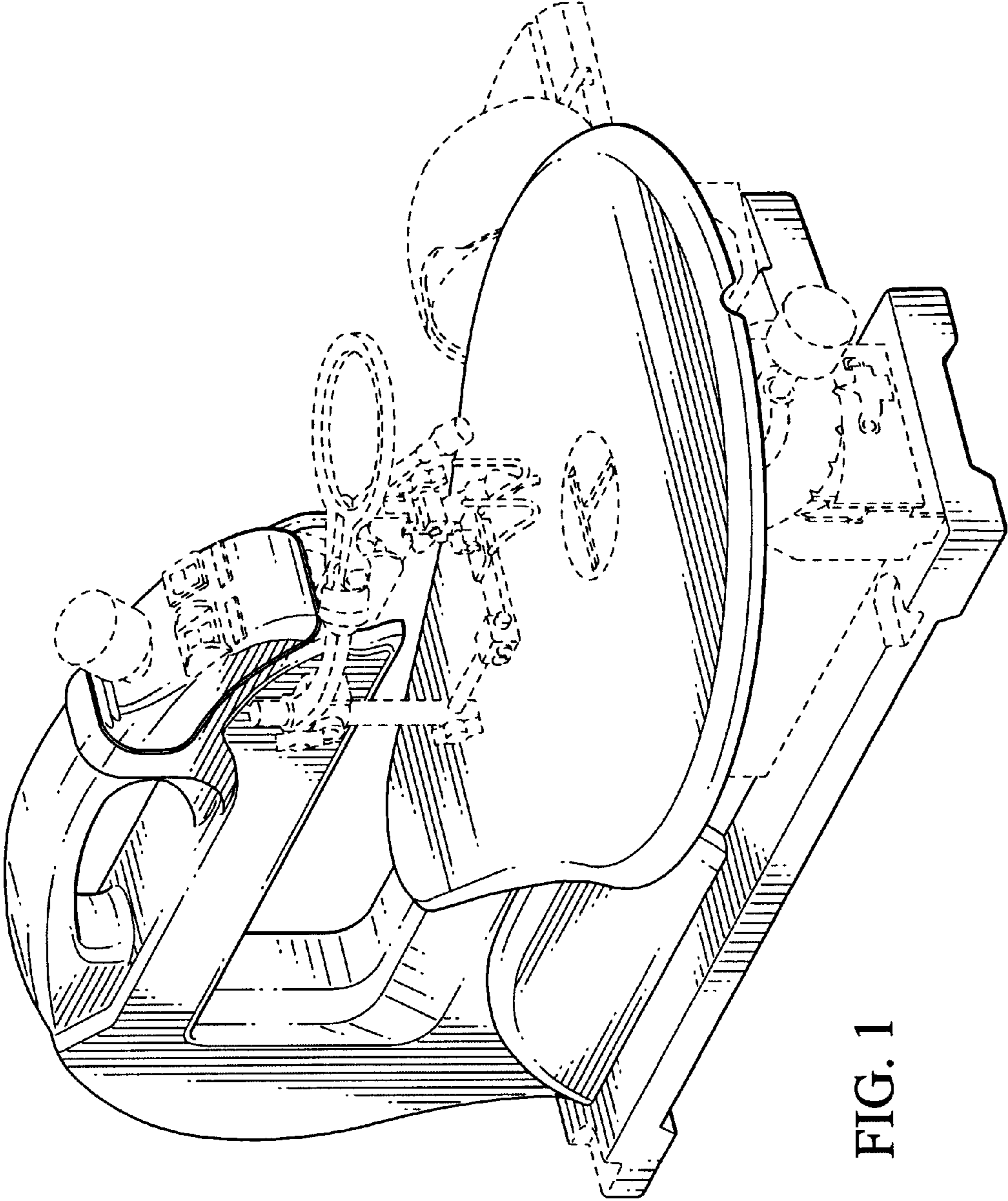


FIG. 1

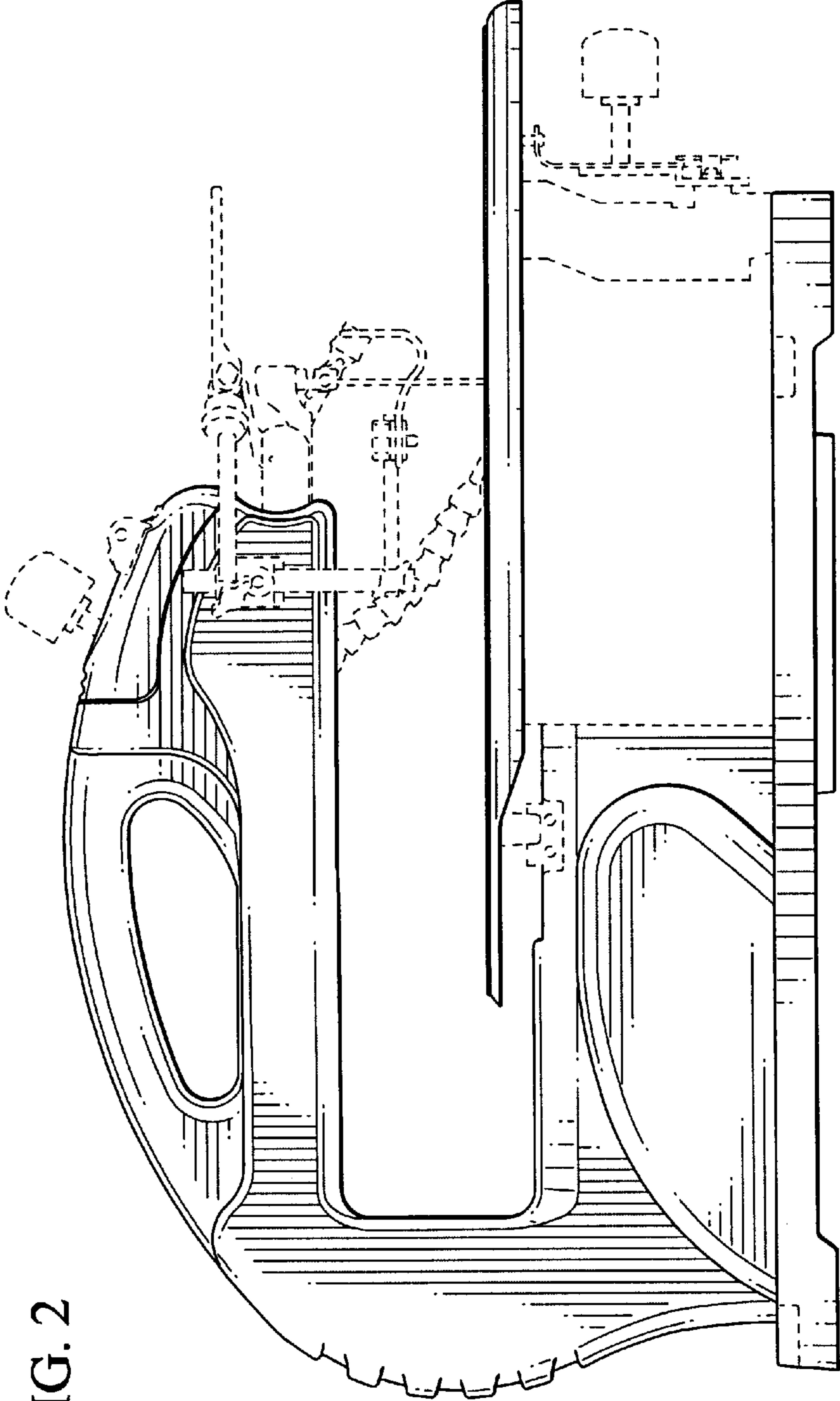
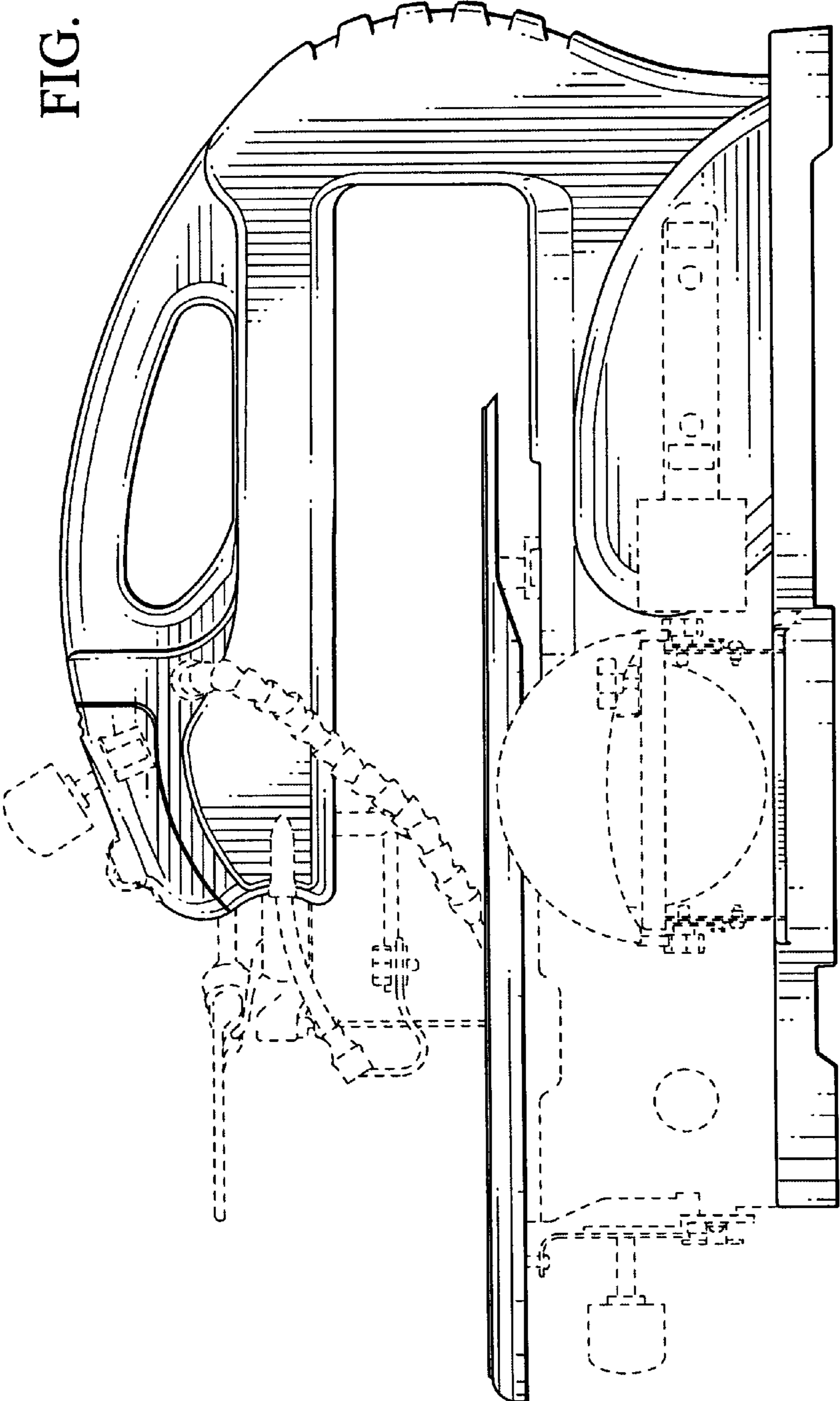


FIG. 2

FIG. 3



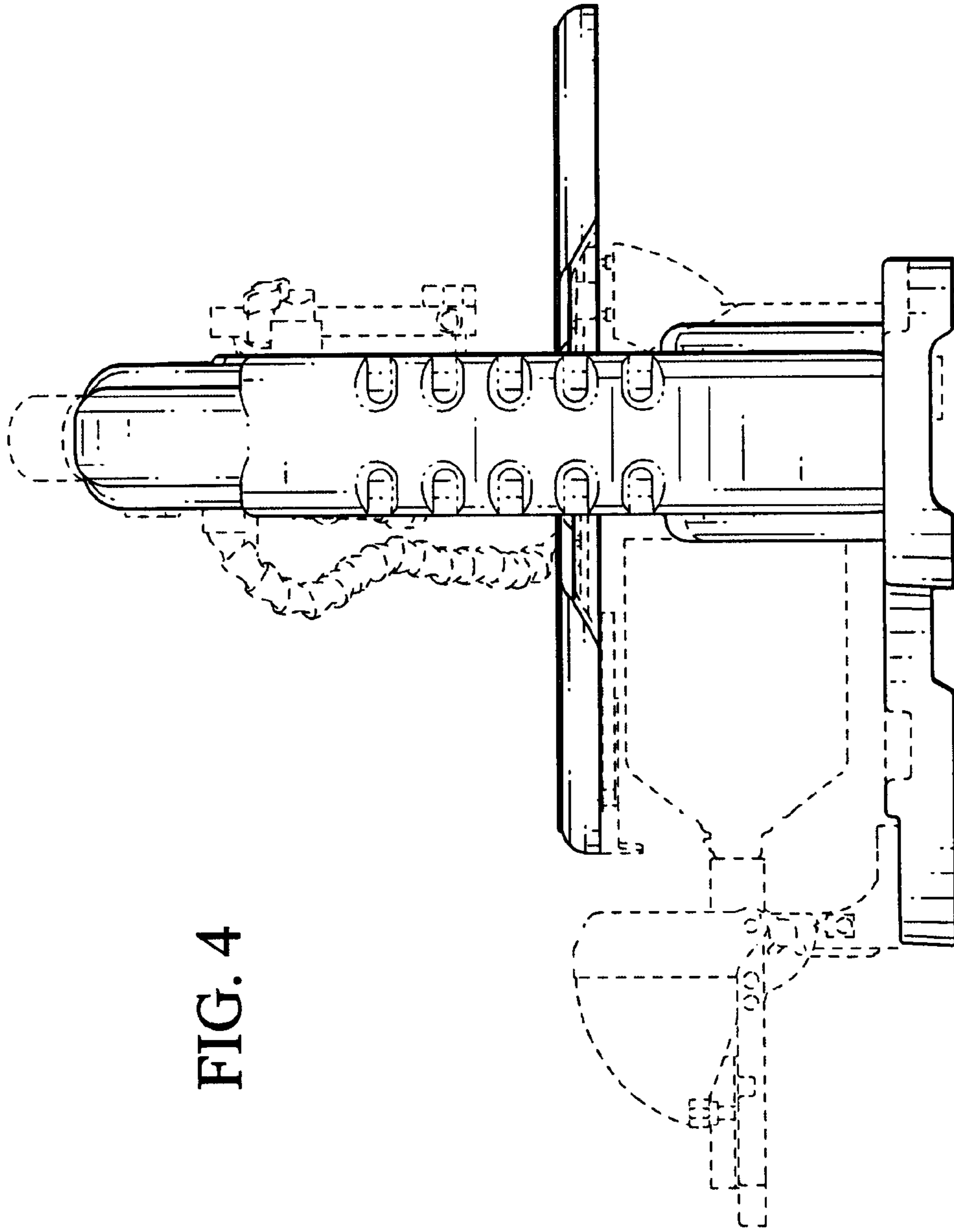
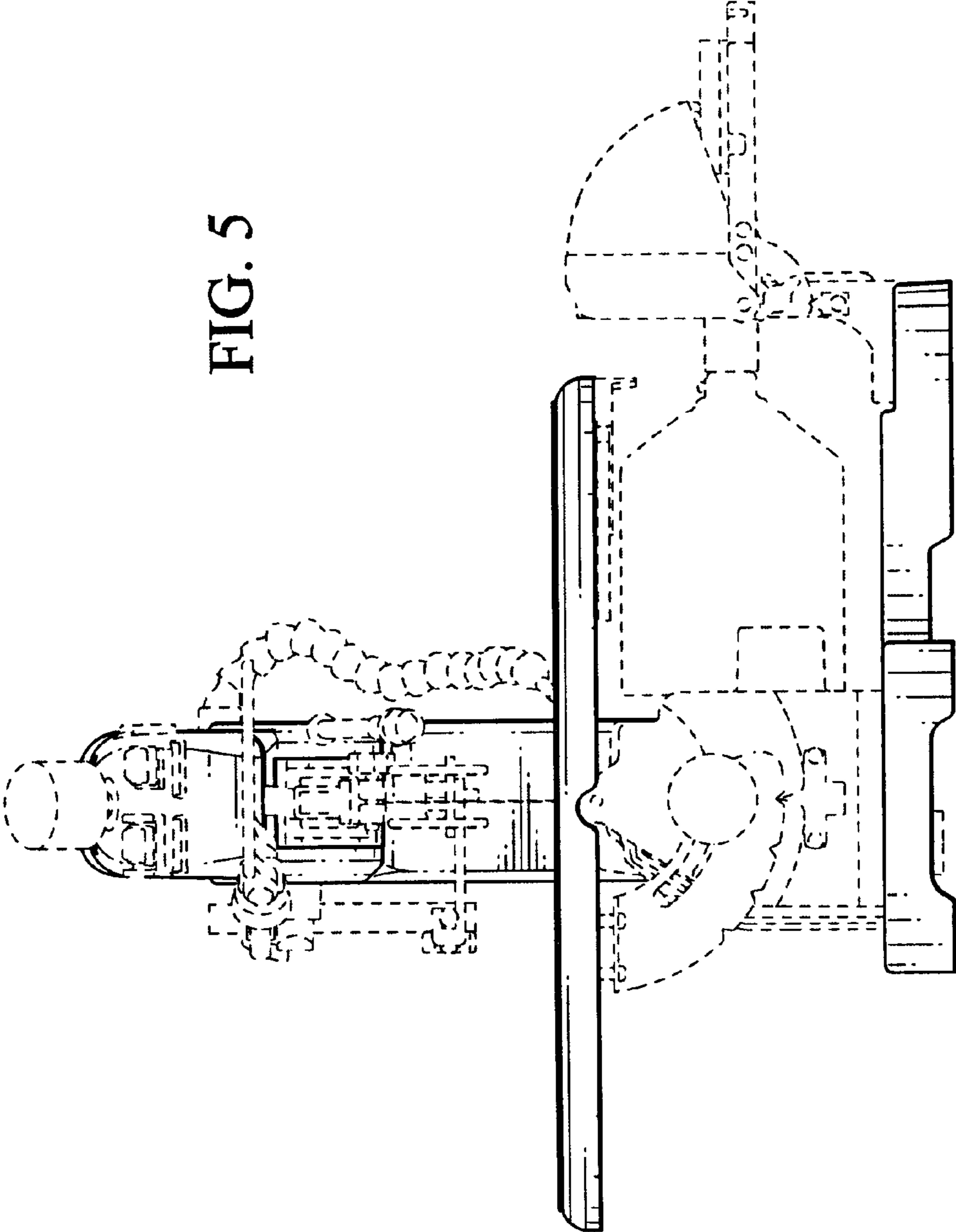


FIG. 4

FIG. 5



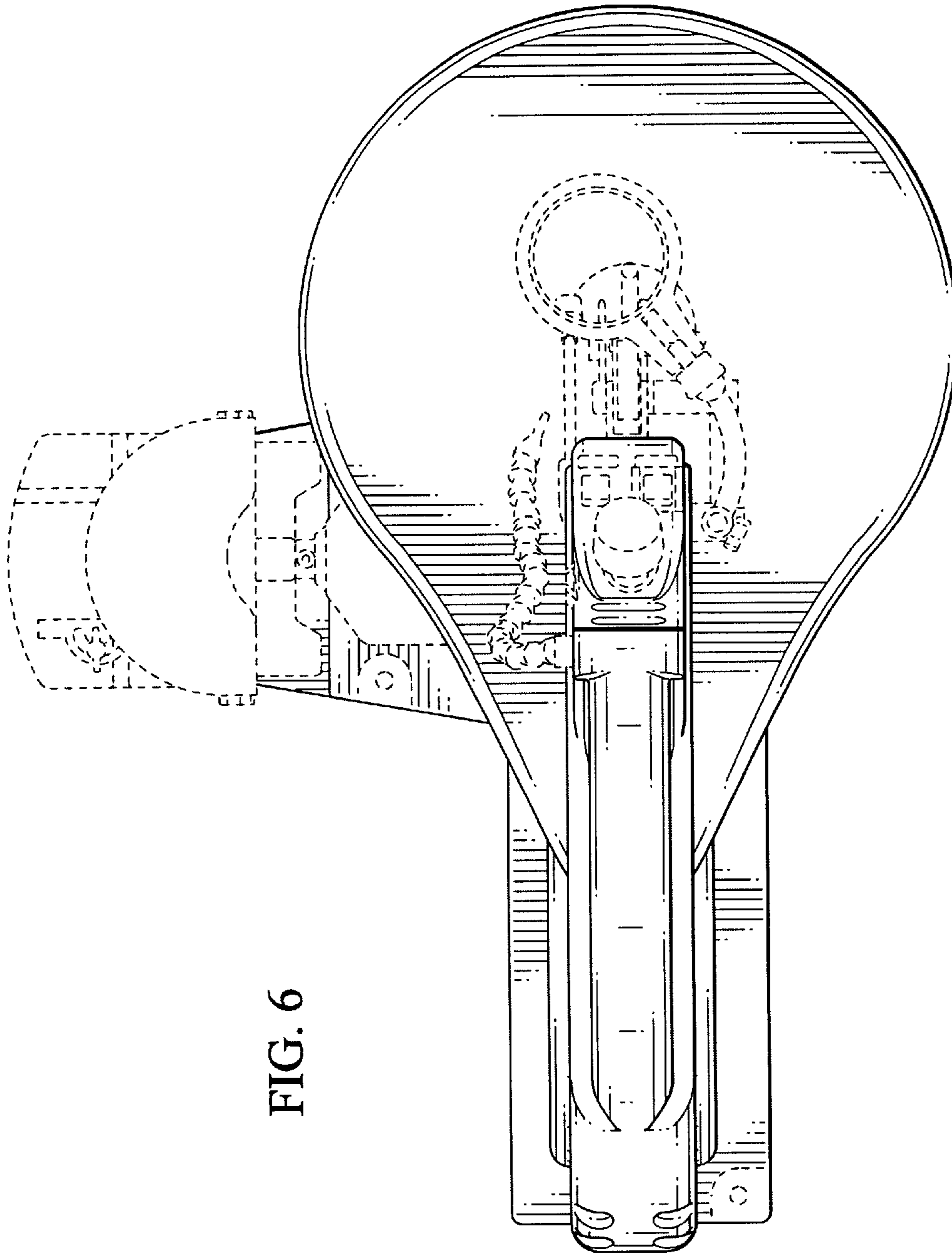


FIG. 6

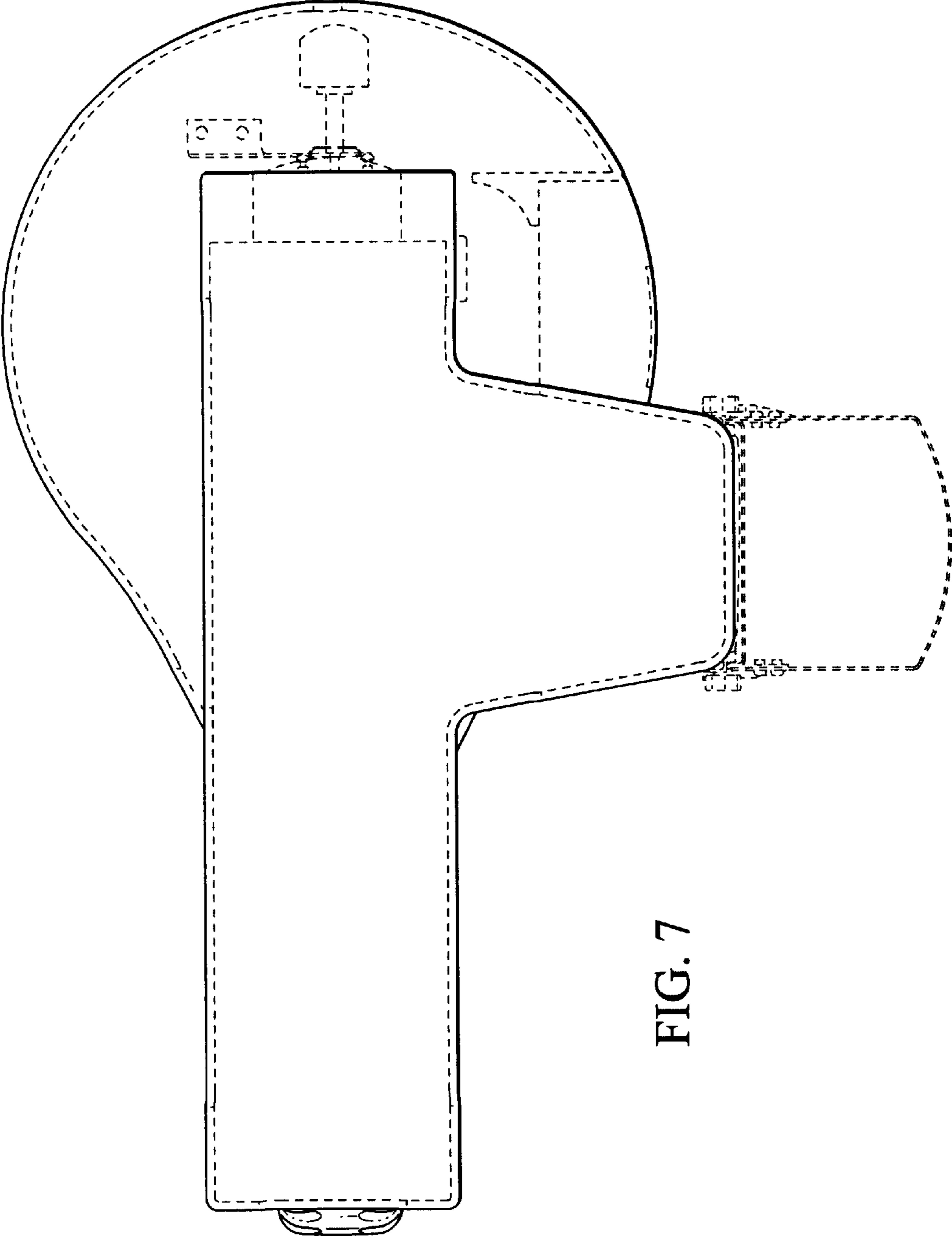


FIG. 7