

US00D508505S

(12) **United States Design Patent**  
**Thysell**

(10) **Patent No.:** **US D508,505 S**

(45) **Date of Patent:** **\*\* Aug. 16, 2005**

(54) **GRINDING TOOL**

(75) **Inventor:** **Håkan Thysell, Söderköping (SE)**

(73) **Assignee:** **HTC Sweden AB (SE)**

(\*\*) **Term:** **14 Years**

(21) **Appl. No.:** **29/208,837**

(22) **Filed:** **Jul. 6, 2004**

(51) **LOC (8) Cl.** ..... **15-09**

(52) **U.S. Cl.** ..... **D15/126**

(58) **Field of Search** ..... **D15/126; 451/47,**  
**451/56, 324, 443, 541, 547, 548-551**

(56) **References Cited**

**U.S. PATENT DOCUMENTS**

D486,839 S \* 2/2004 Sunagawa et al. .... D15/126

D494,196 S \* 8/2004 Jeong ..... D15/126

D498,486 S \* 11/2004 Eisenblaetter ..... D15/126

\* cited by examiner

*Primary Examiner*—Antoine D. Davis

(74) *Attorney, Agent, or Firm*—Moore & Van Allen PLLC;  
Michael G. Johnston

(57) **CLAIM**

The ornamental design for a grinding tool, as shown and described.

**DESCRIPTION**

FIG. 1 is a perspective view of a grinding tool showing my new design.

FIG. 2 is a top plan view of the grinding tool shown in FIG. 1 showing my new design.

FIG. 3 is a bottom plan view of the grinding tool shown in FIG. 1 showing my new design.

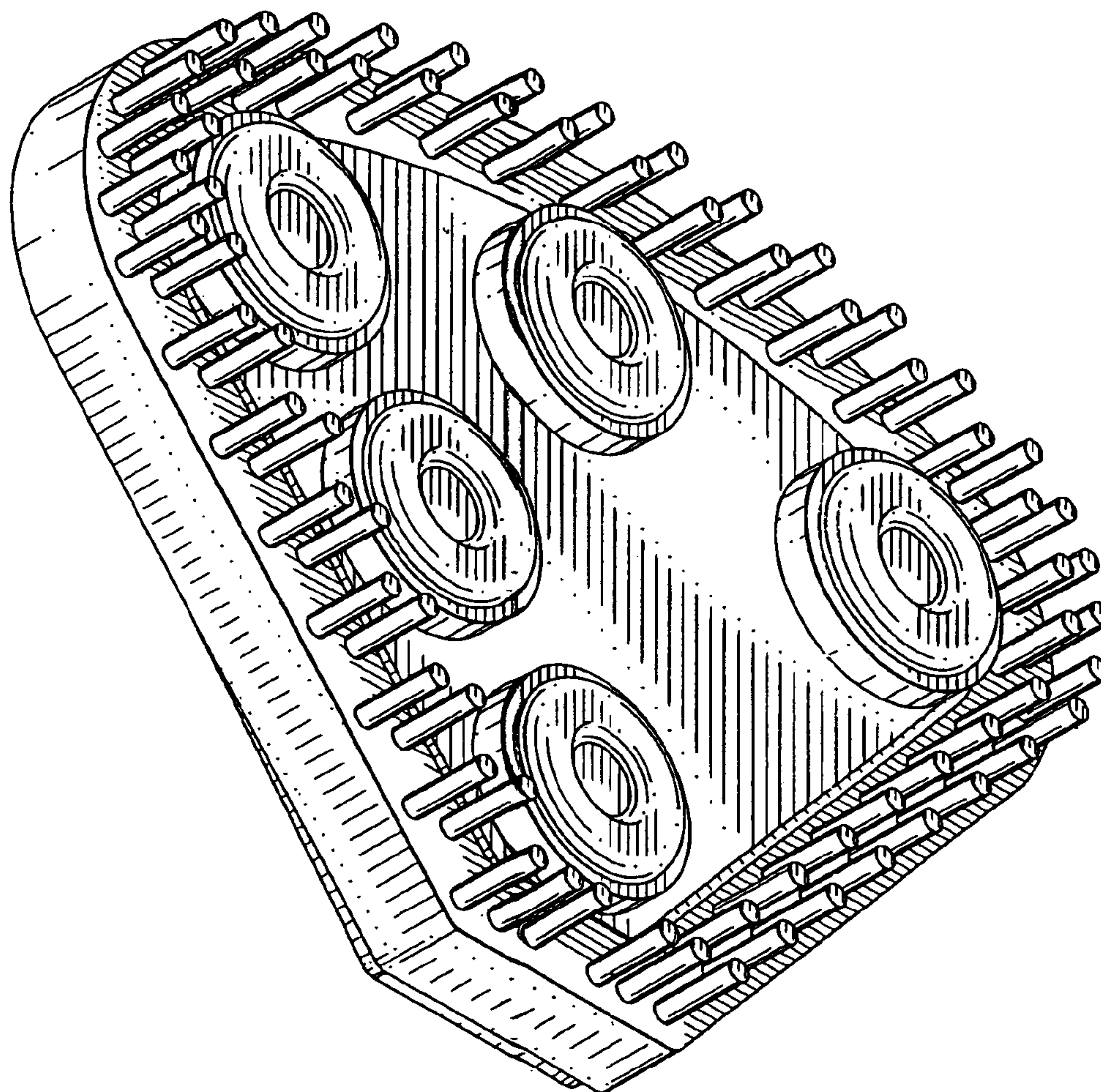
FIG. 4 is a front elevation view of the grinding tool shown in FIG. 1 showing my new design.

FIG. 5 is a rear elevation view of the grinding tool shown in FIG. 1 showing my new design.

FIG. 6 is a right side view of the grinding tool shown in FIG. 1 showing my new design; and,

FIG. 7 is a left side view of the grinding tool shown in FIG. 1 showing my new design.

**1 Claim, 5 Drawing Sheets**



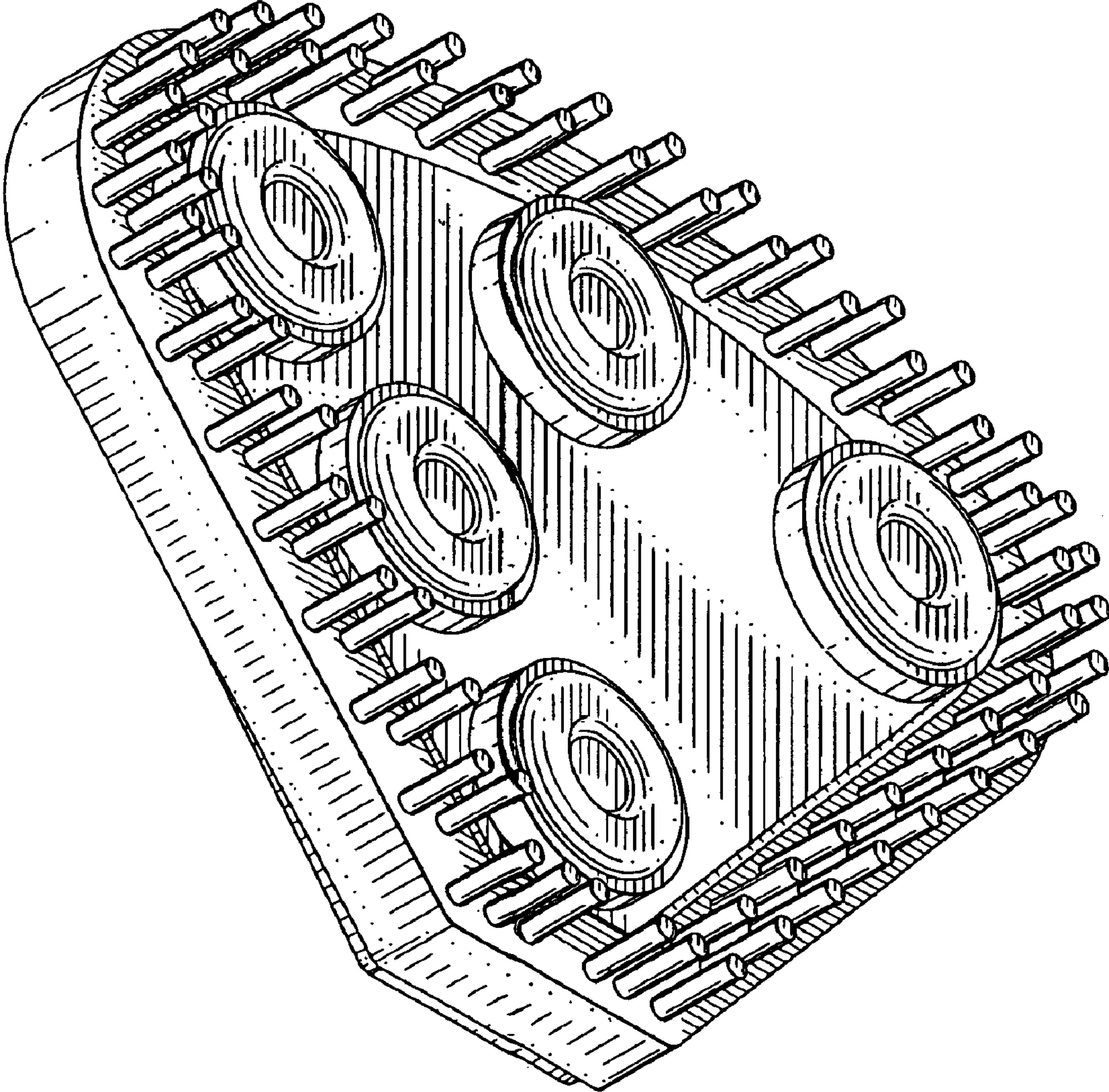


FIG. 1



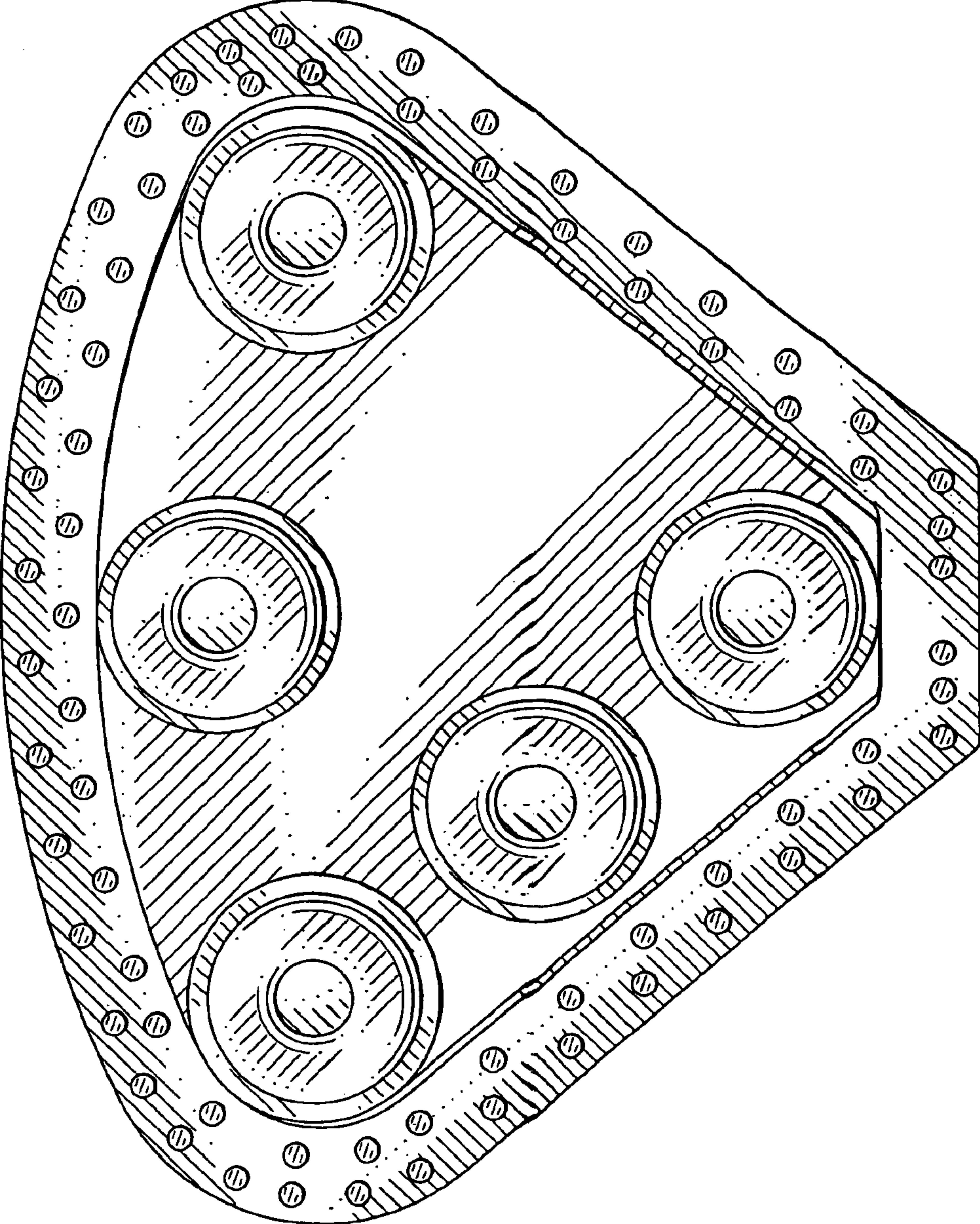


FIG. 2

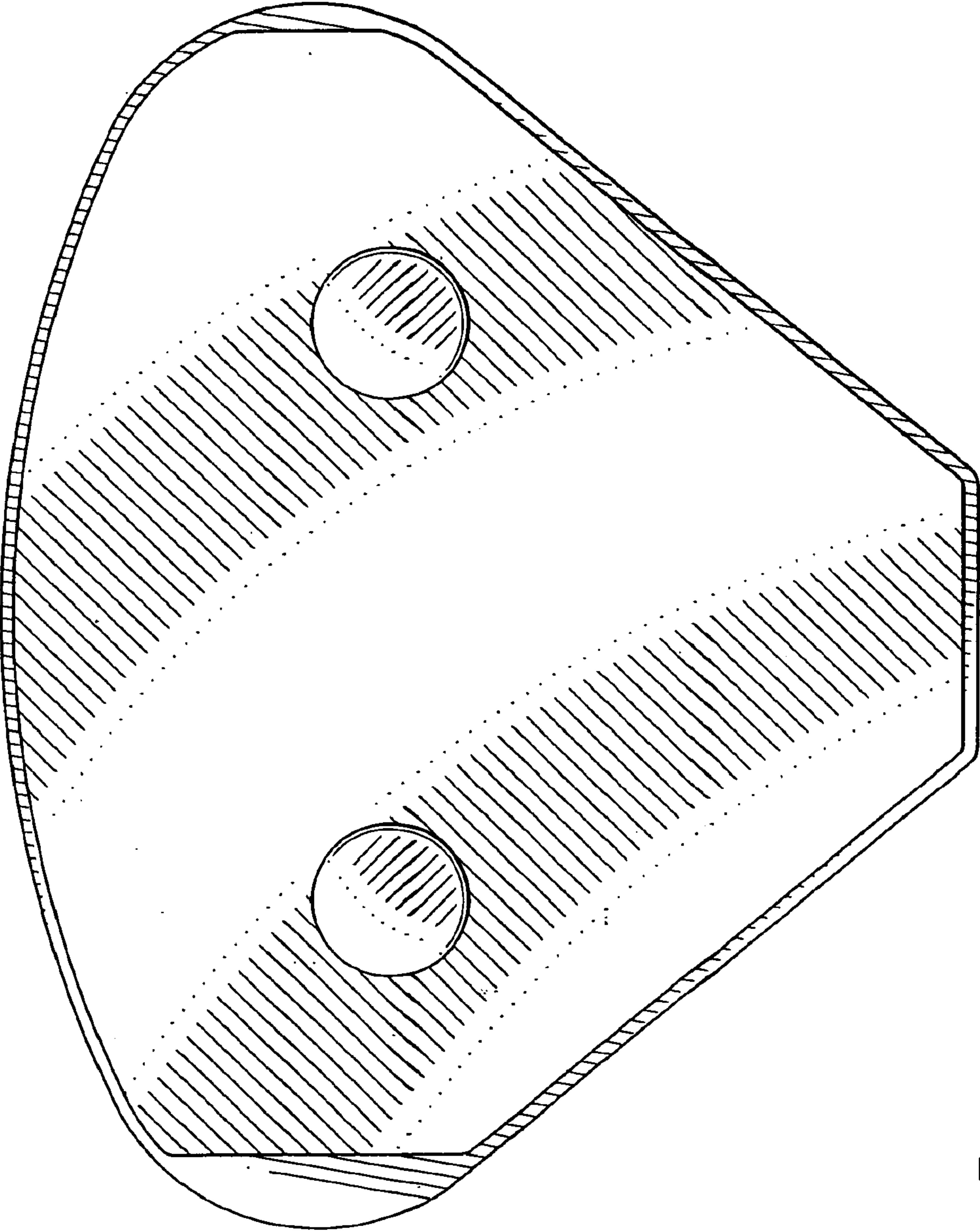


FIG. 3

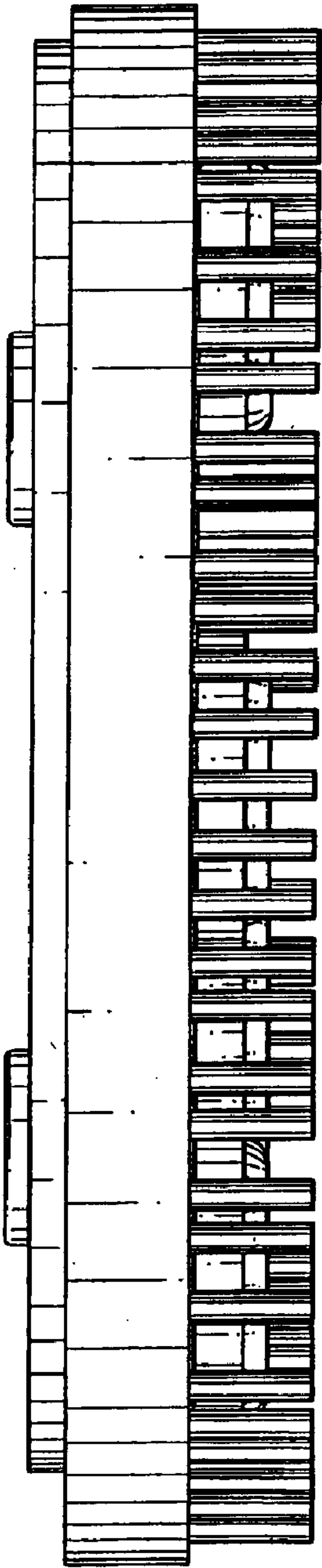


FIG. 4

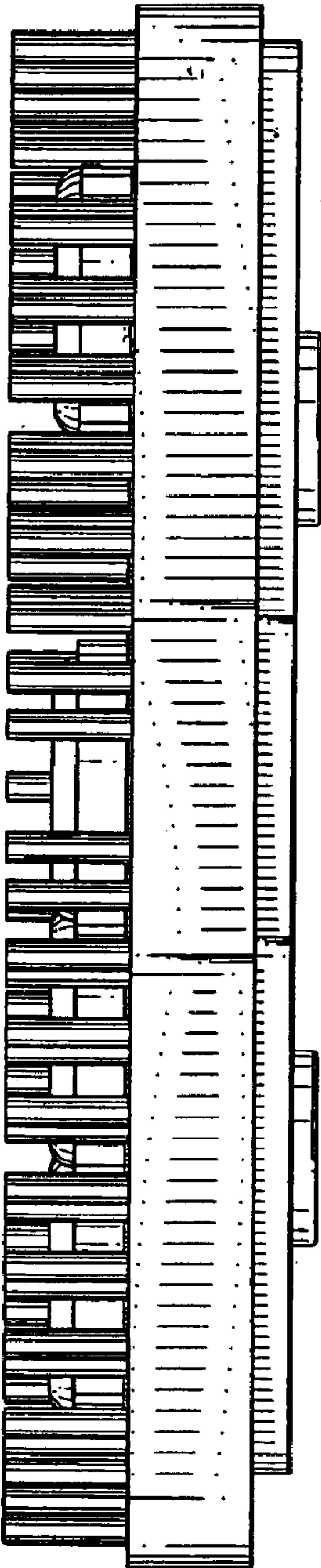


FIG. 5

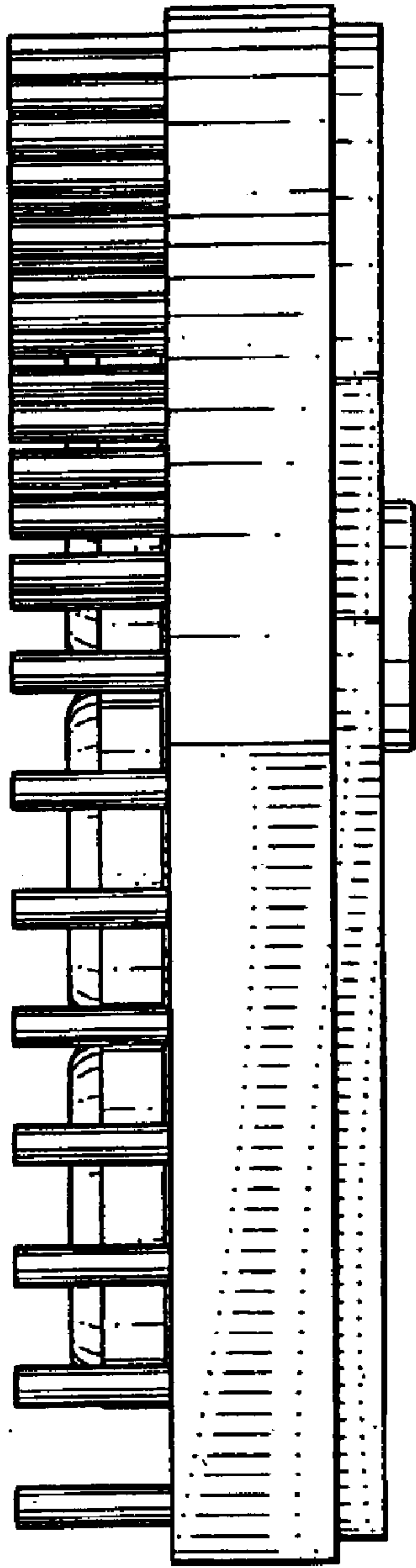


FIG. 6

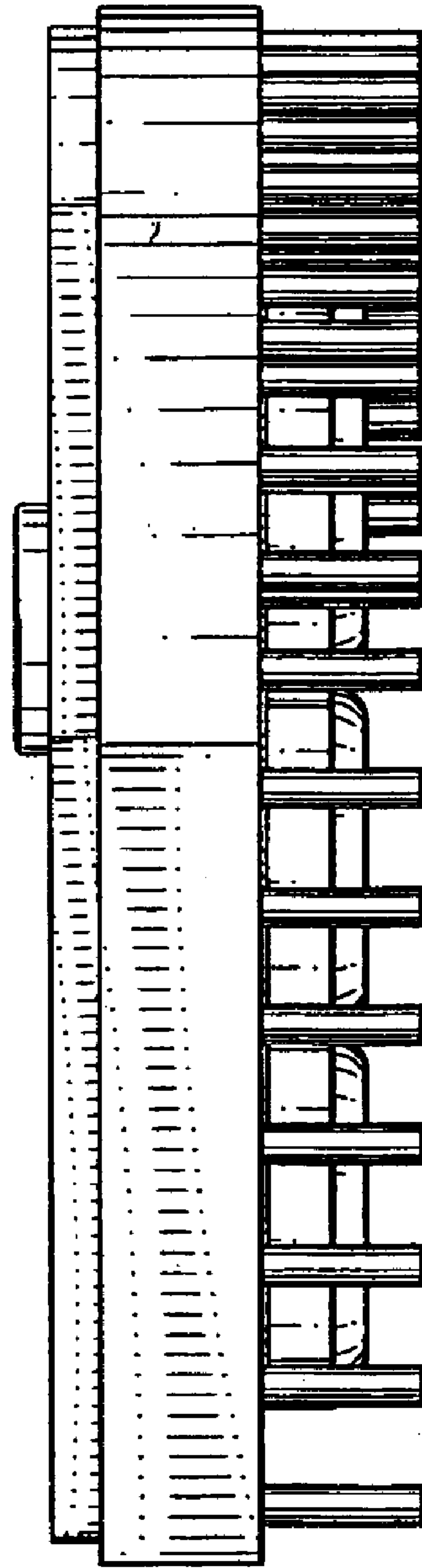


FIG. 7