

US00D508501S

(12) **United States Design Patent**
Kawaguchi

(10) **Patent No.:** **US D508,501 S**

(45) **Date of Patent:** **** Aug. 16, 2005**

(54) **PRESSER FOOT FOR SEWING MACHINE**

(75) **Inventor:** **Shinichi Kawaguchi, Tokyo (JP)**

(73) **Assignee:** **Kawaguchi Co., Ltd., Tokyo (JP)**

(**) **Term:** **14 Years**

(21) **Appl. No.:** **29/218,646**

(22) **Filed:** **Dec. 7, 2004**

(30) **Foreign Application Priority Data**

Aug. 10, 2004 (JP) 2004-024094

(51) **LOC (8) Cl.** **15-06**

(52) **U.S. Cl.** **D15/78; D15/72**

(58) **Field of Search** **D15/72, 78; 112/226,**
112/270, 235-240, 259-261; 225/83; 451/432

(56) **References Cited**

U.S. PATENT DOCUMENTS

31,646 A *	3/1861	Moulson	112/235
131,256 A *	9/1872	Decker	112/240
954,990 A *	4/1910	Noble	112/235
2,355,700 A *	8/1944	Blewett	112/236
2,533,746 A *	12/1950	Stuster	112/236
2,534,651 A *	12/1950	Abos et al.	112/236
3,089,447 A *	5/1963	Shuman	112/235
3,759,202 A *	9/1973	Jean-Blanc	112/239

4,403,561 A * 9/1983 Schaeffern et al. 112/237

* cited by examiner

Primary Examiner—Stella Reid

Assistant Examiner—Shanda C. Hill

(74) *Attorney, Agent, or Firm*—Wenderoth, Lind & Ponack, L.L.P.

(57) **CLAIM**

The ornamental design for a presser foot for sewing machine, as shown and described.

DESCRIPTION

FIG. 1 is a perspective view of a presser foot for sewing machine, showing my new design;
 FIG. 2 is a front elevational view thereof;
 FIG. 3 is a rear elevational view thereof;
 FIG. 4 is a top plan view thereof;
 FIG. 5 is a bottom plan view thereof;
 FIG. 6 is a left side elevational view thereof;
 FIG. 7 is a right side elevational view thereof;
 FIG. 8 is a cross sectional view thereof, taken along line 8—8 of FIG. 4; and,
 FIG. 9 is a perspective view thereof, in use condition.
 The broken line shown is for illustrative purposes only and forms no part of the claimed design.

1 Claim, 3 Drawing Sheets

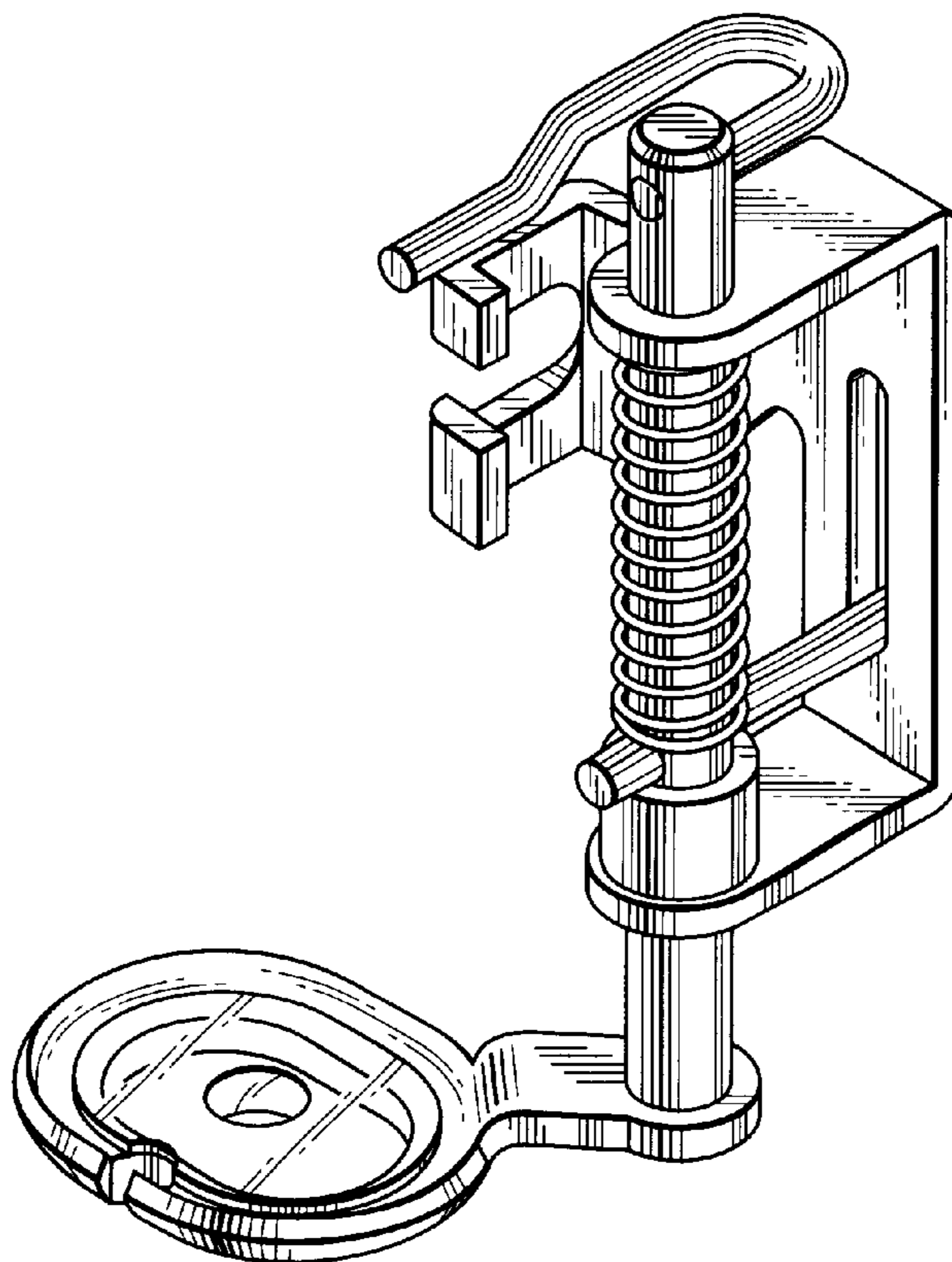


FIG.1

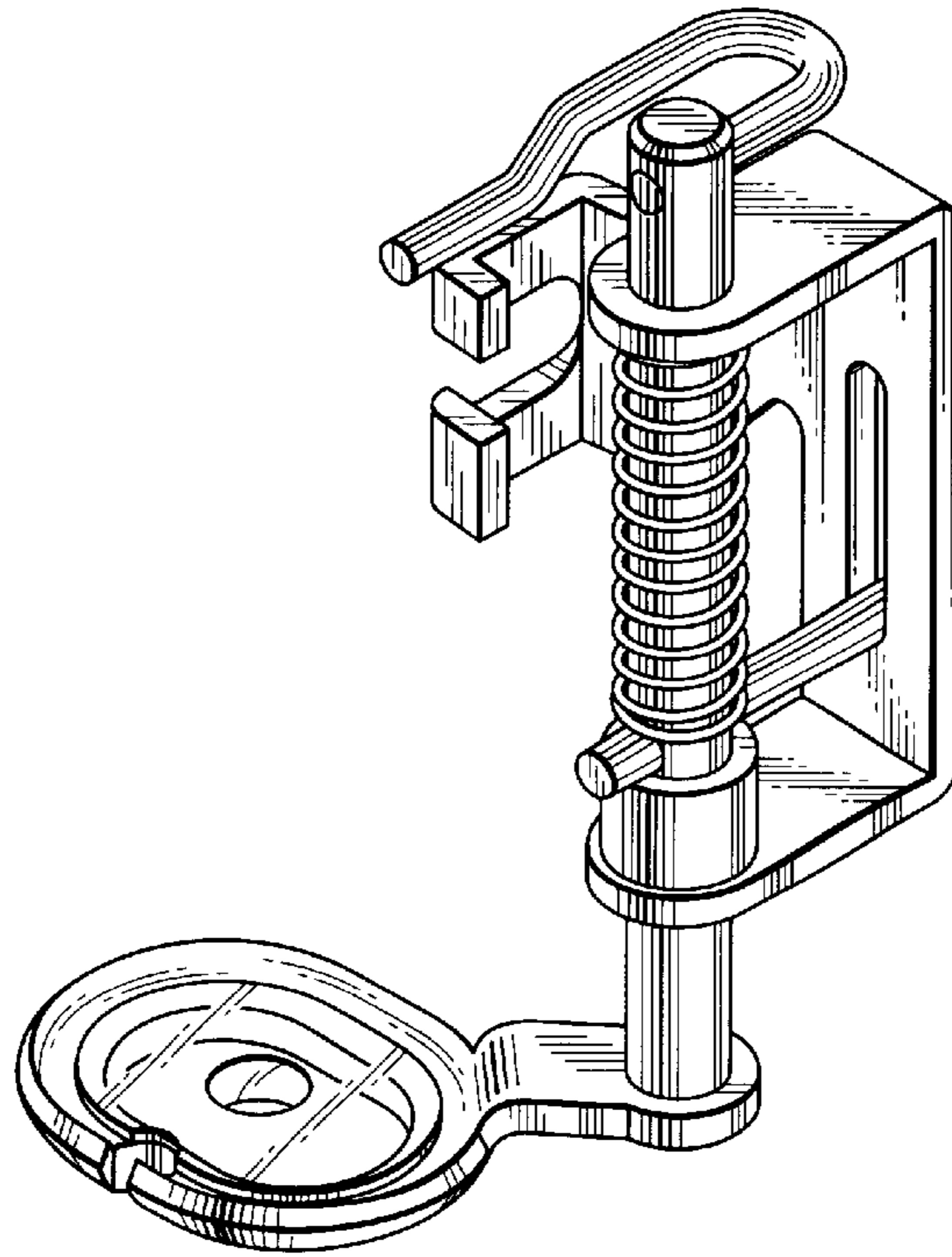


FIG.2

FIG.3

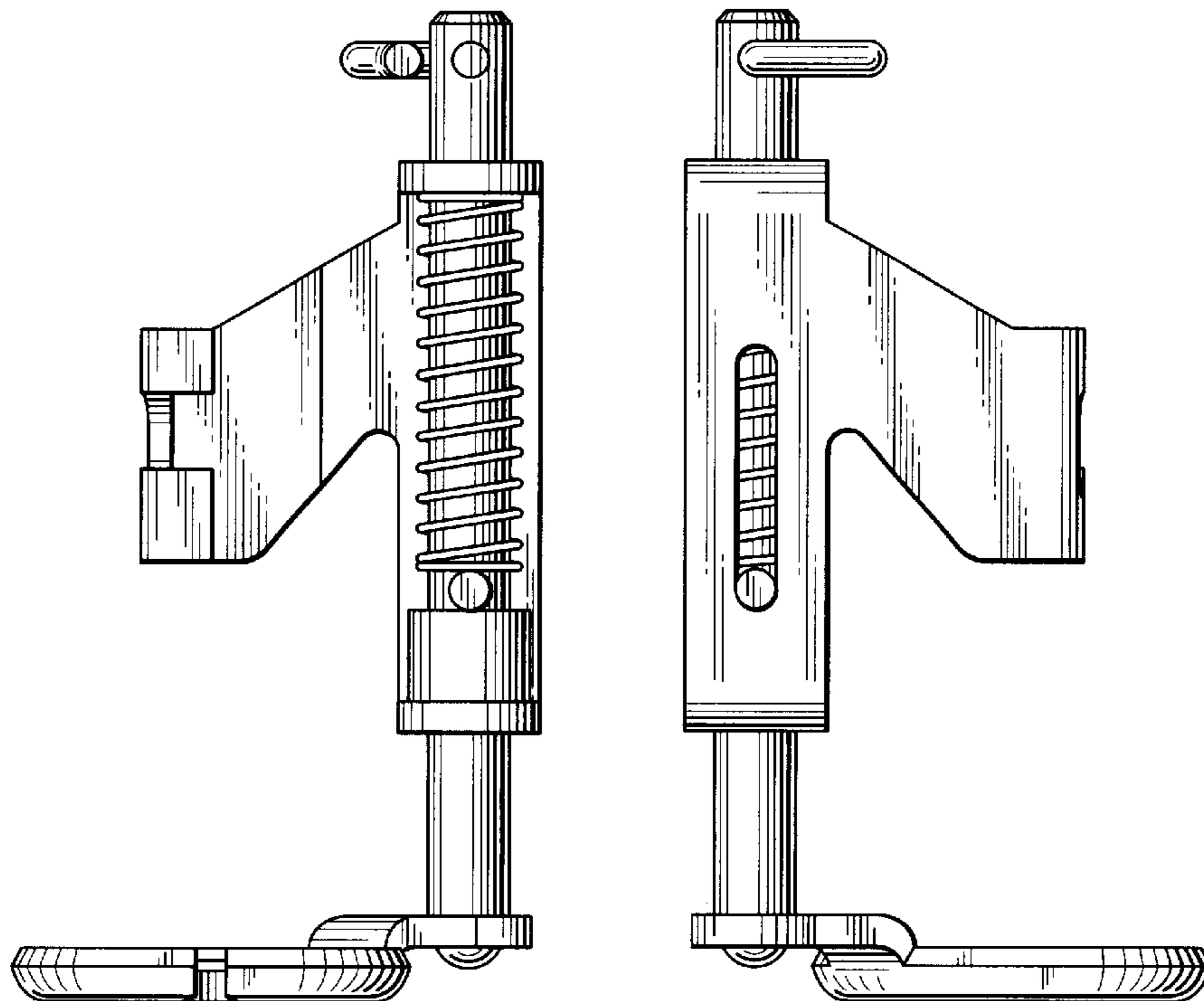


FIG.4

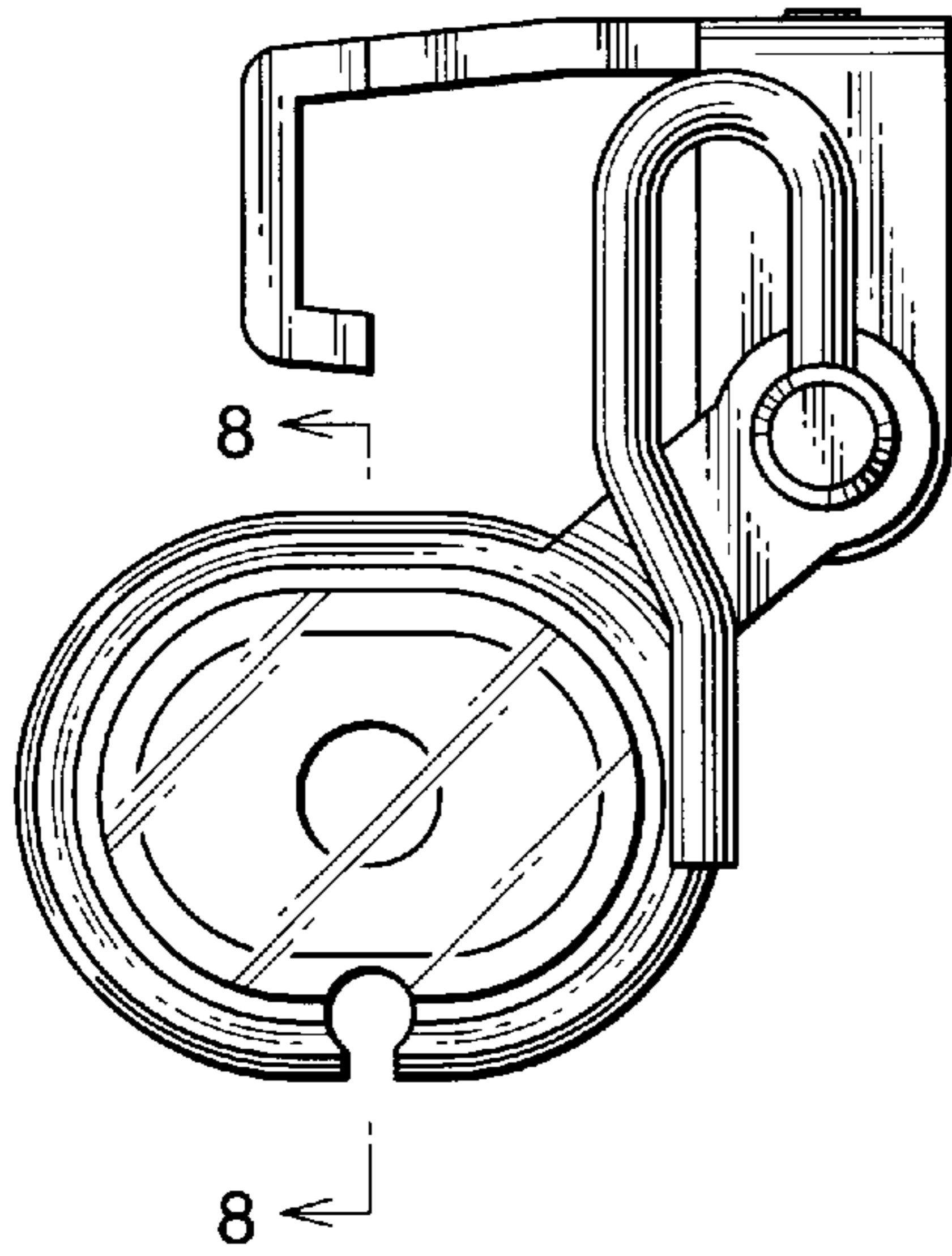


FIG.5

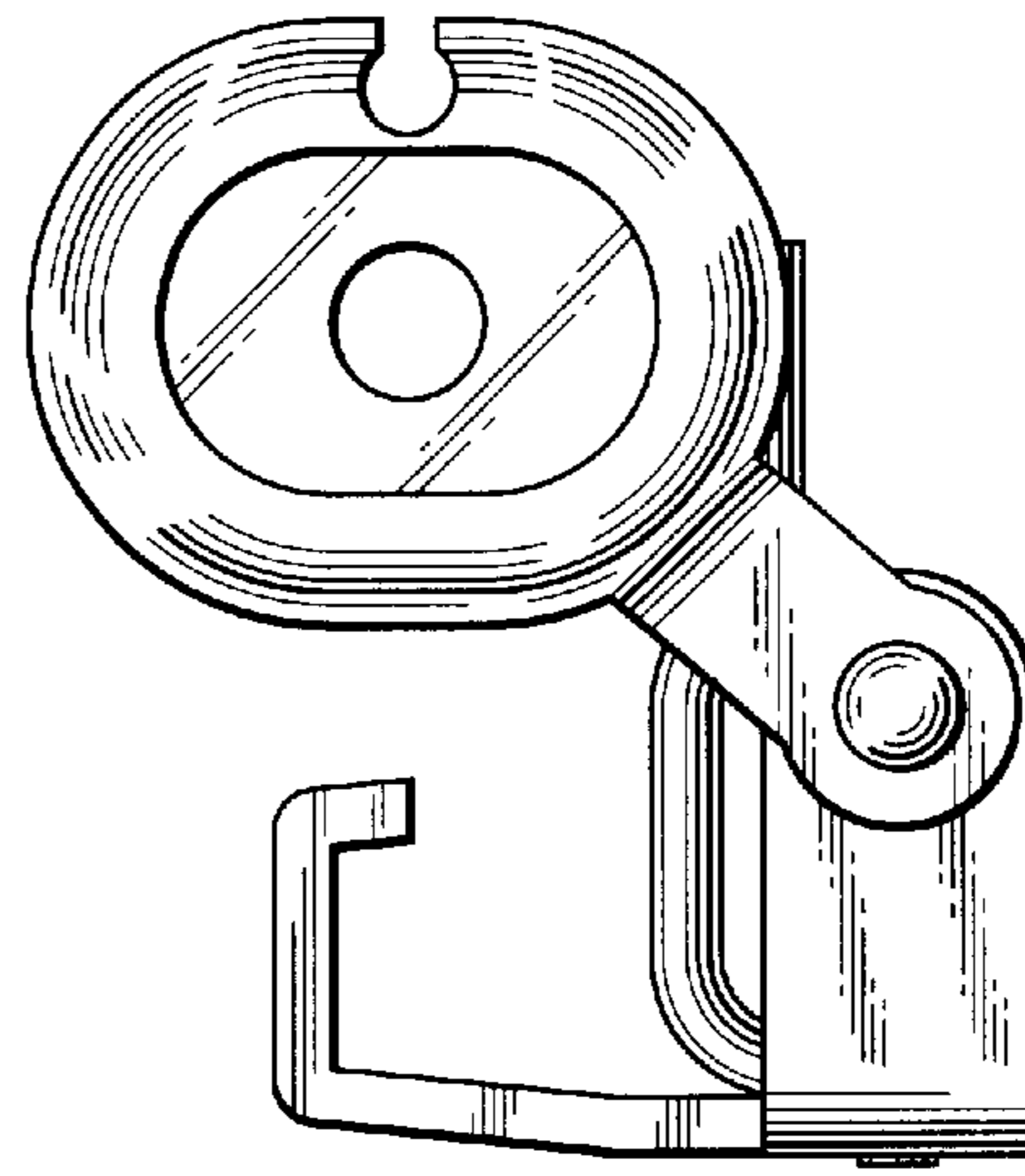


FIG.6

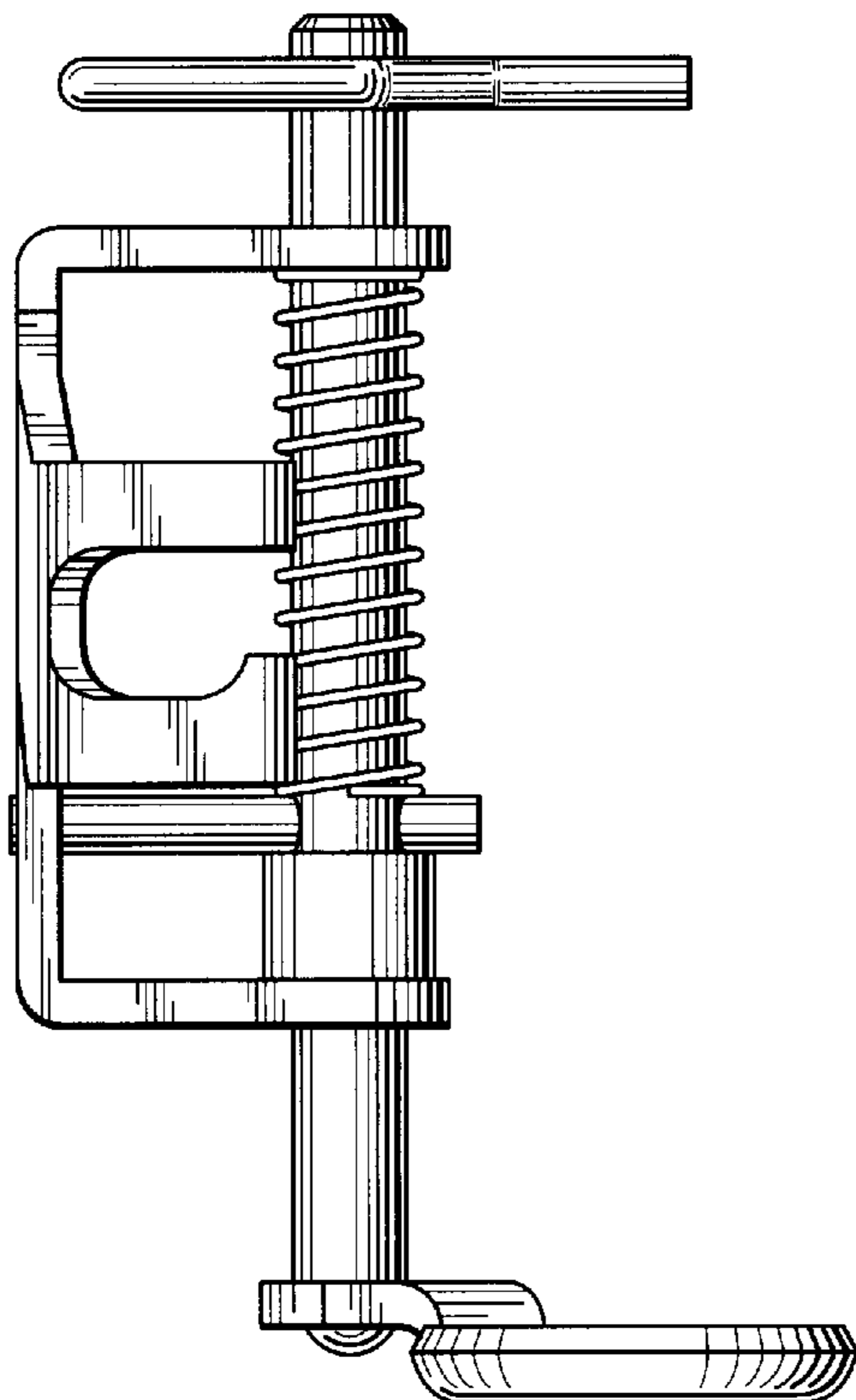


FIG.7

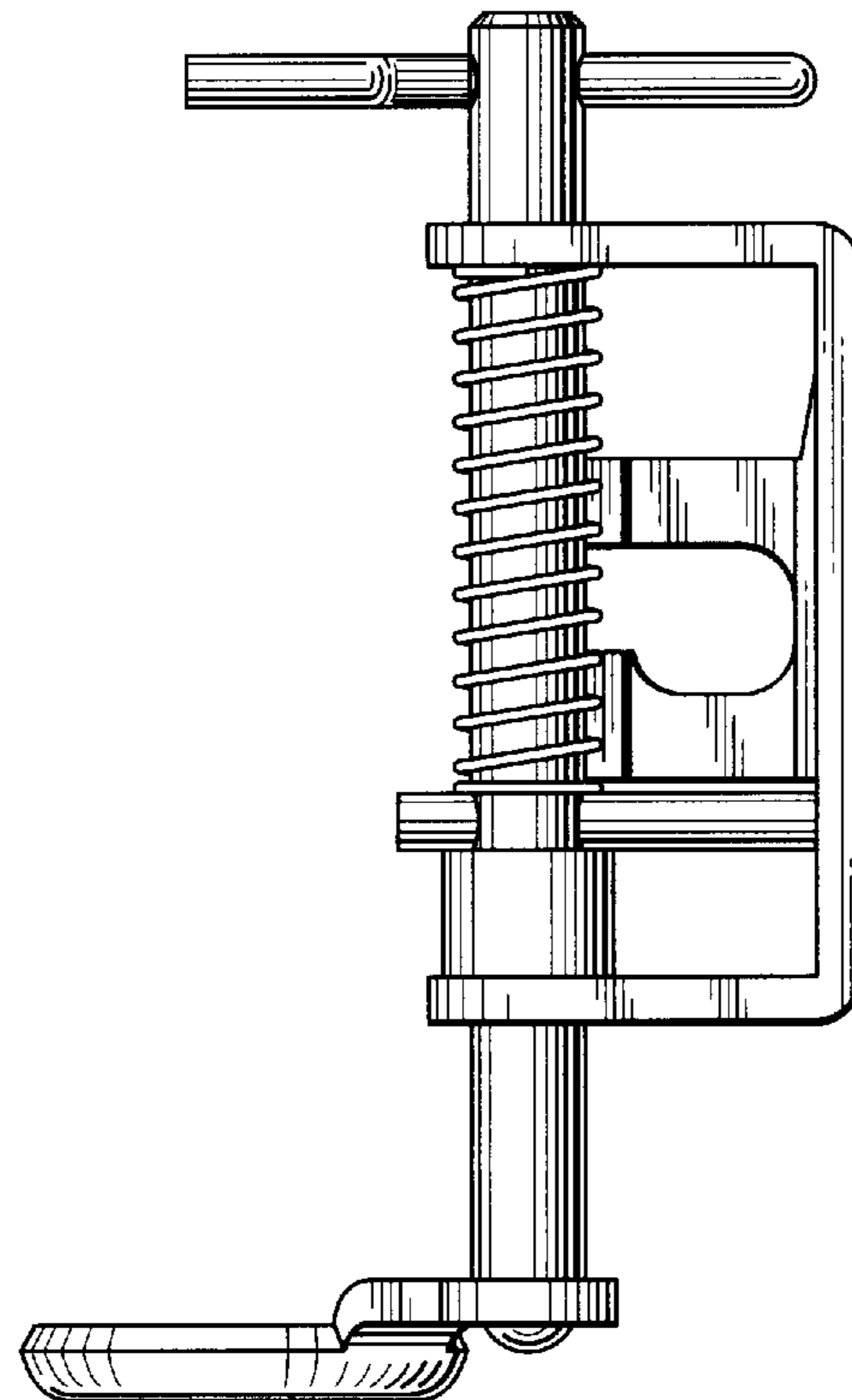


FIG.8

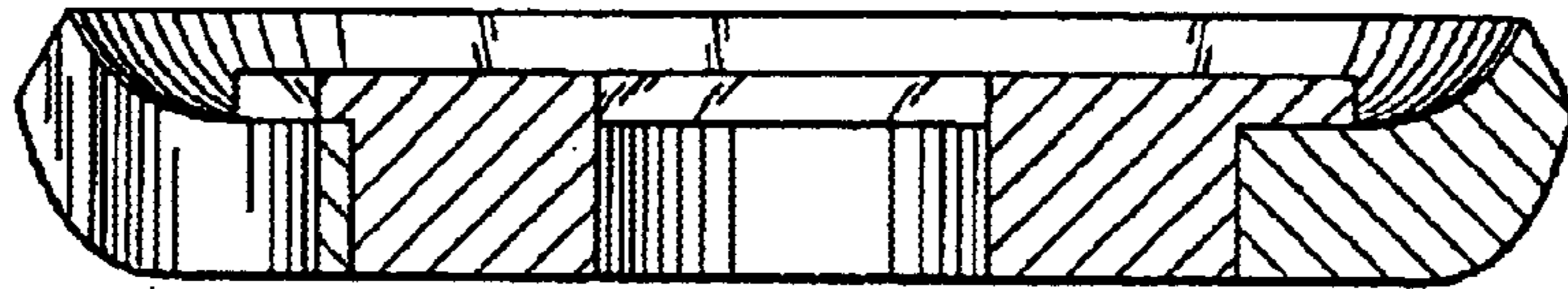


FIG.9

