

US00D508500S

(12) **United States Design Patent**  
**Kawaguchi**

(10) **Patent No.: US D508,500 S**

(45) **Date of Patent: \*\* Aug. 16, 2005**

(54) **SEWING MACHINE**

(75) **Inventor: Kiyomi Kawaguchi, Tokyo (JP)**

(73) **Assignee: Janome Sewing Machine Company Limited, Tokyo (JP)**

(\*\*) **Term: 14 Years**

(21) **Appl. No.: 29/210,741**

(22) **Filed: Aug. 6, 2004**

(30) **Foreign Application Priority Data**

Feb. 27, 2004 (JP) ..... 2004-005827

(51) **LOC (8) Cl. .... 15-07**

(52) **U.S. Cl. .... D15/70; D15/69**

(58) **Field of Search .... D15/66, 69, 70;**  
112/154, 444, 217.1, 217.2, 217.3, 217.4,  
258-260; D21/527

(56) **References Cited**

**U.S. PATENT DOCUMENTS**

D291,999 S \* 9/1987 Yoneda ..... D15/69

D359,964 S \* 7/1995 Nakajima et al. .... D15/69

D433,690 S \* 11/2000 Kuroki ..... D15/70

D434,781 S \* 12/2000 Kawaguchi ..... D15/69

D437,329 S \* 2/2001 Kuroki ..... D15/69

D450,719 S \* 11/2001 Kuroki et al. .... D15/69

D450,720 S \* 11/2001 Kuroki ..... D15/69

D460,765 S \* 7/2002 Kuroki ..... D15/69

D474,208 S \* 5/2003 Kawaguchi ..... D15/69

D481,739 S \* 11/2003 Iwai ..... D15/69

D483,774 S \* 12/2003 Kuroki ..... D15/69

\* cited by examiner

*Primary Examiner*—Stella Reid

*Assistant Examiner*—Shanda C. Hill

(74) *Attorney, Agent, or Firm*—Jacobson Holman PLLC

(57) **CLAIM**

The ornamental design for a sewing machine, as shown and described.

**DESCRIPTION**

FIG. 1 is a front perspective view showing my new design for a sewing machine,  
FIG. 2 is a front view thereof;  
FIG. 3 is a rear view thereof;  
FIG. 4 is a left side view thereof;  
FIG. 5 is a right side view thereof;  
FIG. 6 is a top view thereof; and,  
FIG. 7 is a bottom view thereof.

**1 Claim, 7 Drawing Sheets**

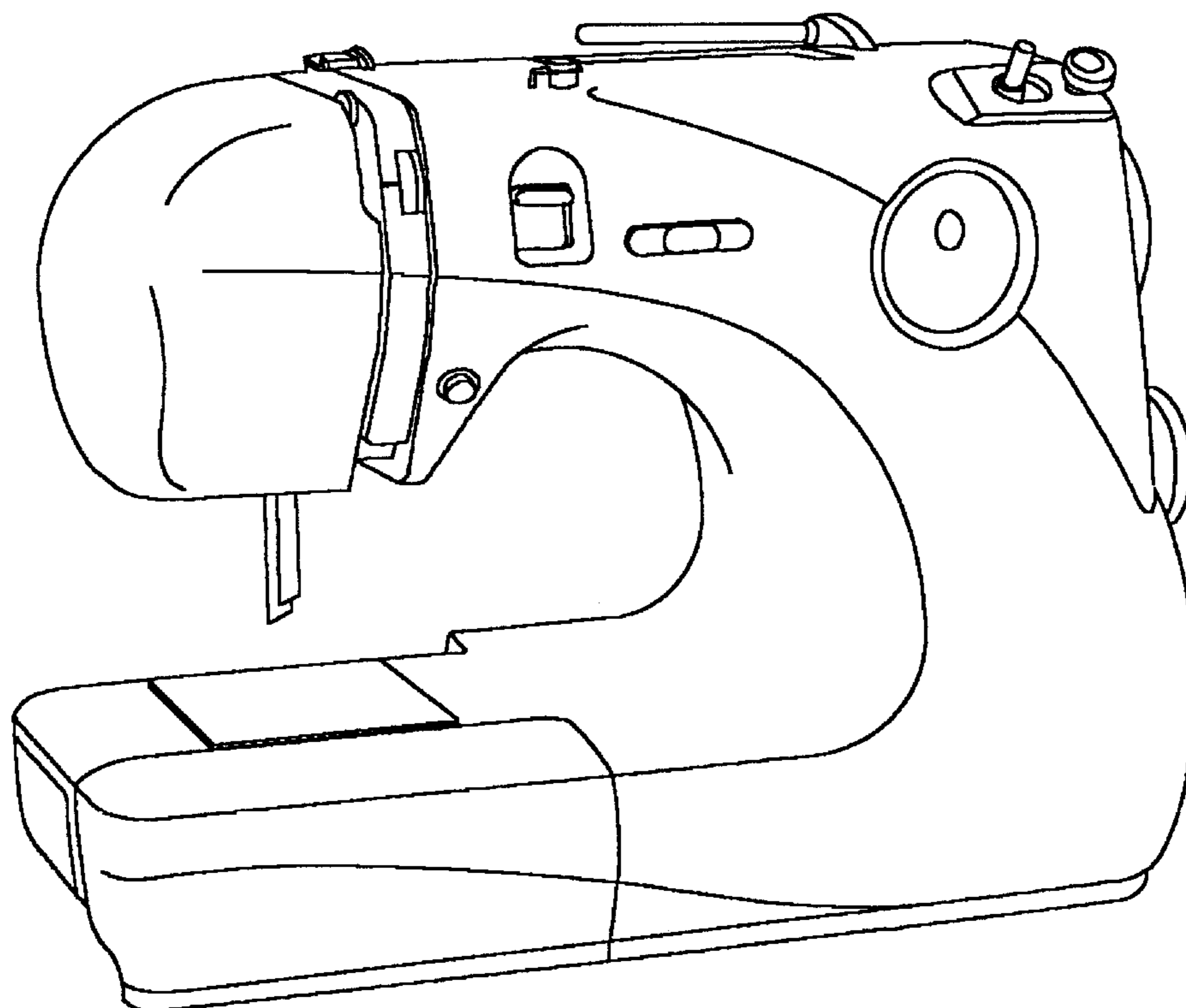


FIG. 1

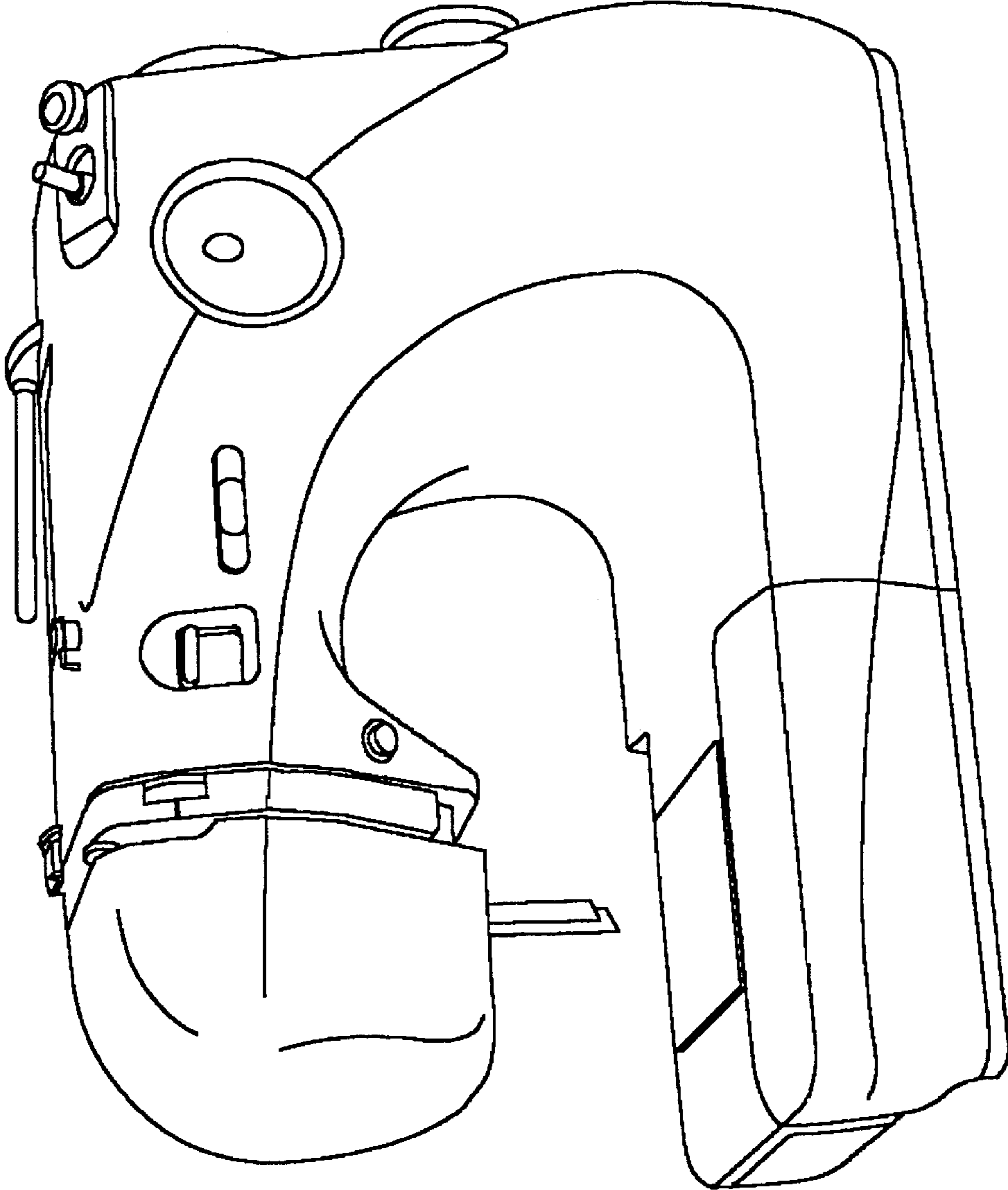


FIG. 2

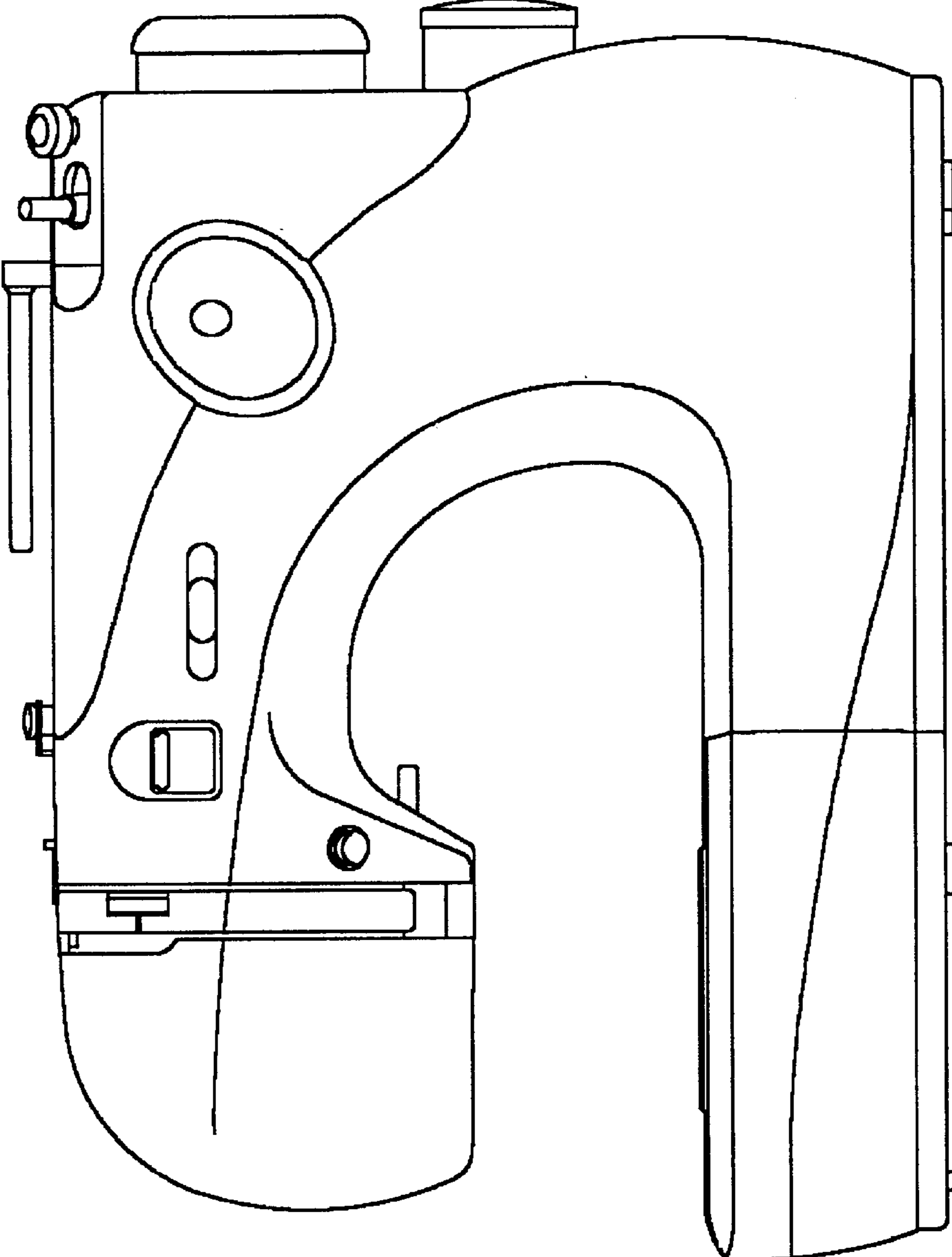


FIG. 3

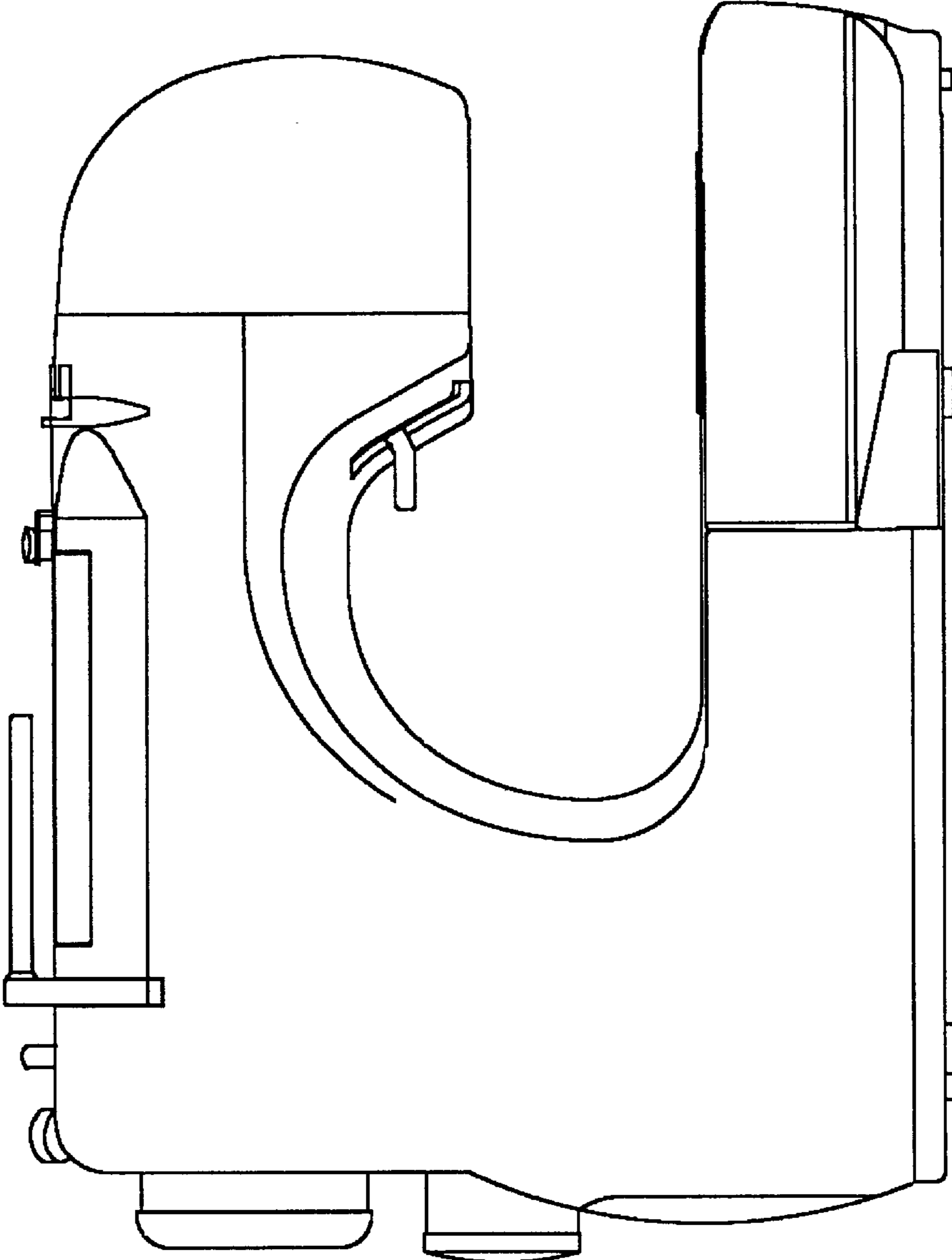


FIG. 4

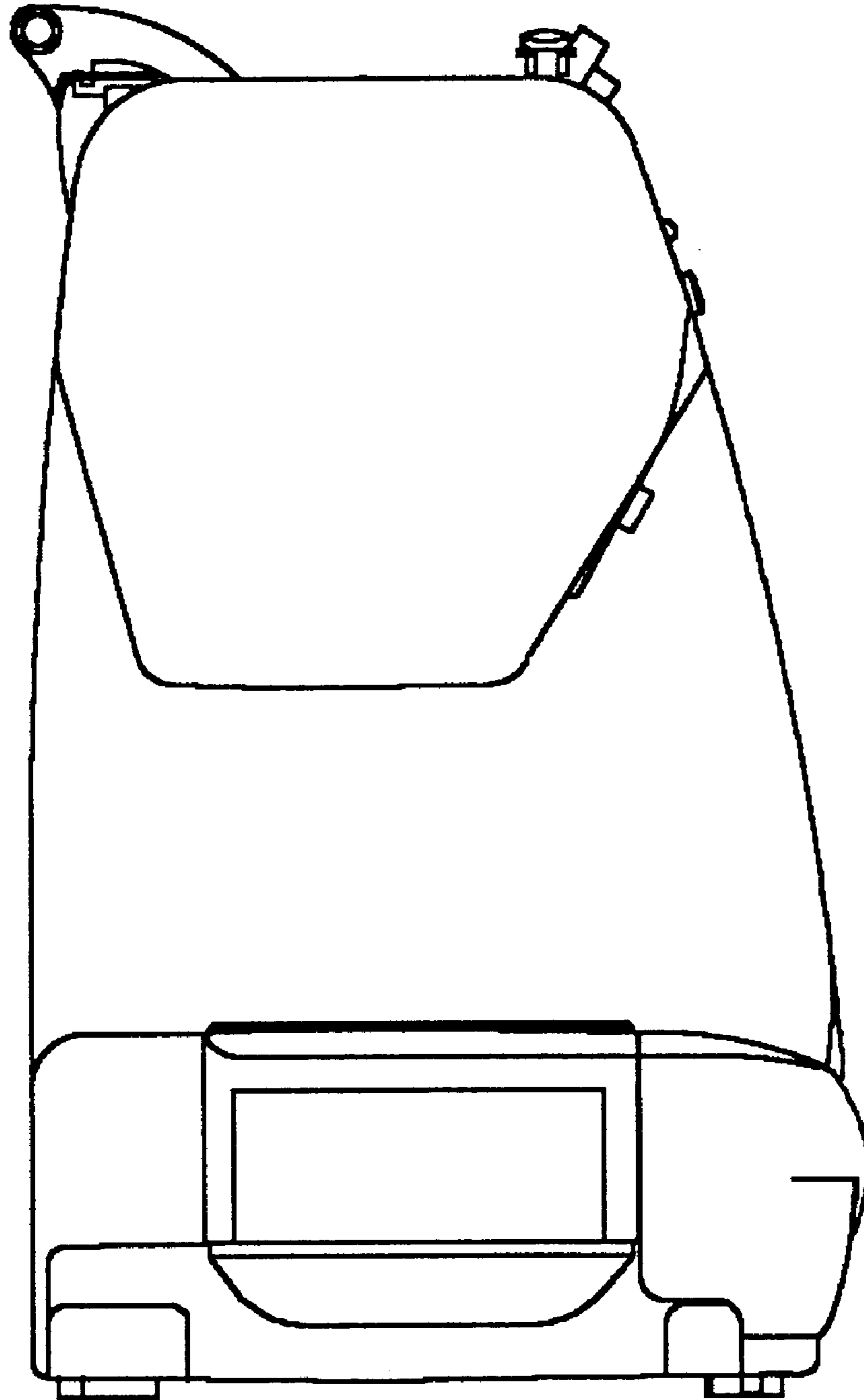


FIG. 5

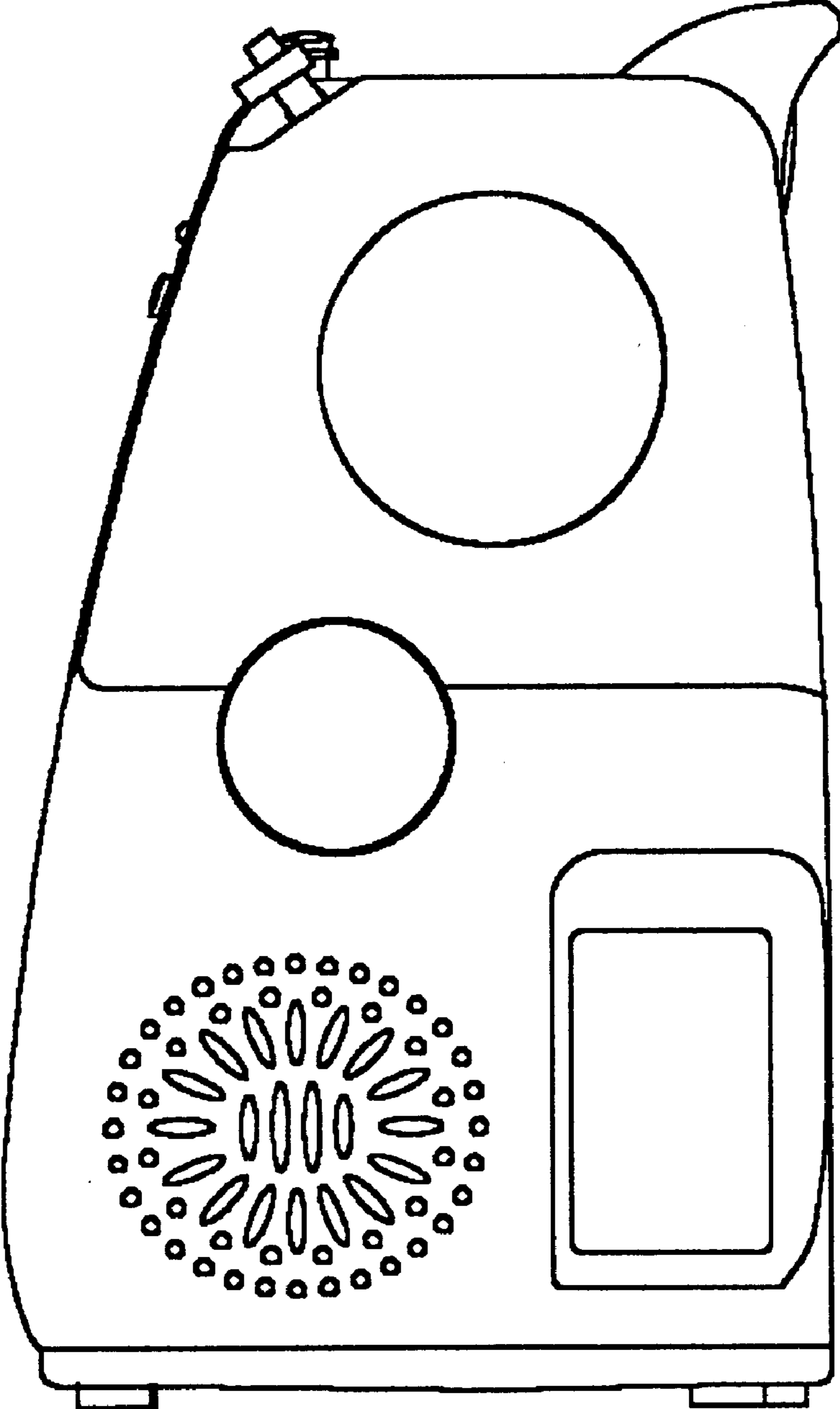


FIG. 6

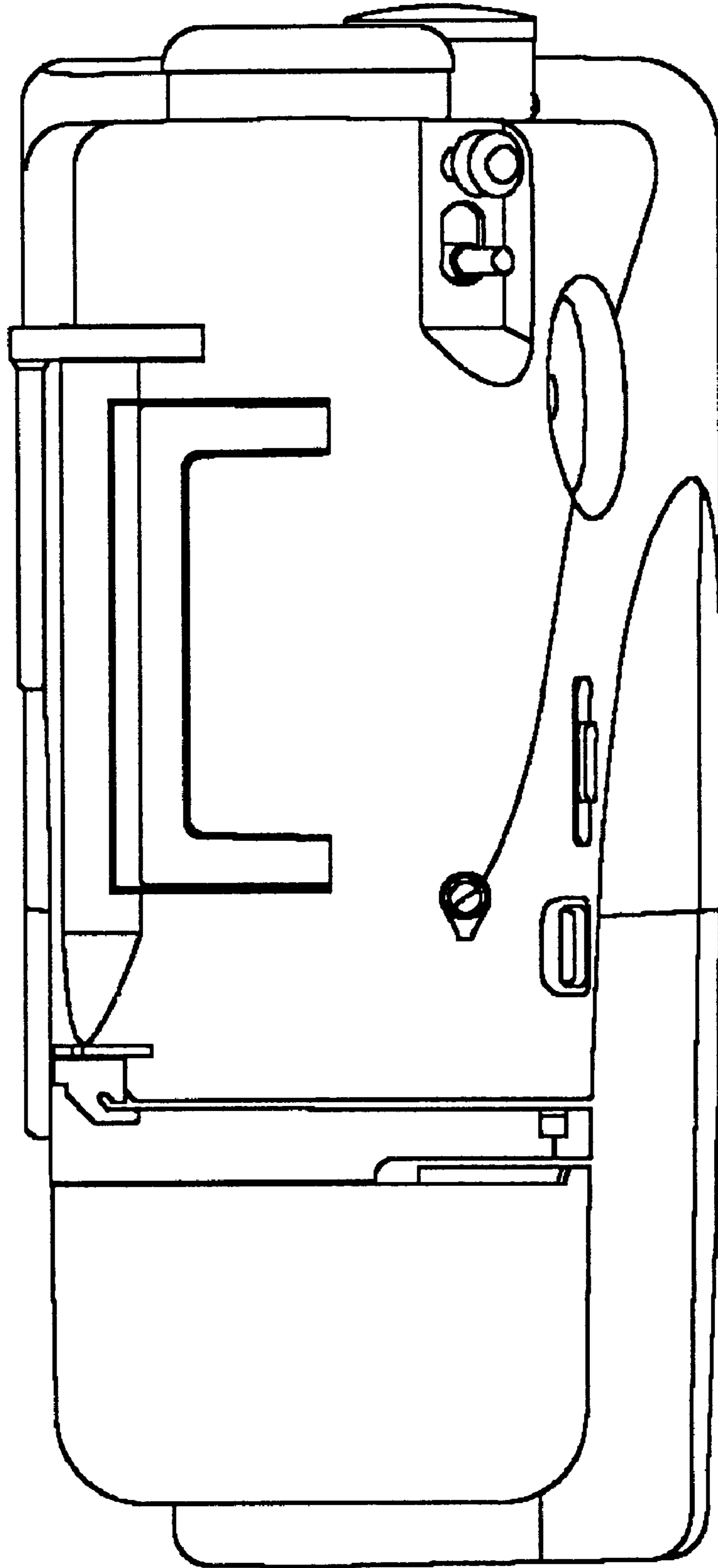


FIG. 7

