



US00D508499S

(12) **United States Design Patent** (10) **Patent No.:** **US D508,499 S**  
**Kurtz, Jr.** (45) **Date of Patent:** **\*\* Aug. 16, 2005**

(54) **REAR GRILL FOR SKID STEER LOADER**  
 (75) Inventor: **Robert D. Kurtz, Jr., Leola, PA (US)**  
 (73) Assignee: **CNH America LLC, New Holland, PA (US)**  
 (\*\*) Term: **14 Years**

(21) Appl. No.: **29/216,422**  
 (22) Filed: **Nov. 2, 2004**

(51) **LOC (8) Cl.** ..... **15-03**  
 (52) **U.S. Cl.** ..... **D15/31**  
 (58) **Field of Search** ..... D15/31, 10, 11,  
 D15/15, 17, 28, 20, 22-26; D12/173, 163,  
 164, 166, 190, 196; D25/142, 156, 47;  
 180/89.1, 89.12, 900, 68.1, 69.1, 69.2;  
 62/272; 296/102

(56) **References Cited**

**U.S. PATENT DOCUMENTS**

2,267,486 A	*	12/1941	West	62/272
D165,320 S		12/1951	Beyerstedt	
2,795,458 A	*	6/1957	Wieschel	296/102
D195,254 S		5/1963	Keller et al.	
D224,588 S		8/1972	Bauer	
D224,651 S		8/1972	Lorenz et al.	
D230,876 S		3/1974	Lorenz et al.	
3,828,952 A		8/1974	Klee	
3,895,728 A		7/1975	Heggen	
4,055,262 A		10/1977	Bauer et al.	
D247,814 S		5/1978	Johnson et al.	
4,117,902 A		10/1978	Henline et al.	
D251,088 S		2/1979	Johnson et al.	
4,168,757 A		9/1979	Mather et al.	
D271,397 S		11/1983	Kuhn et al.	
D272,826 S		2/1984	Cochran et al.	
D284,577 S		7/1986	DuBose	
D294,707 S		3/1988	Cameron	

D296,332 S	*	6/1988	Sheets	D15/28
4,815,550 A		3/1989	Mather et al.	
D322,792 S		12/1991	Park	
D352,723 S		11/1994	DeBaal et al.	
D356,584 S		3/1995	Innes	
D365,578 S		12/1995	Westimayer et al.	
D382,279 S		8/1997	Goebert et al.	
5,807,061 A		9/1998	Donoghue et al.	
D401,945 S	*	12/1998	Cunningham et al.	D15/31
D406,594 S		3/1999	Miller et al.	
D410,219 S	*	5/1999	Bangle	D12/163
D411,210 S		6/1999	Goebert et al.	
D412,712 S		8/1999	Miller et al.	
D423,521 S	*	4/2000	Walter et al.	D15/23
D436,605 S		1/2001	Shaw et al.	
D456,822 S		5/2002	Westimayer et al.	
D461,197 S	*	8/2002	Geier et al.	D15/20
D499,750 S	*	12/2004	Mistry et al.	D15/31

\* cited by examiner

*Primary Examiner*—Stella M. Reid  
*Assistant Examiner*—Mark A. Goodwin  
 (74) *Attorney, Agent, or Firm*—John William Stader

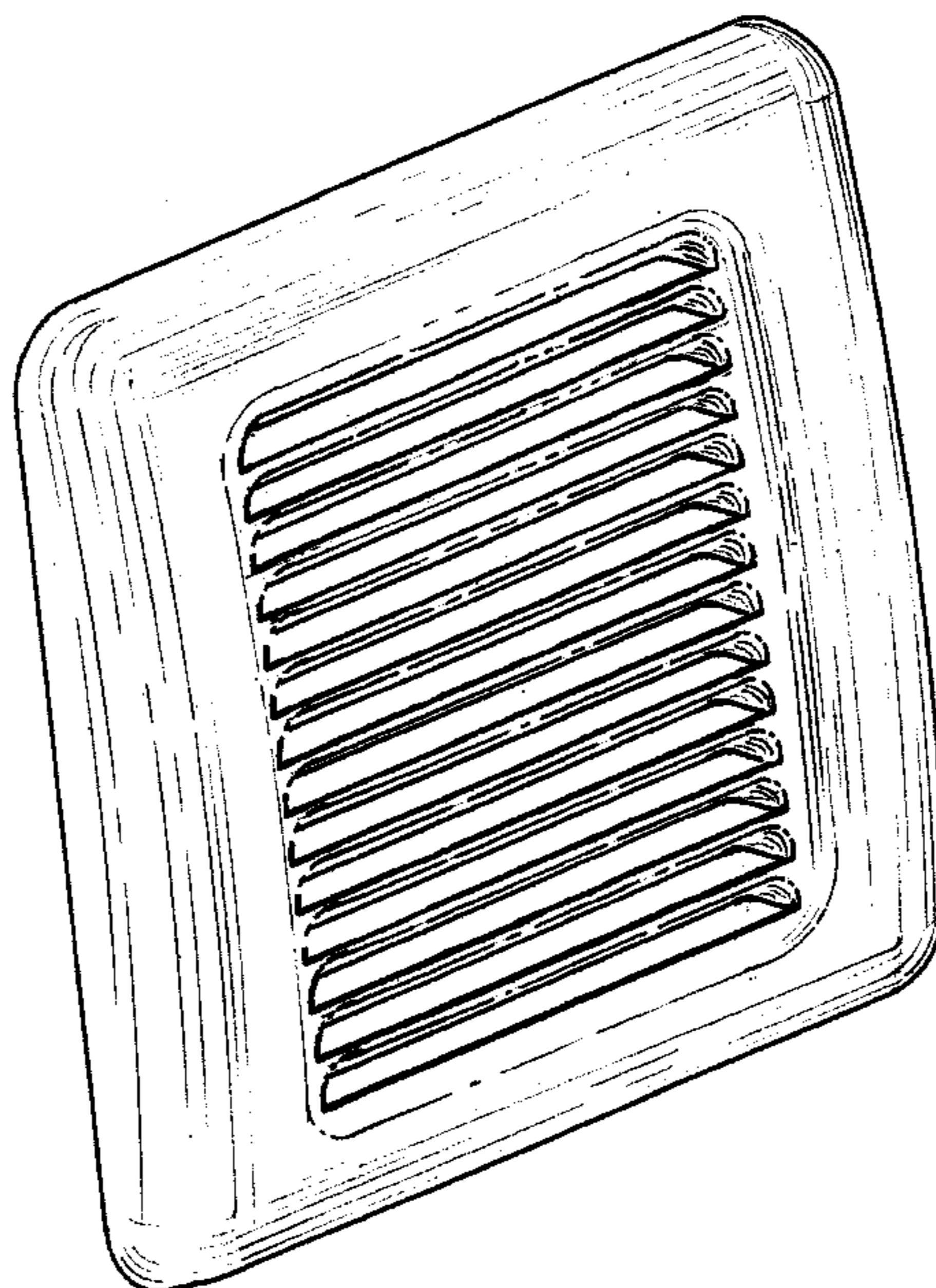
(57) **CLAIM**

The ornamental design for a rear grill for skid steer loader, as shown and described.

**DESCRIPTION**

FIG. 1 is a perspective view of a rear grill for skid steer loader showing our new design in its environment; FIG. 2 is a front perspective view thereof; FIG. 3 is a cross-sectional view thereof taken along the line 3—3 in FIG. 1; and, FIG. 4 is a rear perspective view thereof. The broken line showing in FIGS. 1, 3, and 4 is for illustrative purposes only and forms no part of the claimed design.

**1 Claim, 4 Drawing Sheets**



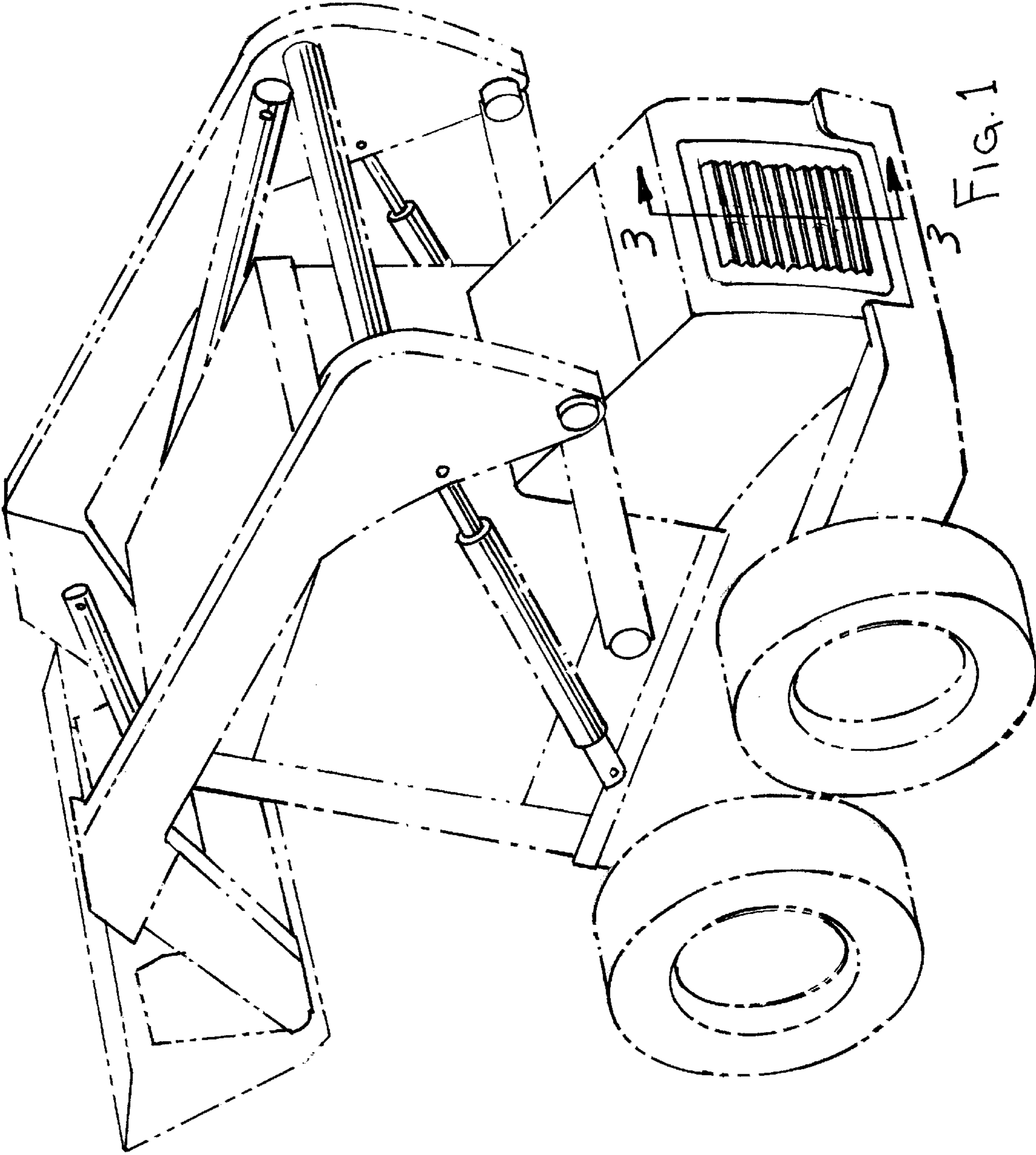
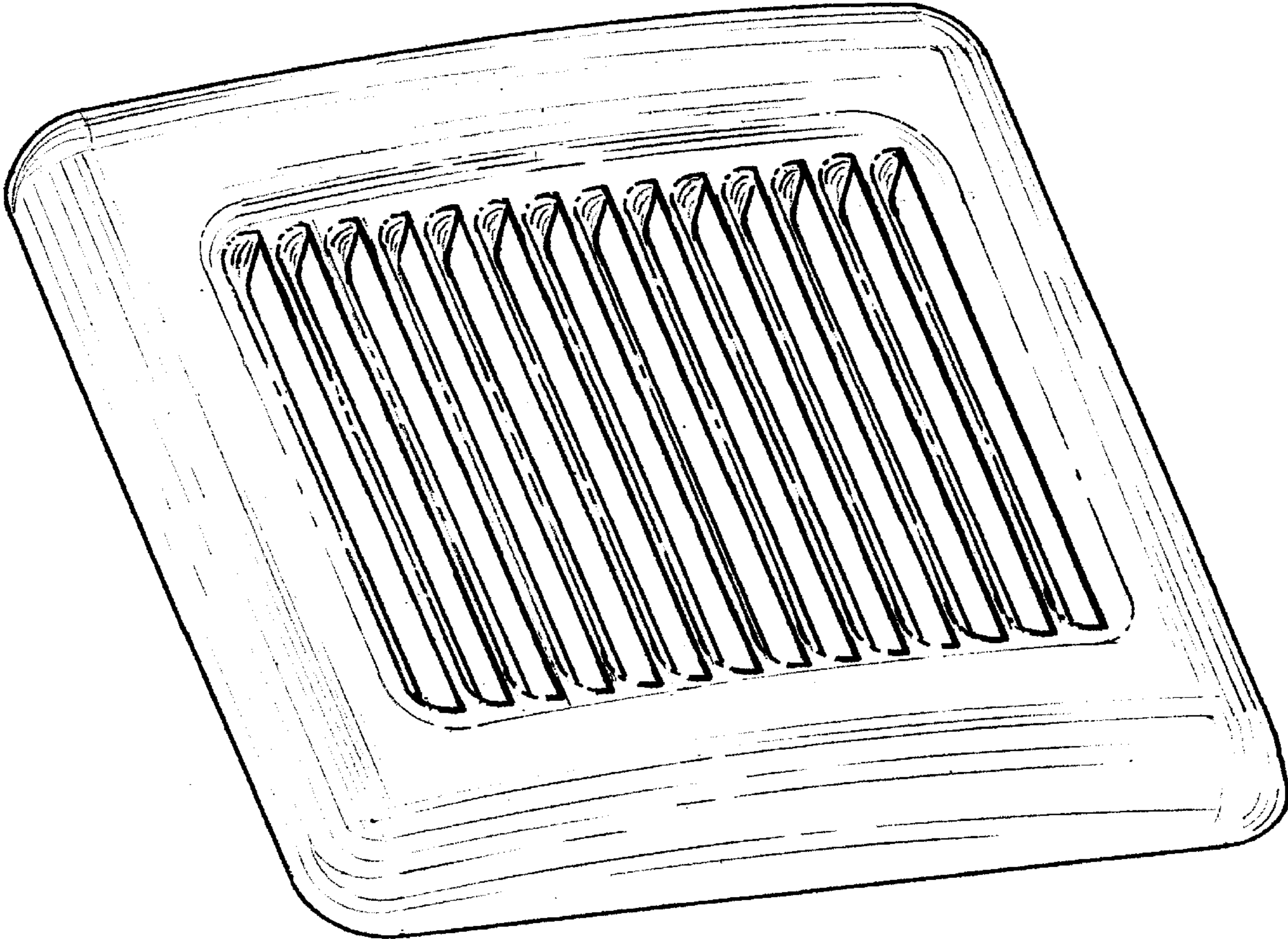


FIG. 2



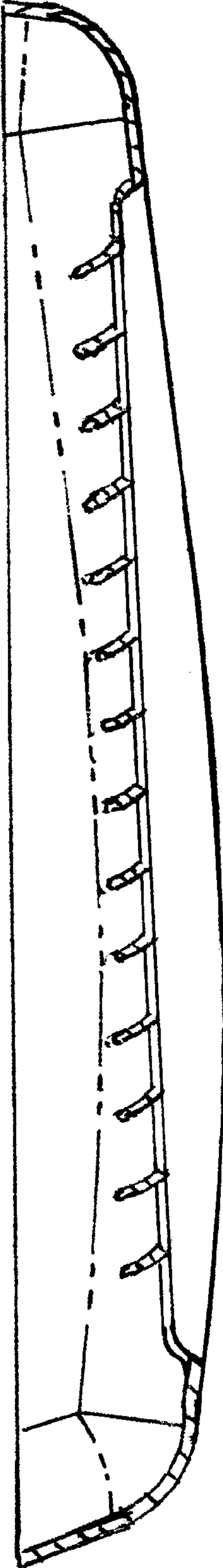


FIG. 3

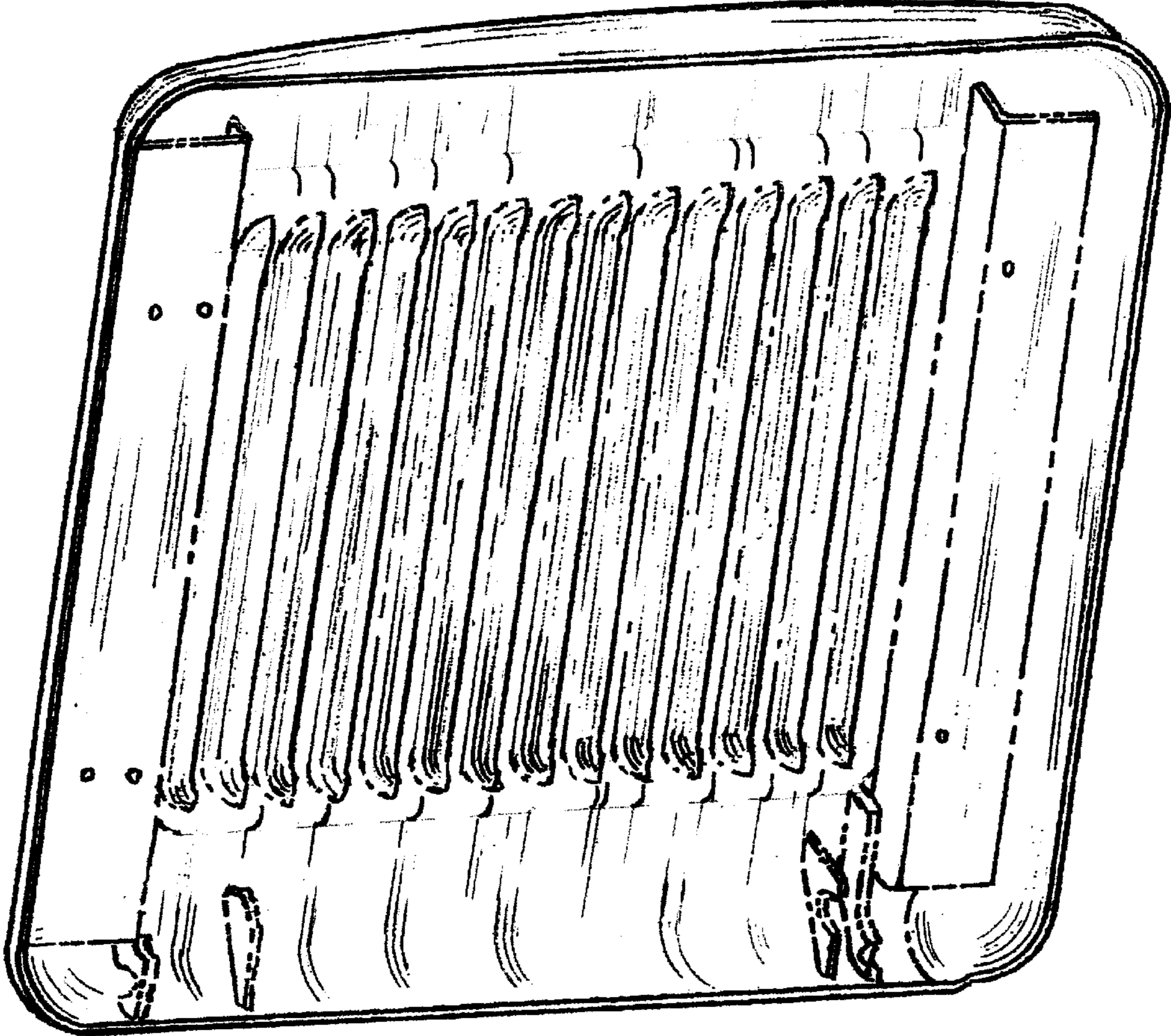


FIG. 4