

US00D508498S

(12) **United States Design Patent** (10) **Patent No.:** **US D508,498 S**
Shimokakiuchi et al. (45) **Date of Patent:** **** Aug. 16, 2005**

(54) **TRAVELING BODY FOR CONSTRUCTION MACHINE**

D473,571 S * 4/2003 Kuwae et al. D15/25
D474,481 S * 5/2003 Hara D15/25

(75) Inventors: **Hiroshi Shimokakiuchi**, Hiroshima (JP); **Hirokazu Imashige**, Hiroshima (JP); **Hiroshi Morita**, Hiroshima (JP)

FOREIGN PATENT DOCUMENTS

JP 1105409 2/2001
JP 1113460 4/2001
JP 1113775 4/2001

(73) Assignee: **Kobelco Construction Machinery Co., Ltd.**, Hiroshima (JP)

* cited by examiner

(**) Term: **14 Years**

Primary Examiner—Mitchell Siegel
(74) *Attorney, Agent, or Firm*—Oblon, Spivak, McClelland, Maier & Neustadt, P.C.

(21) Appl. No.: **29/201,873**

(22) Filed: **Mar. 23, 2004**

(57) **CLAIM**

(30) **Foreign Application Priority Data**

The ornamental design for a traveling body for construction machine, or the like, as shown and described.

Sep. 30, 2003 (JP) 2003-028757
Sep. 30, 2003 (JP) 2003-028758
Sep. 30, 2003 (JP) 2003-028759

DESCRIPTION

(51) **LOC (8) Cl.** **15-03**
(52) **U.S. Cl.** **D15/24**
(58) **Field of Search** D15/22-26, 28, D15/33; 180/89.1, 89.12, 235, 900; 414/694, 699, 722-724; 280/400

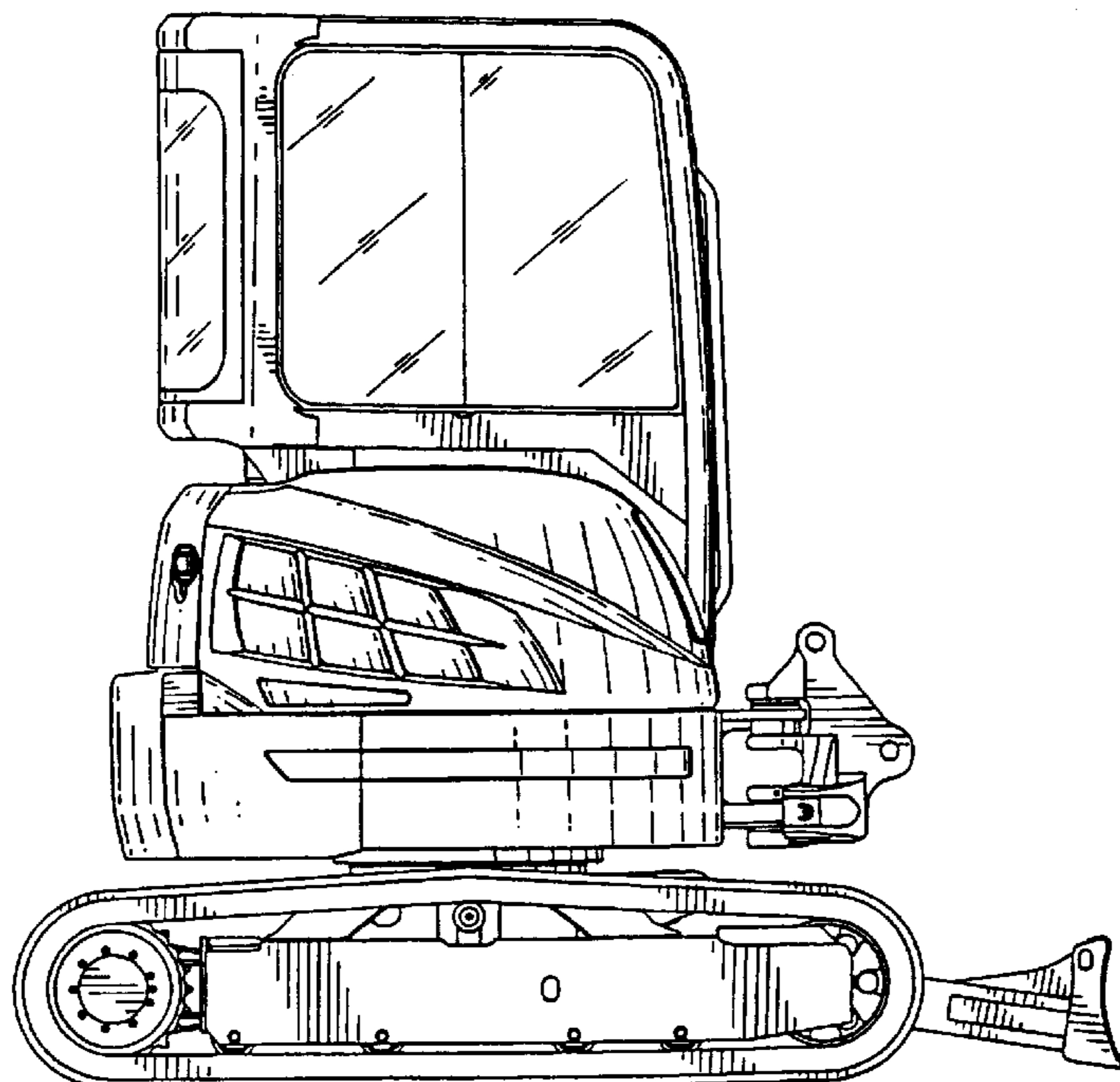
FIG. 1 is a front elevational view thereof;
FIG. 2 is a rear elevational view thereof;
FIG. 3 is a left side elevational view thereof;
FIG. 4 is a right side elevational view thereof;
FIG. 5 is a top plan view thereof;
FIG. 6 is a front elevational view thereof;
FIG. 7 is a rear elevational view thereof;
FIG. 8 is a left side elevational view thereof;
FIG. 9 is a right side elevational view thereof;
FIG. 10 is a top plan view thereof;
FIG. 11 is a front elevational view thereof;
FIG. 12 is a rear elevational view thereof;
FIG. 13 is a left side elevational view thereof;
FIG. 14 is a right side elevational view thereof; and,
FIG. 15 is a top plan view thereof.

(56) **References Cited**

U.S. PATENT DOCUMENTS

D354,497 S * 1/1995 Kusunoki et al. D15/25
D431,253 S * 9/2000 Marchetta et al. D15/25
D436,605 S * 1/2001 Shaw et al. D15/30
D440,236 S * 4/2001 Kraft et al. D15/28
D450,067 S * 11/2001 Murakami et al. D15/25
D450,331 S * 11/2001 Murakami et al. D15/25
D450,717 S * 11/2001 Muraro D15/25
D460,974 S * 7/2002 Murakami et al. D15/25

1 Claim, 9 Drawing Sheets



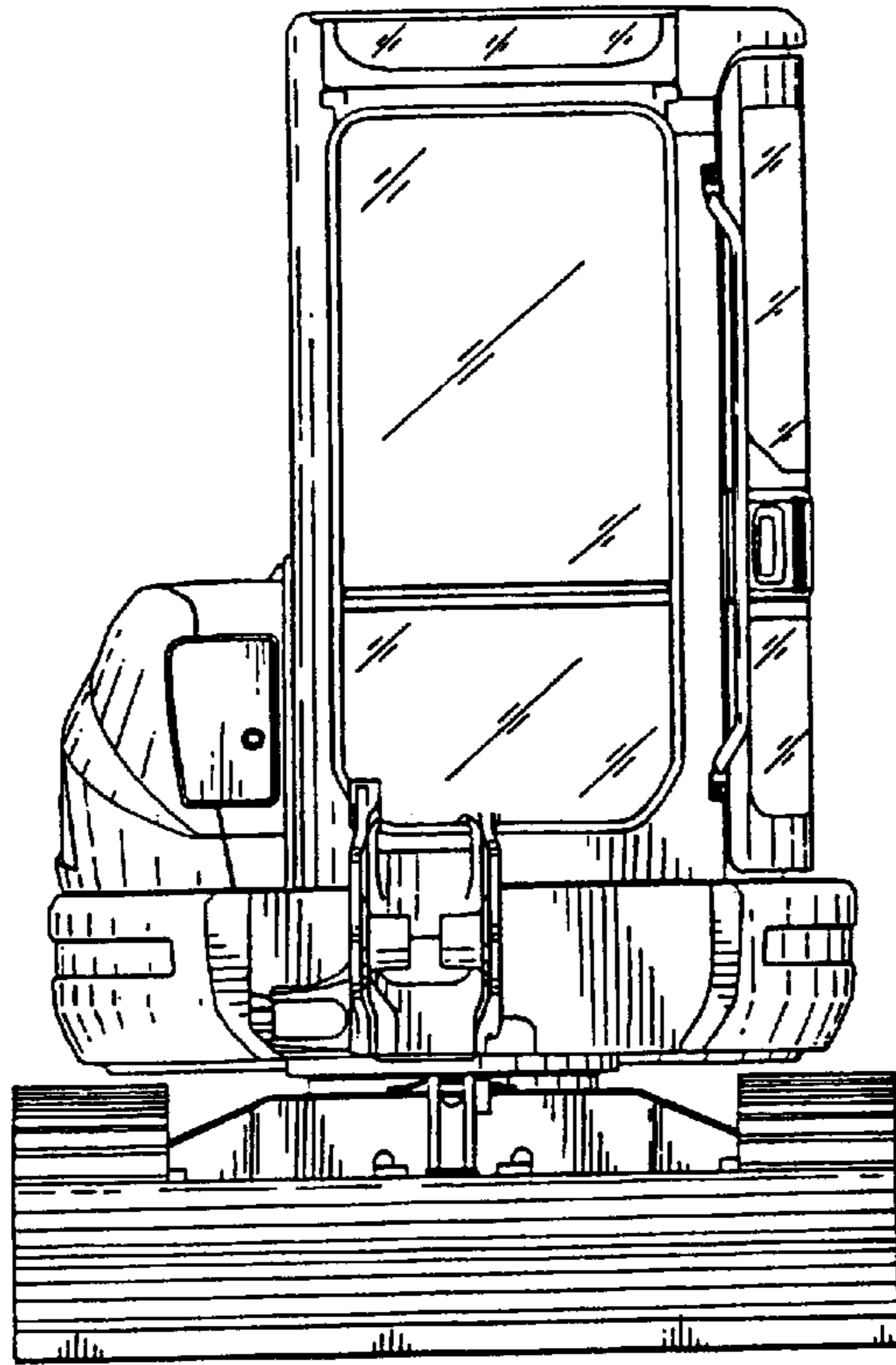


FIG. 1

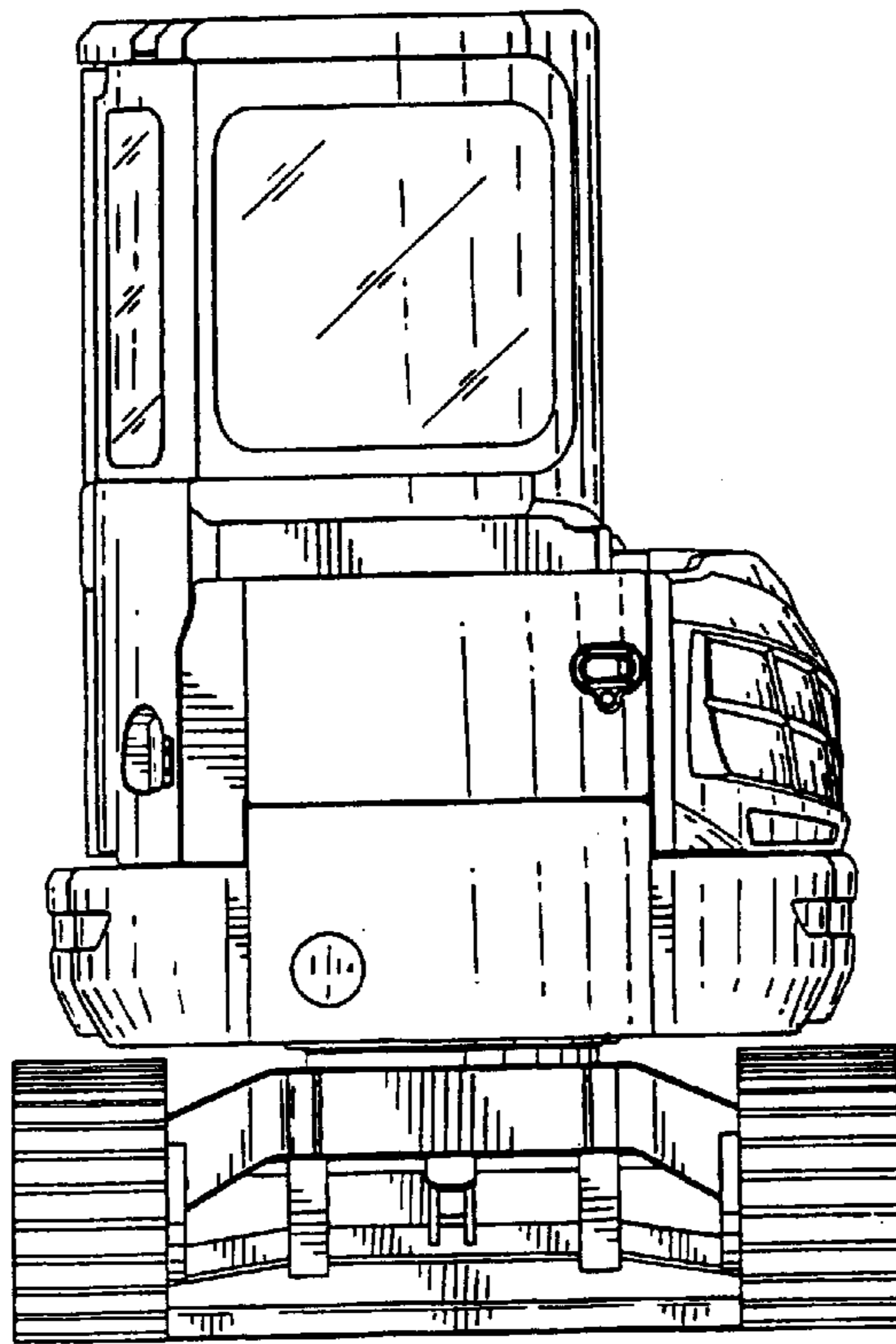


FIG. 2

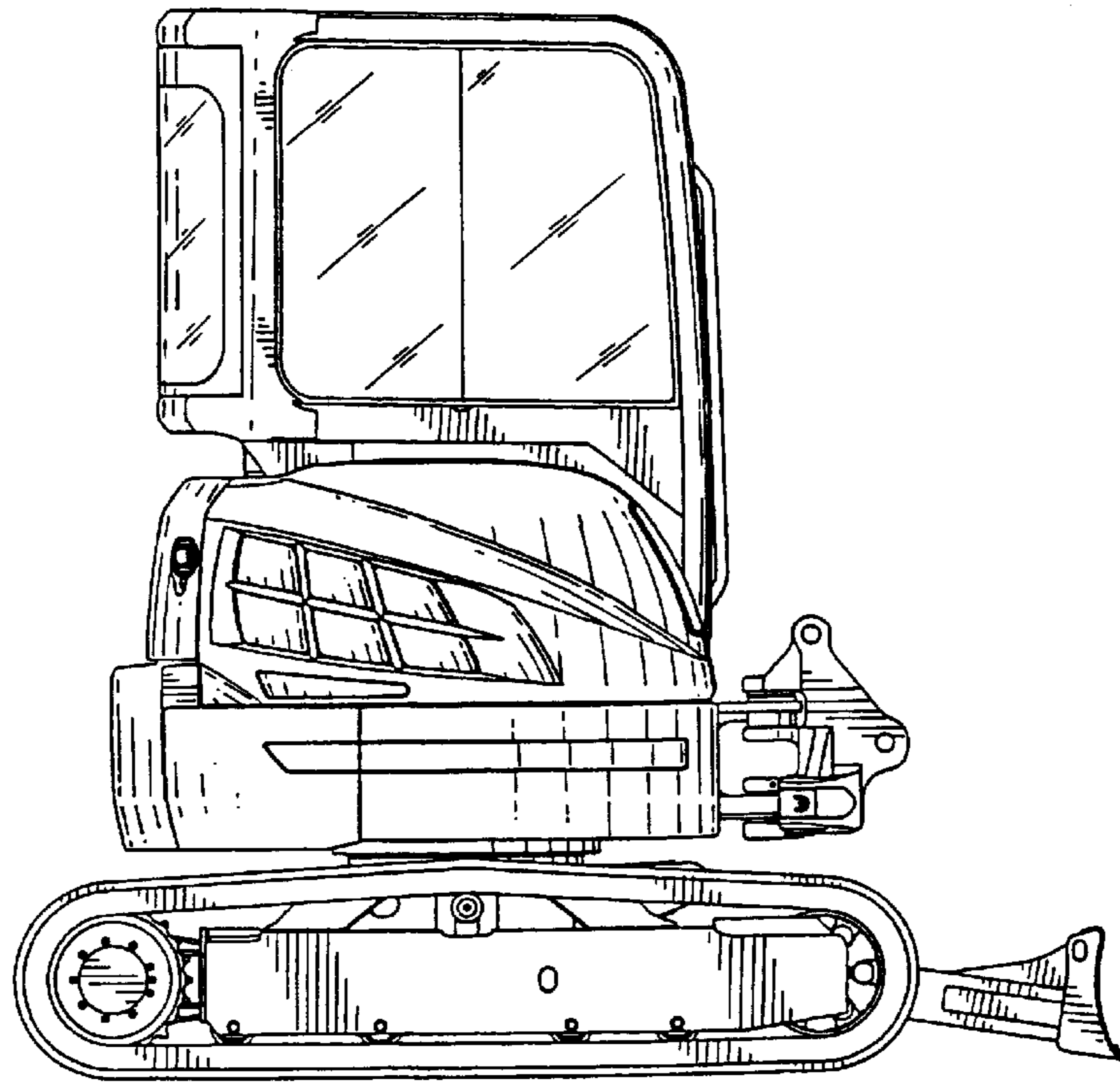


FIG. 3

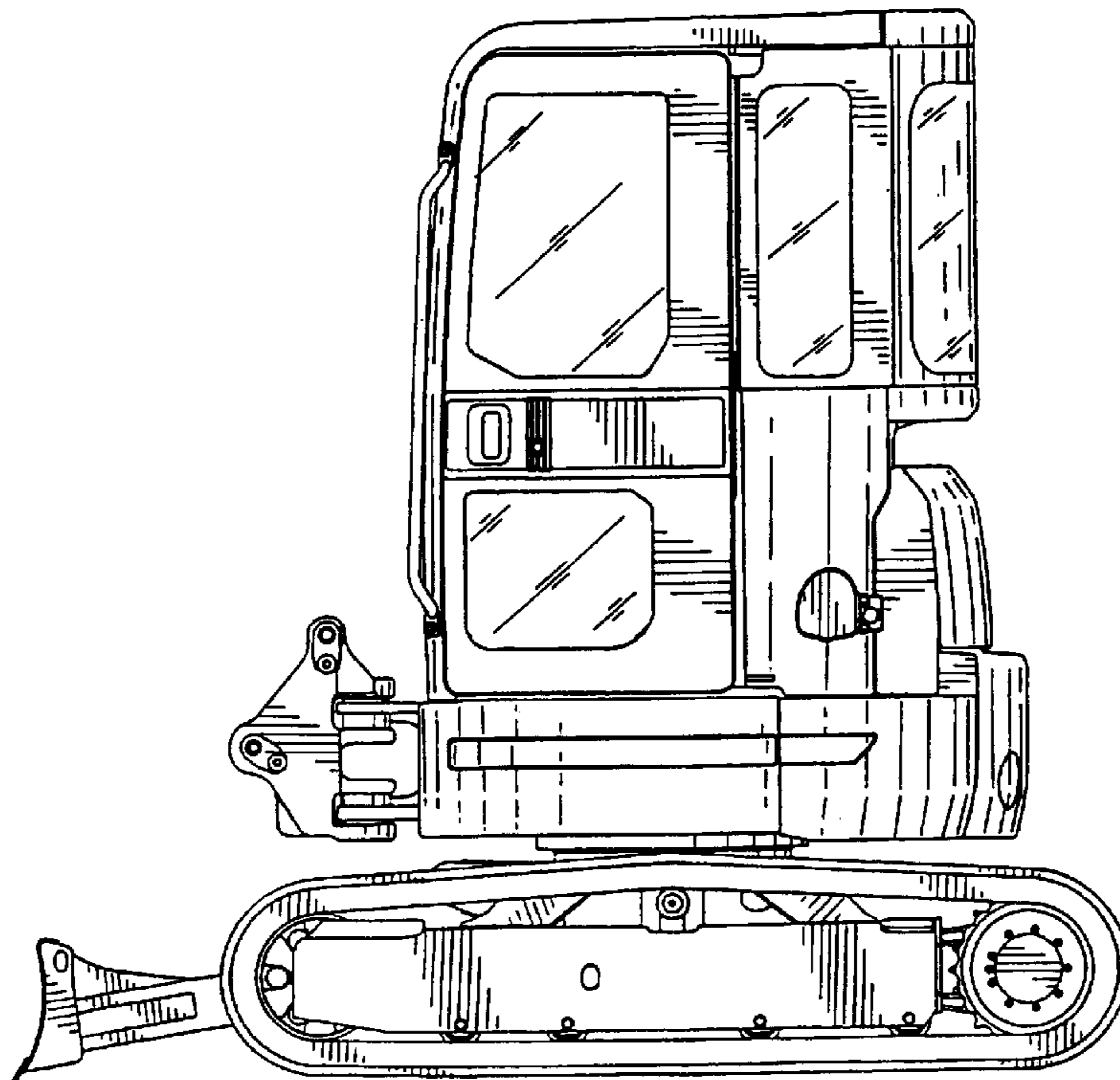


FIG. 4

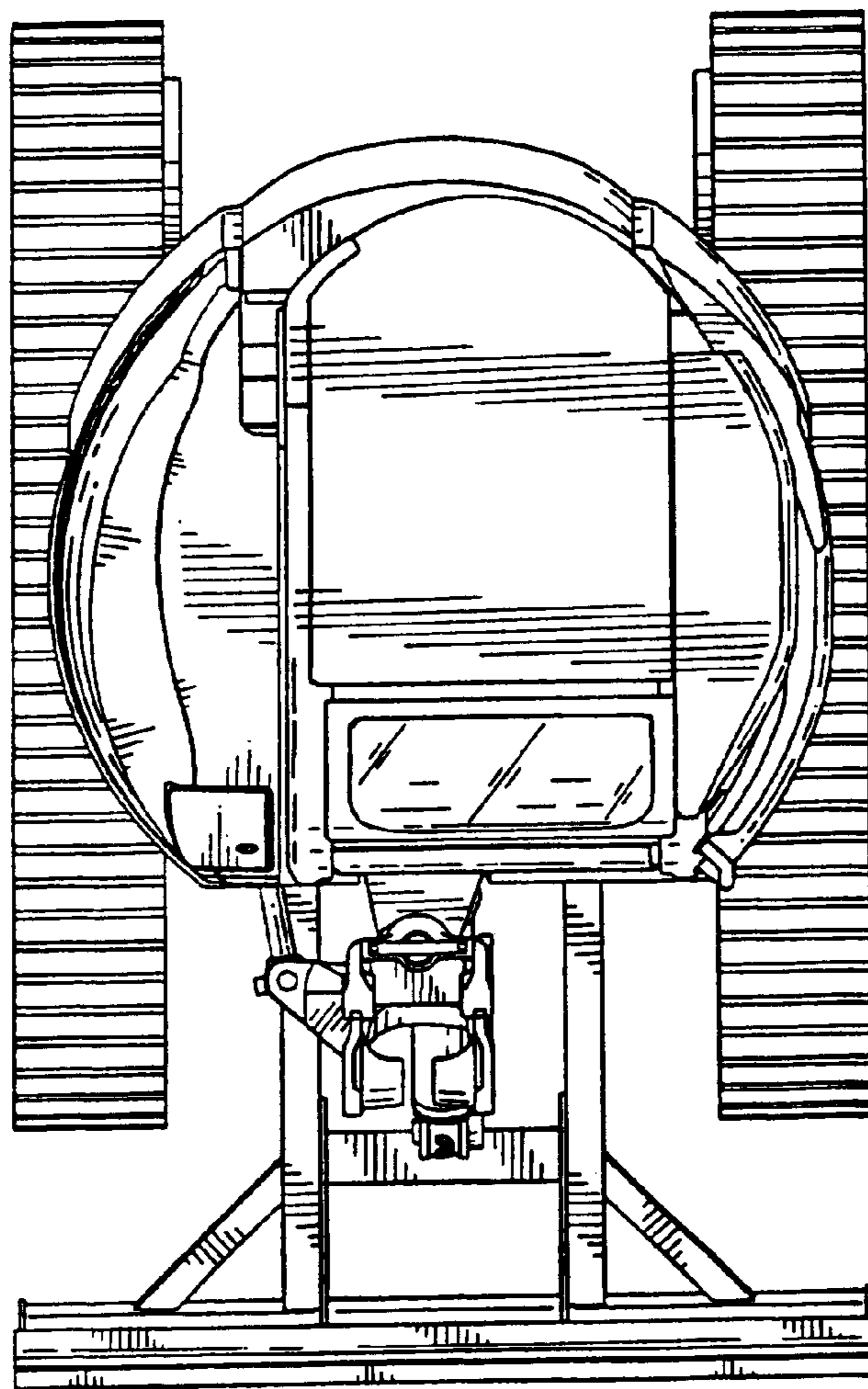


FIG. 5

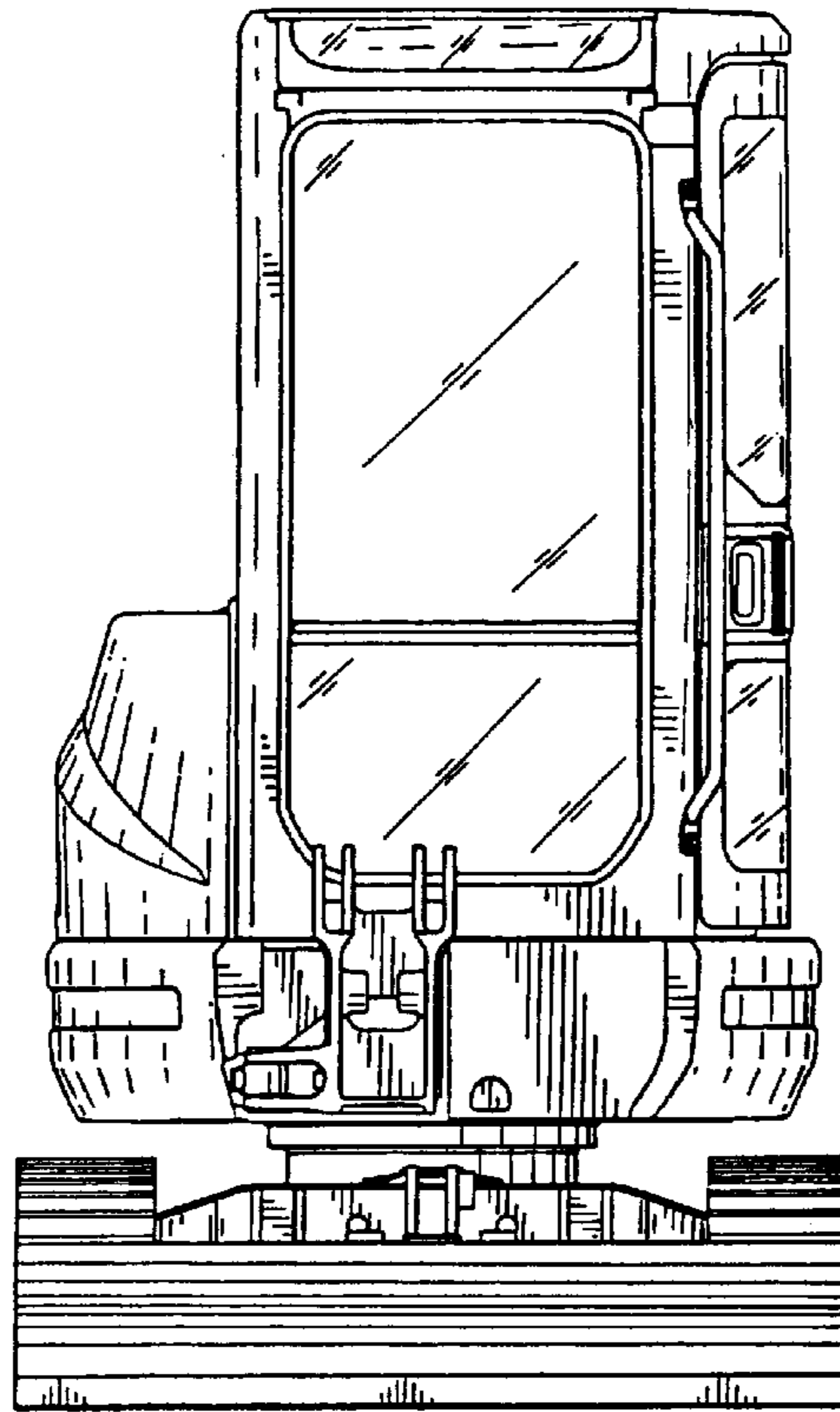


FIG. 6

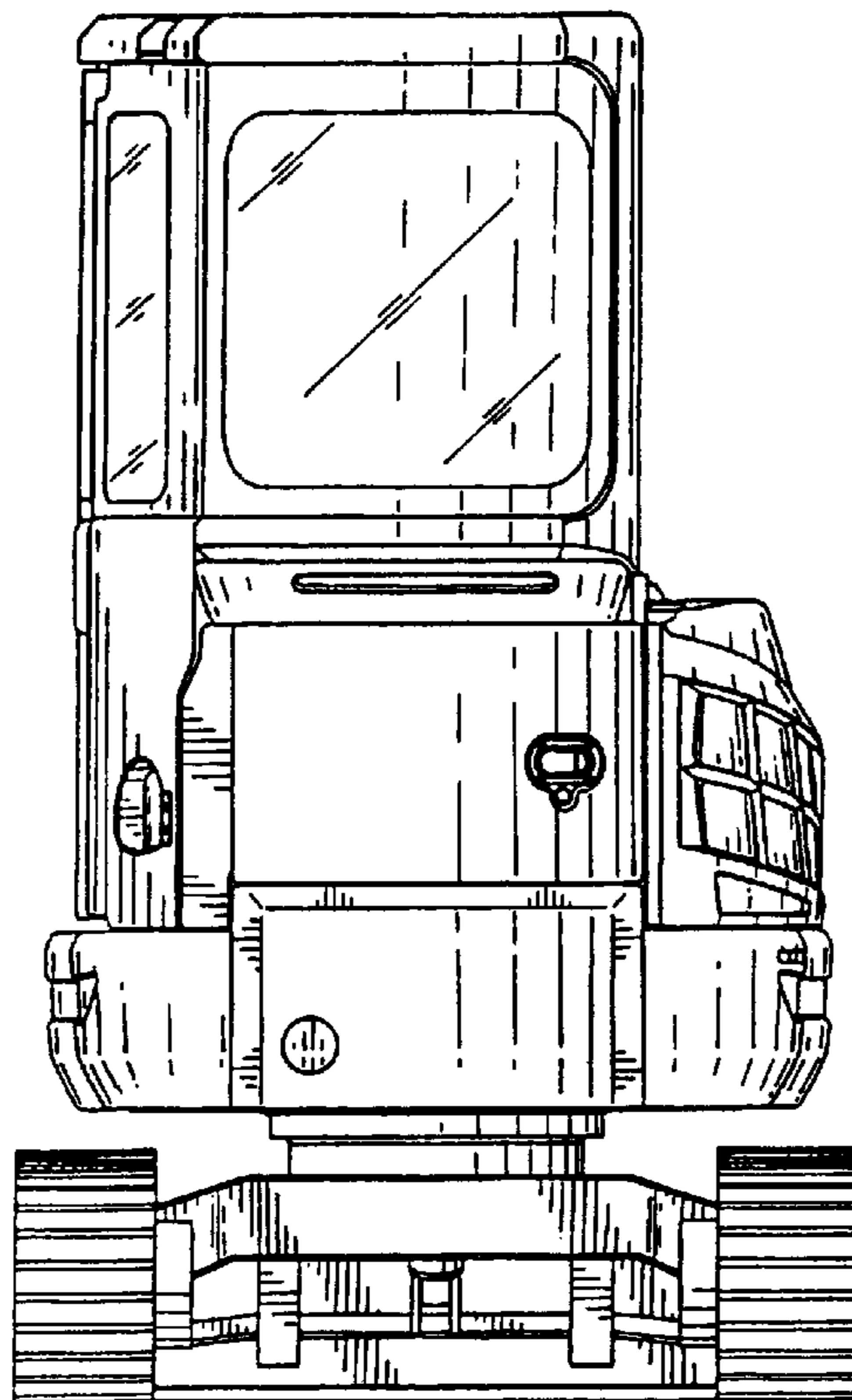


FIG. 7

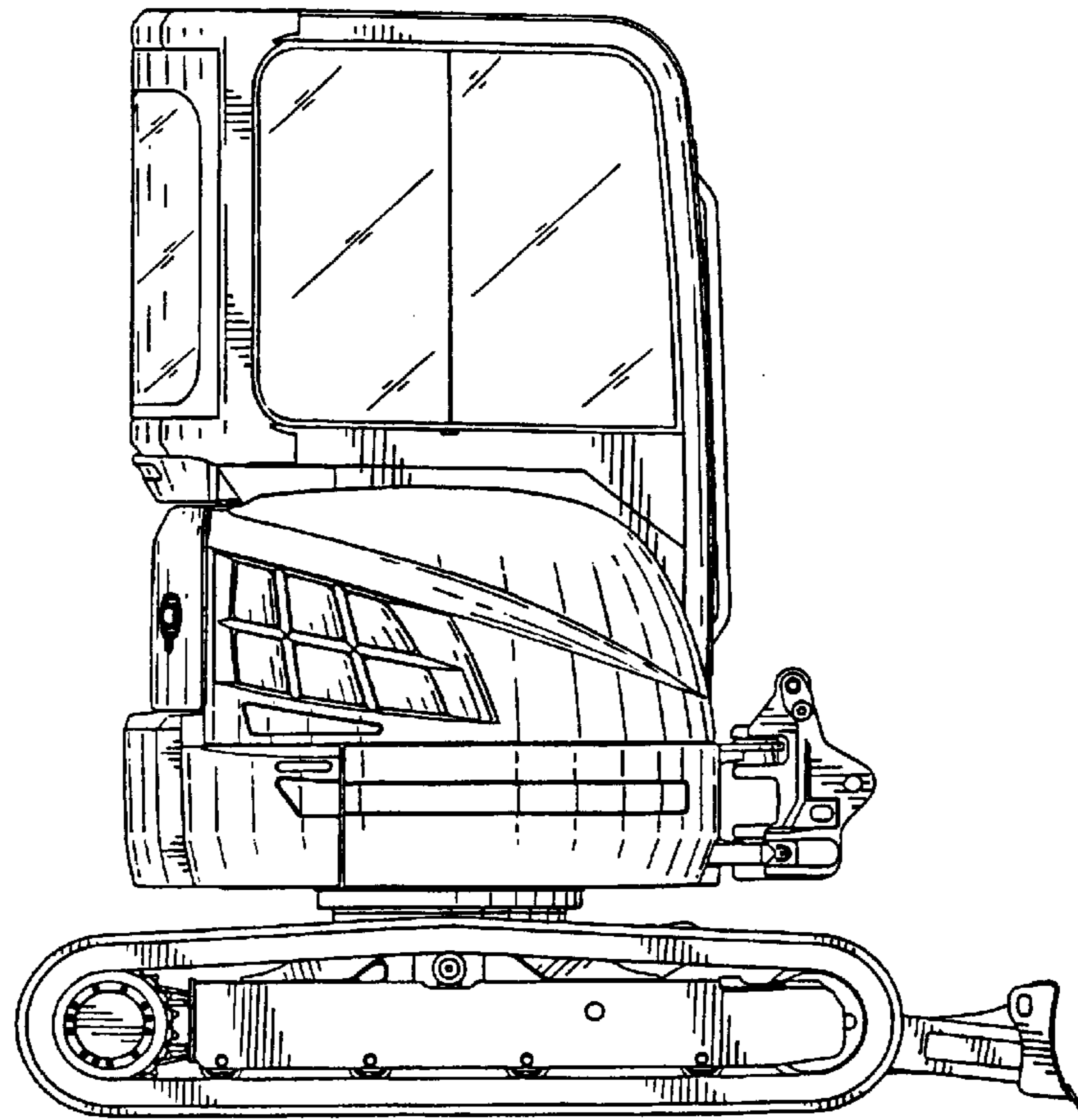


FIG. 8

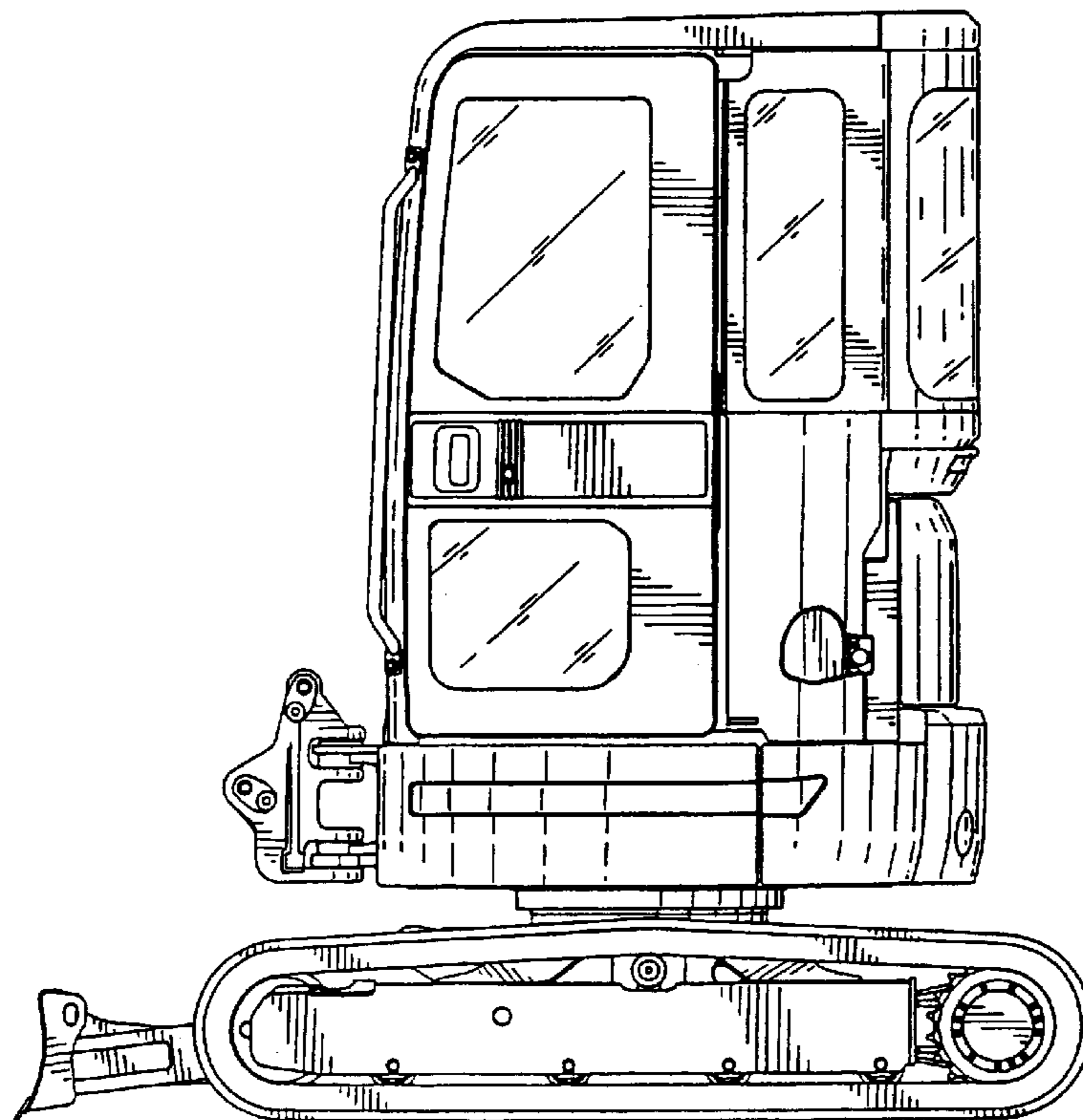


FIG. 9

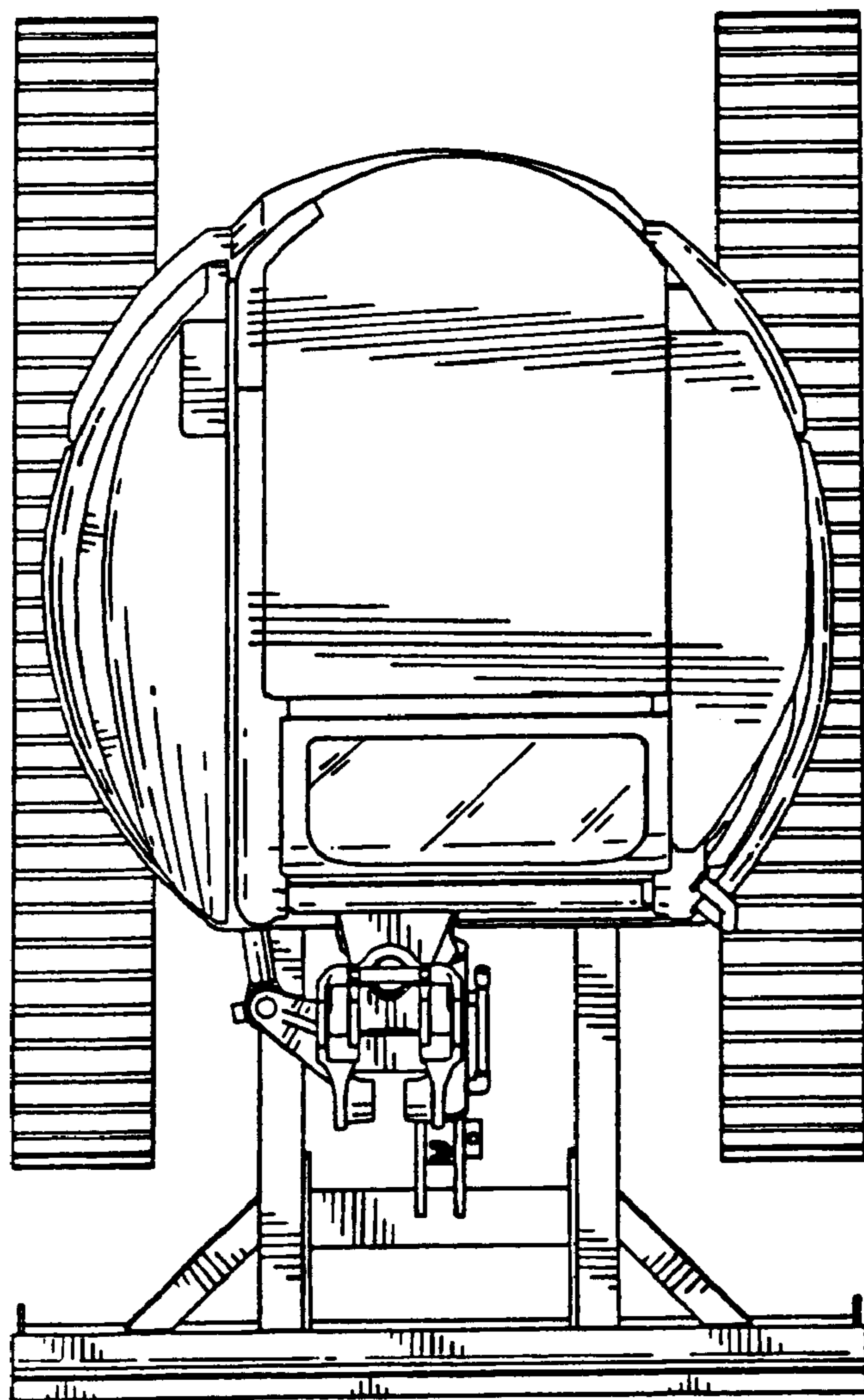


FIG. 10

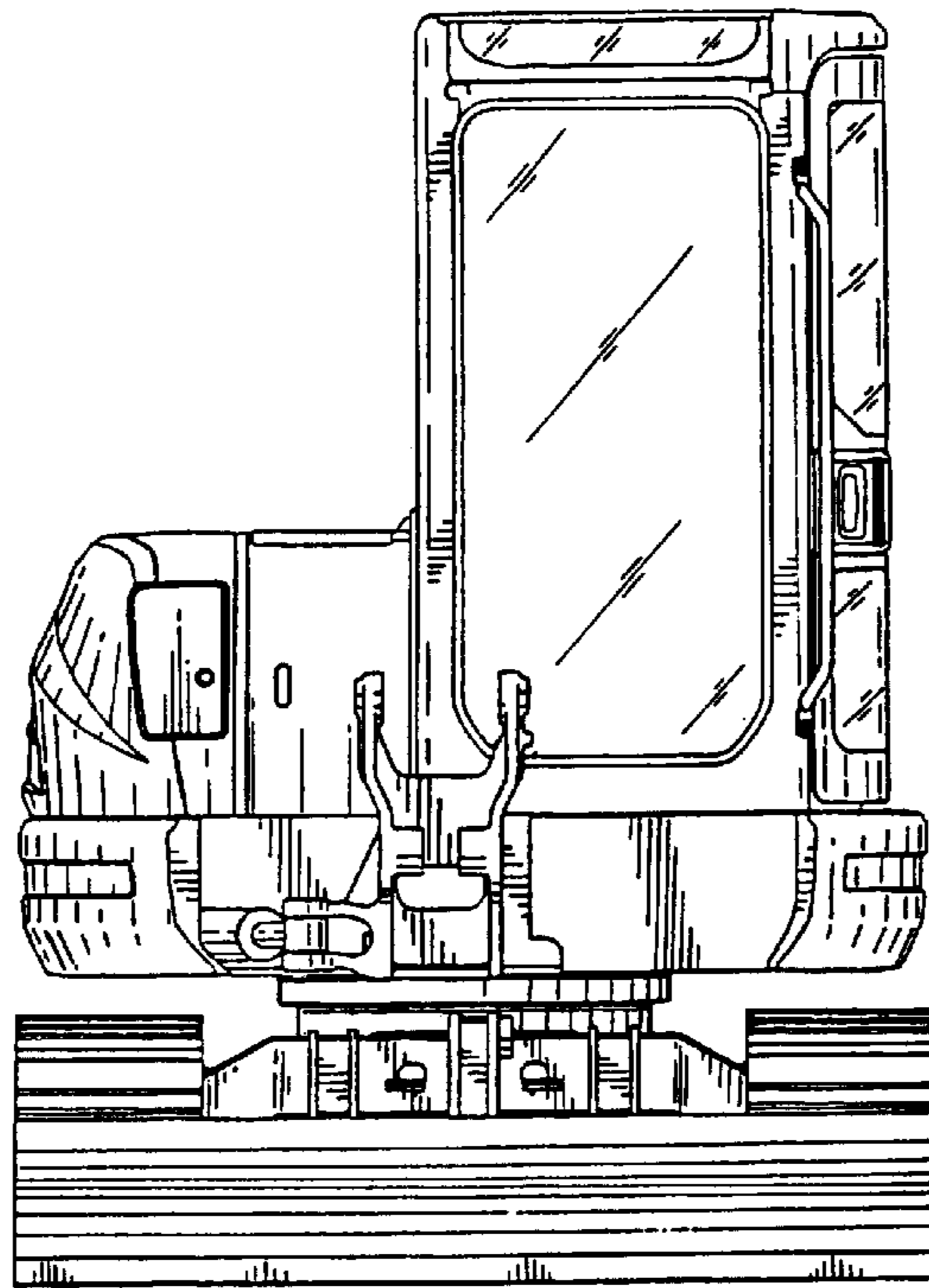


FIG. 11

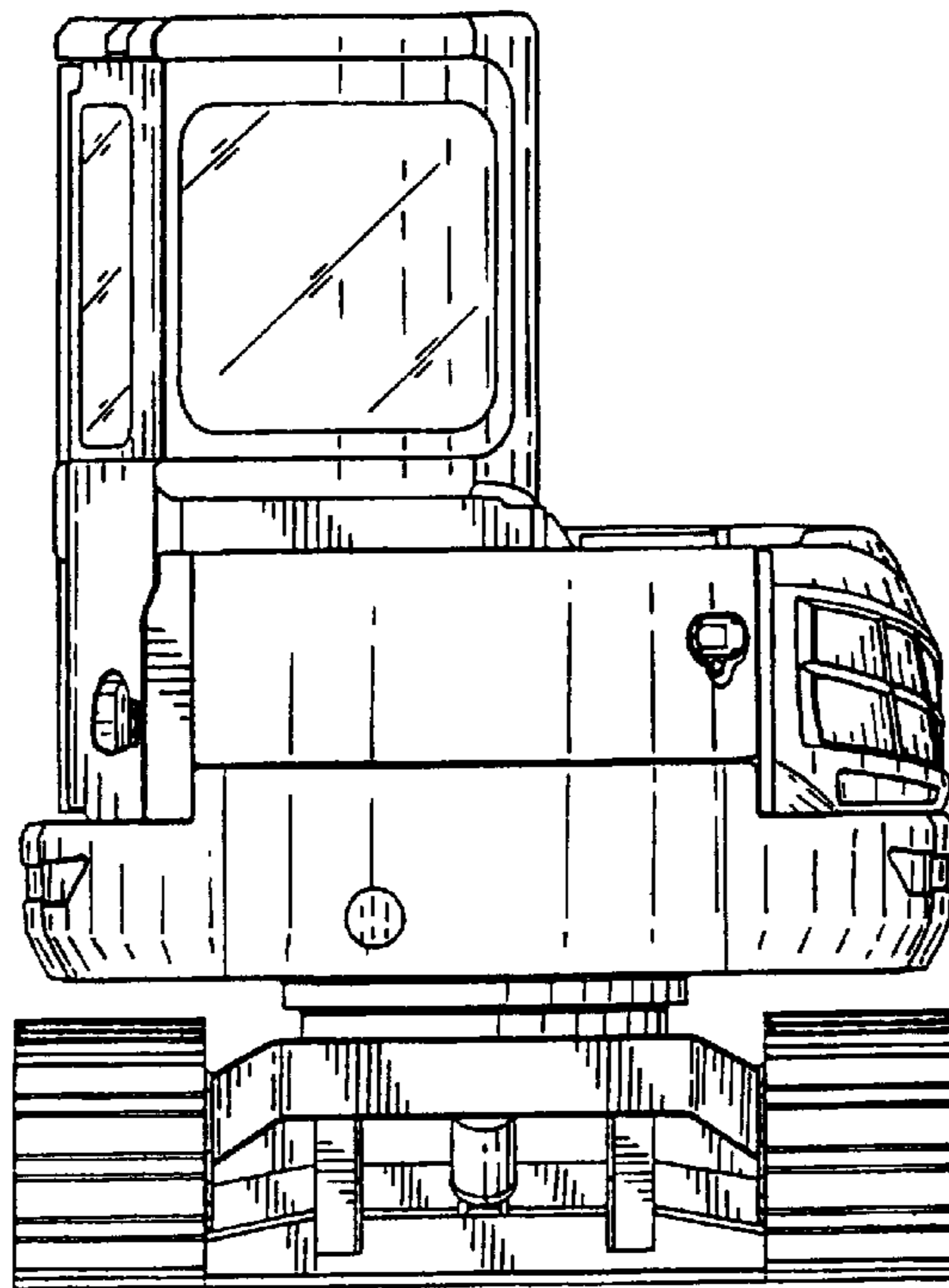


FIG. 12

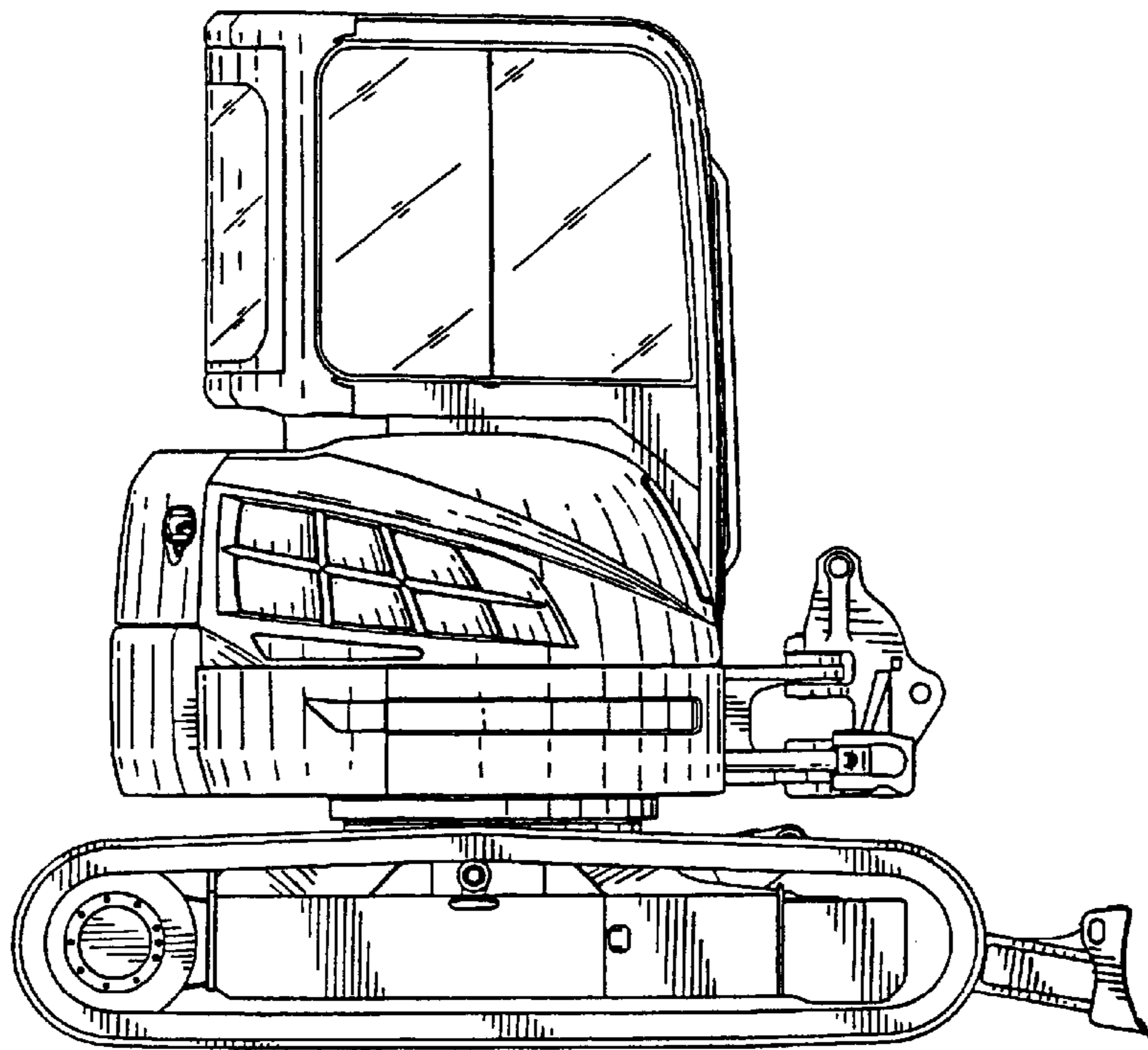


FIG. 13

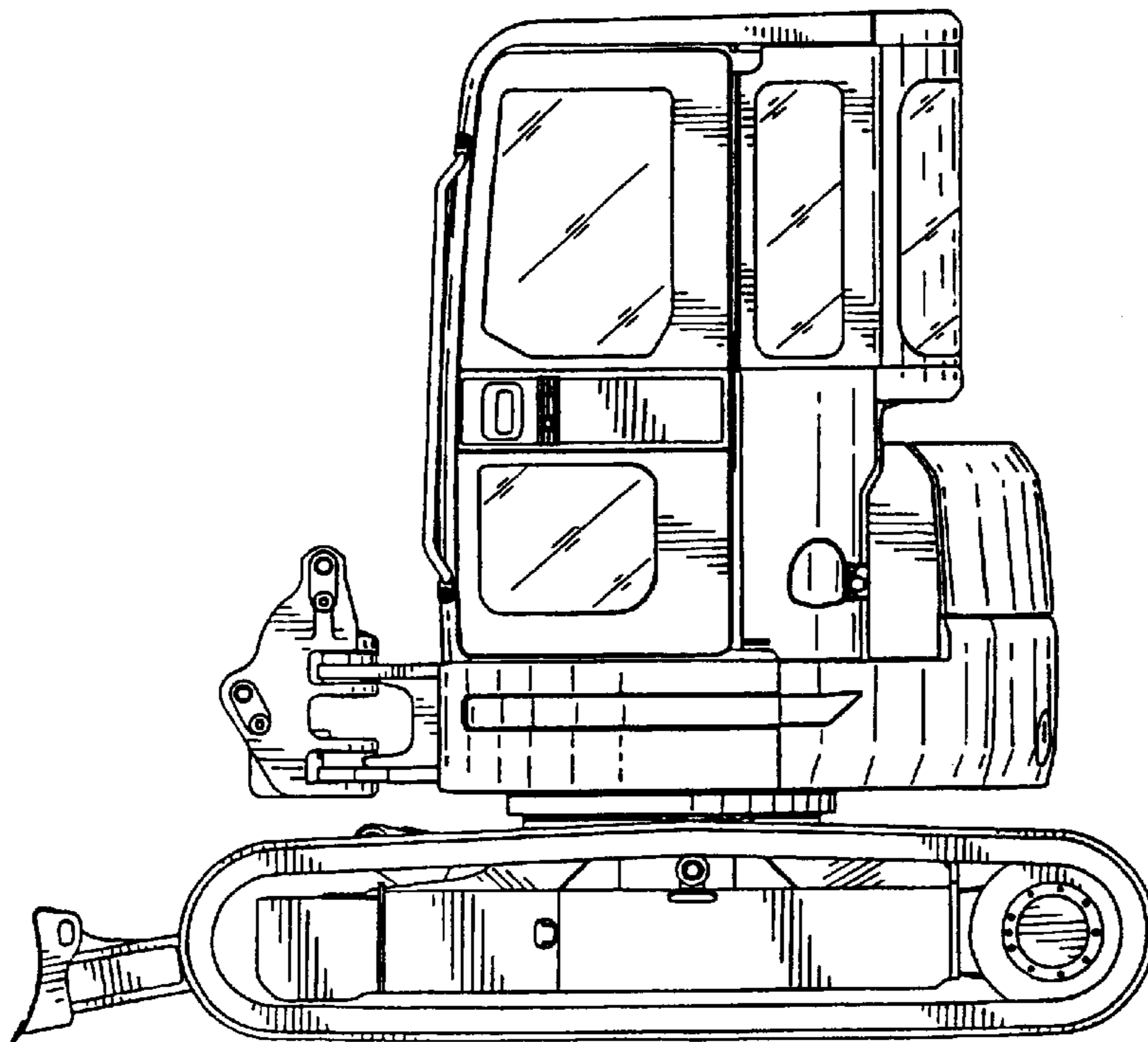


FIG. 14

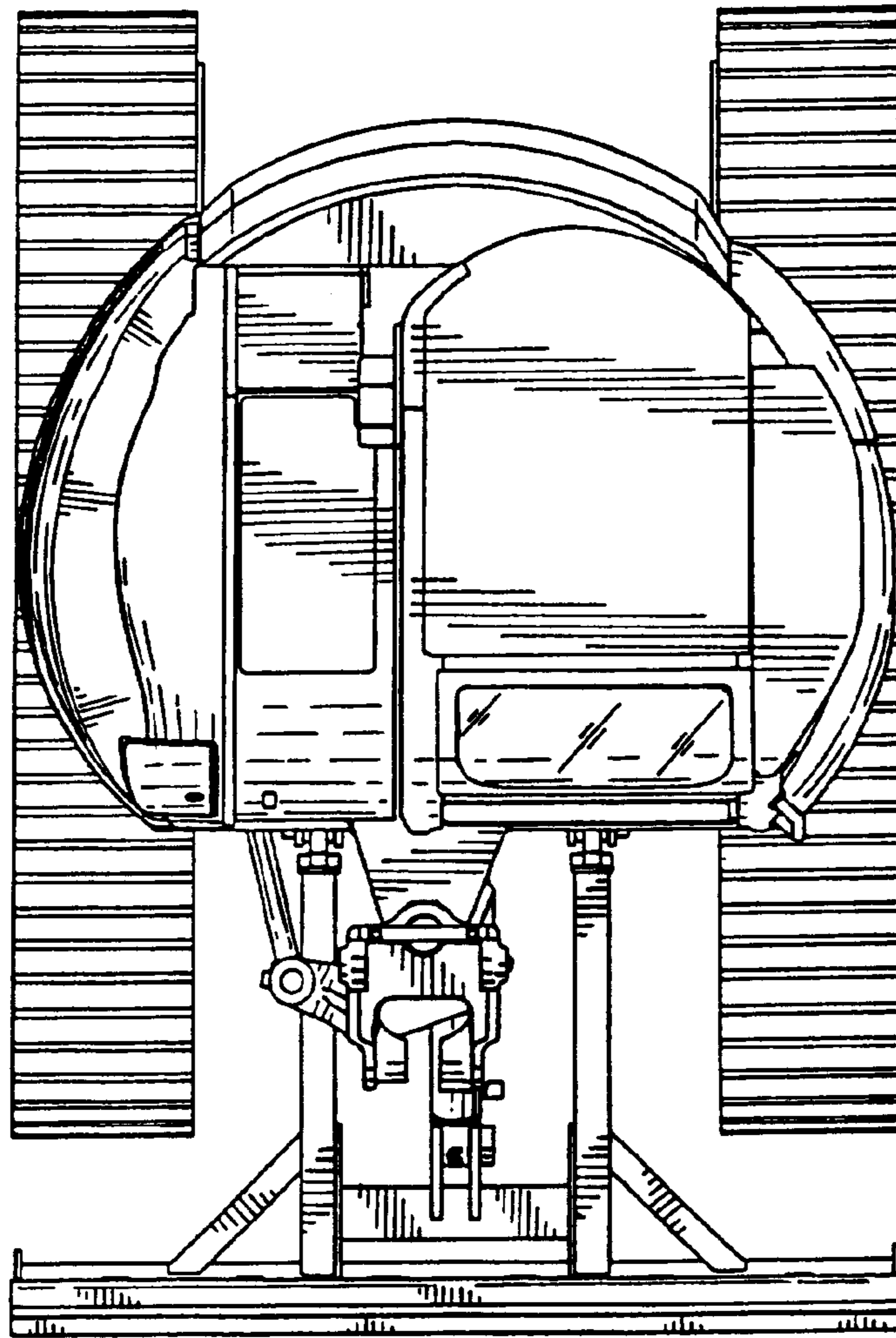


FIG. 15