

US00D508496S

(12) **United States Design Patent**  
**Grant**

(10) **Patent No.:** **US D508,496 S**

(45) **Date of Patent:** **\*\* Aug. 16, 2005**

(54) **CARBURETOR**

(76) **Inventor:** **Barry S. Grant**, Rte. 1 P.O. Box 1900,  
Dahlonega, GA (US) 30533

(\*\*) **Term:** **14 Years**

(21) **Appl. No.:** **29/185,106**

(22) **Filed:** **Jun. 23, 2003**

**Related U.S. Application Data**

(63) Continuation-in-part of application No. 29/170,101, filed on  
Oct. 31, 2002, now abandoned.

(51) **LOC (8) Cl.** ..... **15-01**

(52) **U.S. Cl.** ..... **D15/6**

(58) **Field of Search** ..... D15/6, 51; 123/474,  
123/478; 261/18.3, 23.2

(56) **References Cited**

**U.S. PATENT DOCUMENTS**

D200,561 S	*	3/1965	Phiollips	.....	D15/6
D200,829 S	*	4/1965	Lebeda	.....	D15/6
3,957,930 A	*	5/1976	Birmingham	.....	261/44.3
4,348,338 A	*	9/1982	Martinez et al.	.....	261/142
5,283,011 A		2/1994	McClintic et al.	.....	261/23.2
5,667,730 A		9/1997	Barfield	.....	261/18.3
5,807,512 A		9/1998	Grant	.....	261/23.2
5,809,972 A		9/1998	Grant	.....	123/478
5,863,470 A		1/1999	Grant	.....	261/23.2
D447,147 S	*	8/2001	Grant	.....	D15/6

**OTHER PUBLICATIONS**

“Demon” advertisement brochure, 26 pages.

“Technical Manual & Catalog”, BG Fuel Systems, vol. 7, 44  
pages.

\* cited by examiner

*Primary Examiner*—Joel A. Sincavage

*Assistant Examiner*—Maurice Stevens

(74) *Attorney, Agent, or Firm*—Thomas, Kayden,  
Horstemeyer & Risley, LLP

(57) **CLAIM**

The ornamental design for a carburetor, as shown and  
described.

**DESCRIPTION**

FIG. 1 is an isometric view of the carburetor, showing the  
top, front and right side thereof;

FIG. 2 is a front elevational view thereof;

FIG. 3 is a rear view thereof;

FIG. 4 is a left side view thereof;

FIG. 5 is a right side view thereof;

FIG. 6 is a top view thereof; and

FIG. 7 is a bottom view thereof.

FIG. 8 is an isometric view of another embodiment of the  
carburetor, showing the top, front and right side thereof;

FIG. 9 is a front elevational view thereof;

FIG. 10 is a rear view thereof;

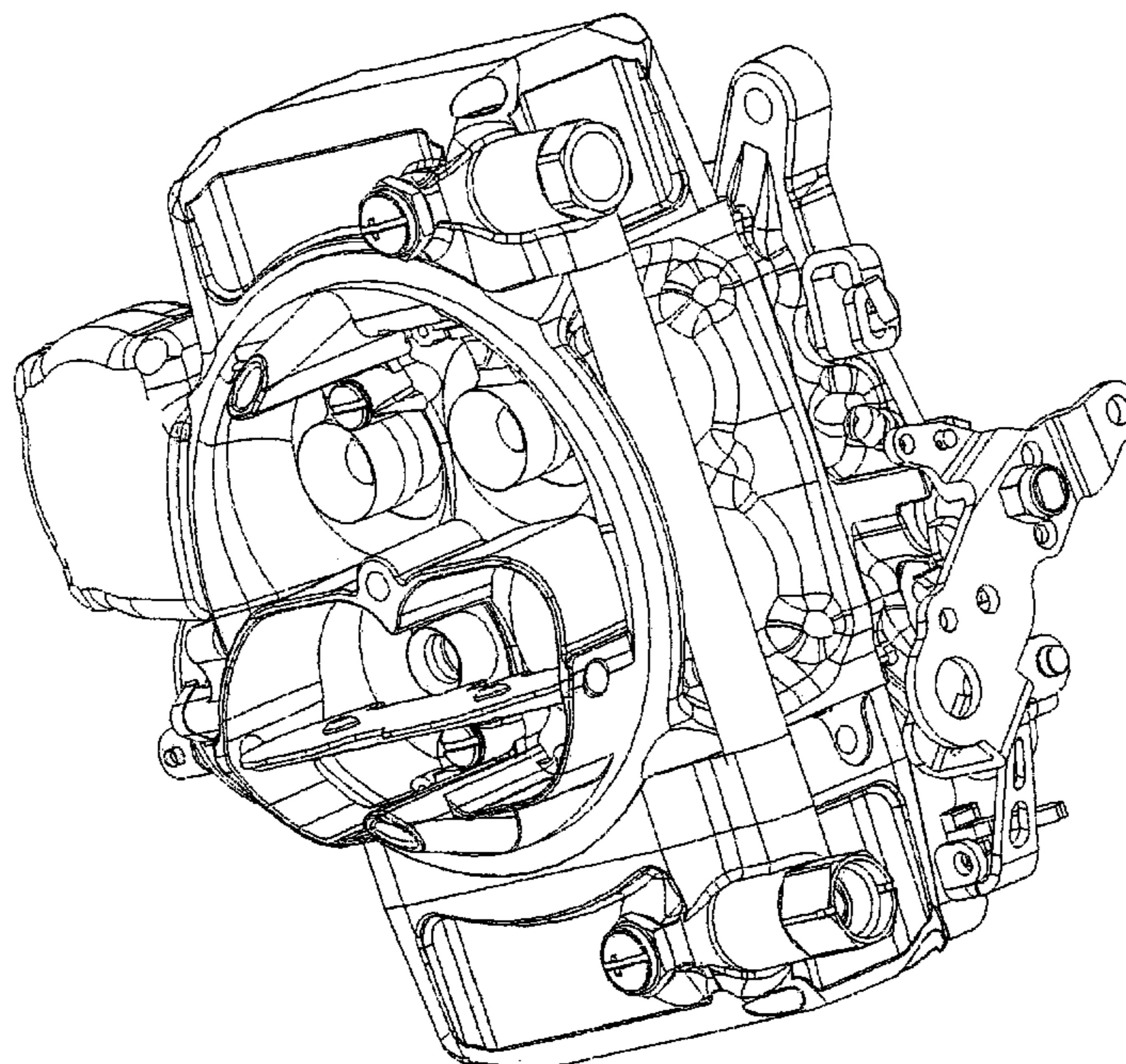
FIG. 11 is a left side view thereof;

FIG. 12 is a right side view thereof;

FIG. 13 is a top view thereof; and,

FIG. 14 is a bottom view thereof.

**1 Claim, 14 Drawing Sheets**



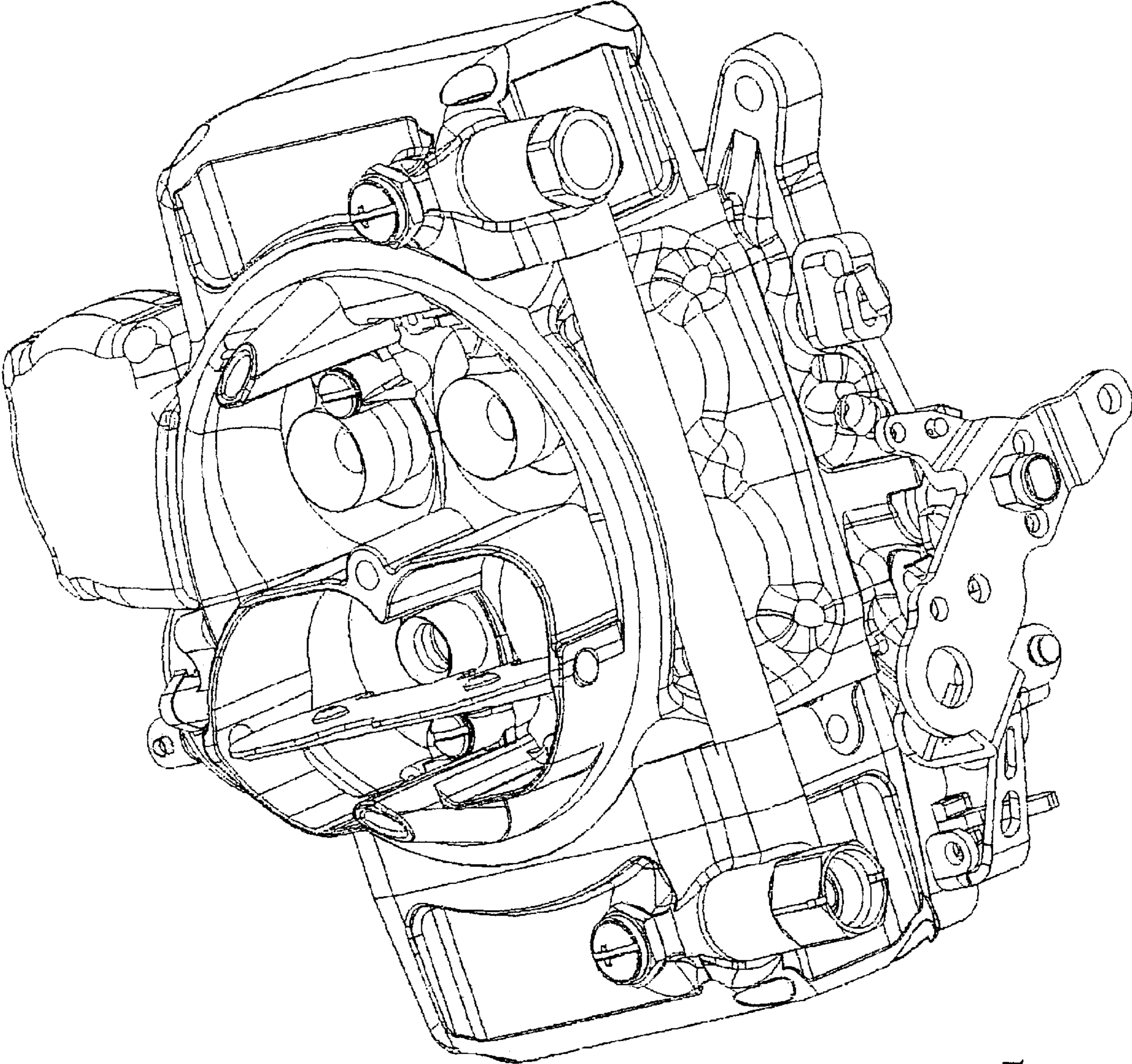


FIG. 1

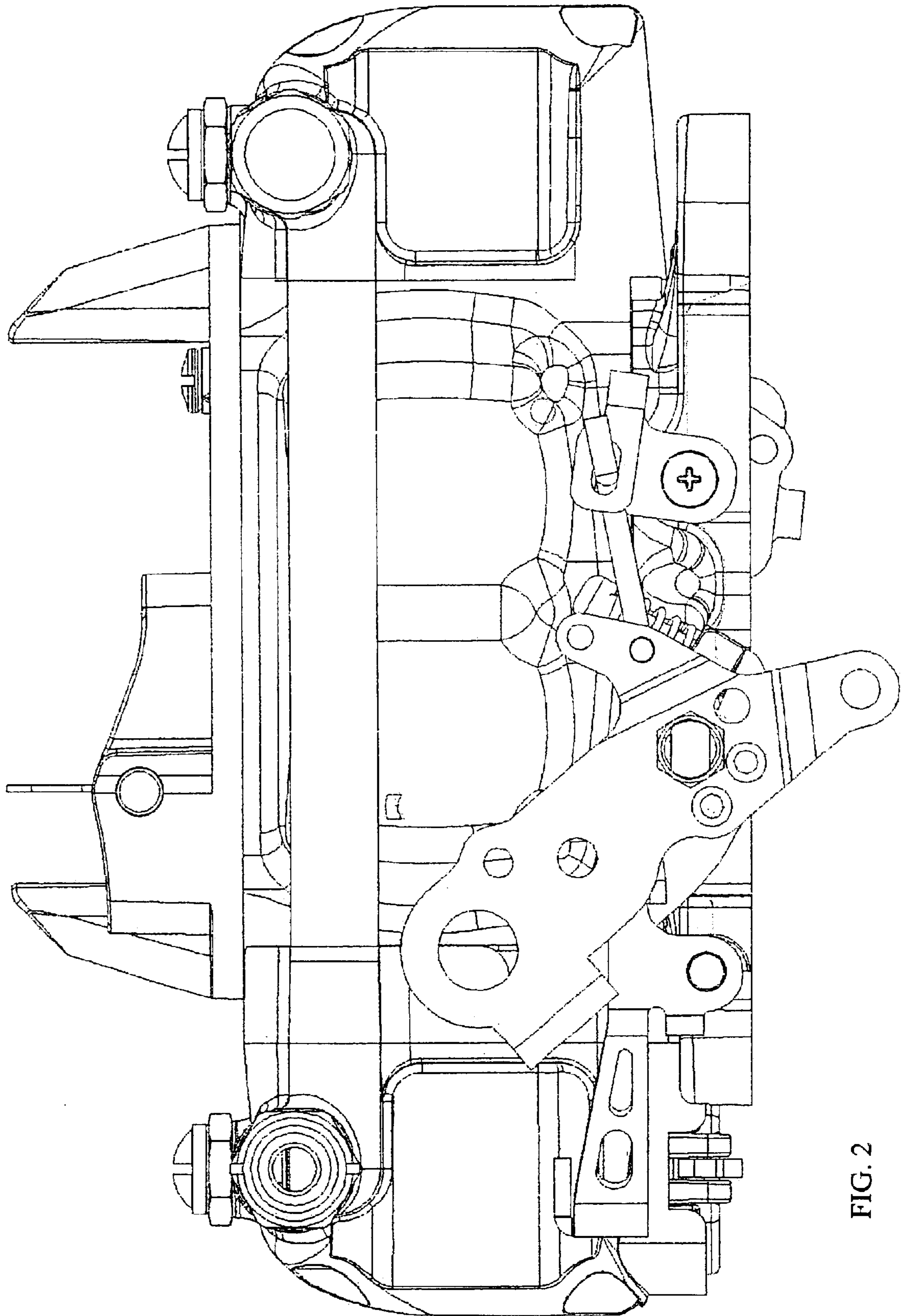


FIG. 2

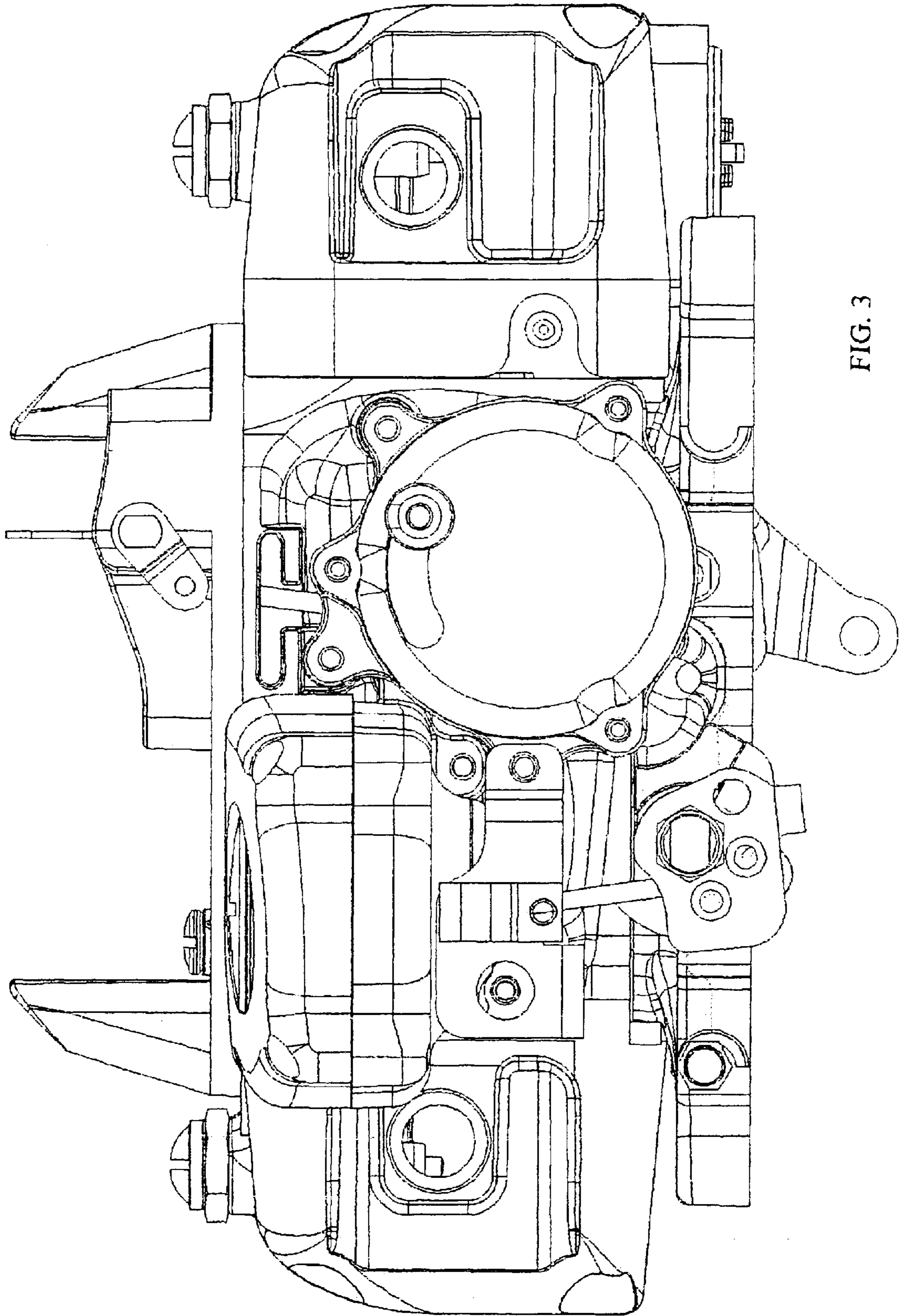


FIG. 3

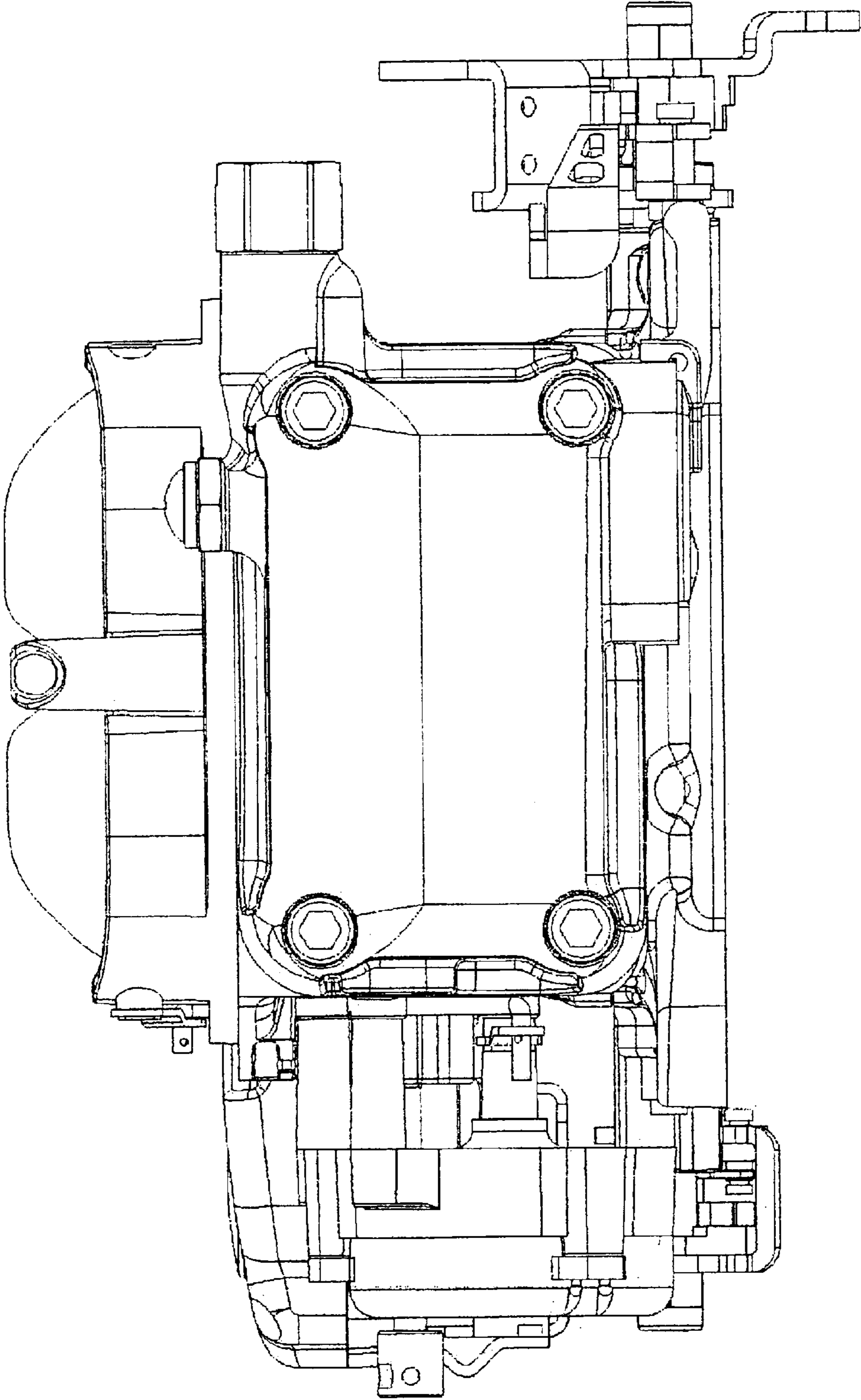


FIG. 4

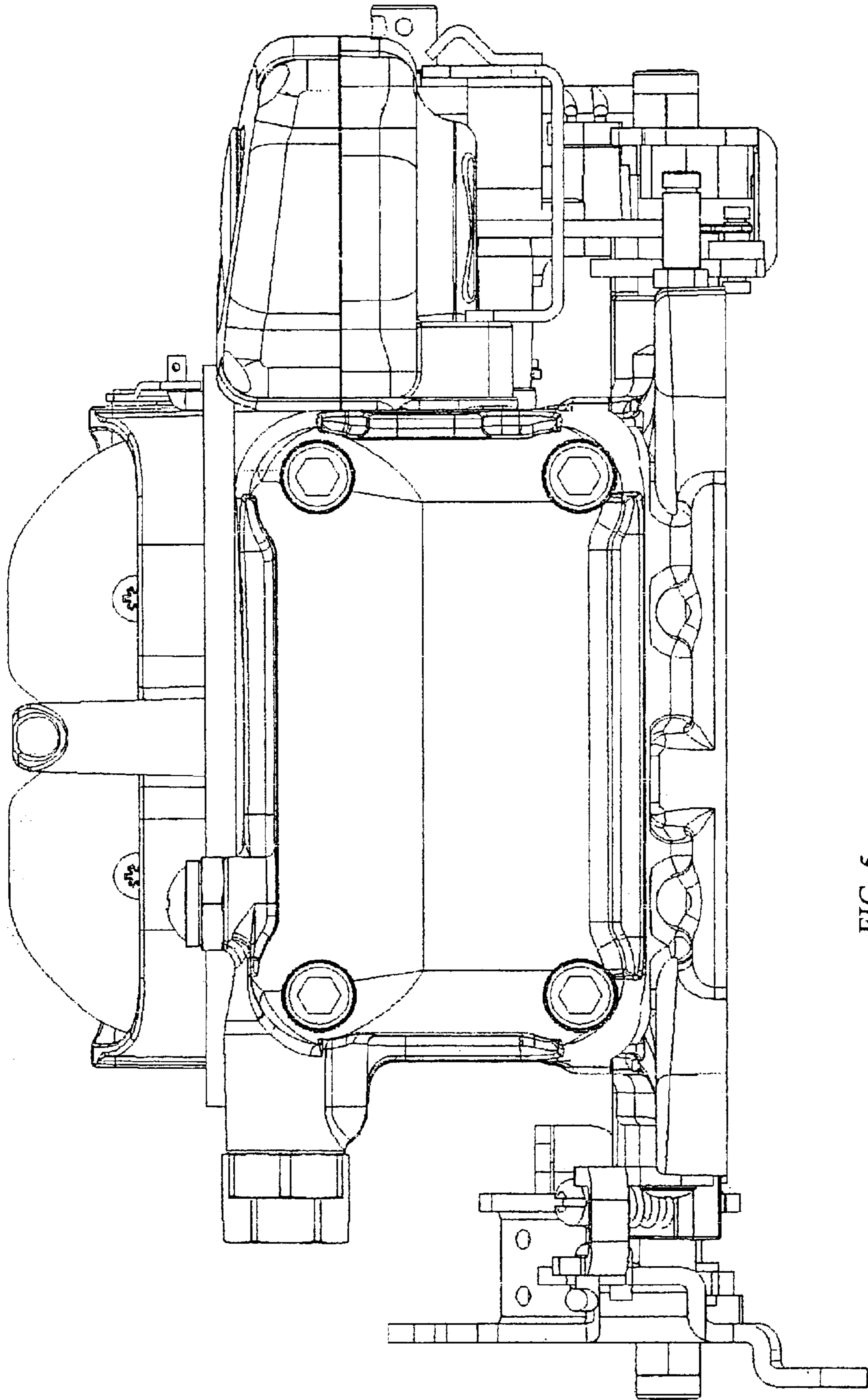


FIG. 5

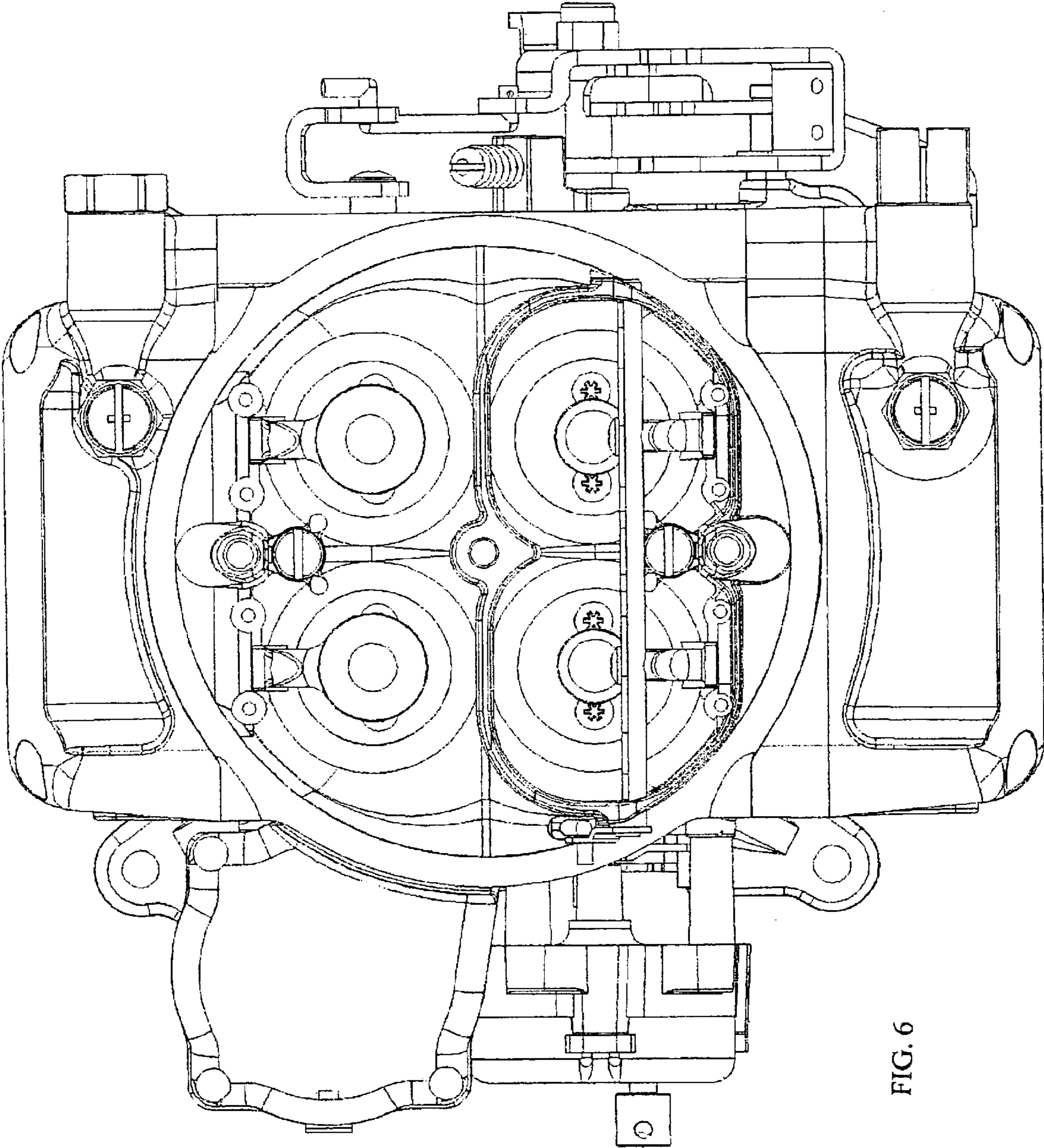


FIG. 6

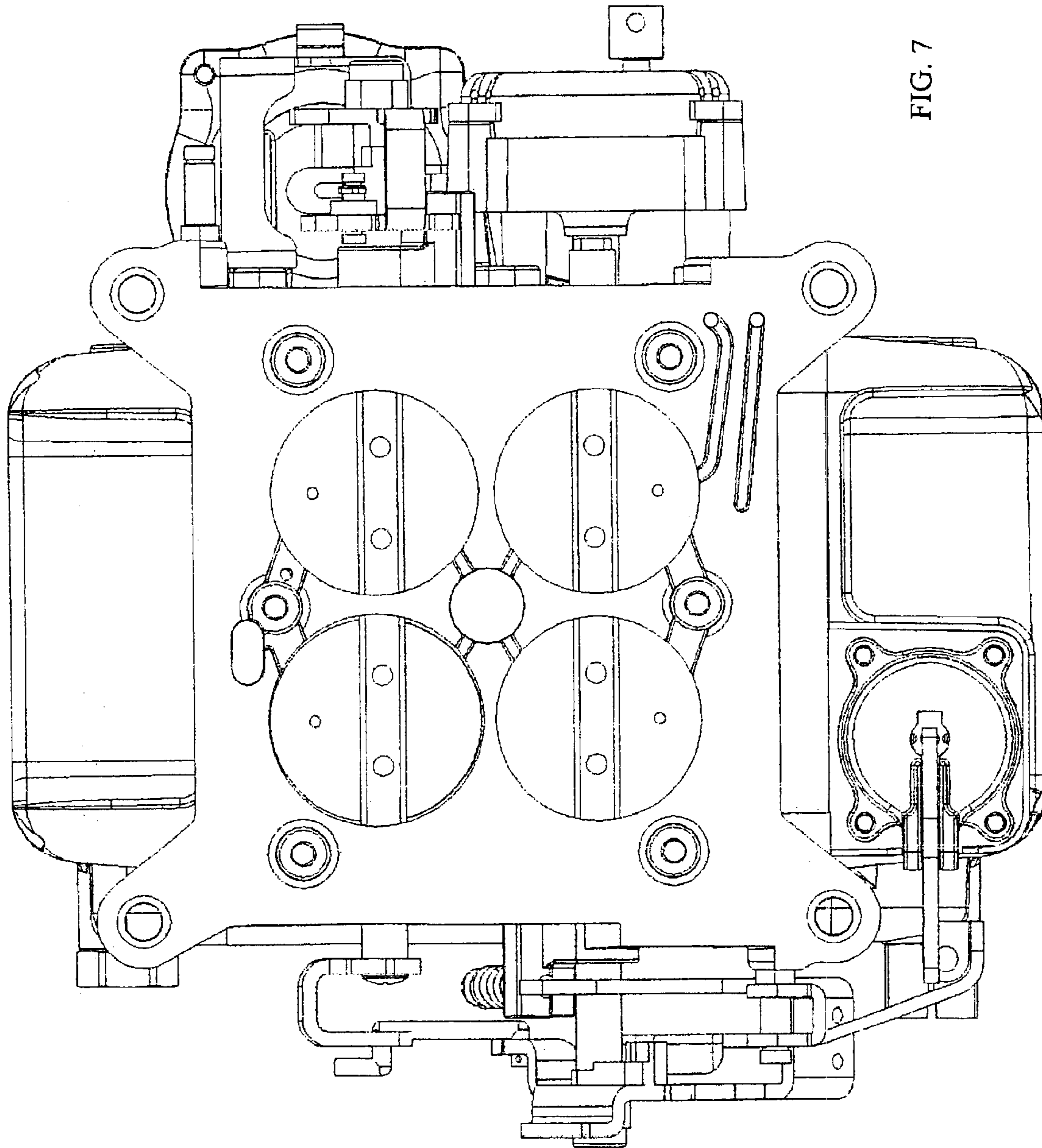


FIG. 7



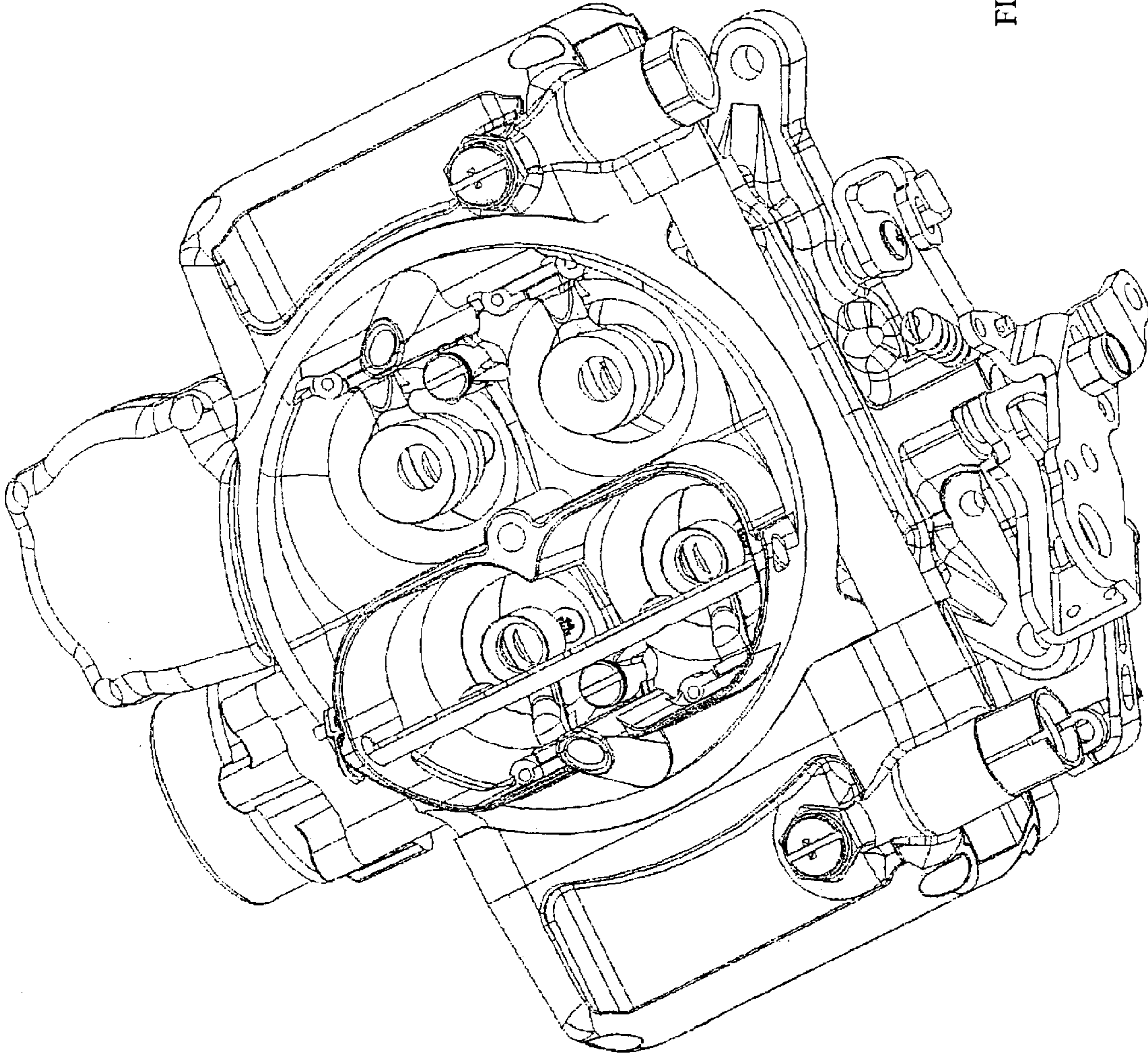


FIG. 8

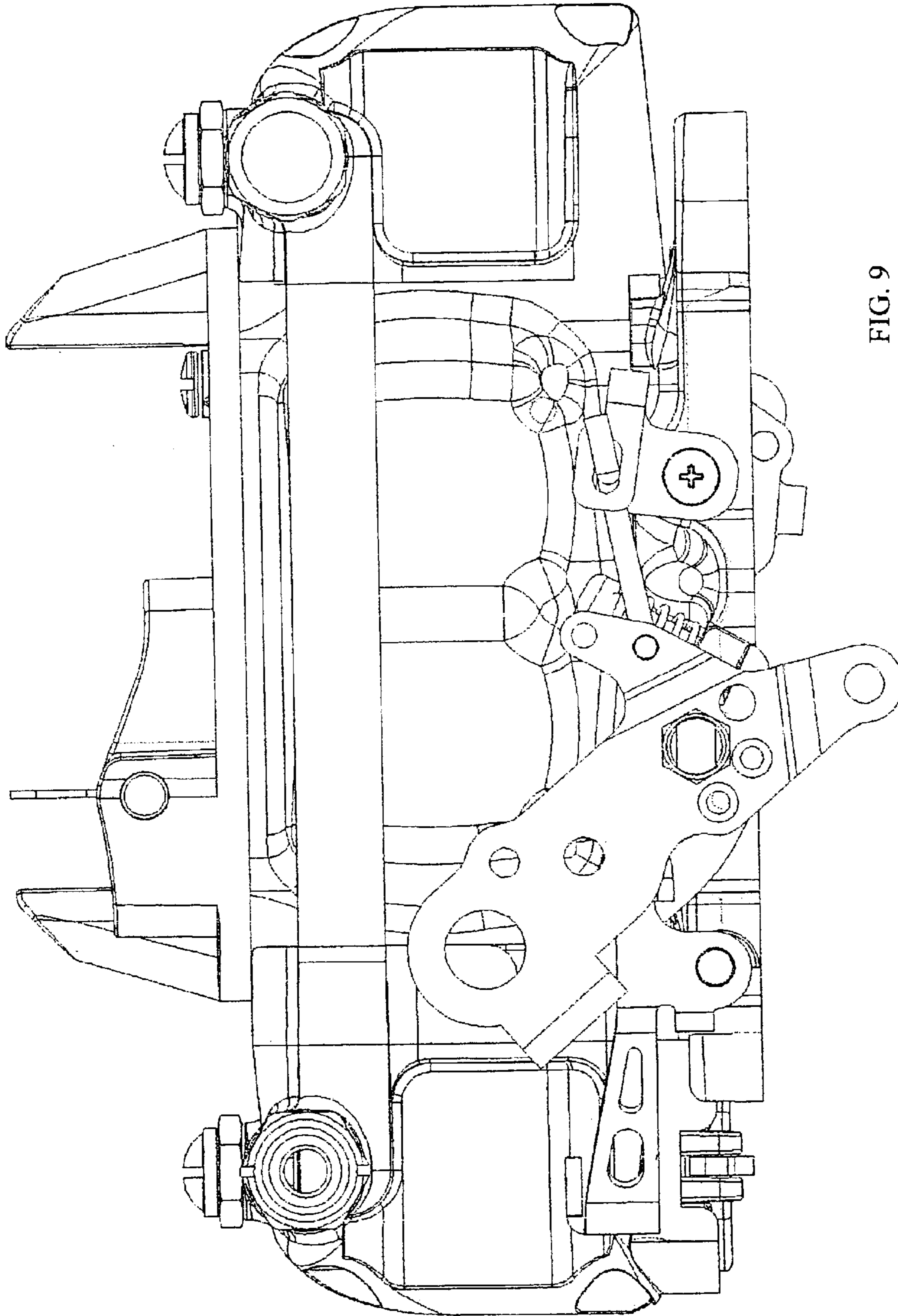


FIG. 9

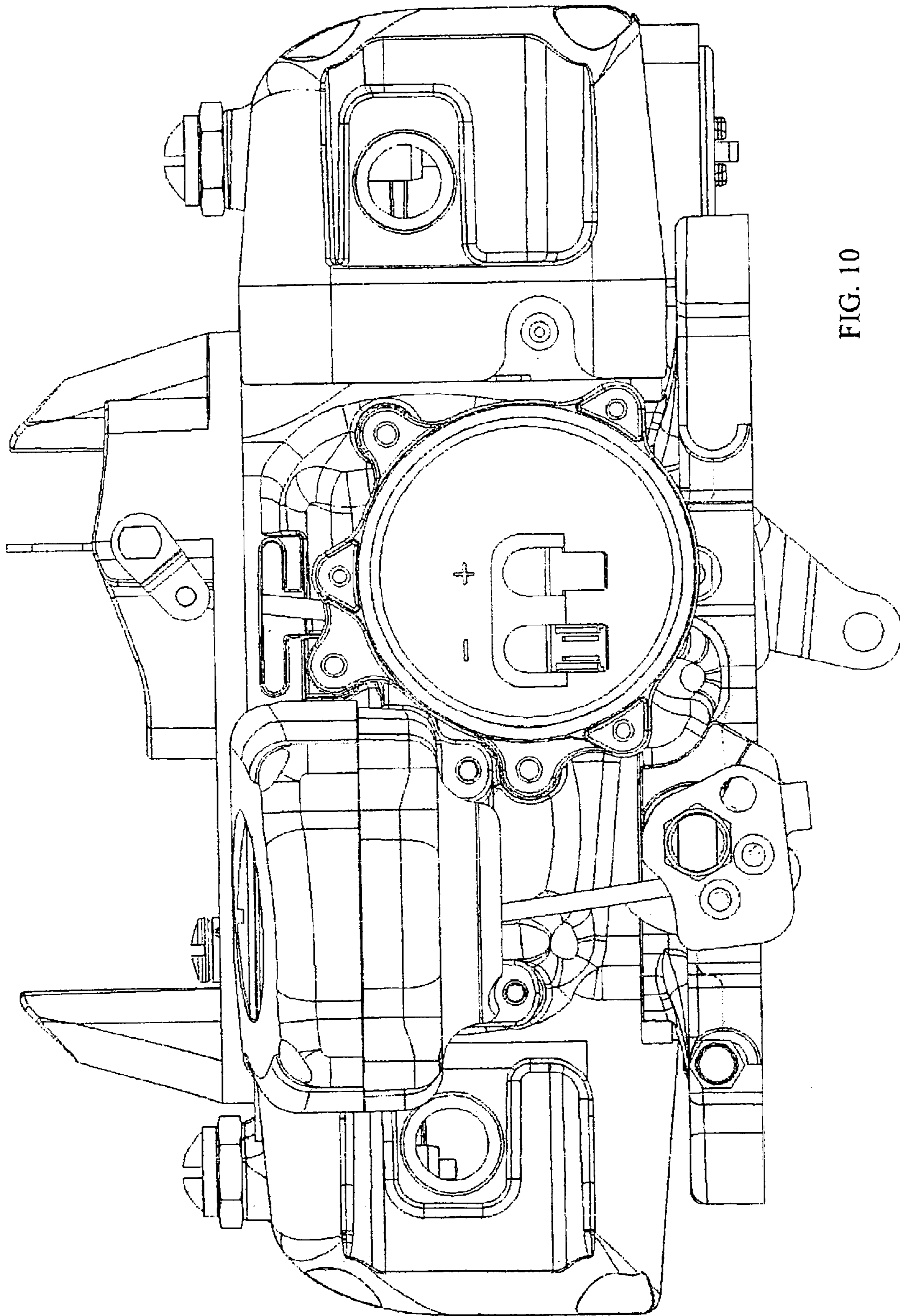


FIG. 10

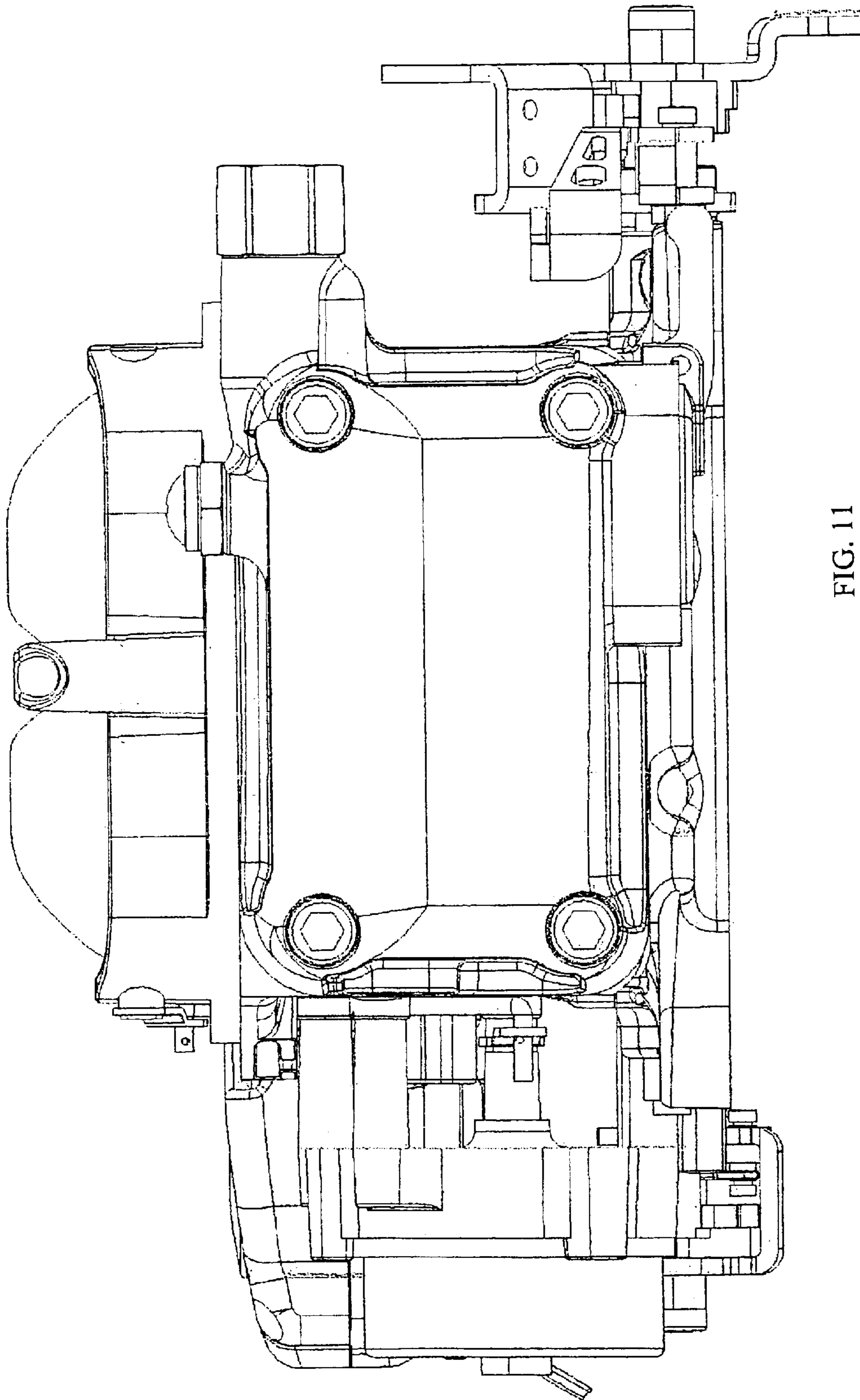


FIG. 11

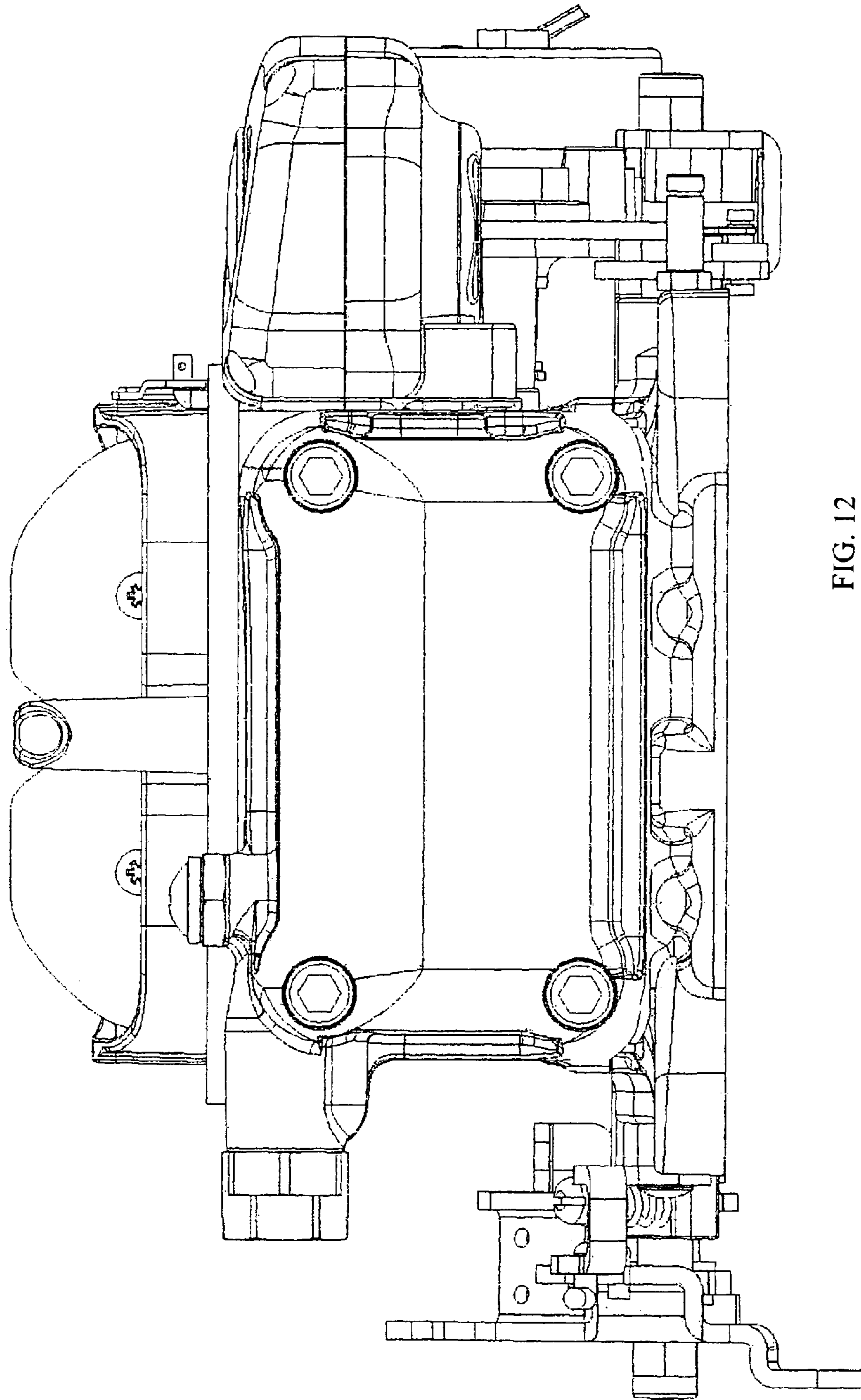


FIG. 12

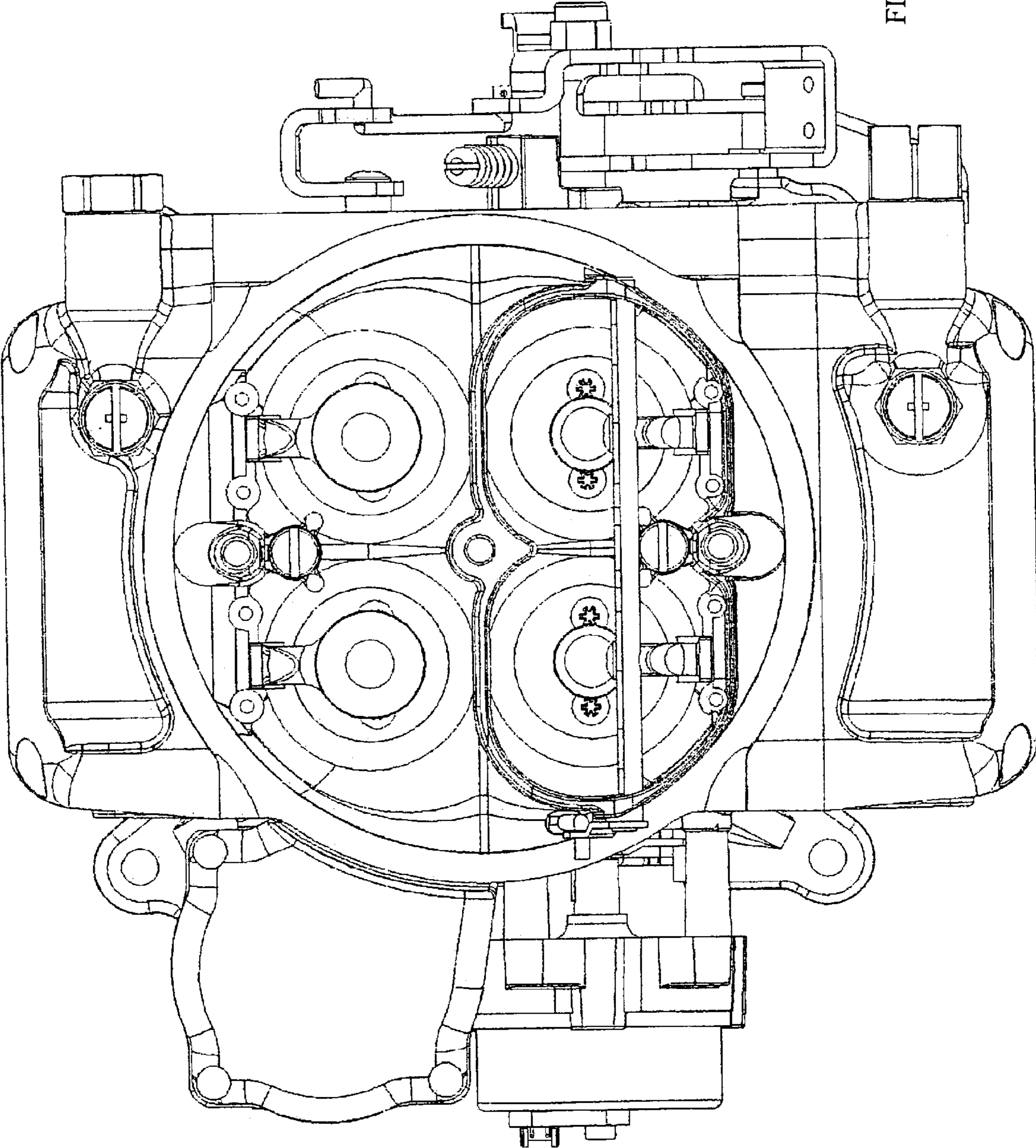


FIG. 13

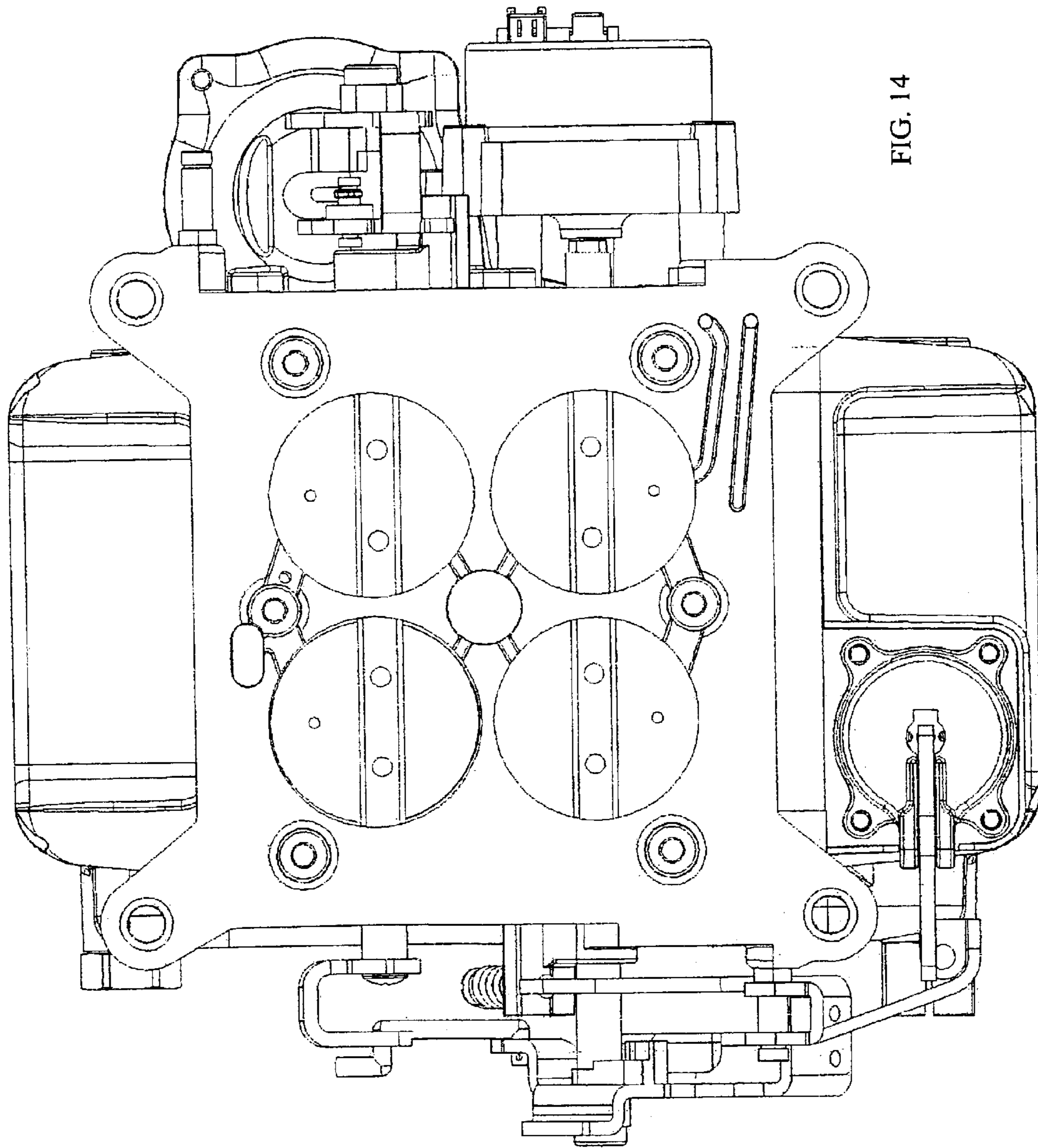


FIG. 14