



US00D508495S

(12) **United States Design Patent**
Bone et al.

(10) **Patent No.: US D508,495 S**

(45) **Date of Patent: ** Aug. 16, 2005**

(54) **MEDIA DEVICE**

(75) Inventors: **Eric Bone**, San Mateo, CA (US);
Wesley G. Brewer, Menlo Park, CA
(US); **Jeffrey Allen Salazar**, Palo Alto,
CA (US); **Glenn Alwyn Wong**,
Mountain View, CA (US)

(73) Assignee: **SanDisk Corporation**, Sunnyvale, CA
(US)

(**) Term: **14 Years**

(21) Appl. No.: **29/206,850**

(22) Filed: **Jun. 2, 2004**

(51) **LOC (8) Cl. 14-03**

(52) **U.S. Cl. D14/496**

(58) **Field of Search** D14/496, 125,
D14/137, 159, 160, 474, 435; 273/148 B;
700/94; 710/62.63, 100; 365/189.05; 348/231.3,
231.4; 463/40-47; 206/308.1, 307, 308.3;
369/2, 24, 25; 370/342-344

(56) **References Cited**

U.S. PATENT DOCUMENTS

5,192,082	A	*	3/1993	Inoue et al.	463/44
5,452,180	A	*	9/1995	Register et al.	361/686
5,563,400	A	*	10/1996	Le Roux	235/486
6,122,526	A	*	9/2000	Parulski et al.	455/556.1
D469,109	S	*	1/2003	Jobs et al.	D14/496
6,671,567	B1	*	12/2003	Dwyer et al.	700/94
D496,944	S	*	10/2004	Huang	D14/496
D499,424	S	*	12/2004	Bahroocha	D14/496
D501,485	S	*	2/2005	Lian et al.	D14/496

* cited by examiner

Primary Examiner—Prabhakar Deshmukh
(74) *Attorney, Agent, or Firm*—Beyer Weaver & Thomas,
LLP

(57) **CLAIM**

We claim the ornamental design for a media device, sub-
stantially as shown and described.

DESCRIPTION

FIG. 1 is a perspective view of a media device in accordance
with the present design.

FIG. 2 is a top view for a media device in accordance with
the present design.

FIG. 3 is a bottom view for a media device in accordance
with the present design.

FIG. 4 is a right side view for a media device in accordance
with the present design.

FIG. 5 is a left side view for a media device in accordance
with the present design.

FIG. 6 is a front view for a media device in accordance with
the present design.

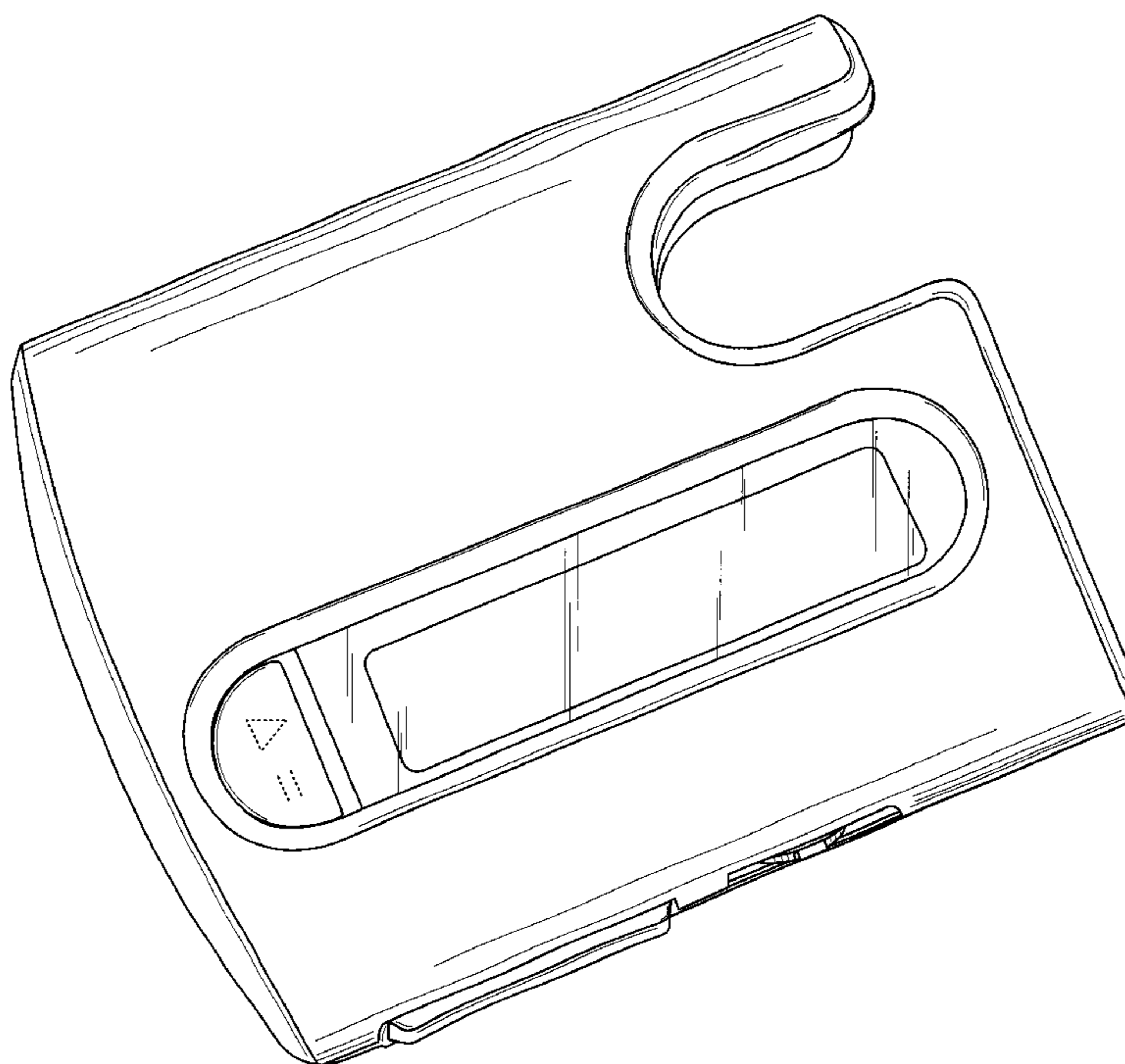
FIG. 7 is a rear view for a media device in accordance with
the present design.

FIG. 8 is perspective view of a media device showing in its
environmental use with the removable storage device shown
in the separated condition; and,

FIG. 9 is a perspective view of a media device with the
removable storage device shown in an inserted condition.

The broken lines in FIGS. 1, 2, 4, 8 and 9 are for illustrative
purpose only and form no part of the claimed design.

1 Claim, 6 Drawing Sheets



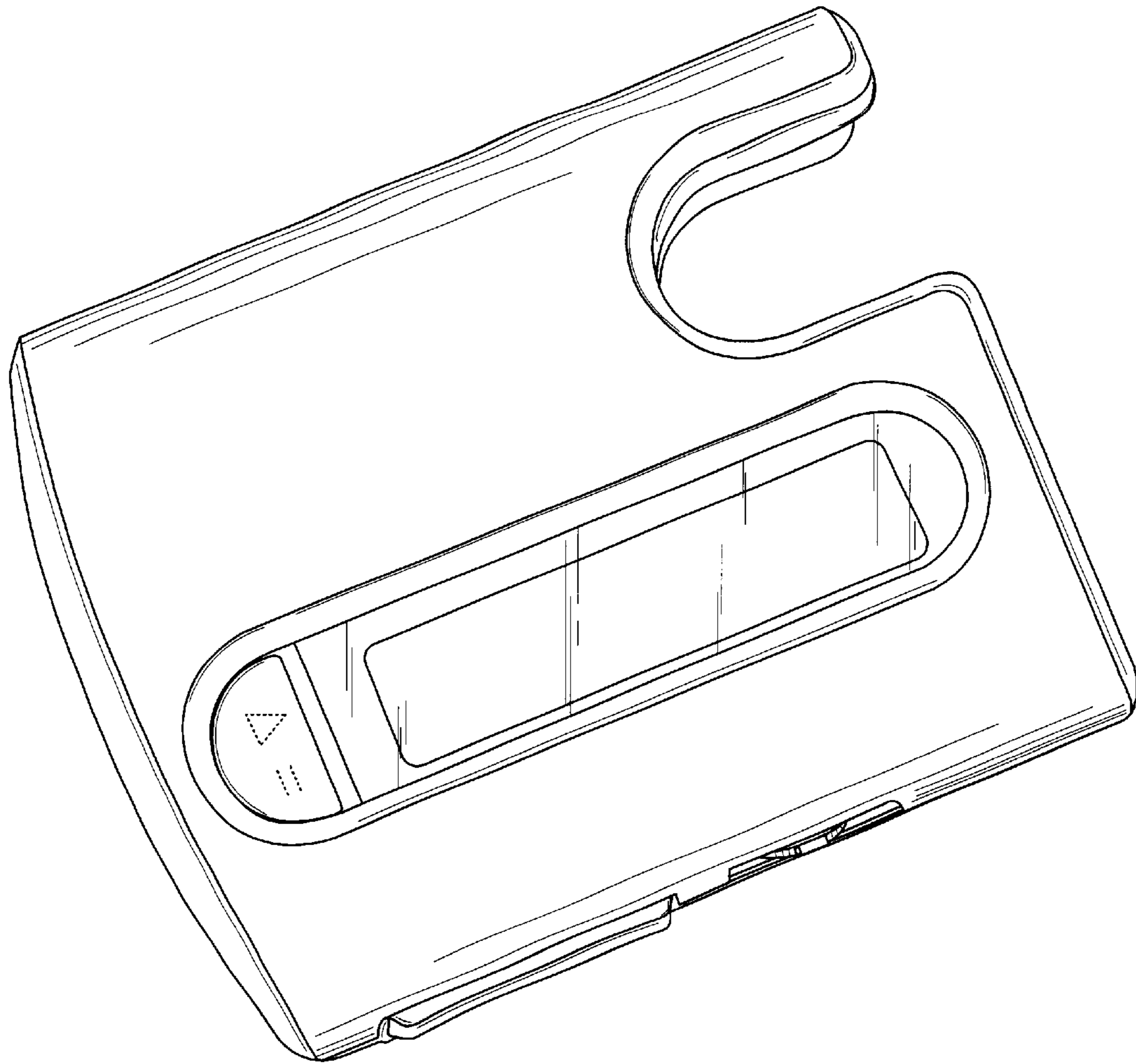


FIG. 1

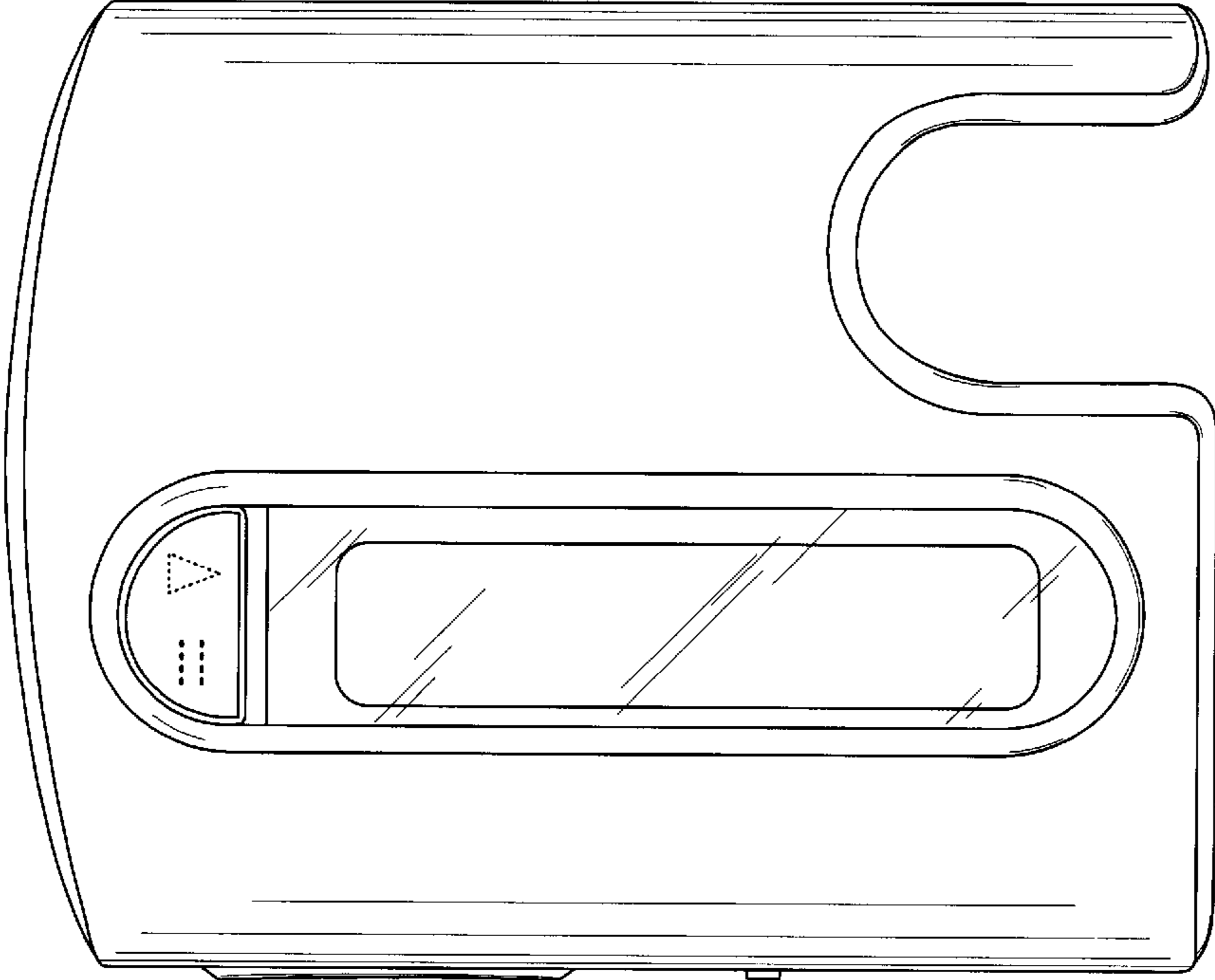


FIG. 2

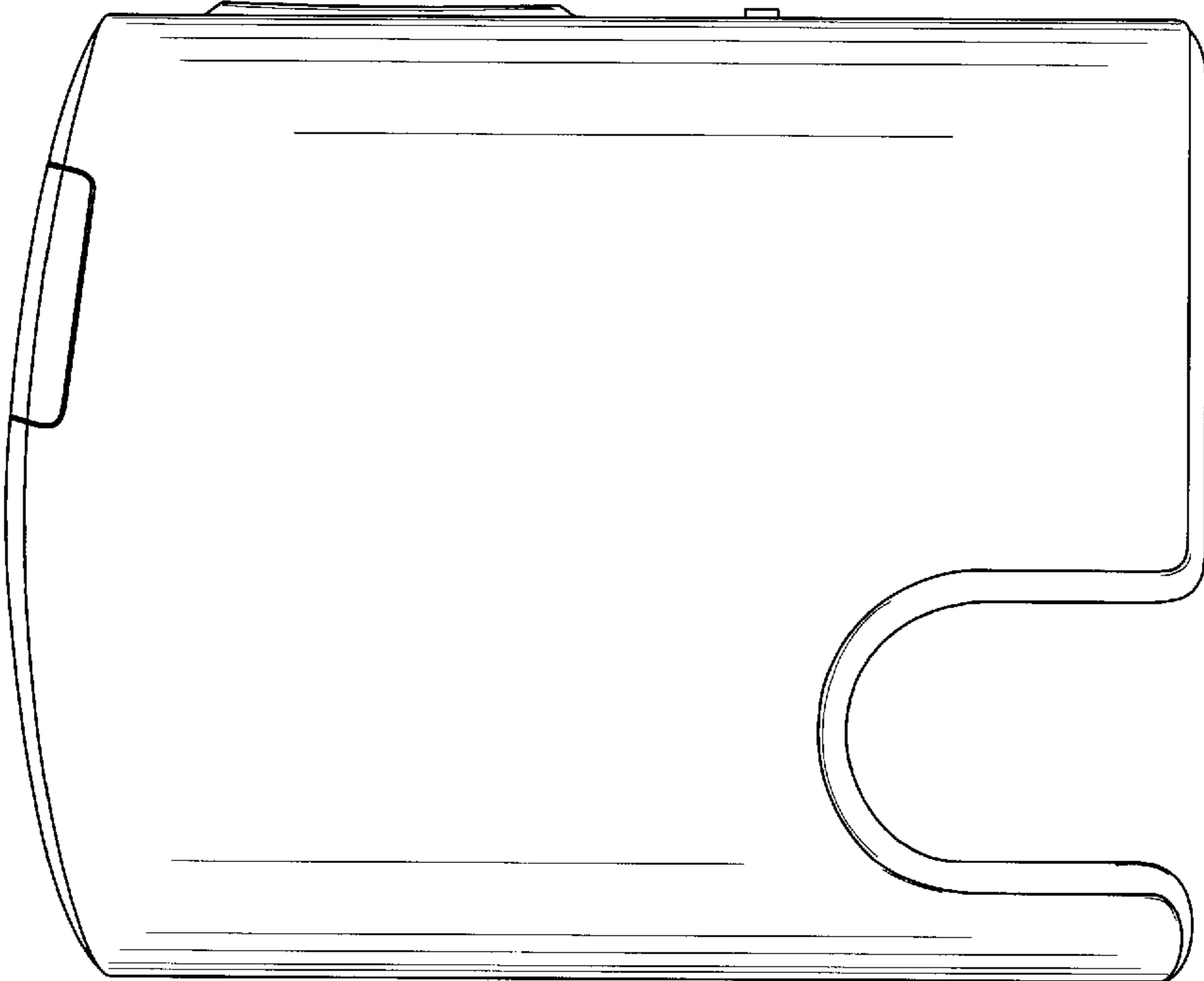


FIG. 3

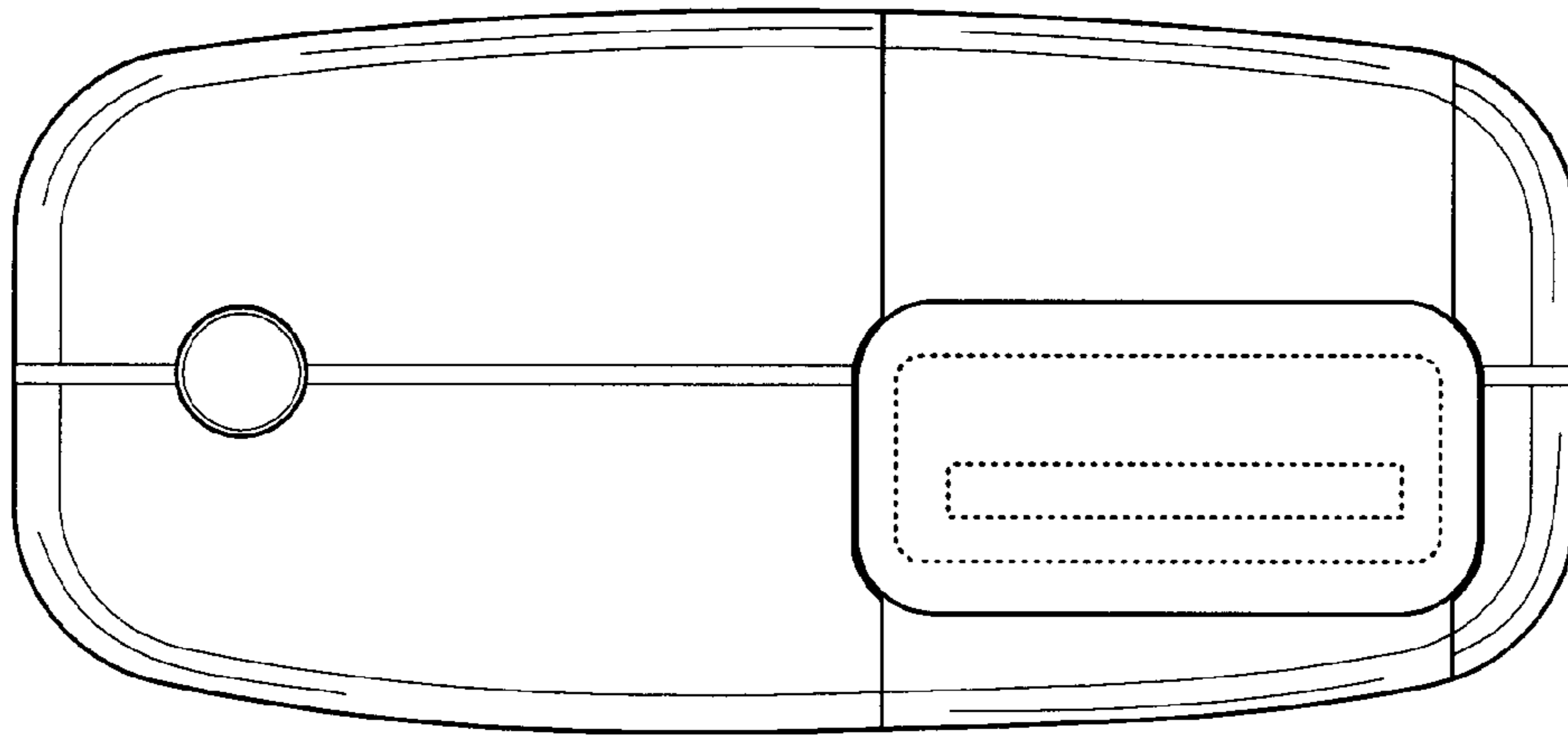


FIG. 4

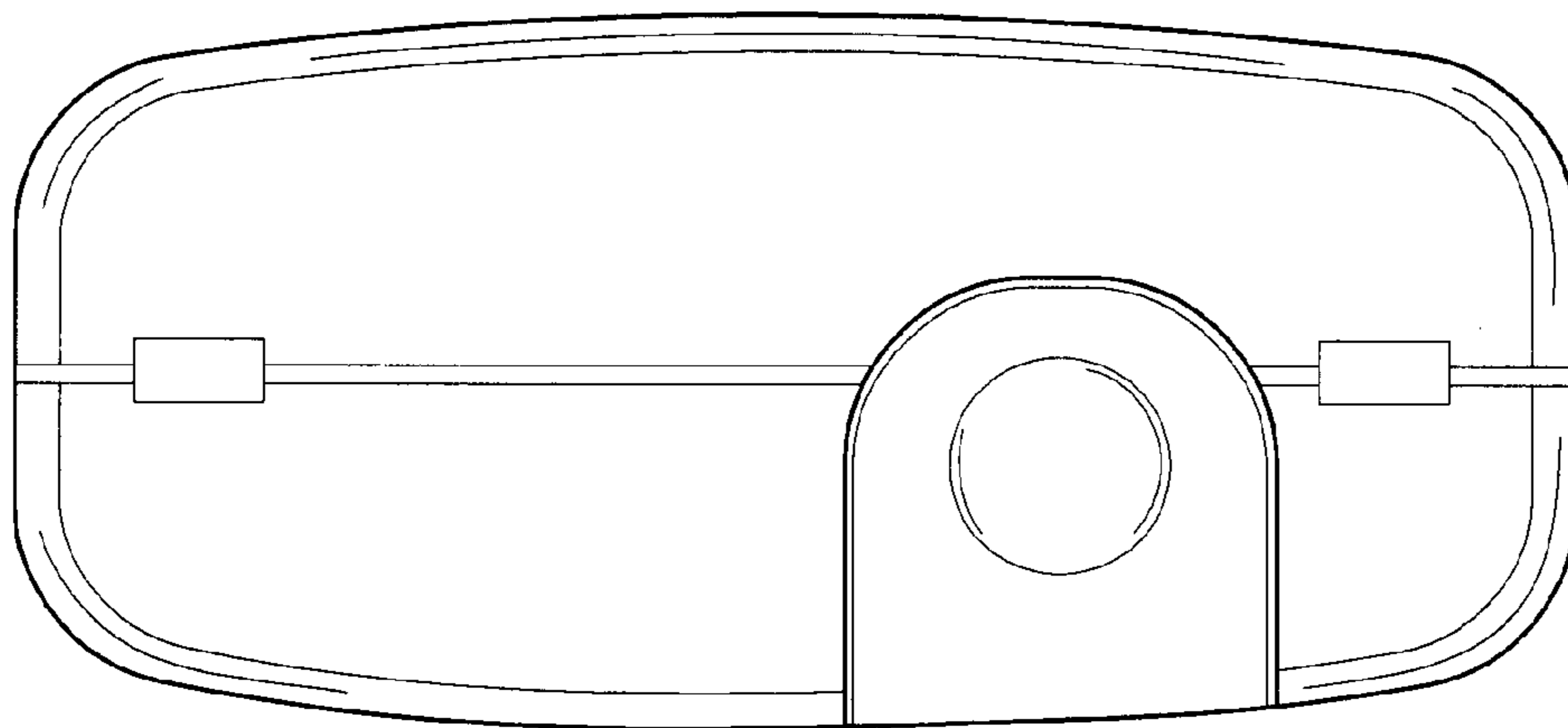


FIG. 5

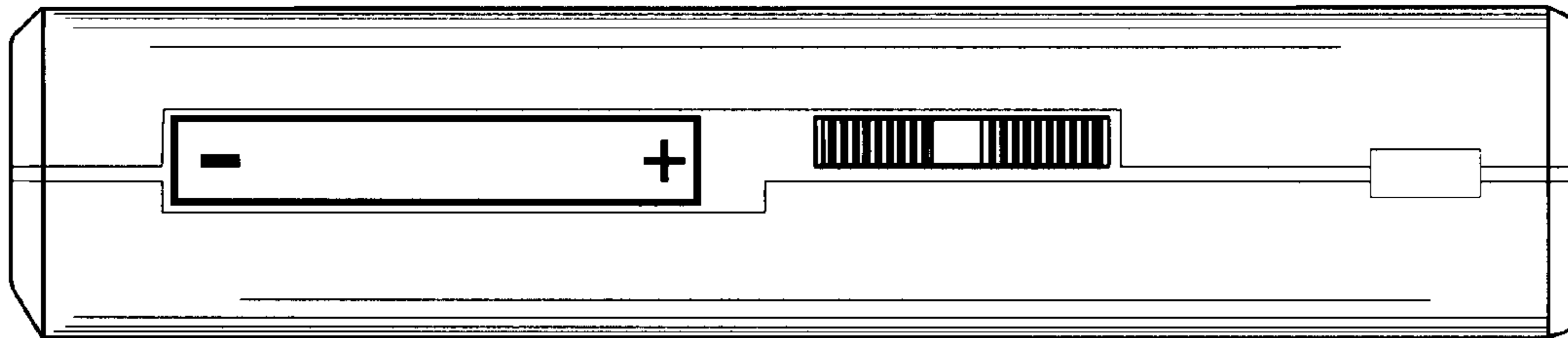


FIG. 6

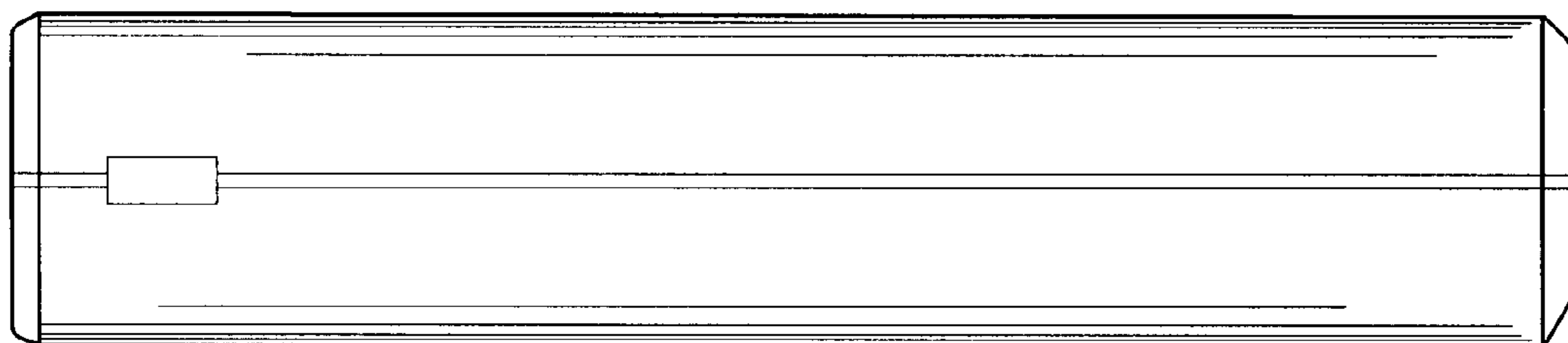


FIG. 7

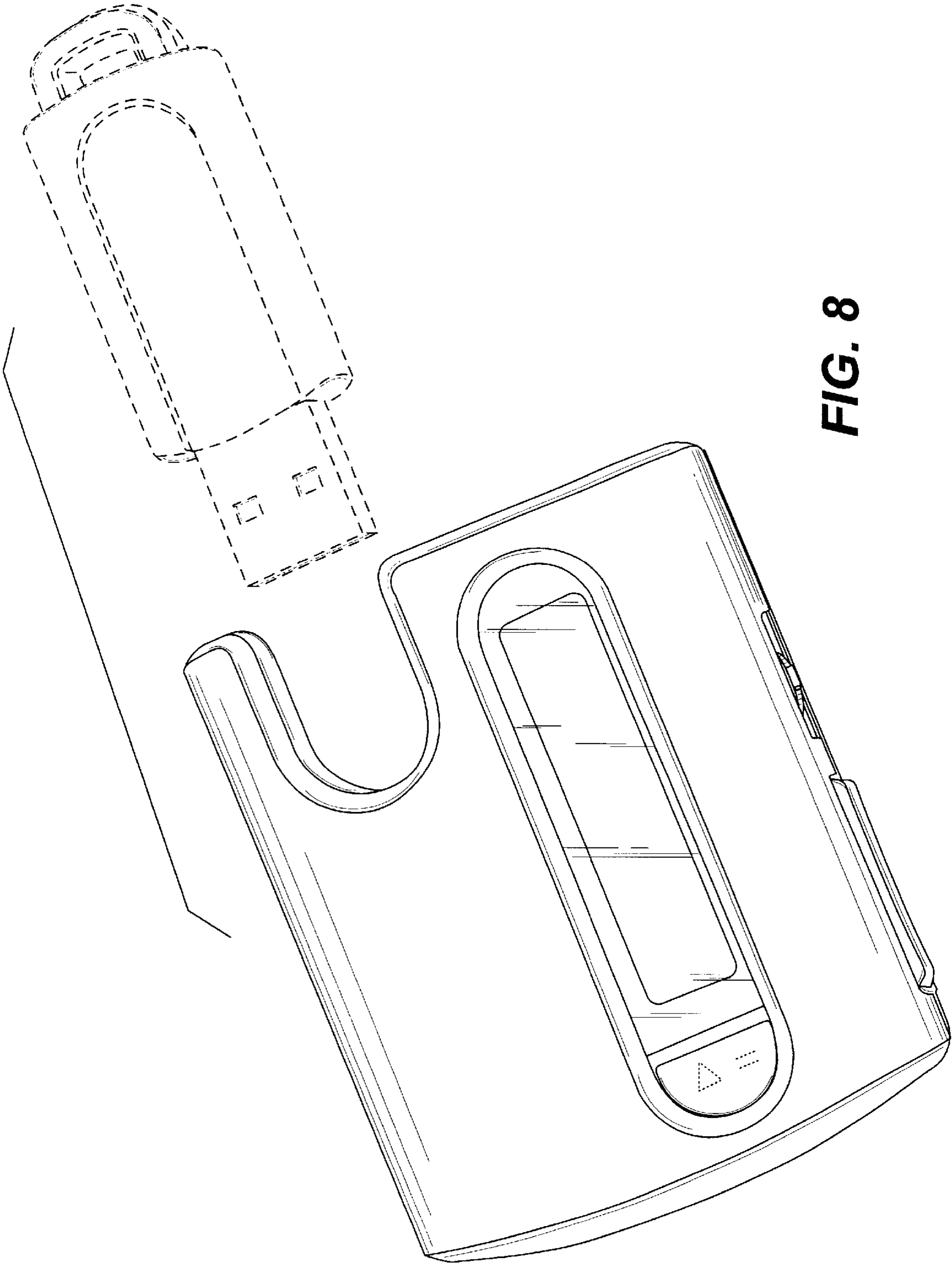


FIG. 8

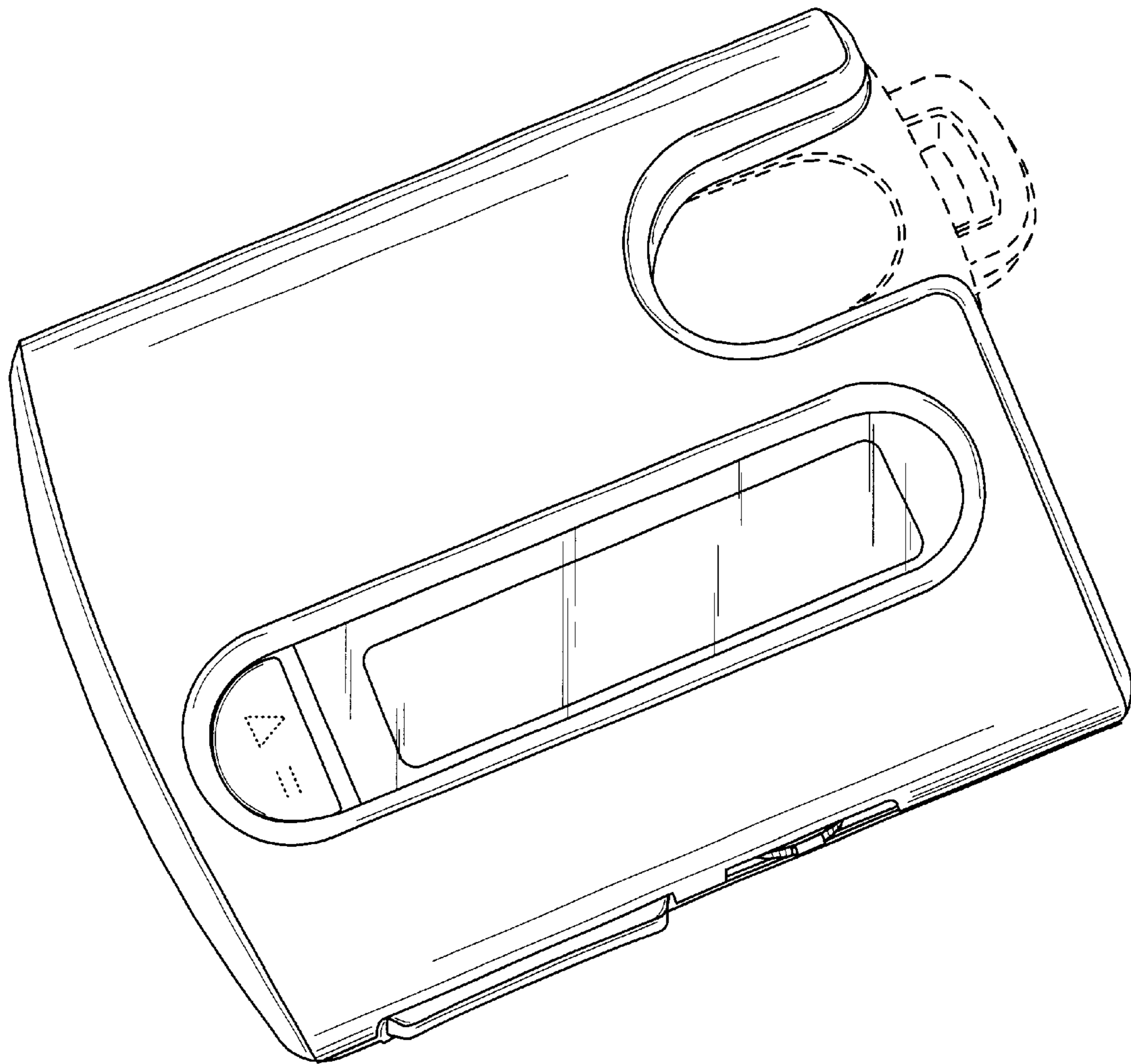


FIG. 9