

US00D508493S

(12) **United States Design Patent** (10) **Patent No.:** **US D508,493 S**  
**Liu** (45) **Date of Patent:** **\*\* Aug. 16, 2005**

(54) **COMBINED UNIVERSAL SERIAL BUS ADAPTER AND BASE**

(75) Inventor: **Calvin Y. Liu**, Irvine, CA (US)

(73) Assignee: **Cisco Technology**, San Jose, CA (US)

(\*\*) Term: **14 Years**

(21) Appl. No.: **29/207,399**

(22) Filed: **Jun. 14, 2004**

(51) **LOC (8) Cl.** ..... **14-02**

(52) **U.S. Cl.** ..... **D14/433**

(58) **Field of Search** ..... D14/432-3, 240;  
D13/101, 110, 123, 184; 439/105, 500.01,  
638, 894, 945; 369/292, 47.1

(56) **References Cited**

**U.S. PATENT DOCUMENTS**

D449,615 S	*	10/2001	Lloyd	.....	D14/433
D462,689 S	*	9/2002	Moran	.....	D14/433
D475,996 S	*	6/2003	Skulley	.....	D14/240
D477,603 S	*	7/2003	Chen	.....	D14/433
D480,398 S	*	10/2003	Lee et al.	.....	D14/391
D488,159 S	*	4/2004	Chung	.....	D14/433
D490,404 S	*	5/2004	Chan	.....	D14/240
2003/0207611 A1	*	11/2003	Lin et al.	.....	439/501
2003/0211784 A1	*	11/2003	Wu et al.	.....	439/638
2003/0216069 A1	*	11/2003	Huang	.....	439/105

\* cited by examiner

*Primary Examiner*—M. H. Tung  
(74) *Attorney, Agent, or Firm*—MacPherson Kwok Chen & Heid LLP; Tom Chen

(57) **CLAIM**

The ornamental design for a combined universal serial bus adapter and base, as shown and described.

**DESCRIPTION**

FIG. 1 is a front view of the combined universal serial bus adapter and base, with the moveable antenna pointing upward;

FIG. 2 is a back view of the combined universal serial bus adapter and base, with the moveable antenna pointing upward;

FIG. 3 is a side view of the combined universal serial bus adapter and base (showing the antenna side), with the moveable antenna pointing upward;

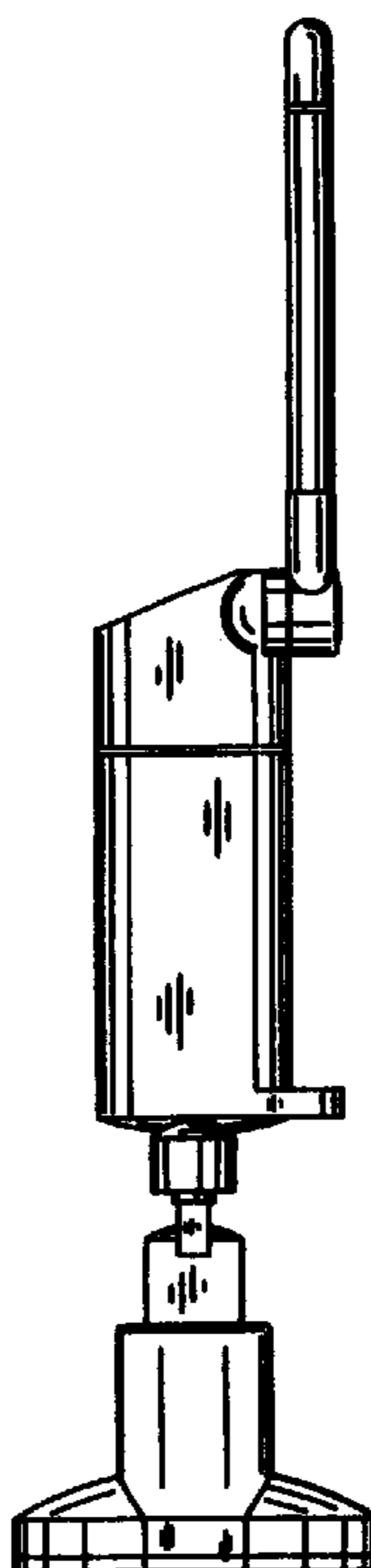
FIG. 4 is a side view of the combined universal serial bus adapter and base (showing the side opposite the antenna), with the moveable antenna pointing upward;

FIG. 5 is a top view of the combined universal serial bus adapter and base; and,

FIG. 6 is a bottom view of the combined universal serial bus adapter and base.

The broken line drawing of a cord in FIGS. 3-5 is for illustrative purposes only and forms no part of the claimed design.

**1 Claim, 1 Drawing Sheet**



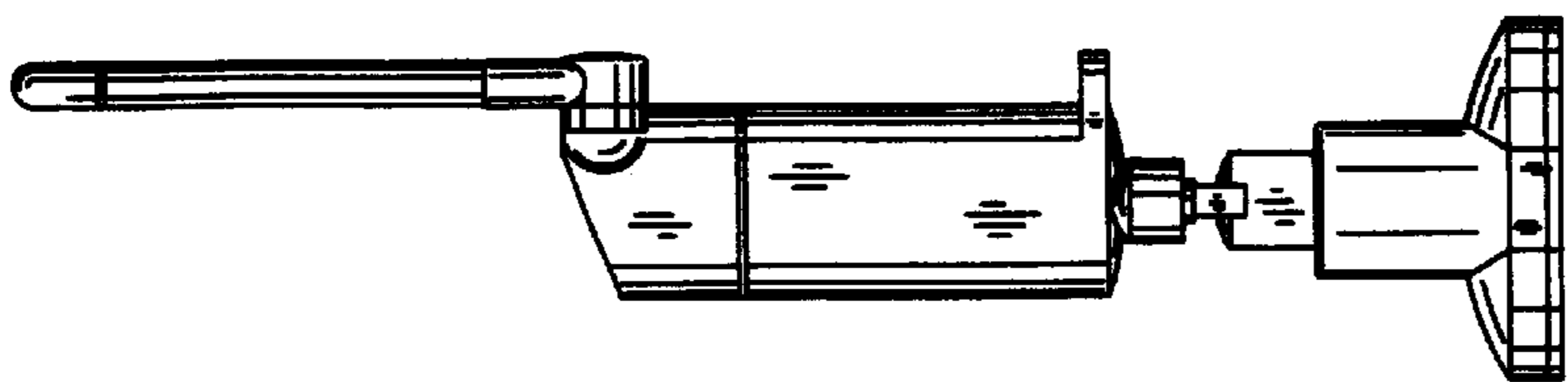


FIG. 1

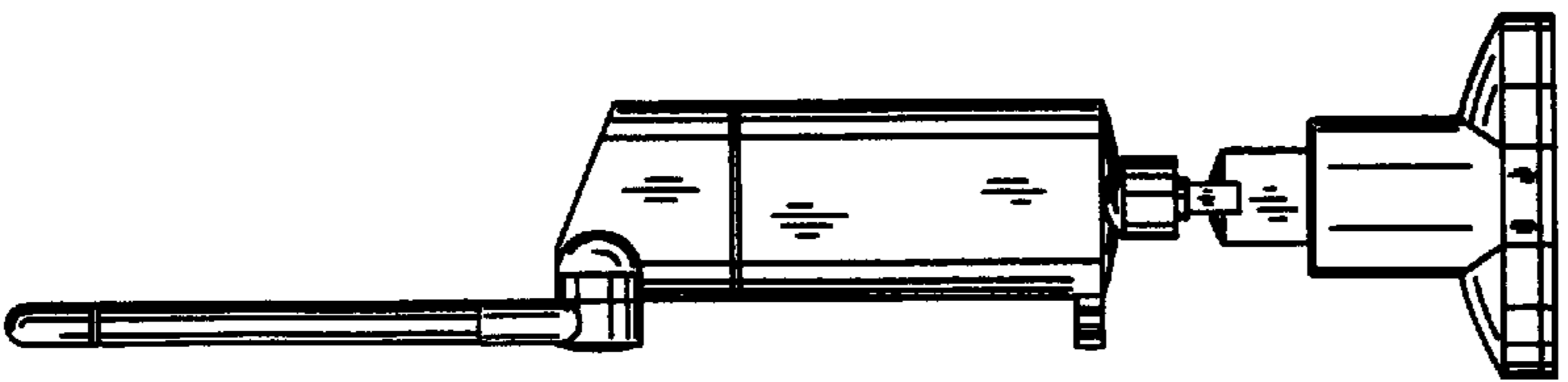


FIG. 2  
Amended

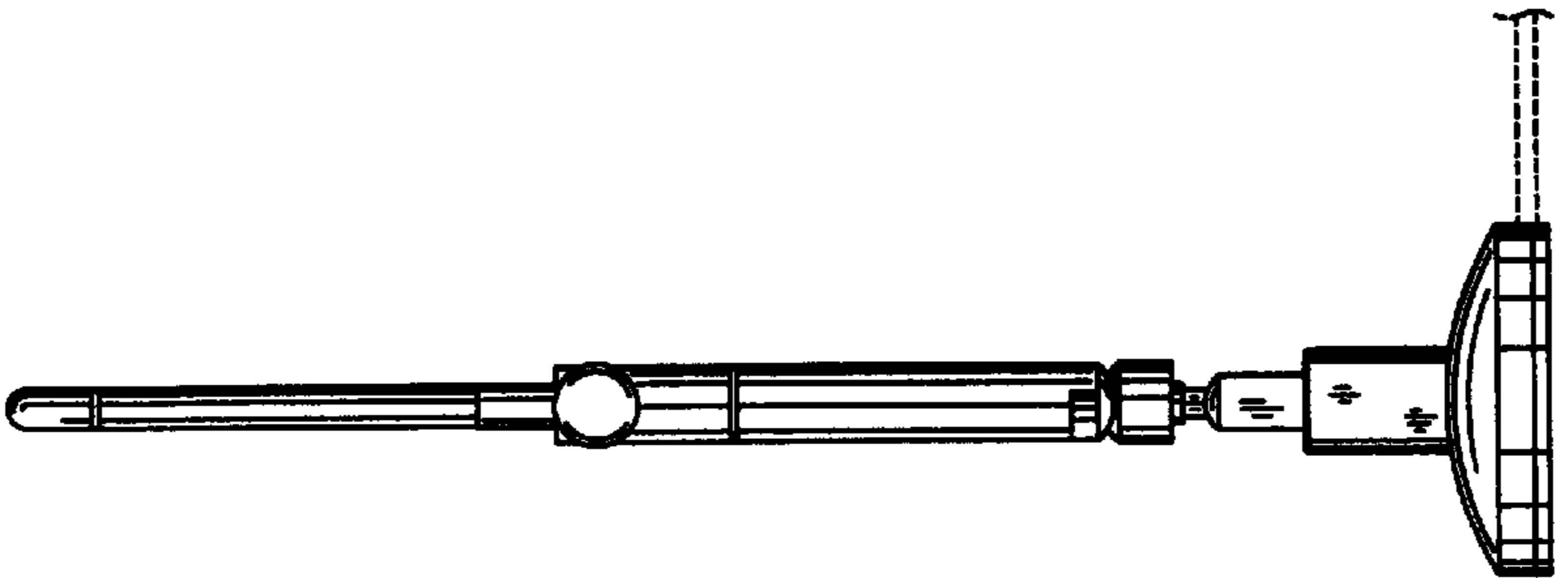


FIG. 3

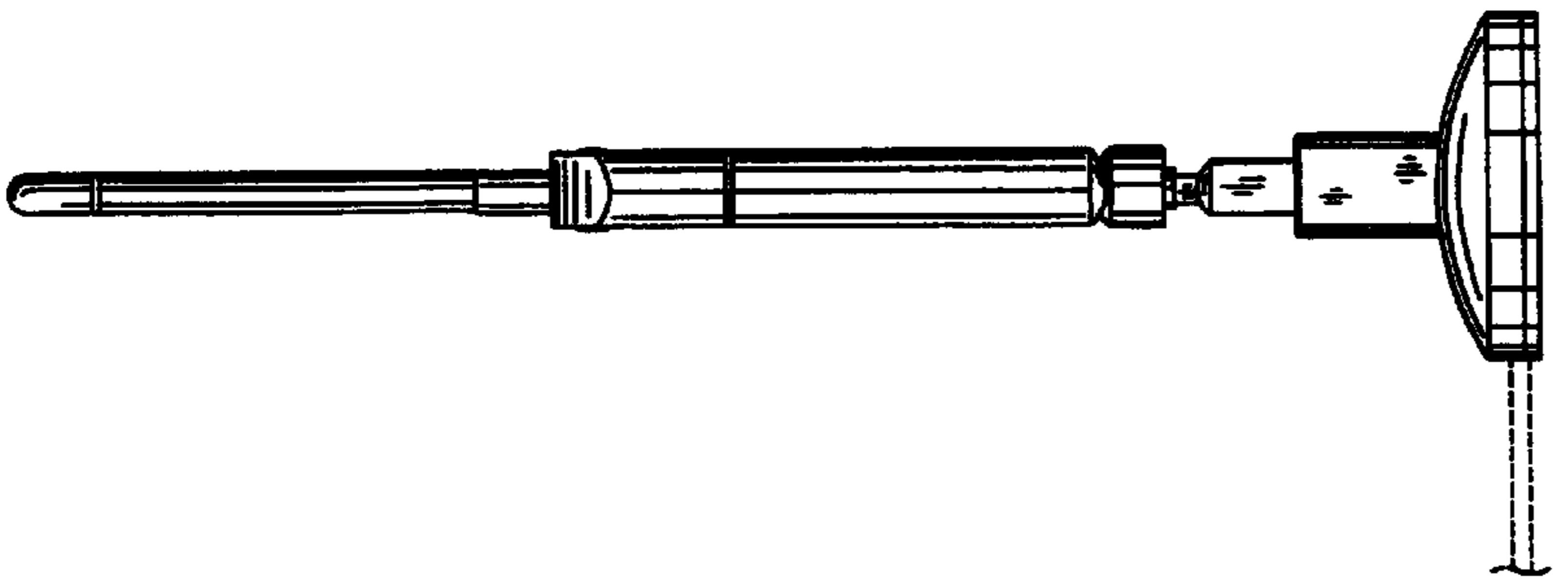


FIG. 4

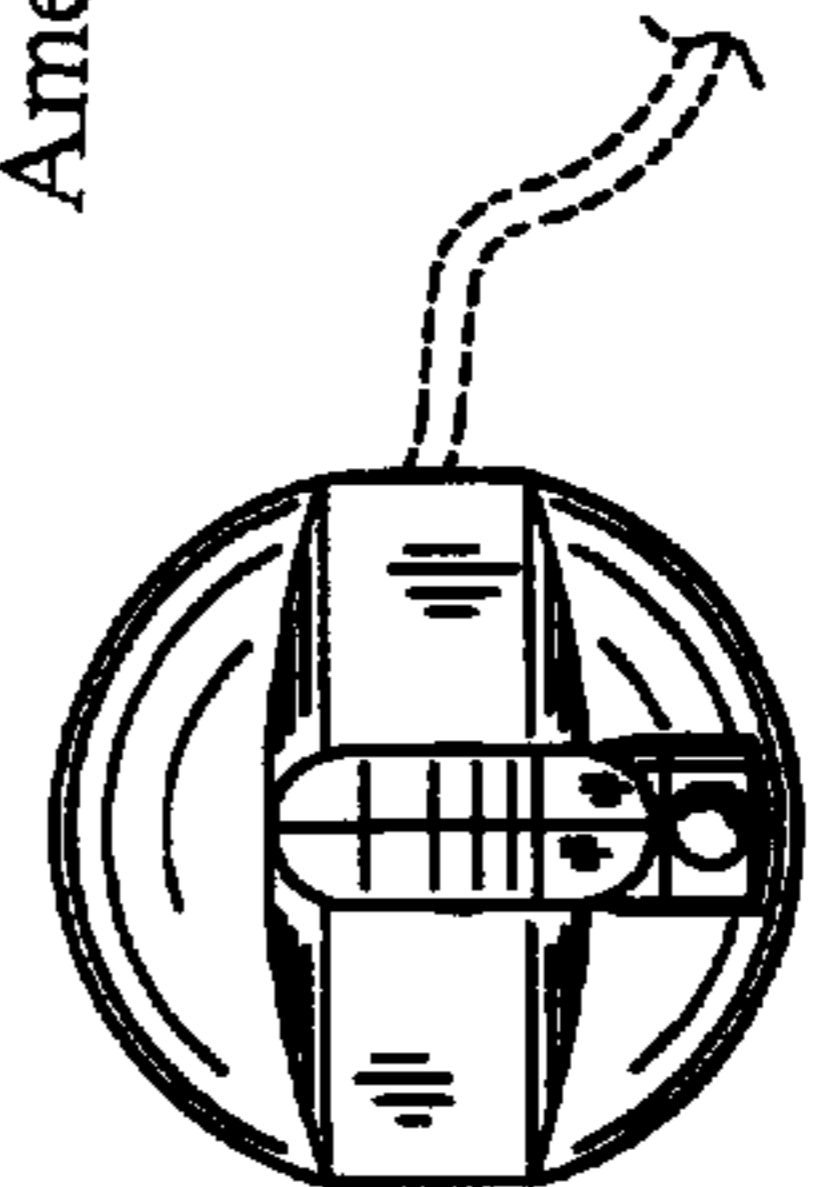


FIG. 5

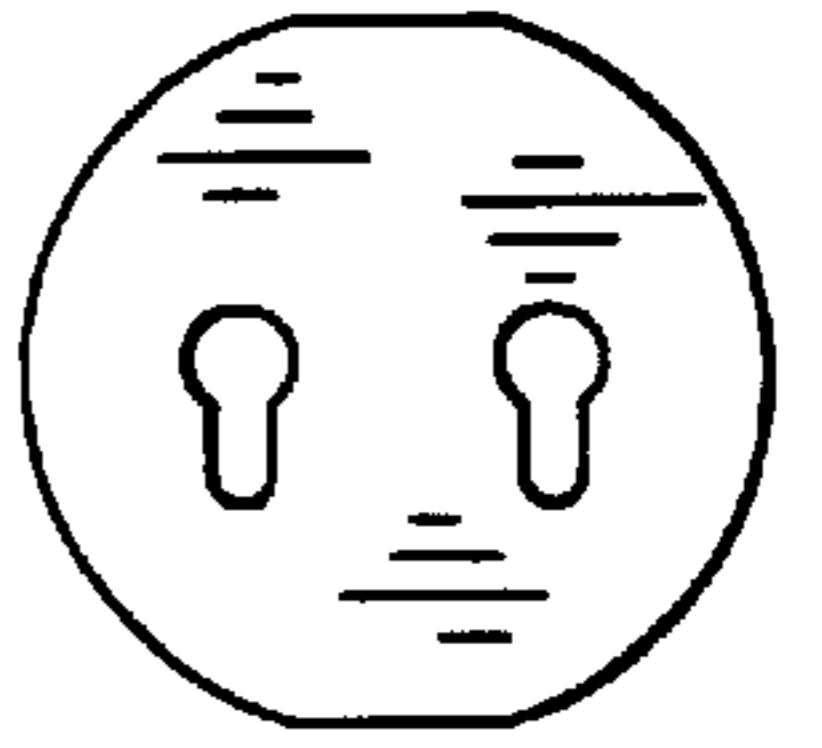


FIG. 6