

US00D508490S

(12) **United States Design Patent**  
**Ishii**

(10) **Patent No.:** **US D508,490 S**

(45) **Date of Patent:** **\*\* Aug. 16, 2005**

(54) **COMPUTER**

(75) Inventor: **Daisuke Ishii**, Tokyo (JP)

(73) Assignee: **Sony Corporation**, Tokyo (JP)

(\*\*) Term: **14 Years**

(21) Appl. No.: **29/208,142**

(22) Filed: **Jun. 25, 2004**

(51) **LOC (8) Cl.** ..... **14-02**

(52) **U.S. Cl.** ..... **D14/337**

(58) **Field of Search** ..... D14/336, 337,  
D14/371-375, 125-129; 248/917-924;  
341/12; 345/104, 156, 168, 173, 901-905,  
87; 348/180, 184, 325, 739; 349/1, 2, 11,  
62

(56) **References Cited**

**U.S. PATENT DOCUMENTS**

D431,564 S	*	10/2000	Masuda et al.	.....	D14/374
D448,372 S	*	9/2001	Kim	.....	D14/337
D469,091 S	*	1/2003	Hasegawa et al.	.....	D14/375
D471,549 S	*	3/2003	Tsuji	.....	D14/375
D473,558 S	*	4/2003	Chen et al.	.....	D14/375
D487,731 S	*	3/2004	Takami et al.	.....	D14/126
D488,451 S		4/2004	Niitsu		
D491,540 S	*	6/2004	Honda	.....	D14/126

\* cited by examiner

*Primary Examiner*—Freda S. Nunn

(74) *Attorney, Agent, or Firm*—Rader, Fishman & Grauer PLLC

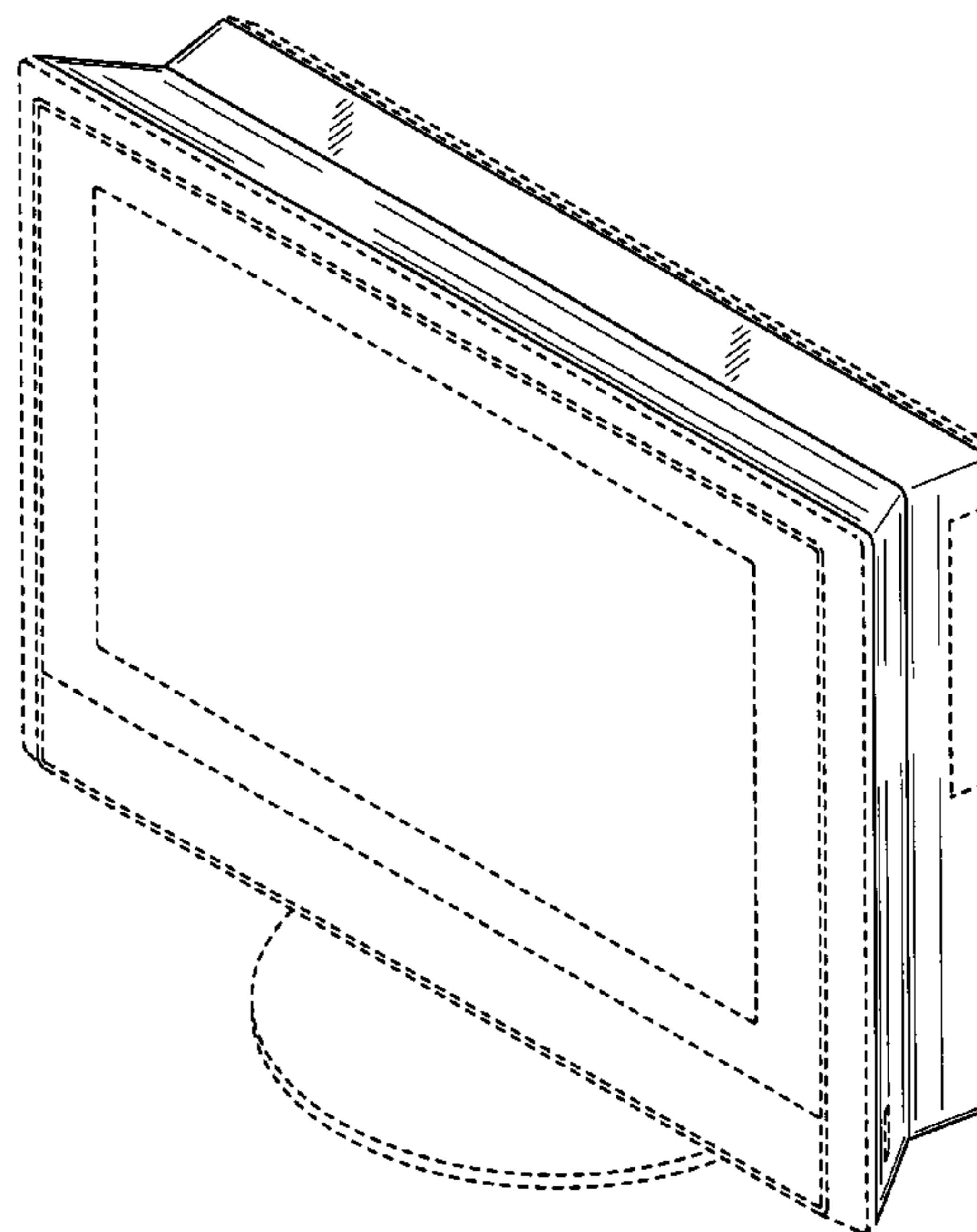
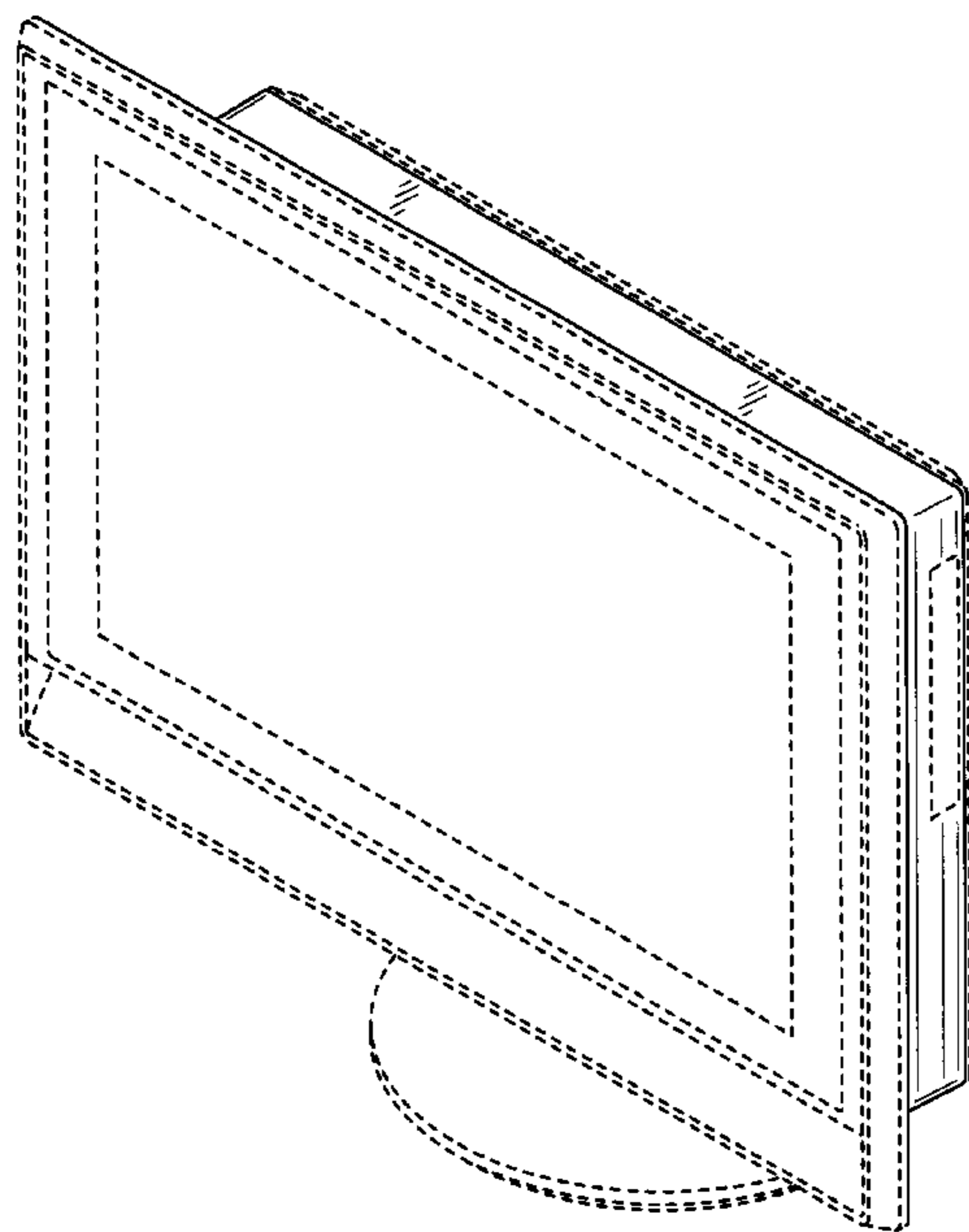
(57) **CLAIM**

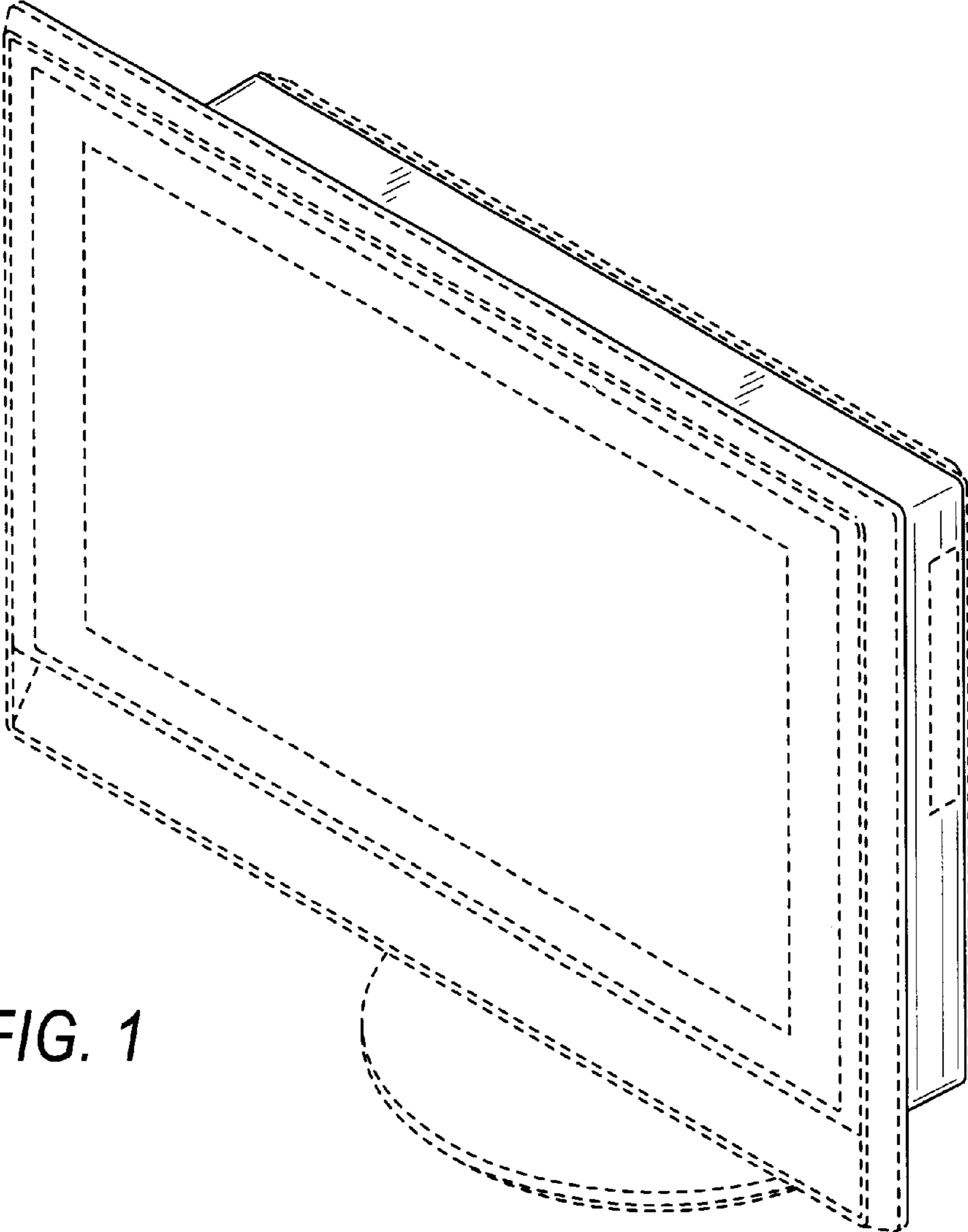
The ornamental design for a computer, as shown and described.

**DESCRIPTION**

FIG. 1 is a perspective view of a first embodiment of a computer showing my new design;  
 FIG. 2 is a rear elevational view thereof;  
 FIG. 3 is a left side elevational view thereof;  
 FIG. 4 is a right side elevational view thereof;  
 FIG. 5 is a top plan view thereof;  
 FIG. 6 is a bottom plan view thereof;  
 FIG. 7 is a perspective view of a second embodiment of a computer showing my new design;  
 FIG. 8 is a rear elevational view thereof;  
 FIG. 9 is a left side elevational view thereof;  
 FIG. 10 is a right side elevational view thereof;  
 FIG. 11 is a top plan view thereof; and,  
 FIG. 12 is a bottom plan view thereof.  
 Portions of FIGS. 1-12 that are shown as broken lines are for illustrative purpose only and form no part of the claimed design.

**1 Claim, 8 Drawing Sheets**





*FIG. 1*

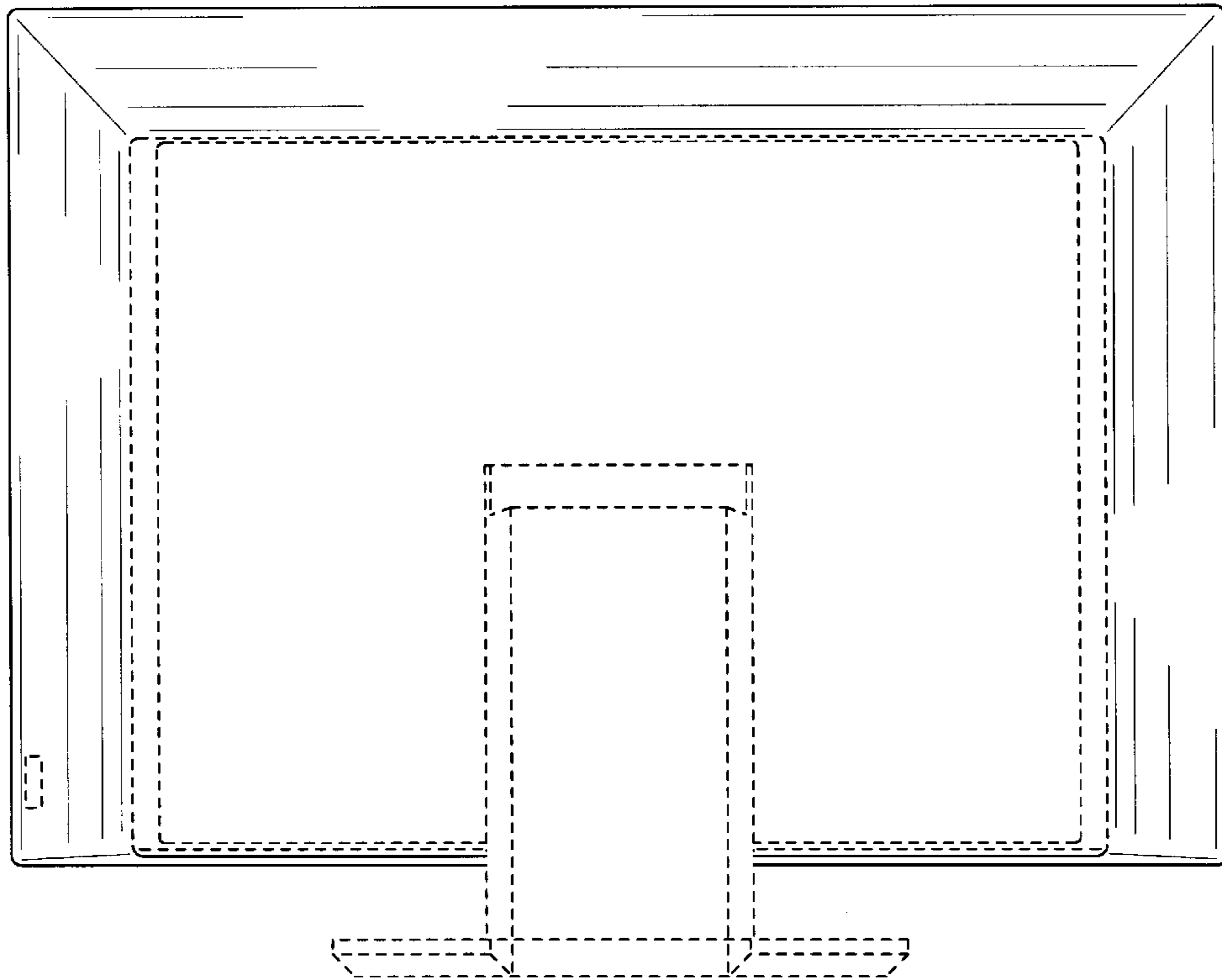


FIG. 2

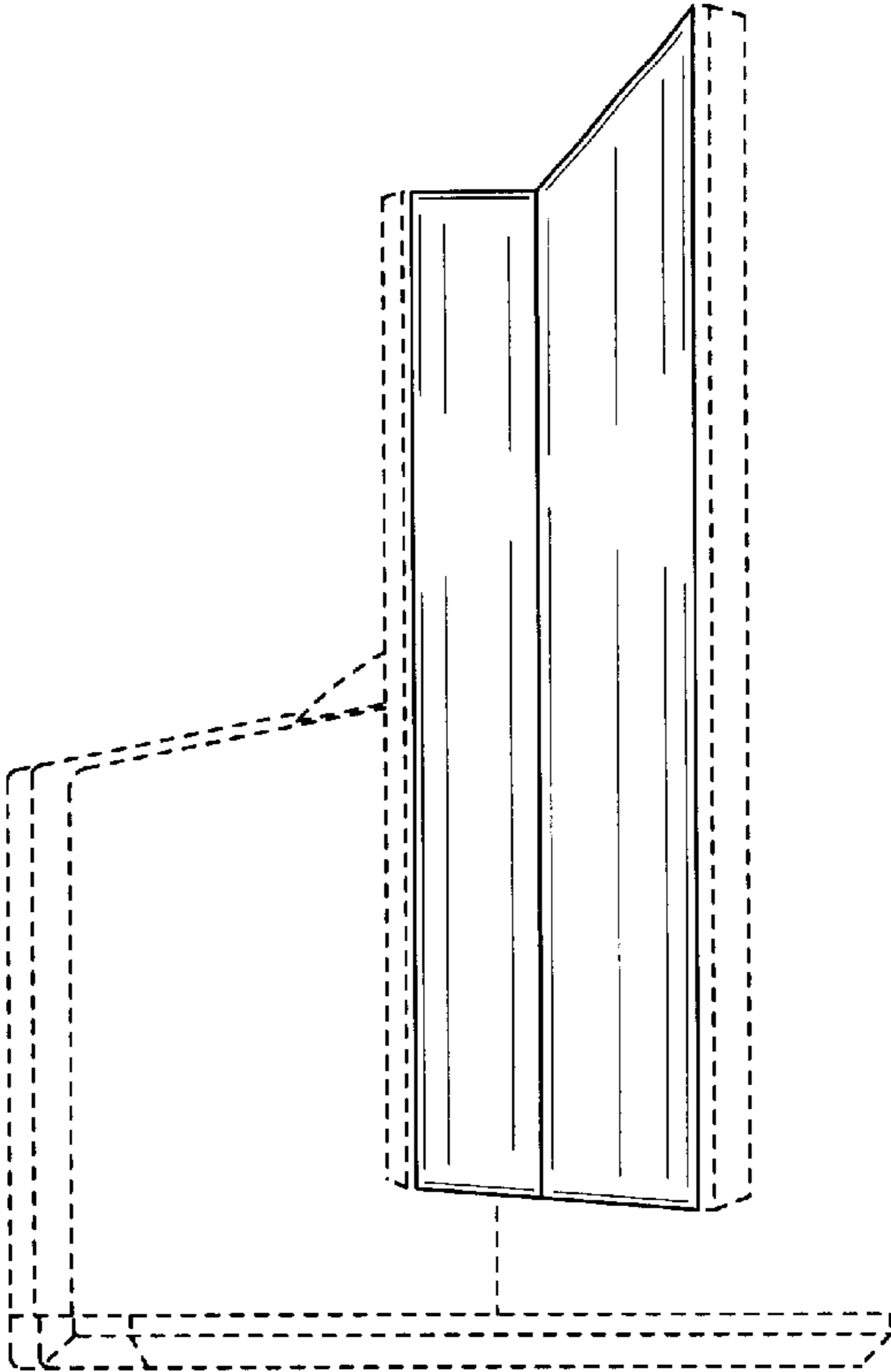


FIG. 3

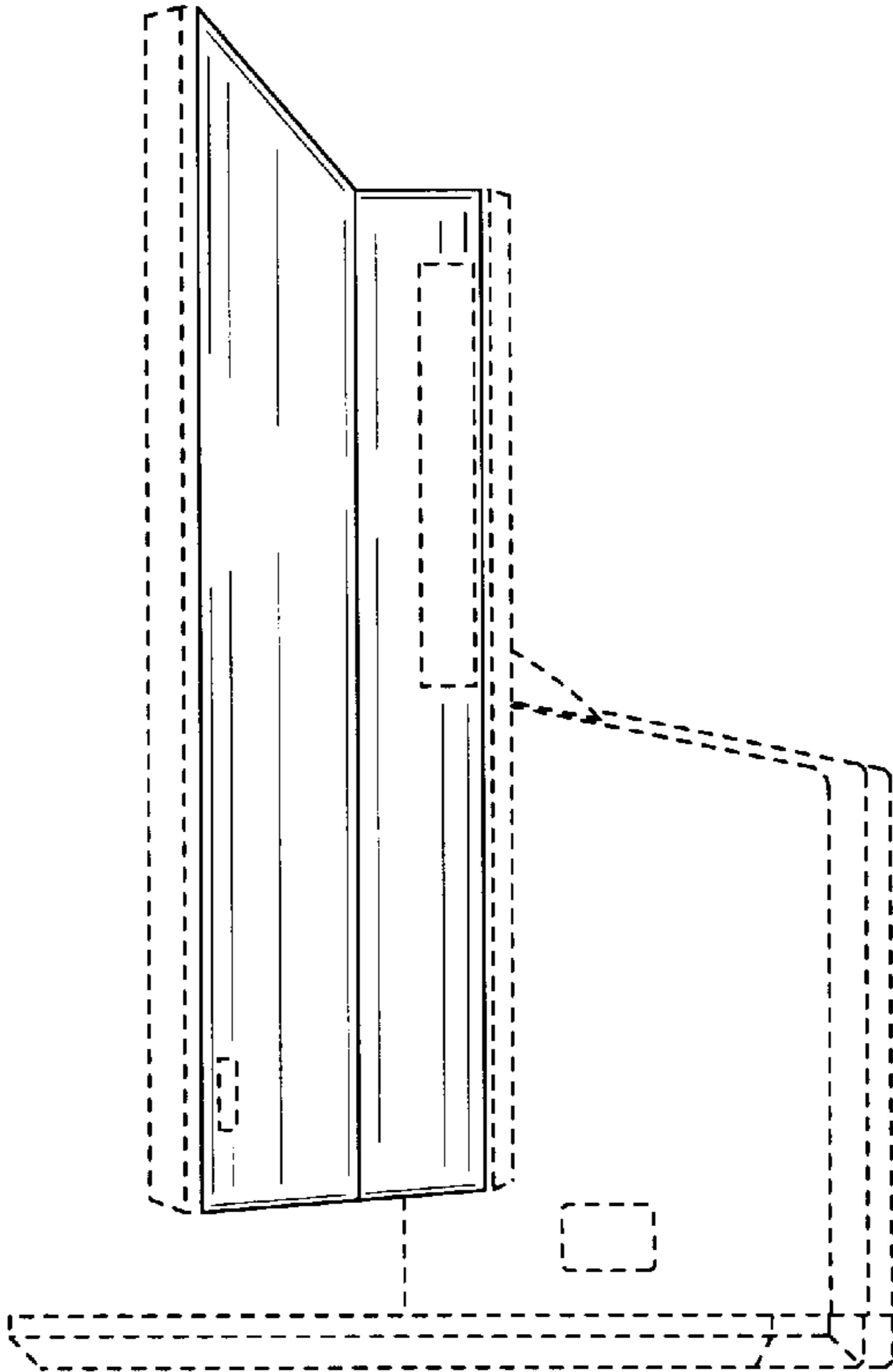


FIG. 4

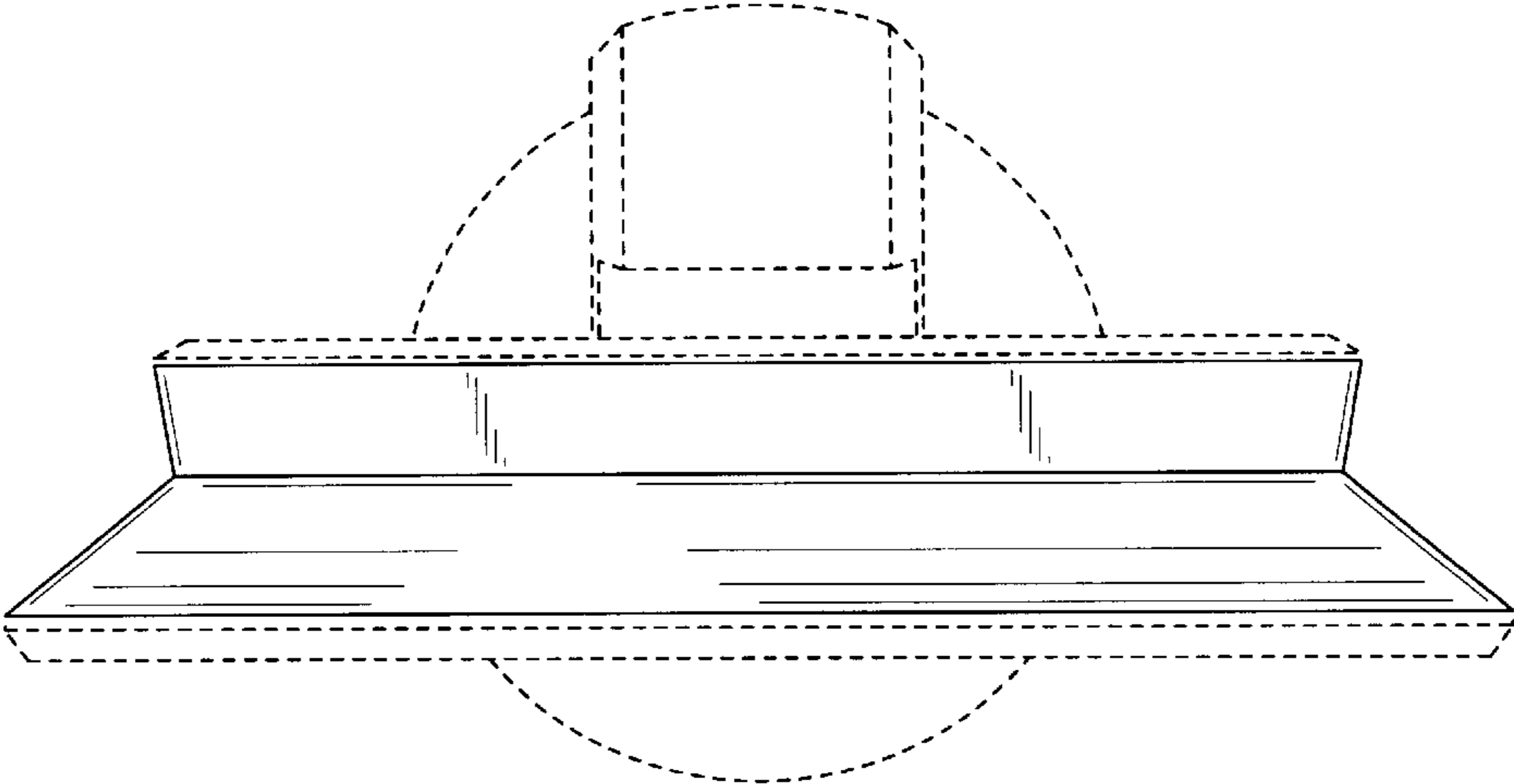


FIG. 5

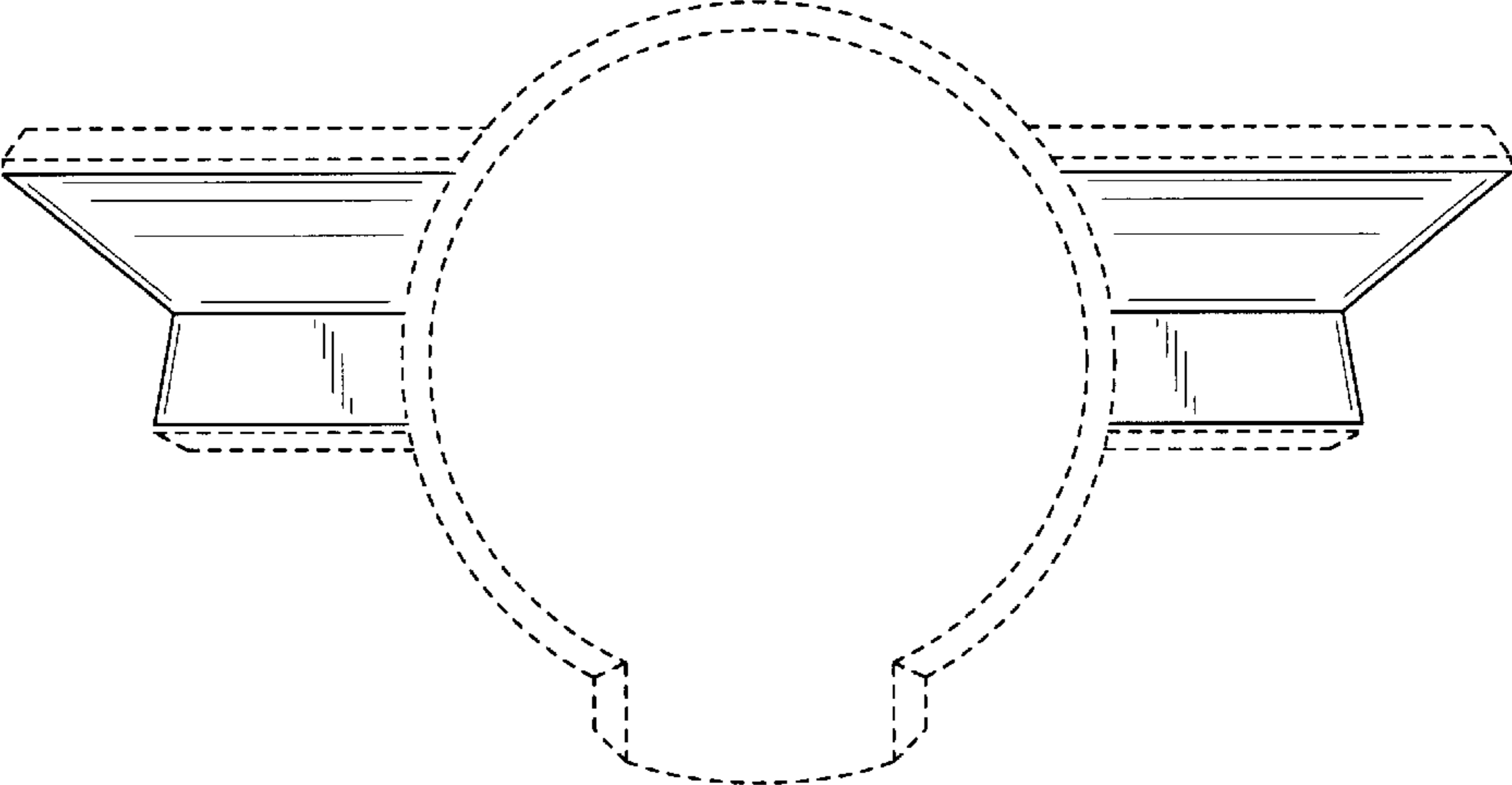


FIG. 6

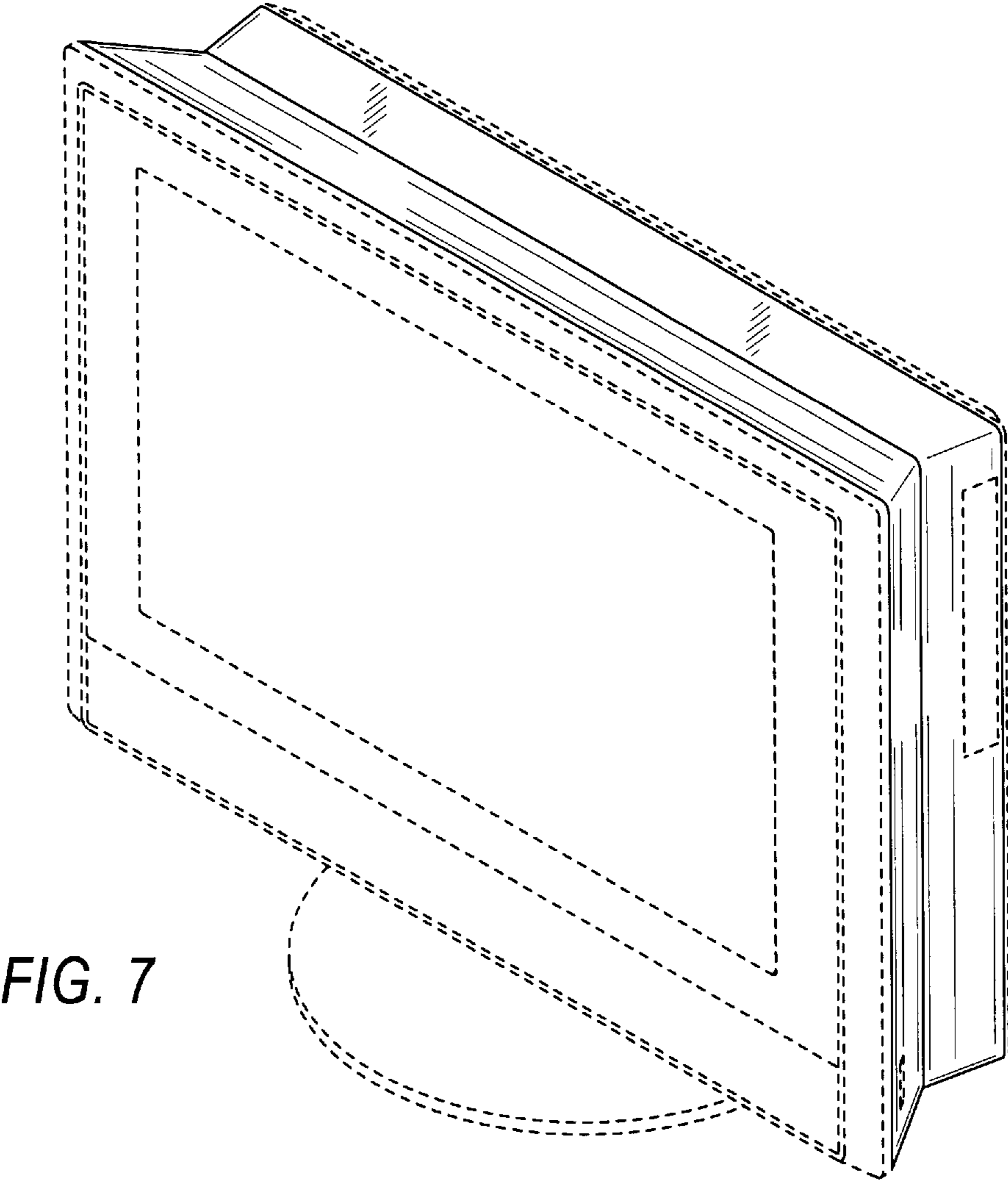


FIG. 7

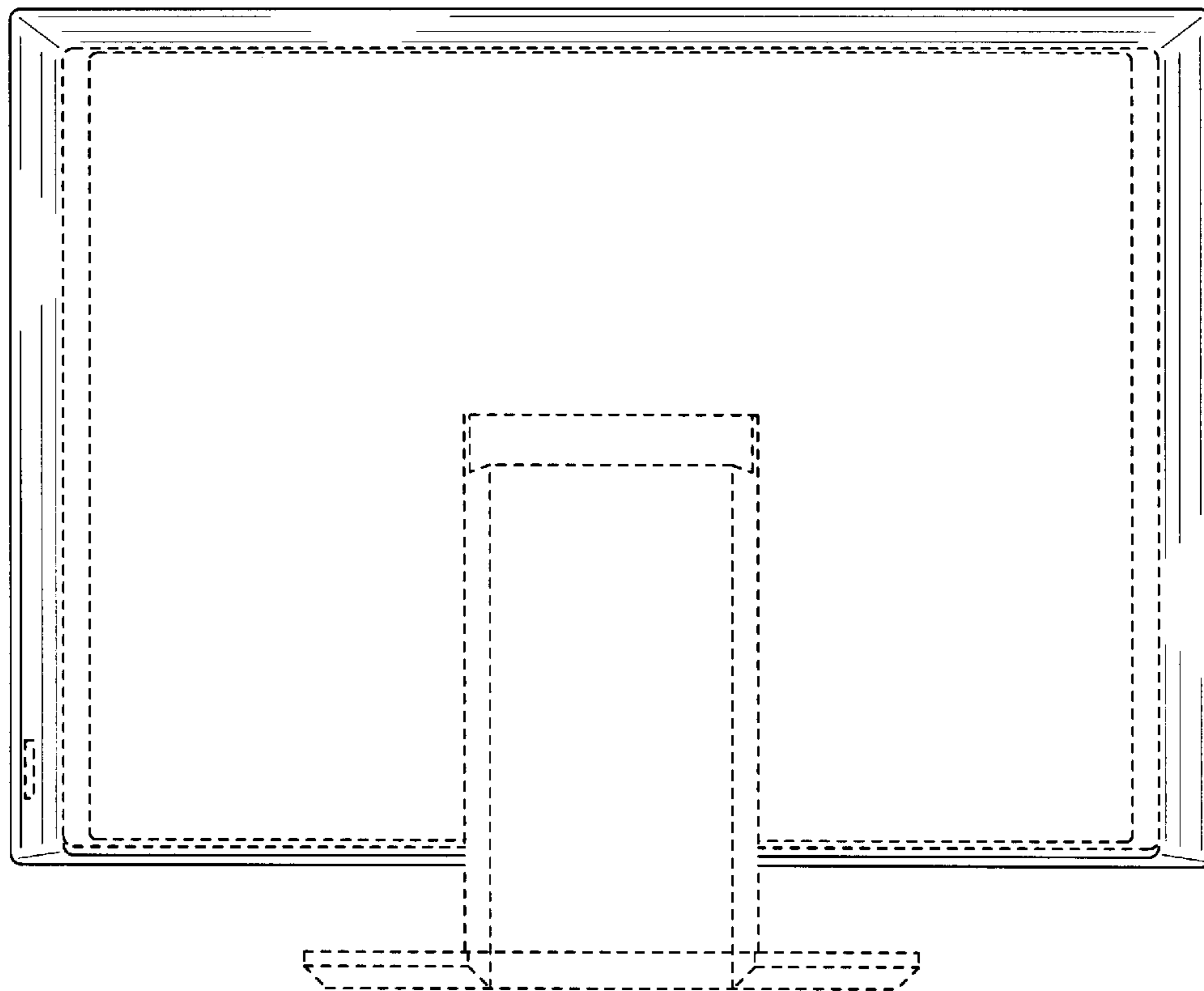


FIG. 8

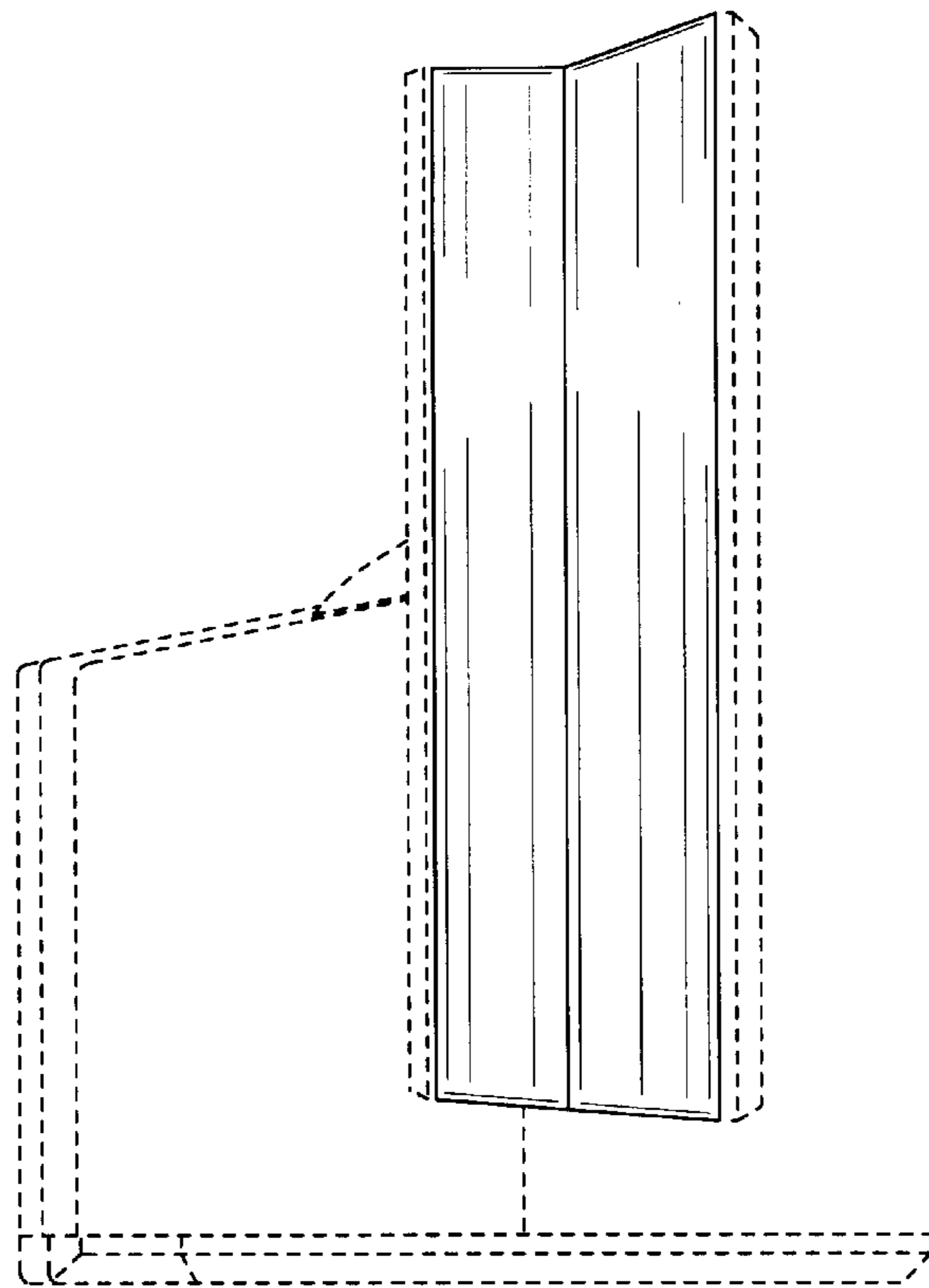


FIG. 9

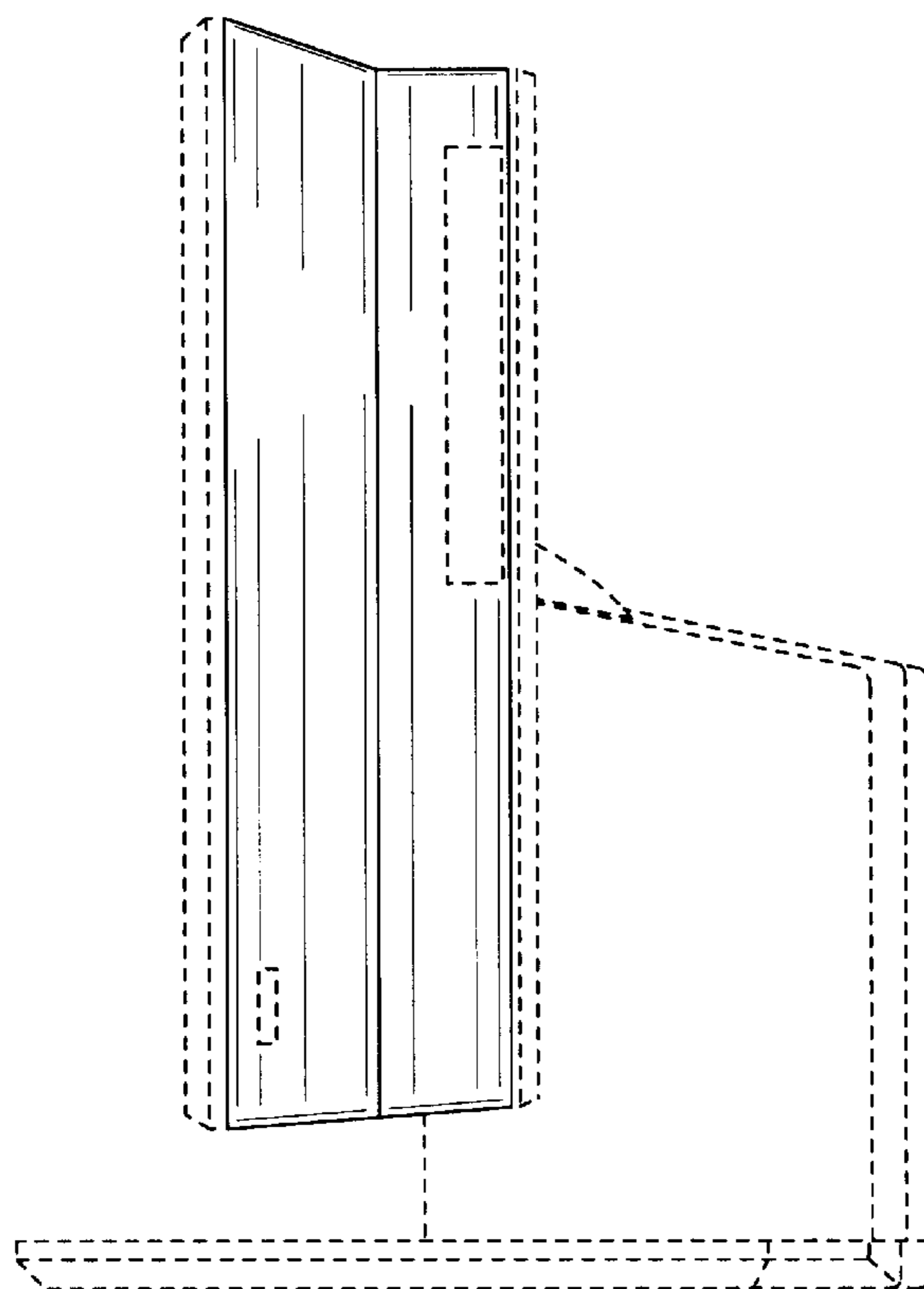


FIG. 10



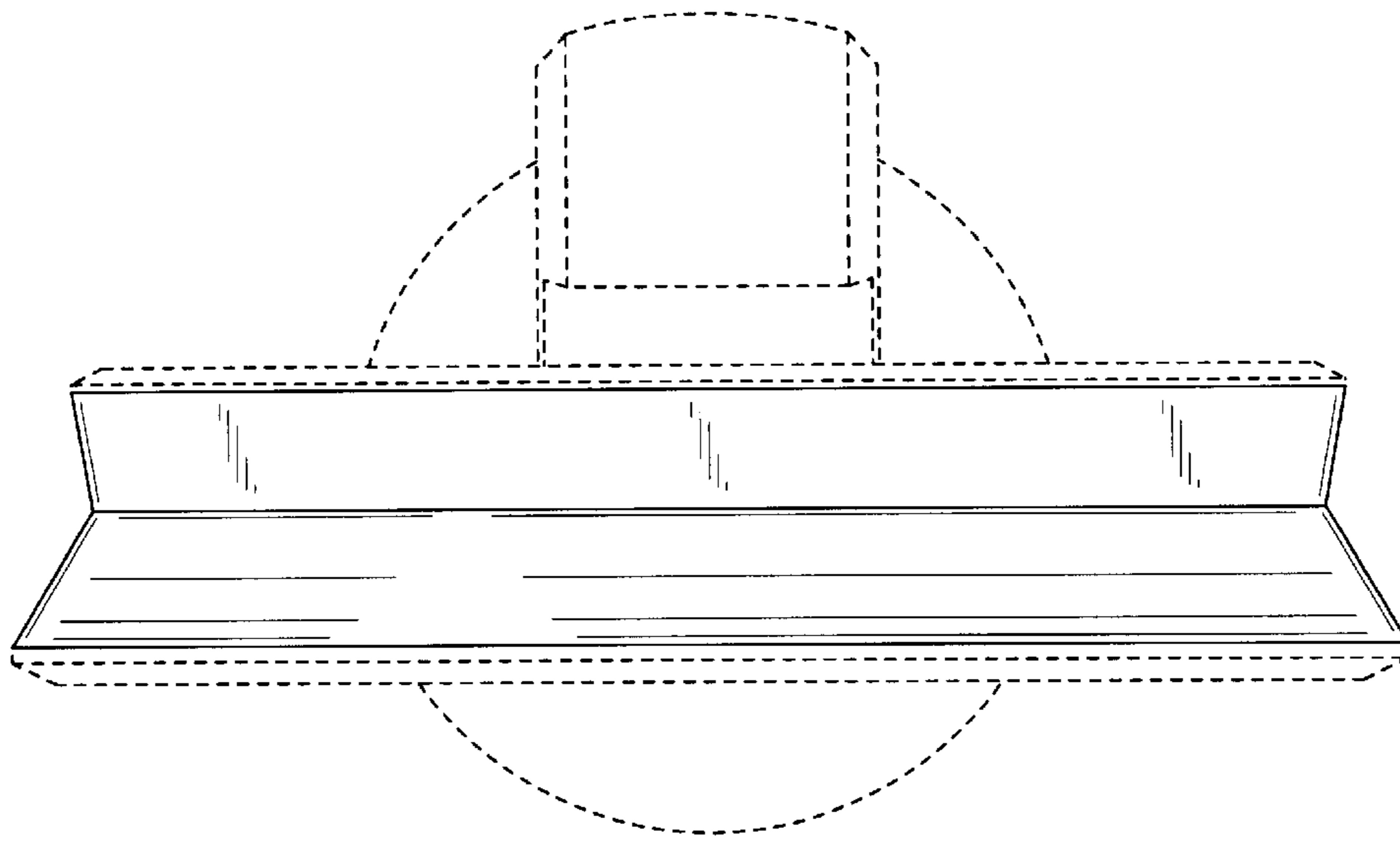


FIG. 11

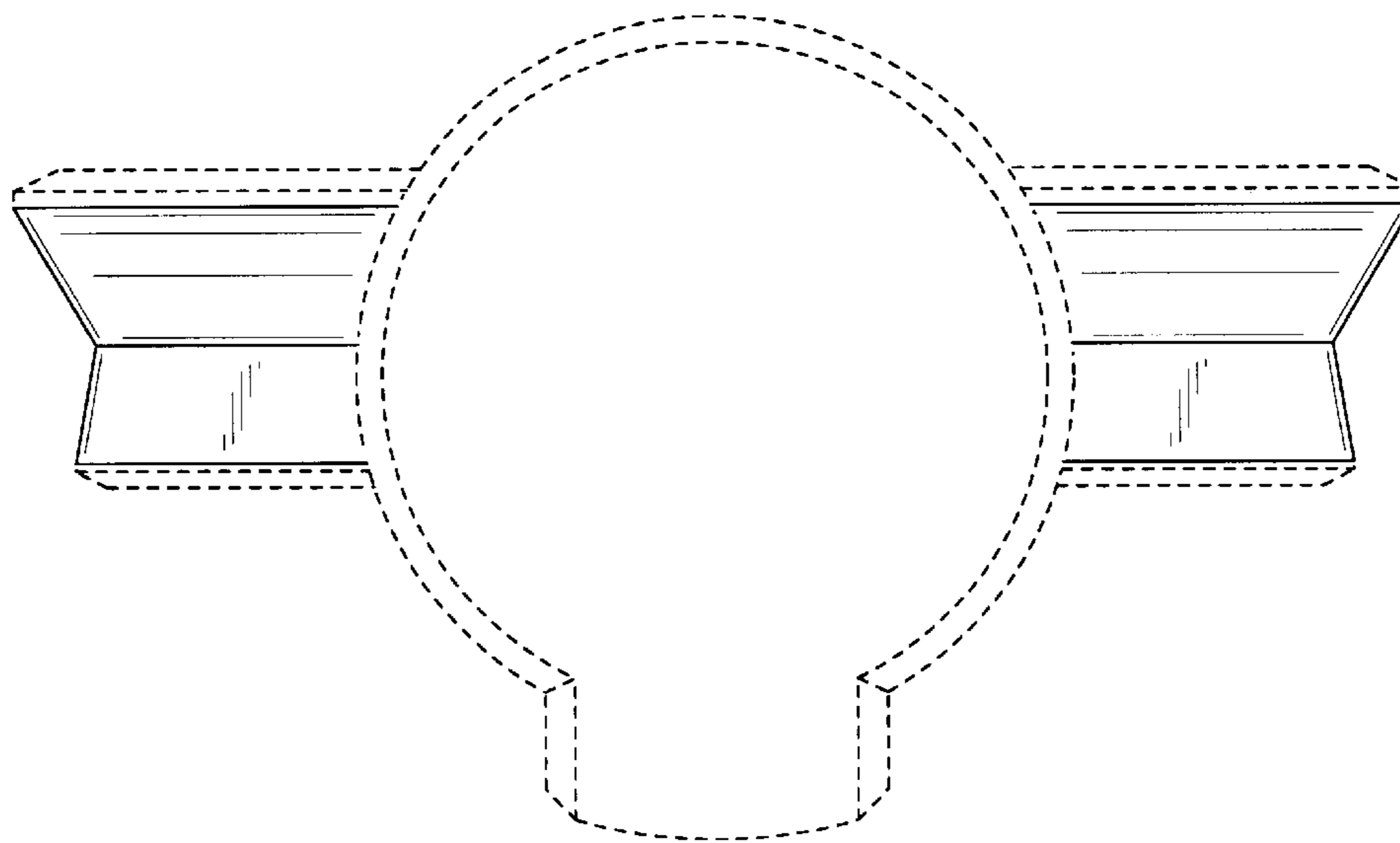


FIG. 12