

US00D508488S

(12) **United States Design Patent**
Hashi et al.

(10) **Patent No.: US D508,488 S**

(45) **Date of Patent: ** Aug. 16, 2005**

(54) **MAGNETIC HEAD SUSPENSION**

D437,846 S * 2/2001 Kabasawa et al. D14/260
6,330,209 B1 * 12/2001 Hatam-Tabrizi et al. . 369/13.17
6,512,657 B2 * 1/2003 Heist et al. 360/244.6

(75) Inventors: **Hideyuki Hashi**, Osaka (JP); **Hideki Kuwajima**, Kyoto (JP)

FOREIGN PATENT DOCUMENTS

(73) Assignee: **Matsushita Electric Industrial Co., Ltd.**, Kadoma (JP)

JP 1005527 7/1998
JP 1070660 5/2000
JP 1070938 5/2000

(**) Term: **14 Years**

* cited by examiner

(21) Appl. No.: **29/178,543**

Primary Examiner—Nanda Bondade

(22) Filed: **Mar. 25, 2003**

(74) *Attorney, Agent, or Firm*—Christensen O'Connor Johnson Kindness PLLC

(30) **Foreign Application Priority Data**

Sep. 26, 2002 (JP) 2002-026340

(57) **CLAIM**

(51) **LOC (8) Cl.** **14-99**

The ornamental design for a magnetic head suspension, as shown and described.

(52) **U.S. Cl.** **D14/260**

DESCRIPTION

(58) **Field of Search** D14/156, 217,
D14/239, 260, 260.1, 262, 264; 242/333.6,
356; 360/244.6, 245, 245.1, 245.5, 245.9,
264.4, 244.8, 265.7; 29/603.03, 603.04;
369/13.17

FIG. 1 is a perspective view of the front, bottom and left side of a magnetic head suspension showing our new design; FIG. 2 is a front view thereof; FIG. 3 is a rear view thereof; FIG. 4 is a left side view thereof; FIG. 5 is a right side view thereof; FIG. 6 is a top plan view thereof; and, FIG. 7 is a bottom view thereof.

(56) **References Cited**

U.S. PATENT DOCUMENTS

5,126,904 A * 6/1992 Sakurai 360/244.2
5,677,815 A * 10/1997 Chan 360/265.7
5,936,802 A * 8/1999 Koizumi et al. 360/245.9

1 Claim, 3 Drawing Sheets

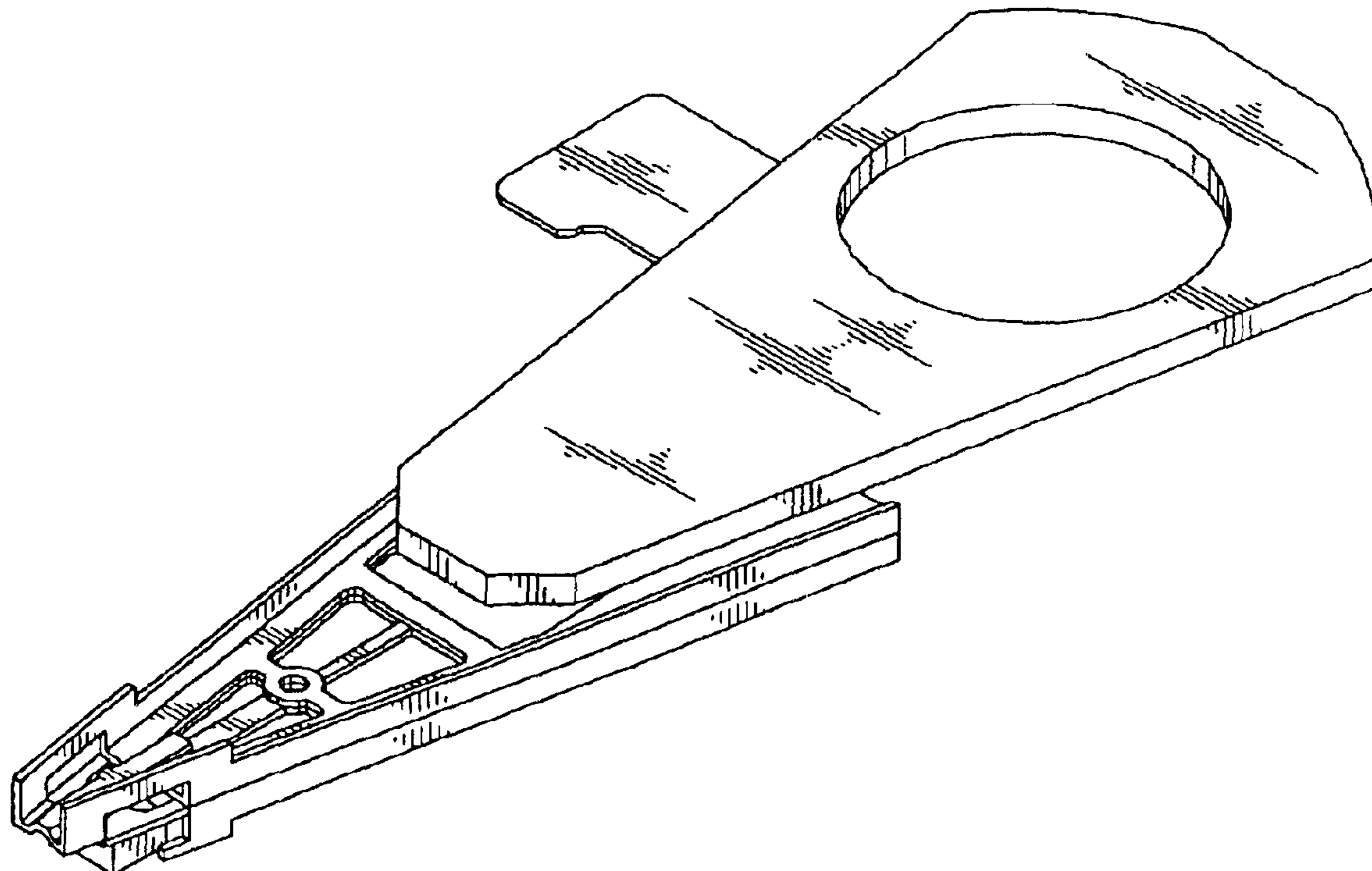


FIG. 1

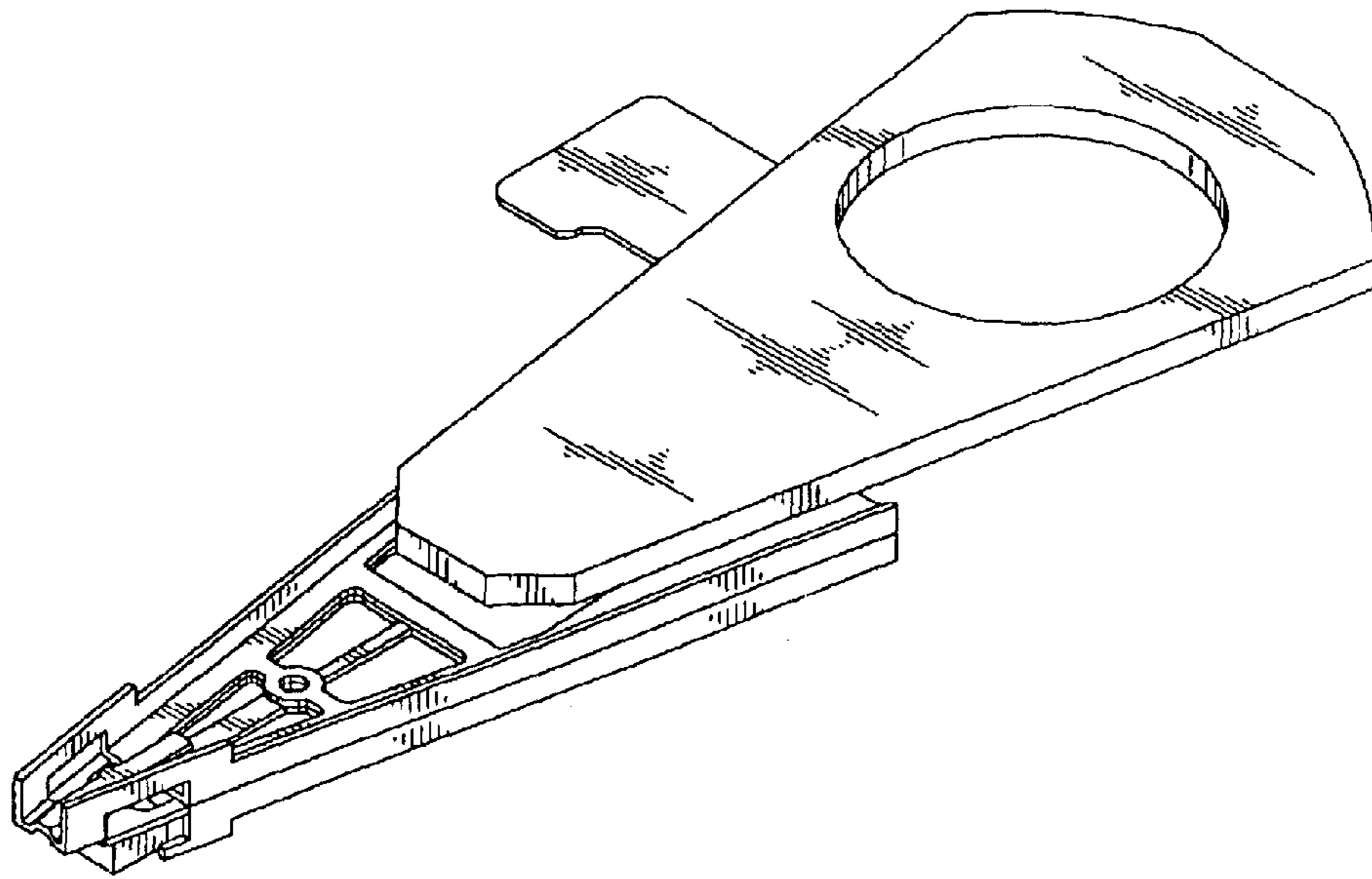


FIG. 2

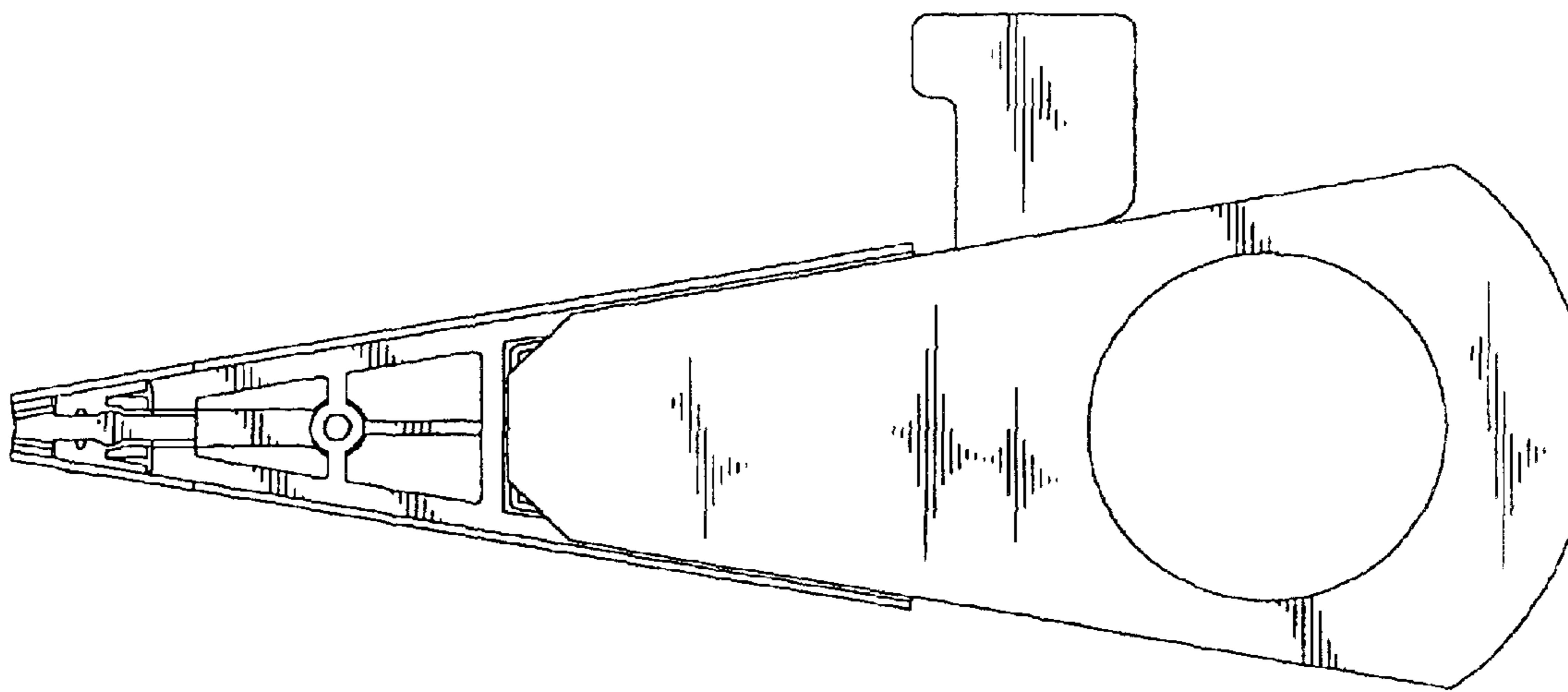


FIG. 3

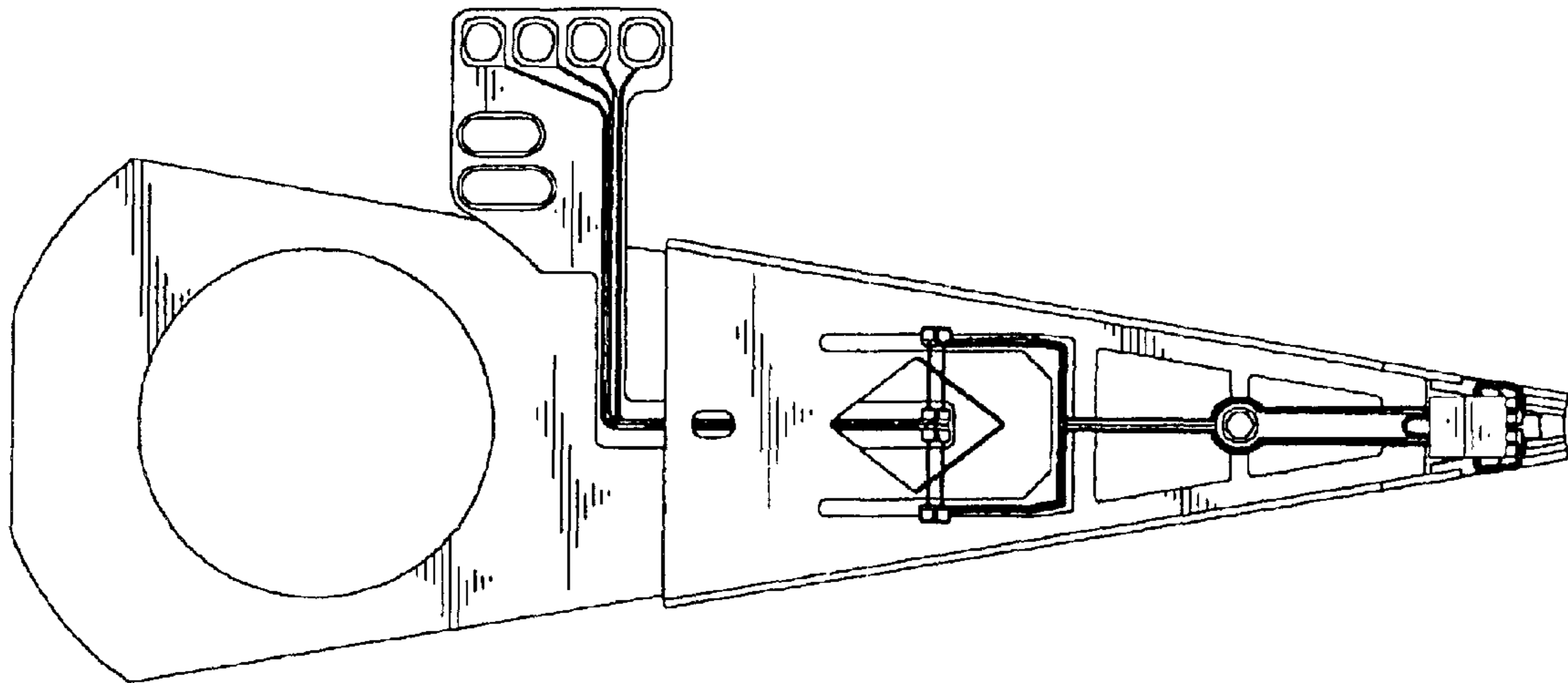


FIG. 4

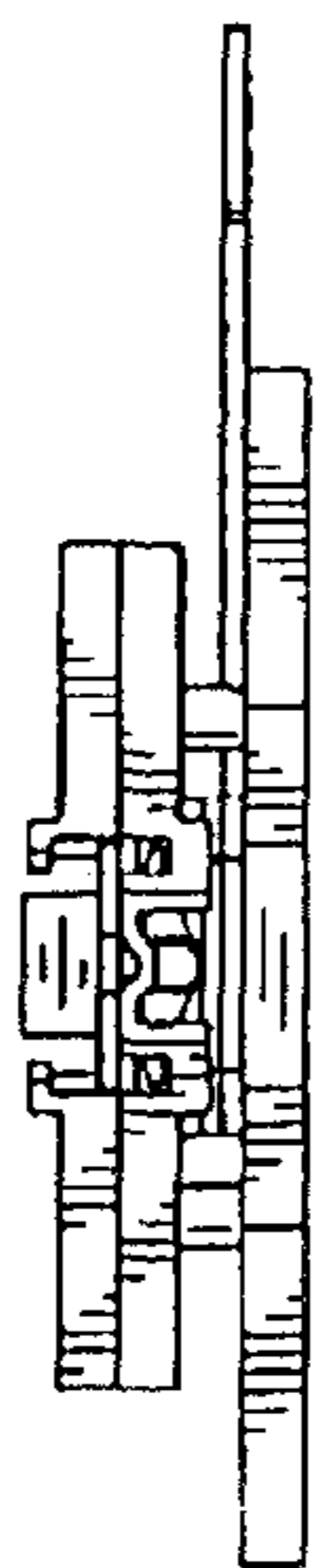


FIG. 5

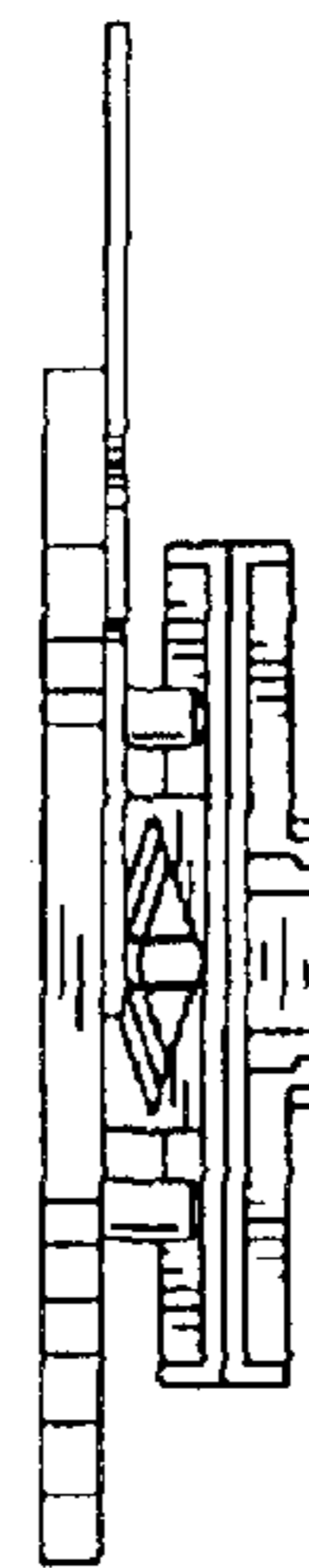


FIG. 6

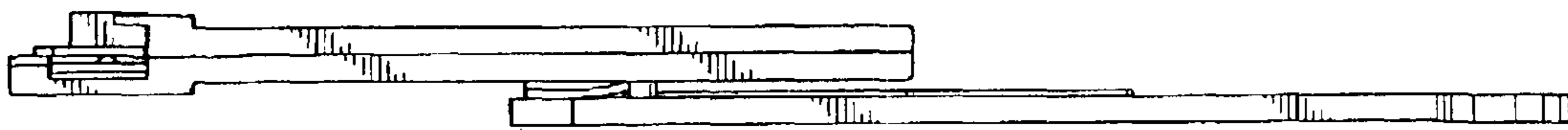


FIG. 7

