

US00D508487S

(12) **United States Design Patent**
Miyamoto et al.

(10) **Patent No.:** **US D508,487 S**
(45) **Date of Patent:** **** Aug. 16, 2005**

(54) **MAGNETIC HEAD SUSPENSION**

6,512,657 B2 * 1/2003 Heist et al. 360/244.6

(75) Inventors: **Makoto Miyamoto**, Hyogo (JP);
Hideki Kuwajima, Kyoto (JP);
Kenichi Sakamoto, Osaka (JP)

FOREIGN PATENT DOCUMENTS

JP	1005527	7/1998
JP	1070660	5/2000
JP	1070938	5/2000

(73) Assignee: **Matsushita Electric Industrial Co., Ltd.**, Kadoma (JP)

* cited by examiner

(**) Term: **14 Years**

Primary Examiner—Nanda Bondade

(21) Appl. No.: **29/178,538**

(74) *Attorney, Agent, or Firm*—Christensen O'Connor Johnson Kindness PLLC

(22) Filed: **Mar. 25, 2003**

(57) **CLAIM**

(30) **Foreign Application Priority Data**

The ornamental design for a magnetic head suspension, as shown and described.

Sep. 26, 2002 (JP) 2002-026335

DESCRIPTION

(51) **LOC (8) Cl.** **14-99**

FIG. 1 is a perspective view of the front, bottom and left side of a magnetic head suspension showing our new design; FIG. 2 is a front view thereof; FIG. 3 is a rear view thereof; FIG. 4 is a left side view thereof; FIG. 5 is a right side view thereof; FIG. 6 is a top plan view thereof; and, FIG. 7 is a bottom view thereof.

(52) **U.S. Cl.** **D14/260**

(58) **Field of Search** D14/156, 217, D14/239, 260, 260.1, 262, 264; 242/333.6, 356; 360/244.6, 245, 245.1, 245.5, 245.9, 264.4, 244.8, 265.7; 29/603.03, 603.04; 369/13.17

The dot and dash lines which define the bounds of the claimed design form no part thereof. The portions of the article in broken lines are shown for illustrative purposes only and form no part of the claimed design.

(56) **References Cited**

U.S. PATENT DOCUMENTS

5,126,904 A	*	6/1992	Sakurai	360/244.2
5,677,815 A	*	10/1997	Chan	360/265.7
D437,846 S	*	2/2001	Kabasawa et al.	D14/260
6,330,209 B1	*	12/2001	Hatam-Tabrizi et al.	..	369/13.17

1 Claim, 3 Drawing Sheets

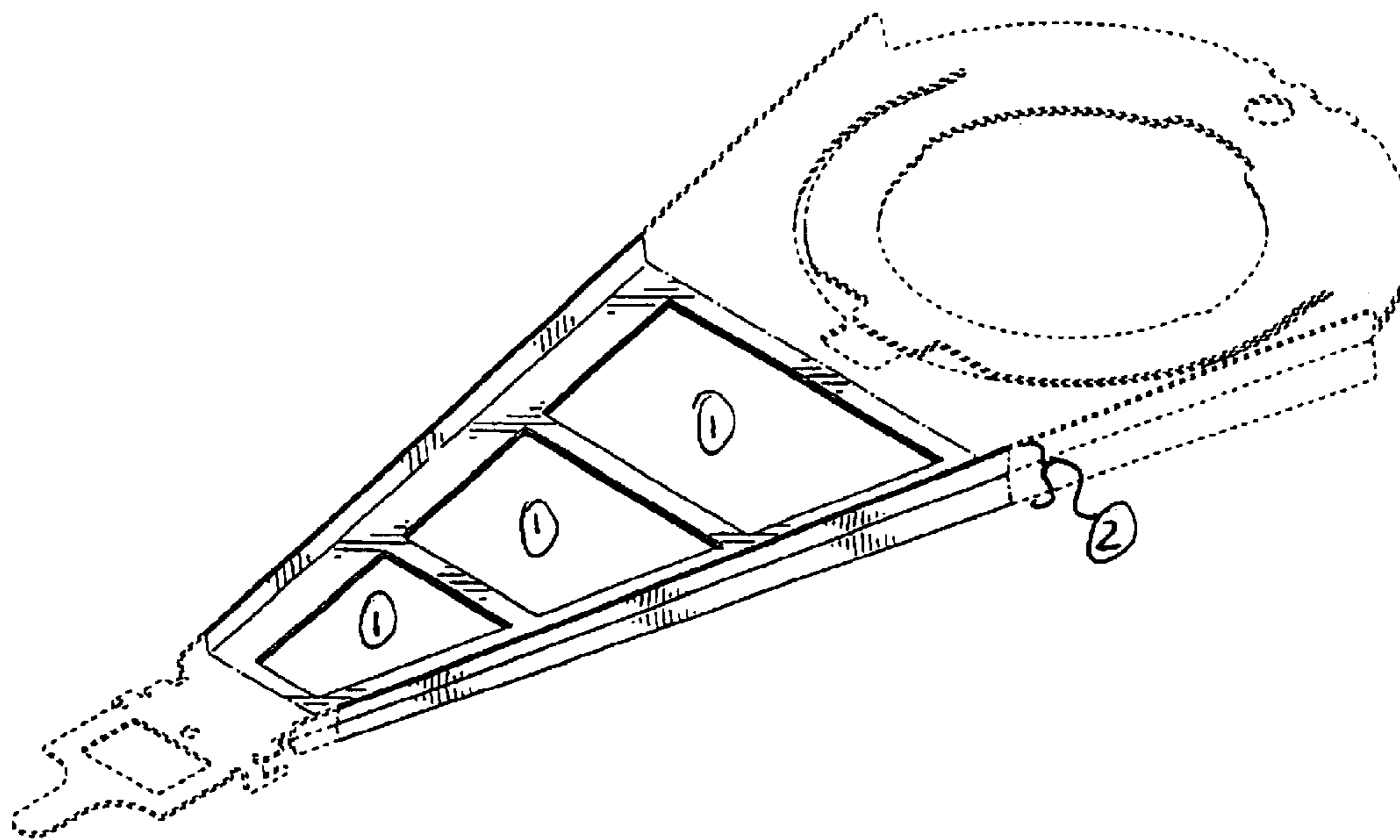


FIG. 1

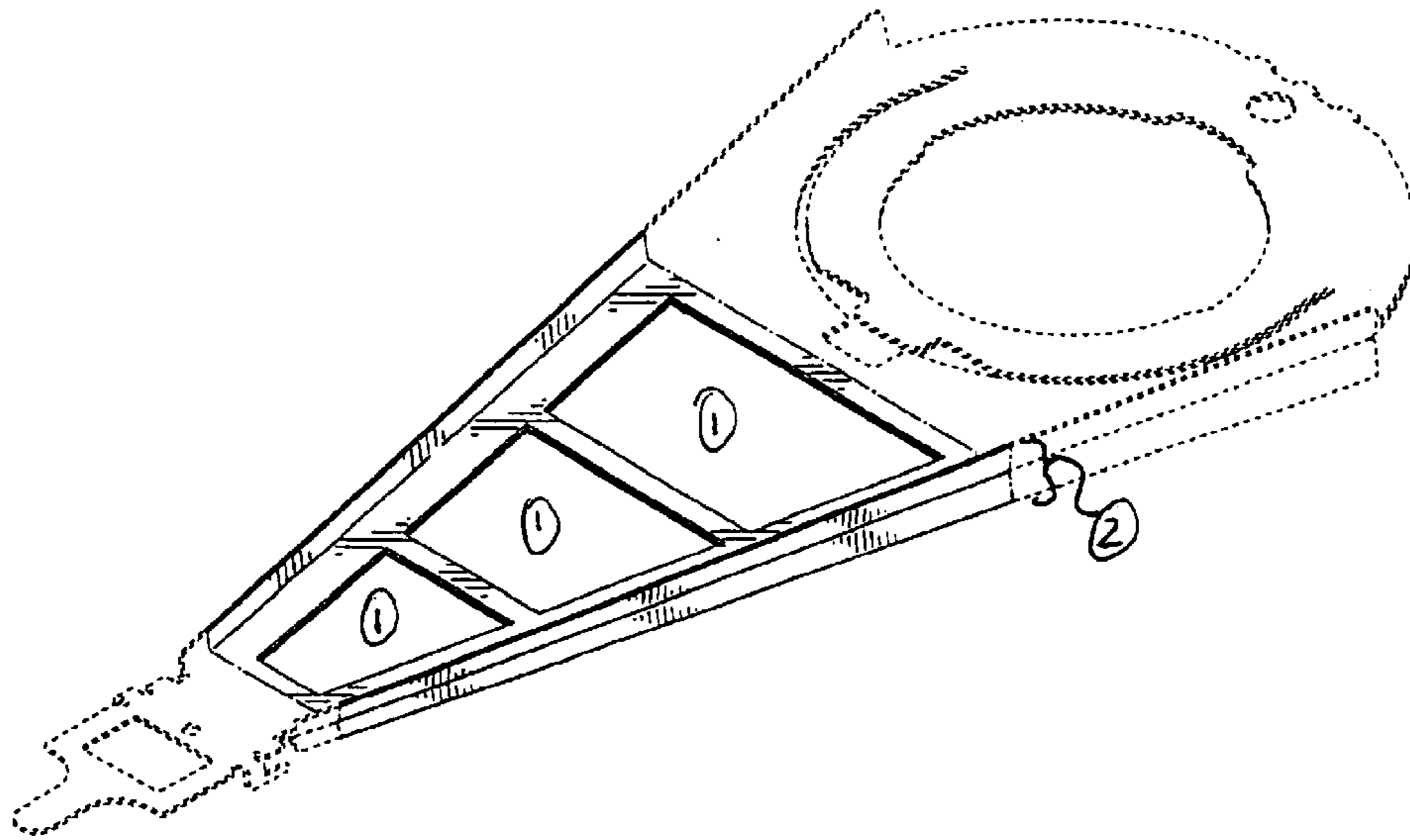


FIG. 2

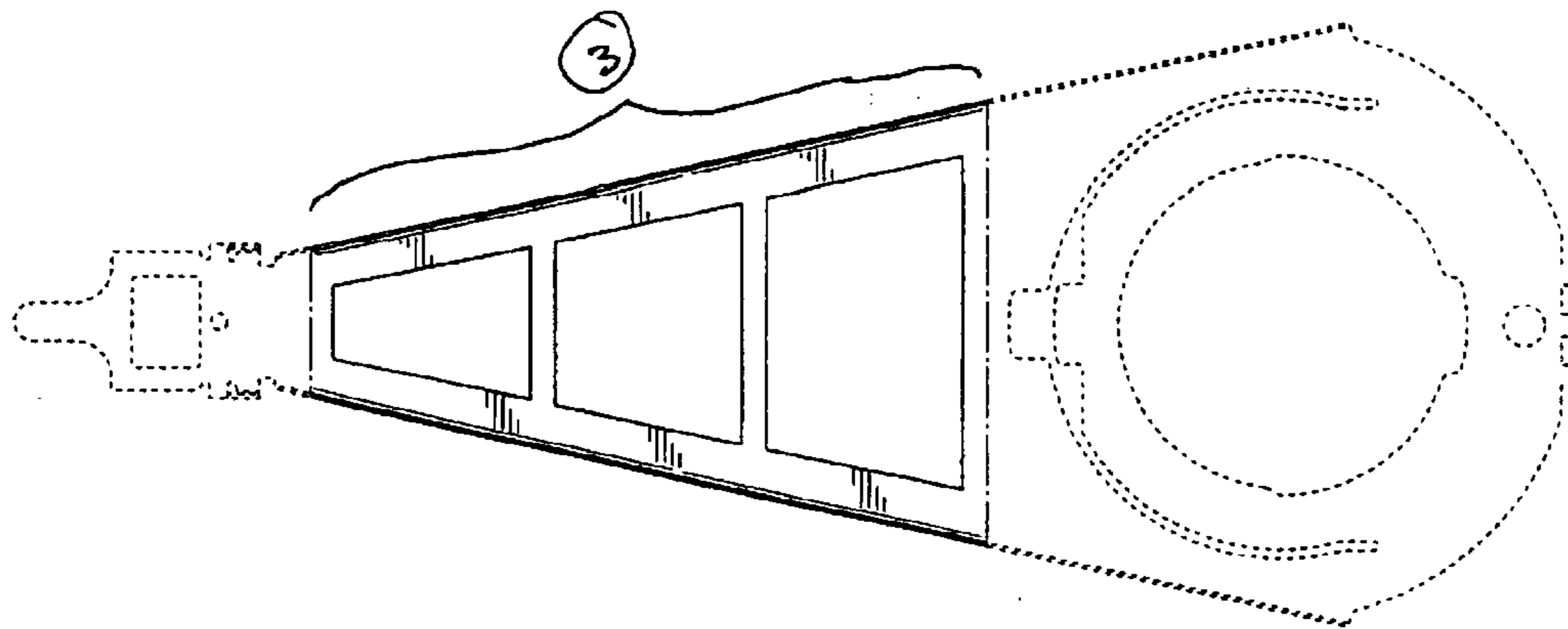


FIG. 3

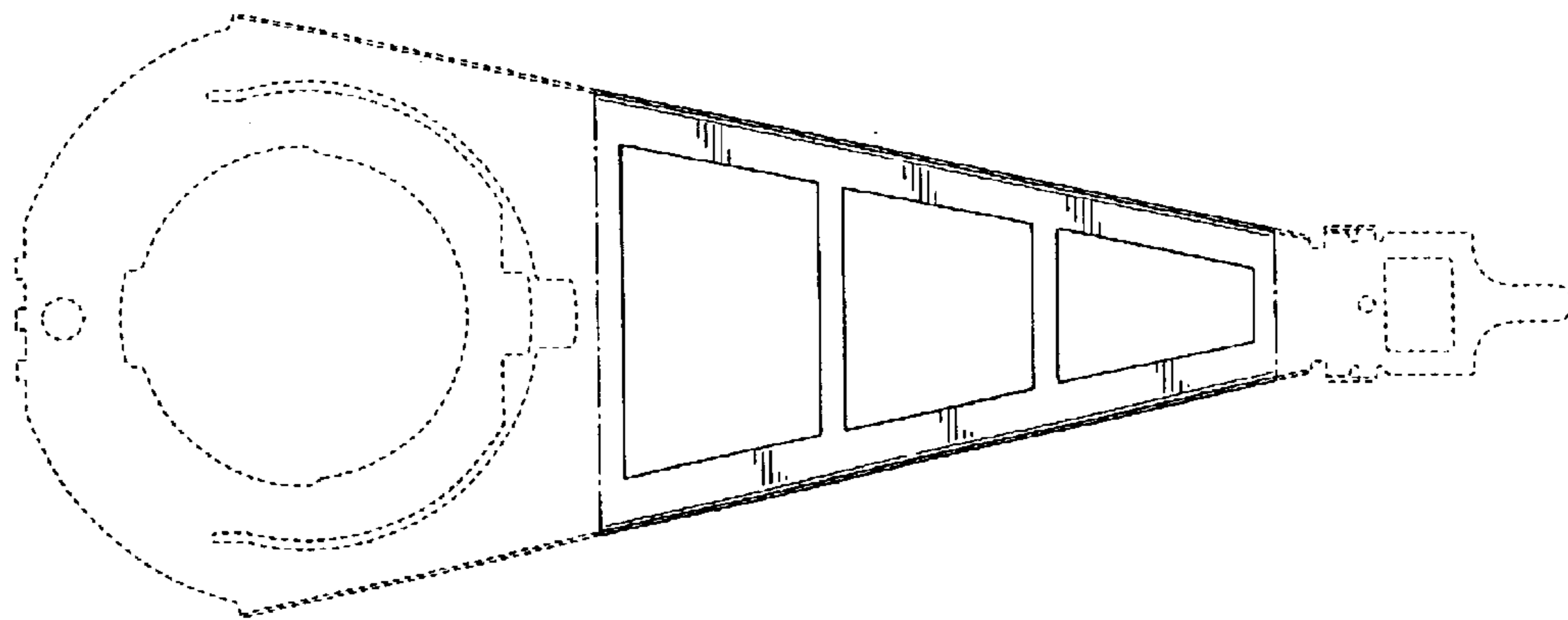


FIG. 4

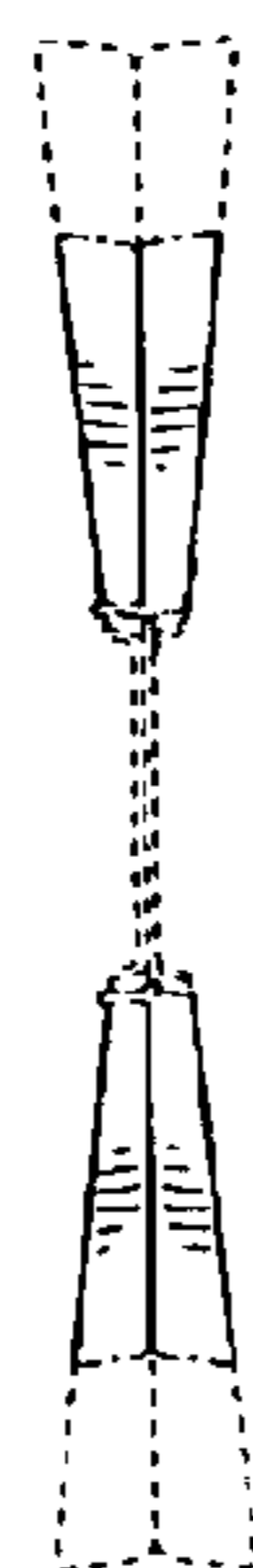


FIG. 5

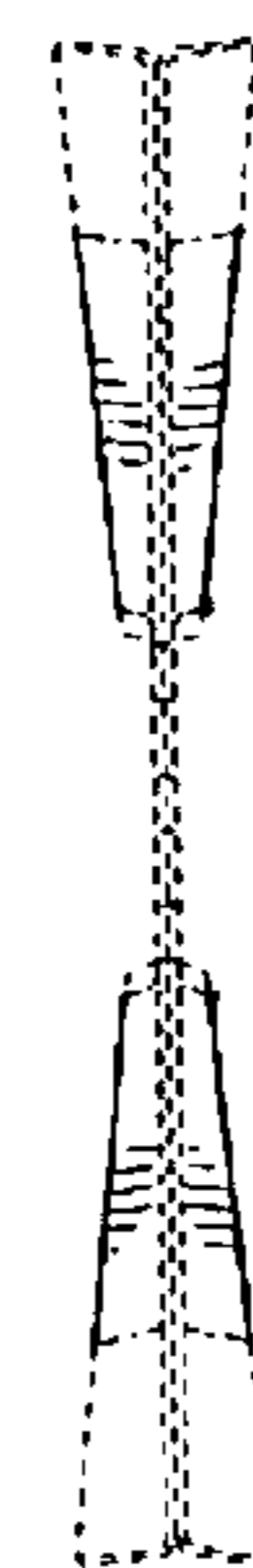


FIG. 6

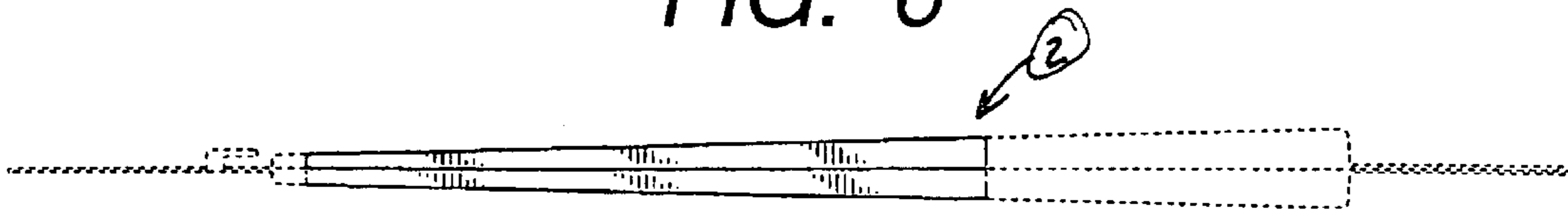


FIG. 7

