

US00D508486S

(12) **United States Design Patent**
Quilling, II

(10) **Patent No.: US D508,486 S**

(45) **Date of Patent: ** Aug. 16, 2005**

(54) **ISO/DIN AUTO STEREO MOUNTING
DEVICE WITH POCKET**

(75) **Inventor: R. Spencer Quilling, II**, Deland, FL
(US)

(73) **Assignee: Metra Electronics Corporation**, Holly
Hill, FL (US)

(**) **Term: 14 Years**

(21) **Appl. No.: 29/208,952**

(22) **Filed: Jul. 9, 2004**

(51) **LOC (8) Cl. 14-01**

(52) **U.S. Cl. D14/224; D14/258**

(58) **Field of Search** D14/204, 217,
D14/224, 229, 258; D12/223; 248/27.1,
27.3, 220.3, 221.3, 221.4, 558; 403/4; 455/345;
361/685

(56) **References Cited**

U.S. PATENT DOCUMENTS

5,106,039 A	4/1992	Gross	
5,467,947 A	11/1995	Quilling, II	
D401,591 S	11/1998	Jones, Jr.	
D418,838 S	1/2000	Jones, Jr.	
D478,903 S	* 8/2003	Metzler D14/257
D481,378 S	10/2003	Quilling, II et al.	
D481,707 S	11/2003	Quilling, II et al.	
D482,023 S	11/2003	Quilling, II et al.	
D482,024 S	11/2003	Quilling, II et al.	
D483,027 S	12/2003	Quilling, II et al.	
D484,495 S	12/2003	Quilling, II et al.	
D485,260 S	1/2004	Quilling, II et al.	
D488,462 S	4/2004	Quilling, II et al.	
D492,287 S	6/2004	Quilling, II	
D492,288 S	6/2004	Quilling, II	
D492,668 S	7/2004	Quilling, II	
D496,028 S	9/2004	Quilling, II	
D496,354 S	* 9/2004	Quilling, II D14/224

OTHER PUBLICATIONS

Metra 2001 Autosound Installation Products Catalog, pp.
cover, 1–62, Published May 2001.

Metra 2002 Autosound Installation Products Catalog, cover,
pp. 6–64, Published Oct. 2002.

U.S. Appl. No. 29/208,962, filed Jul. 9, 2004, Quilling.

U.S. Appl. No. 29/208,963, filed Jul. 9, 2004, Quilling.

U.S. Appl. No. 29/208,961, filed Jul. 9, 2004, Quilling.

U.S. Appl. No. 29/208,951, filed Jul. 9, 2004, Quilling.

U.S. Appl. No. 29/201,506, filed Mar. 17, 2004, Quilling.

U.S. Appl. No. 29/201,505, filed Mar. 17, 2004, Quilling.

U.S. Appl. No. 29/201,504, filed Mar. 17, 2004, Quilling.

U.S. Appl. No. 29/201,507, filed Mar. 17, 2004, Quilling.

U.S. Appl. No. 29/188,825, filed Aug. 26, 2003, Quilling.

U.S. Appl. No. 29/188,820, filed Aug. 26, 2003, Quilling.

U.S. Appl. No. 29/188,823, filed Aug. 26, 2003, Quilling.

* cited by examiner

Primary Examiner—Paula A. Greene

(74) *Attorney, Agent, or Firm*—Fitzpatrick, Cella, Harper &
Scinto

(57) **CLAIM**

I claim the ornamental design for an ISO/DIN auto stereo
mounting device with pocket, as shown and described.

DESCRIPTION

FIG. 1 is a right front perspective view of an ISO/DIN auto
stereo mounting device with pocket, showing my design;

FIG. 2 is a front elevation view of FIG. 1;

FIG. 3 is a rear elevation view of FIG. 1;

FIG. 4A is a left side elevation view of FIG. 1;

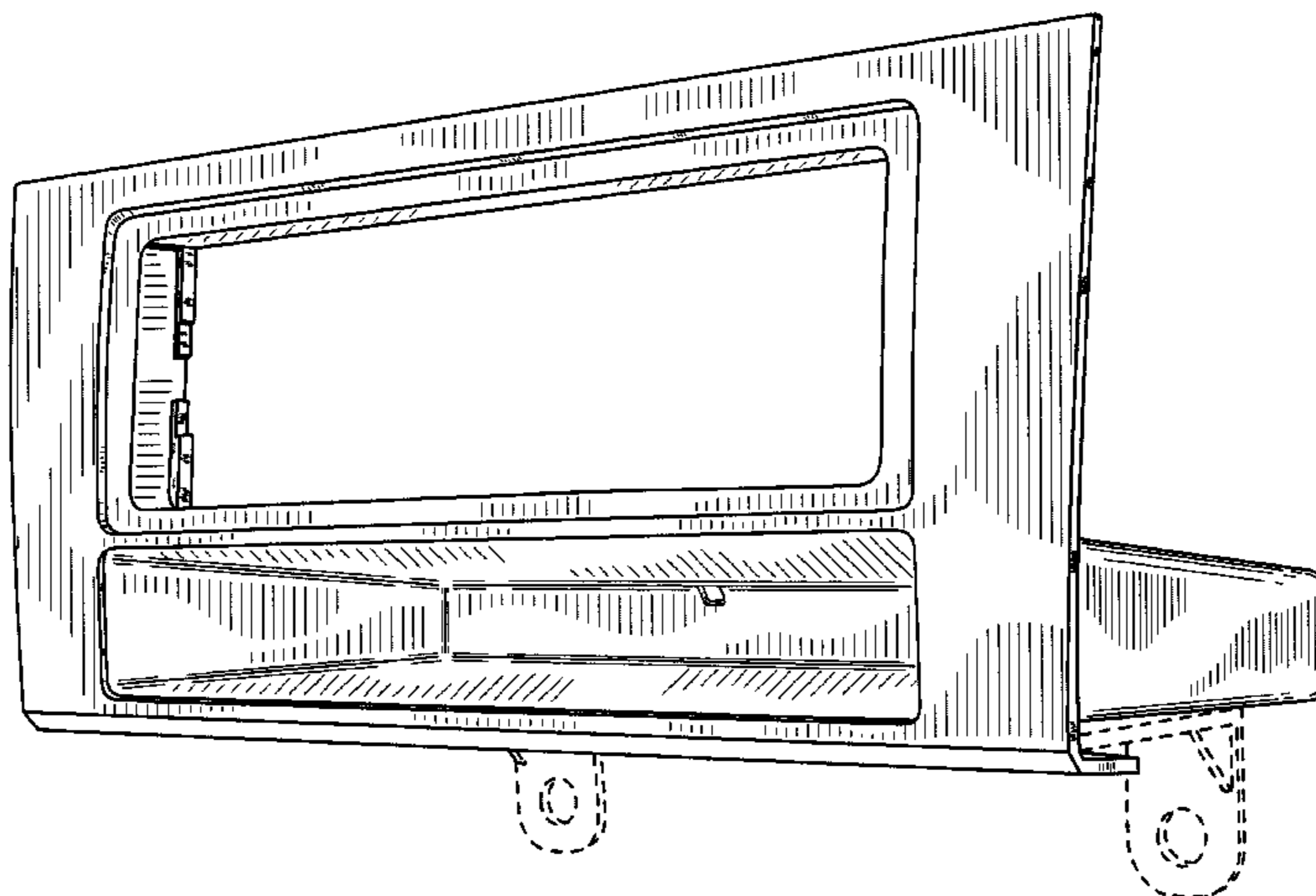
FIG. 4B is a right side elevation in cross-section, along line
4B—4B of FIG. 2, to better illustrate certain features of the
disclosed design;

FIG. 5 is a top plan view of FIG. 1; and,

FIG. 6 is a bottom plan view of FIG. 1.

The mounting structure shown in dotted line forms no part
of the claimed design.

1 Claim, 7 Drawing Sheets



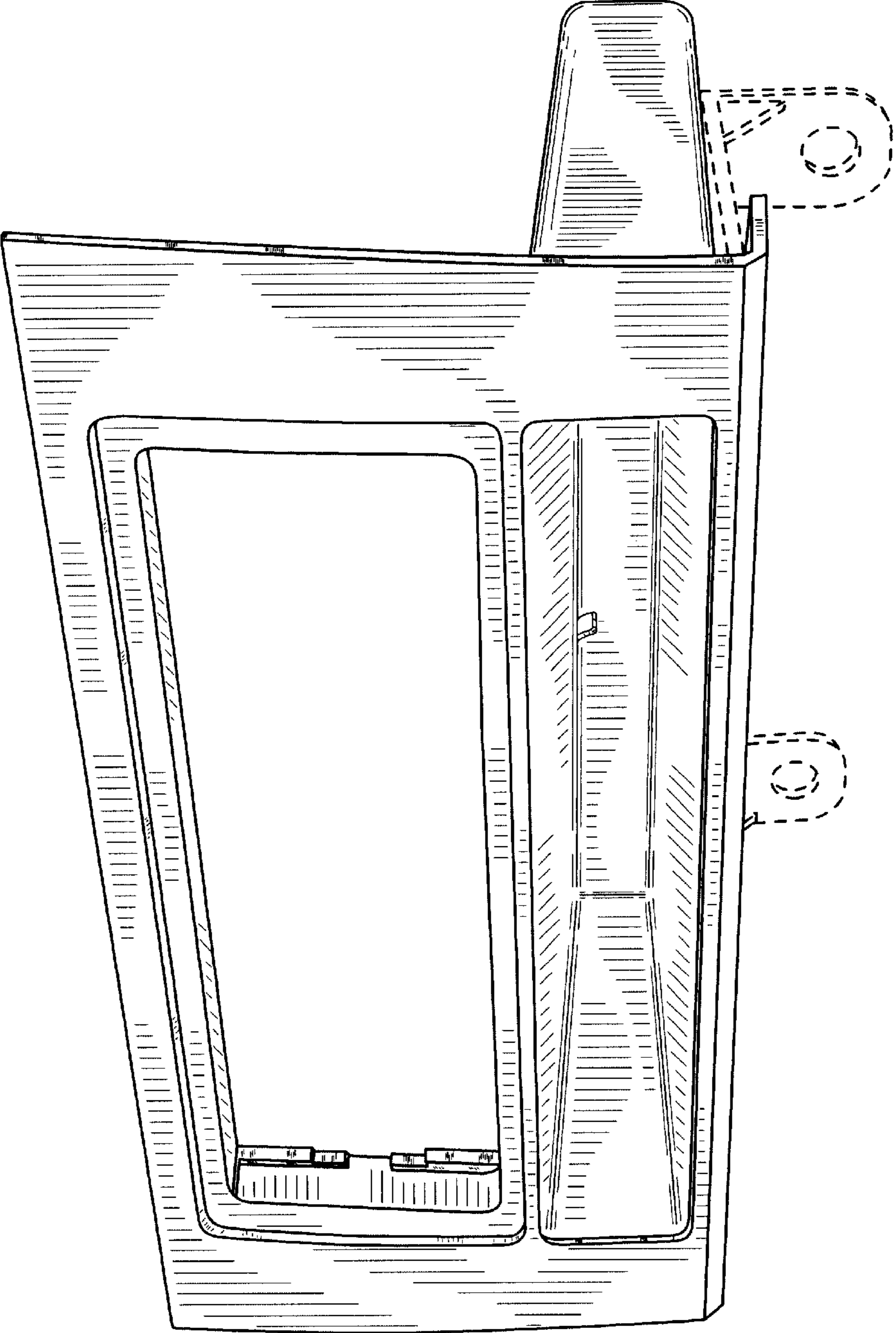


FIG. 1

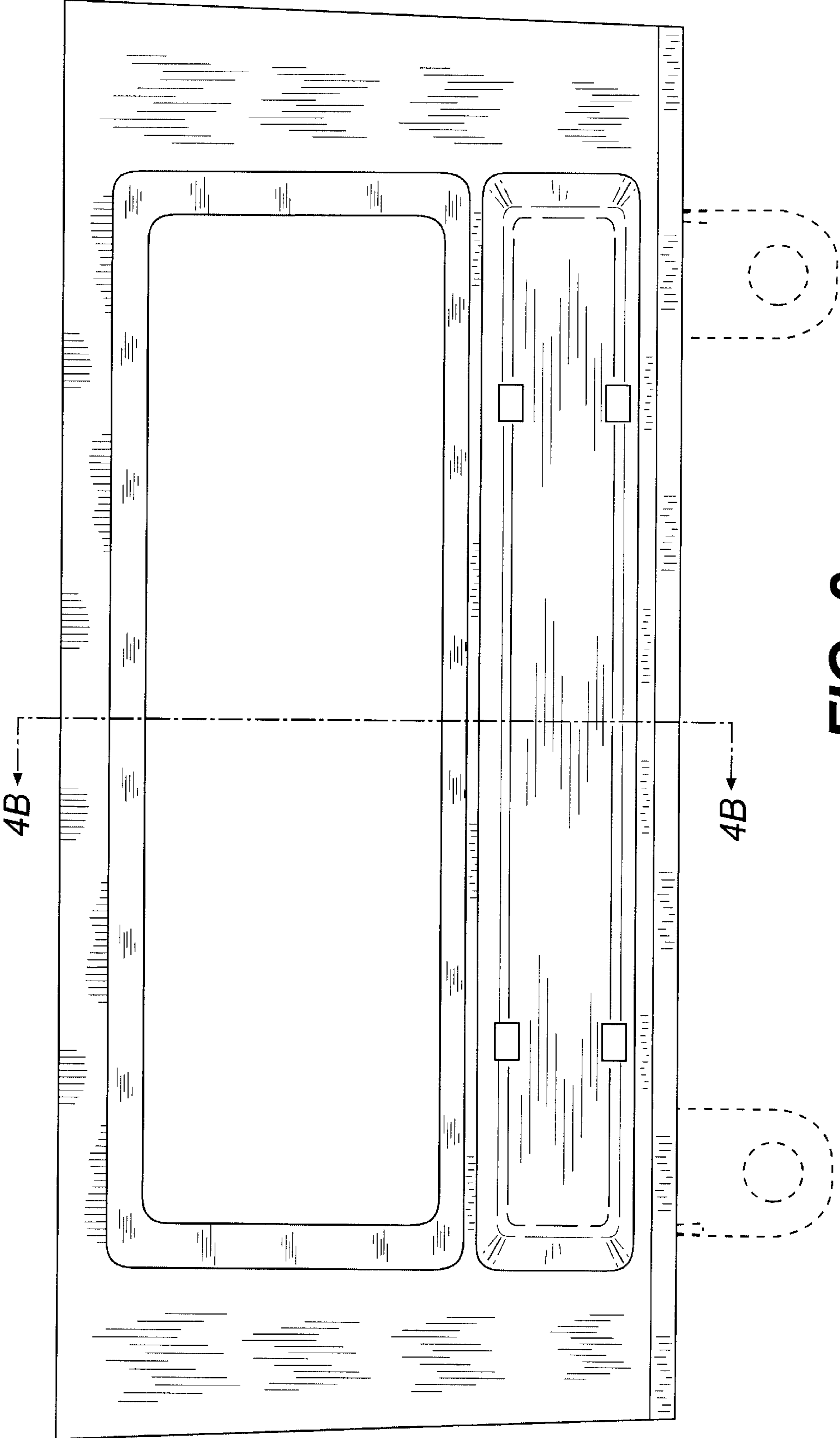


FIG. 2

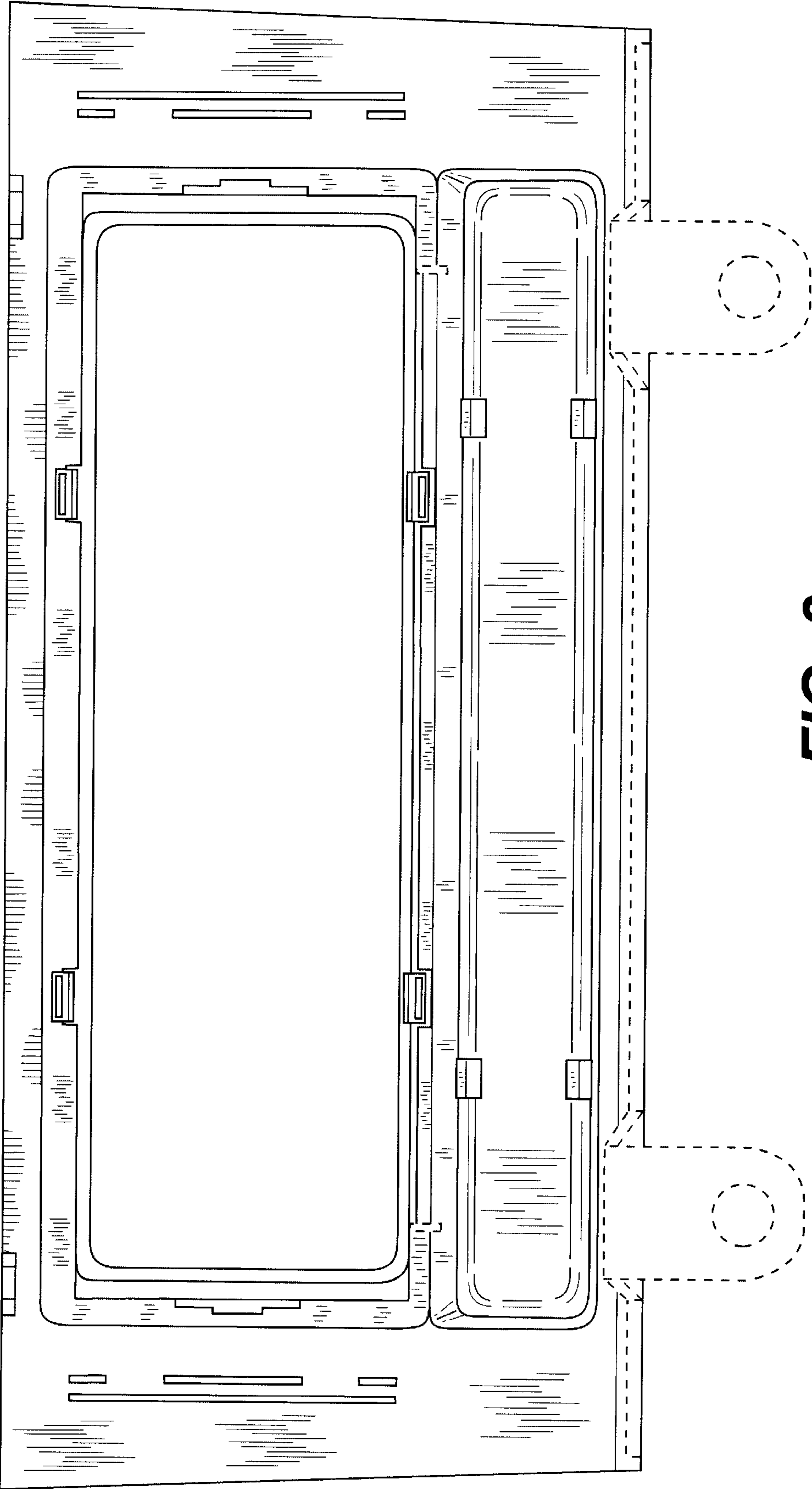


FIG. 3

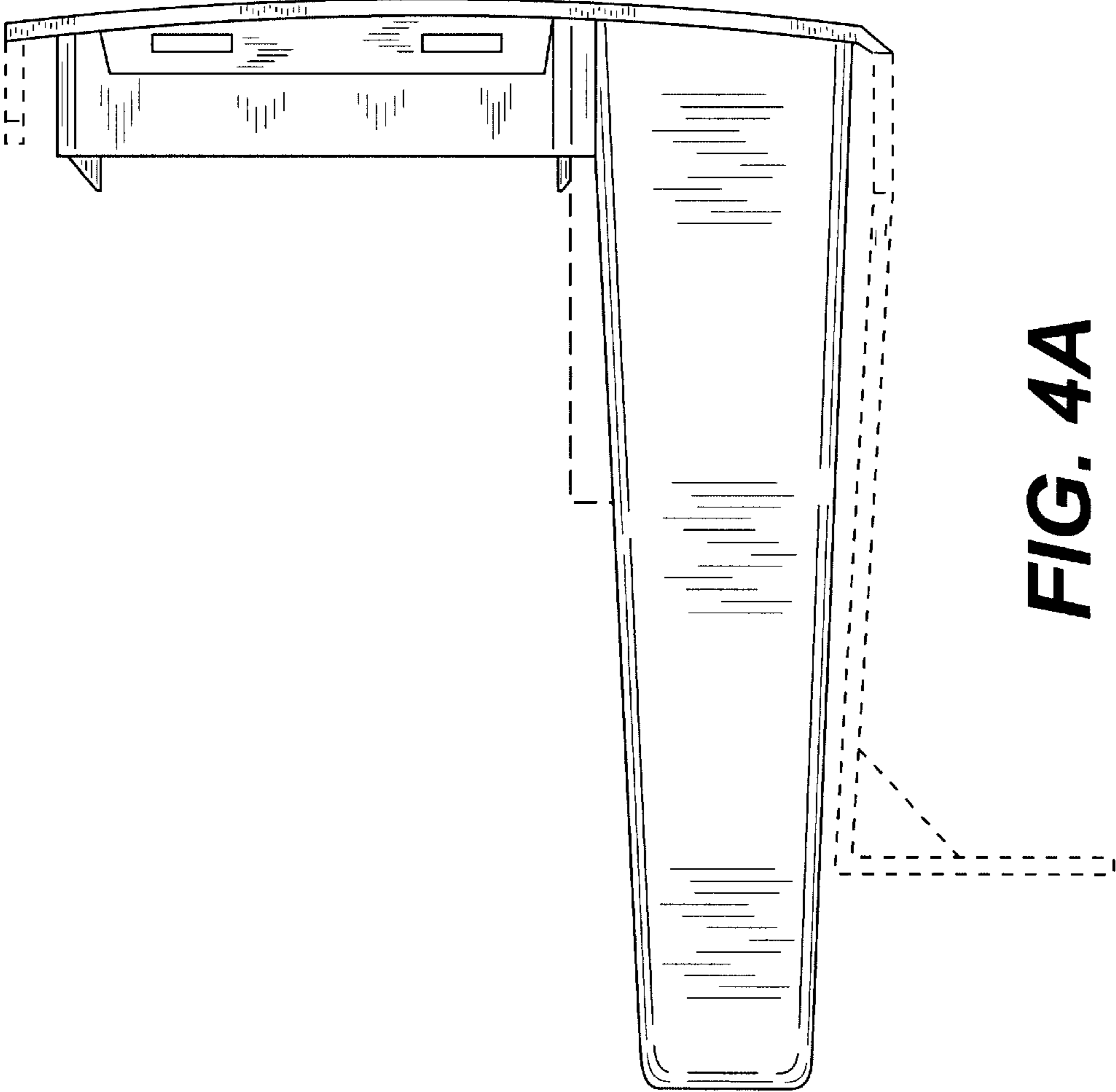


FIG. 4A

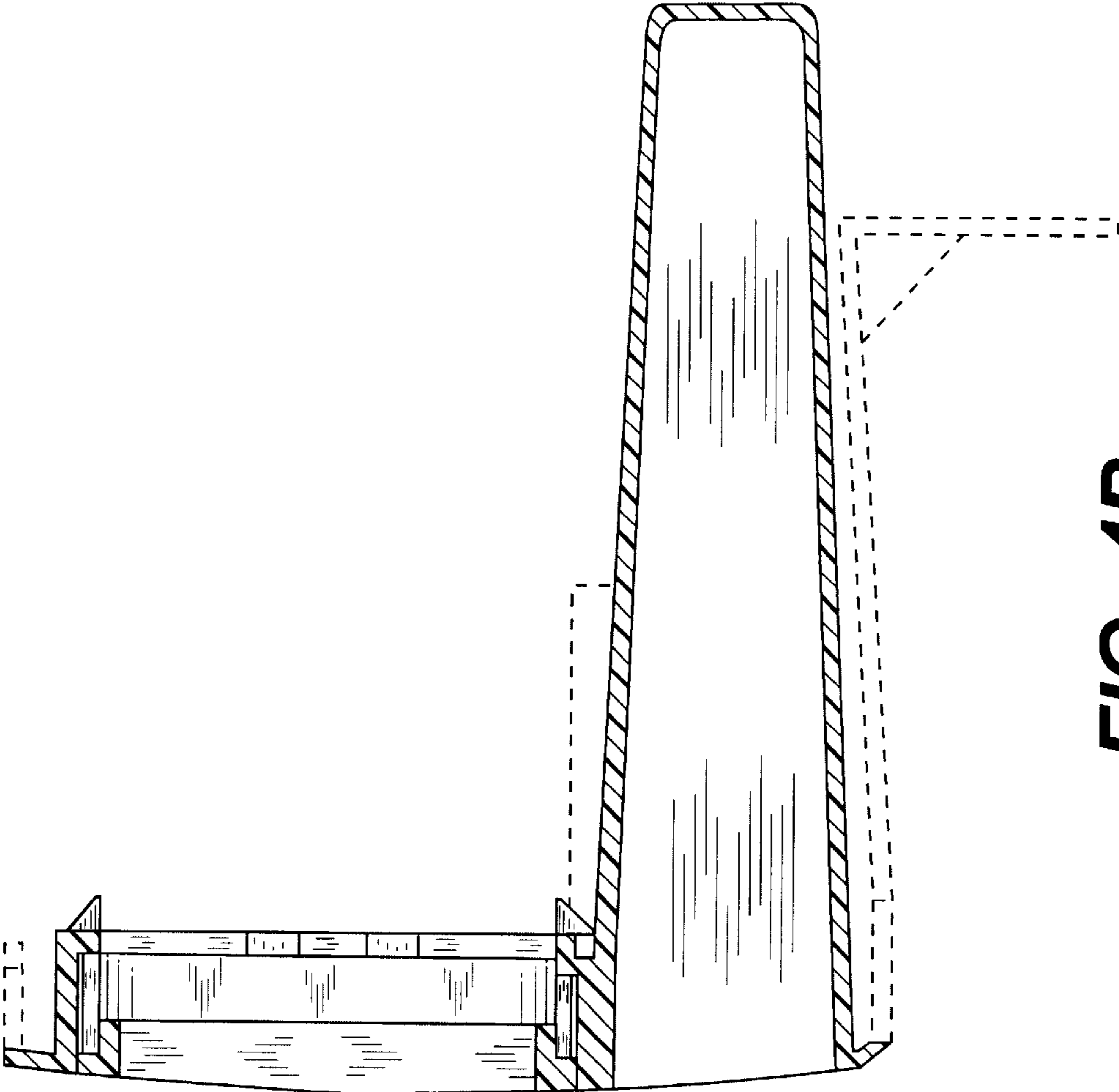


FIG. 4B

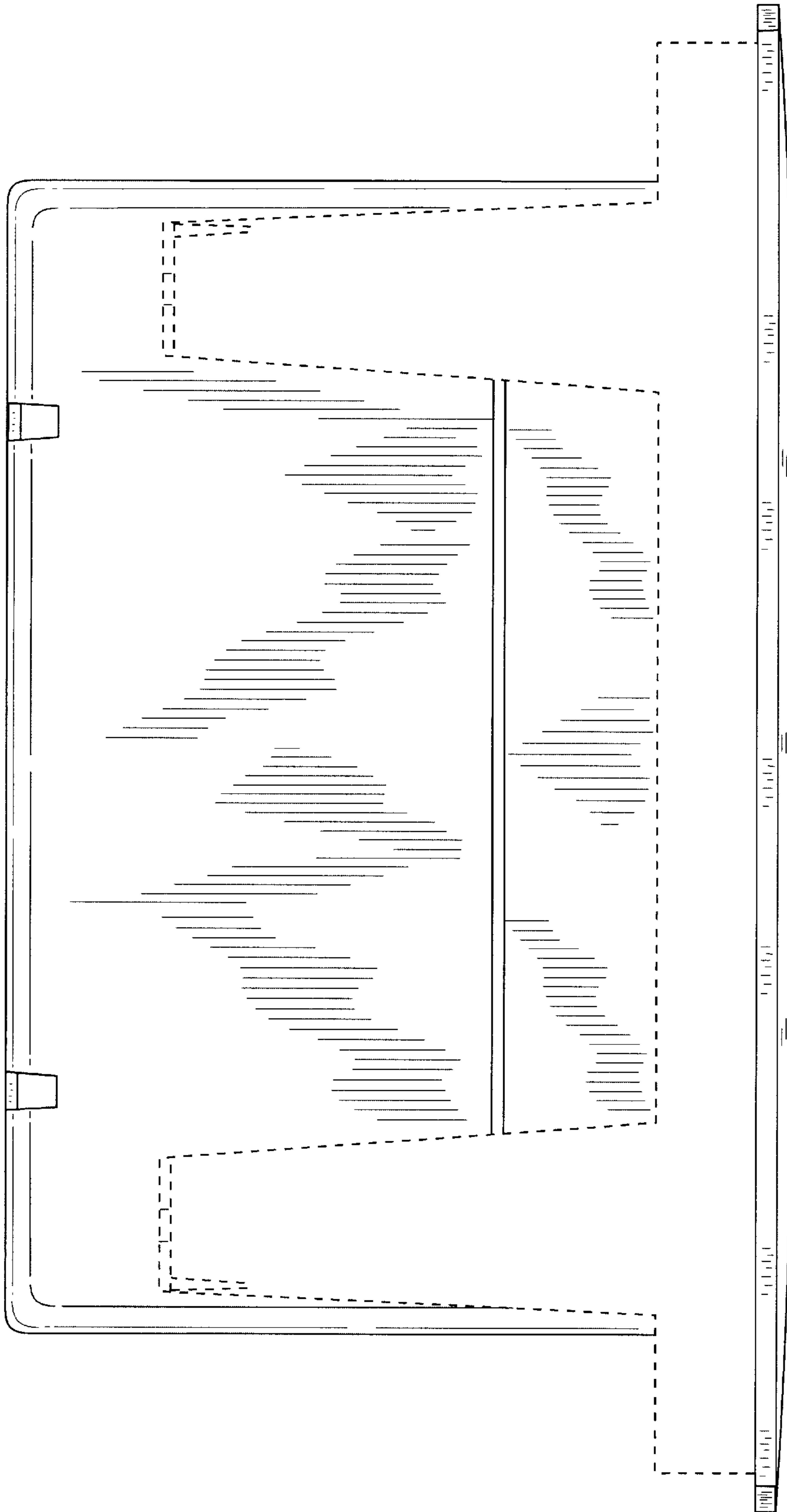


FIG. 5

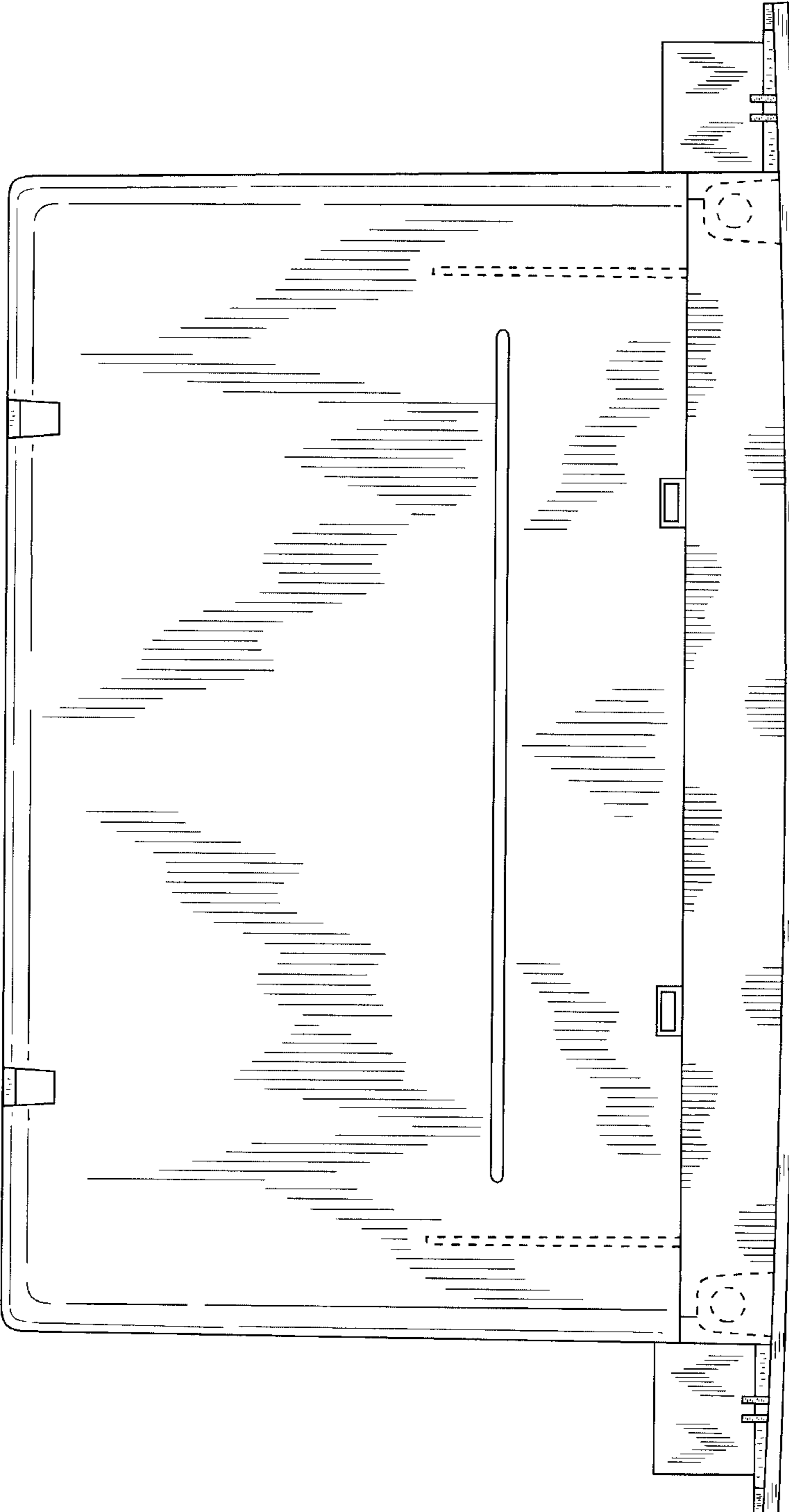


FIG. 6