

US00D508485S

(12) **United States Design Patent**
Katsumata

(10) **Patent No.:** **US D508,485 S**

(45) **Date of Patent:** **** Aug. 16, 2005**

(54) **HEADSET**

(75) **Inventor:** **Jun Katsumata**, Singapore (SG)

(73) **Assignee:** **Sony Ericsson Mobile Communications AB**, Lund (SE)

(**) **Term:** **14 Years**

(21) **Appl. No.:** **29/210,744**

(22) **Filed:** **Aug. 6, 2004**

(30) **Foreign Application Priority Data**

Feb. 11, 2004 (EM) 132584

(51) **LOC (8) Cl.** **14-01**

(52) **U.S. Cl.** **D14/223; D14/205**

(58) **Field of Search** D14/205, 206,
D14/223, 192; D24/174; 379/430, 446;
381/381, 378, 379, 374, 376, 377, 330;
181/129, 130

(56) **References Cited**

U.S. PATENT DOCUMENTS

D471,889 S * 3/2003 Rath et al. D14/205

D478,574 S * 8/2003 Ming D14/223

D494,569 S * 8/2004 Ma D14/223

D494,570 S * 8/2004 Ma D14/223

D497,613 S * 10/2004 Gwee D14/223

D498,750 S * 11/2004 Ma D14/223

* cited by examiner

Primary Examiner—Paula A. Greene

(74) *Attorney, Agent, or Firm*—Albihns Stockholm

(57) **CLAIM**

The ornamental design for a headset, as shown.

DESCRIPTION

FIG. 1 is a front left perspective view of a headset according to my new design;

FIG. 2 is a front view thereof;

FIG. 3 is a left side view thereof;

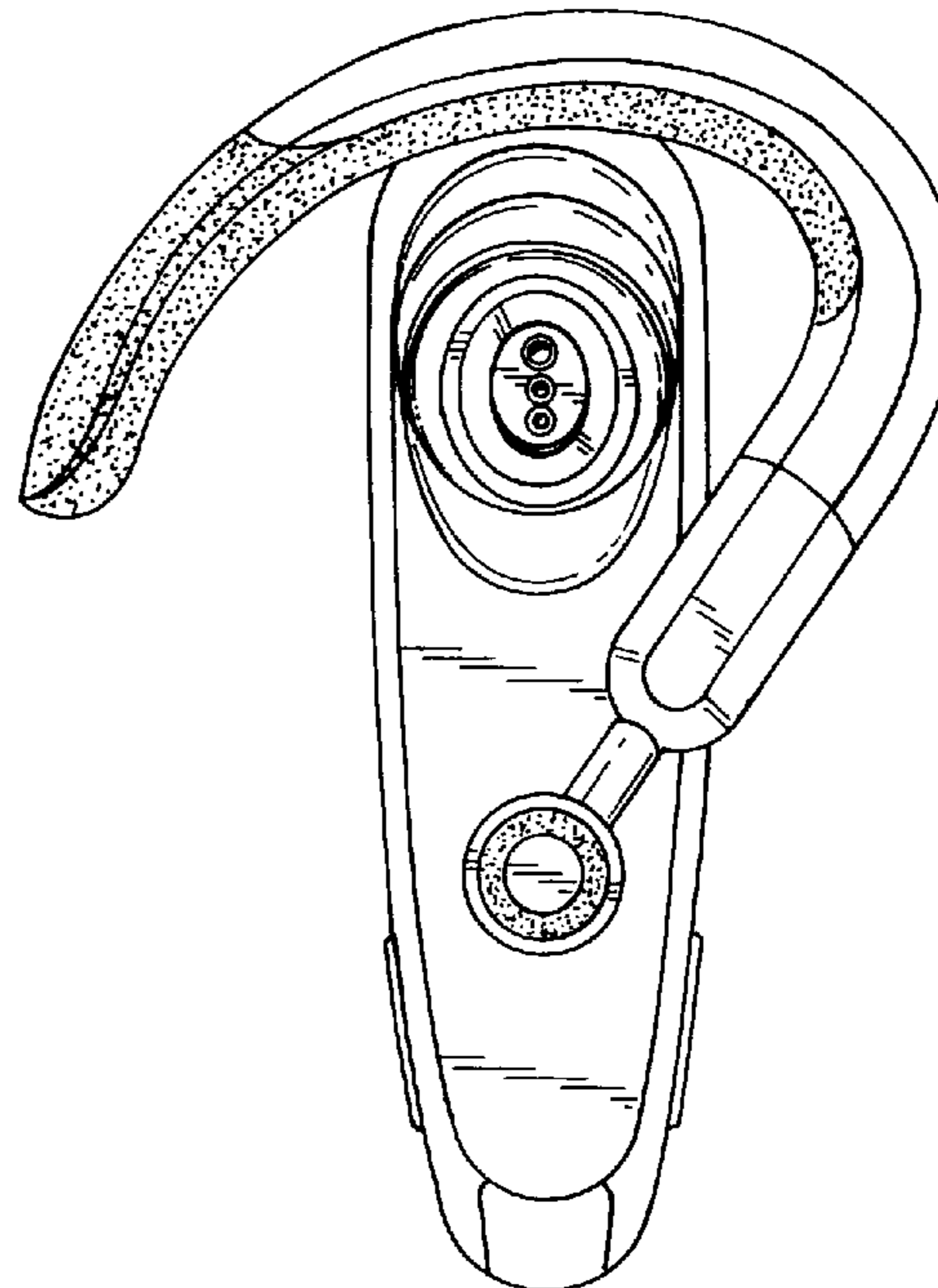
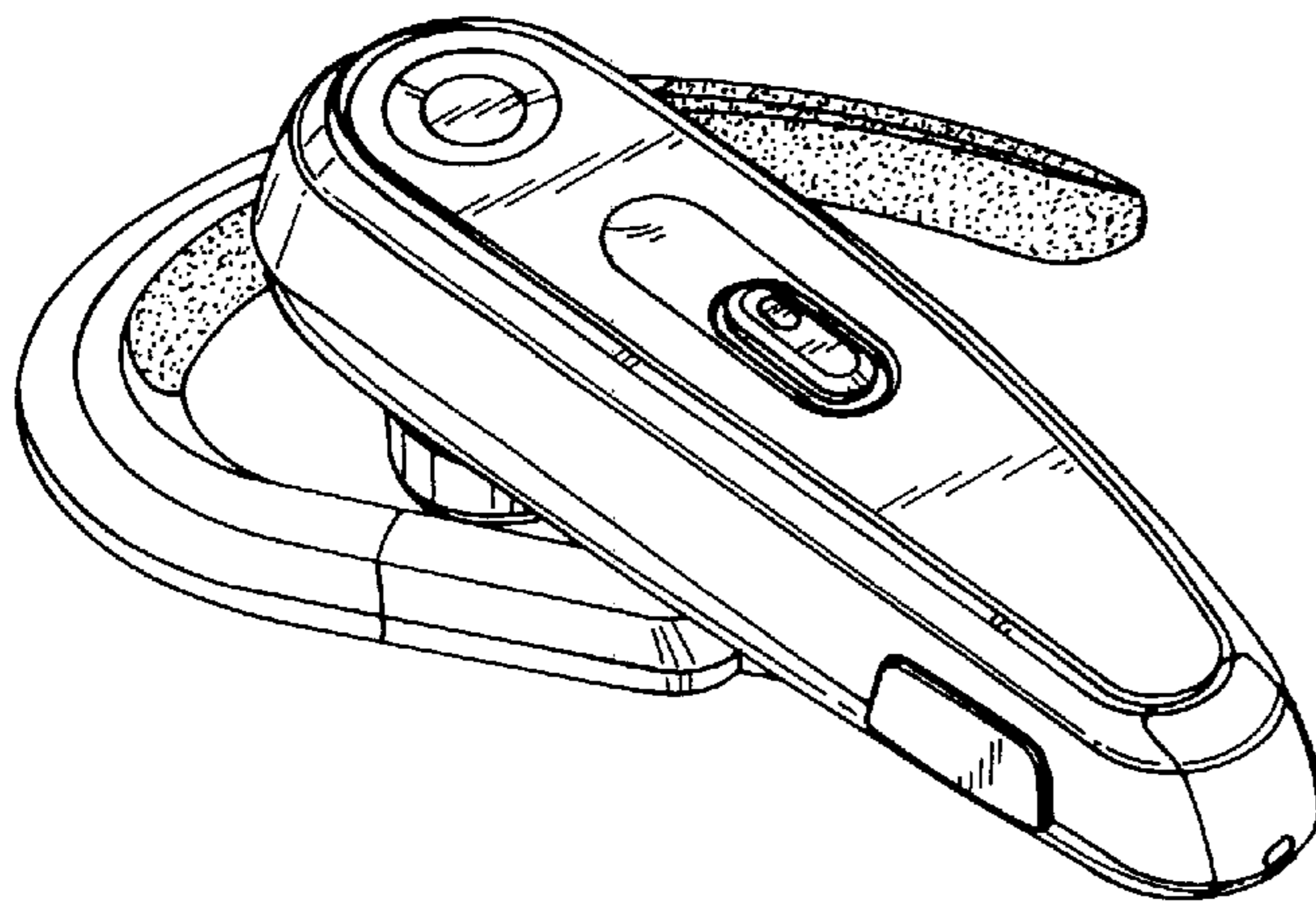
FIG. 4 is a right side view thereof;

FIG. 5 is a rear view thereof;

FIG. 6 is a top plan view thereof; and,

FIG. 7 is a bottom plan view thereof.

1 Claim, 2 Drawing Sheets



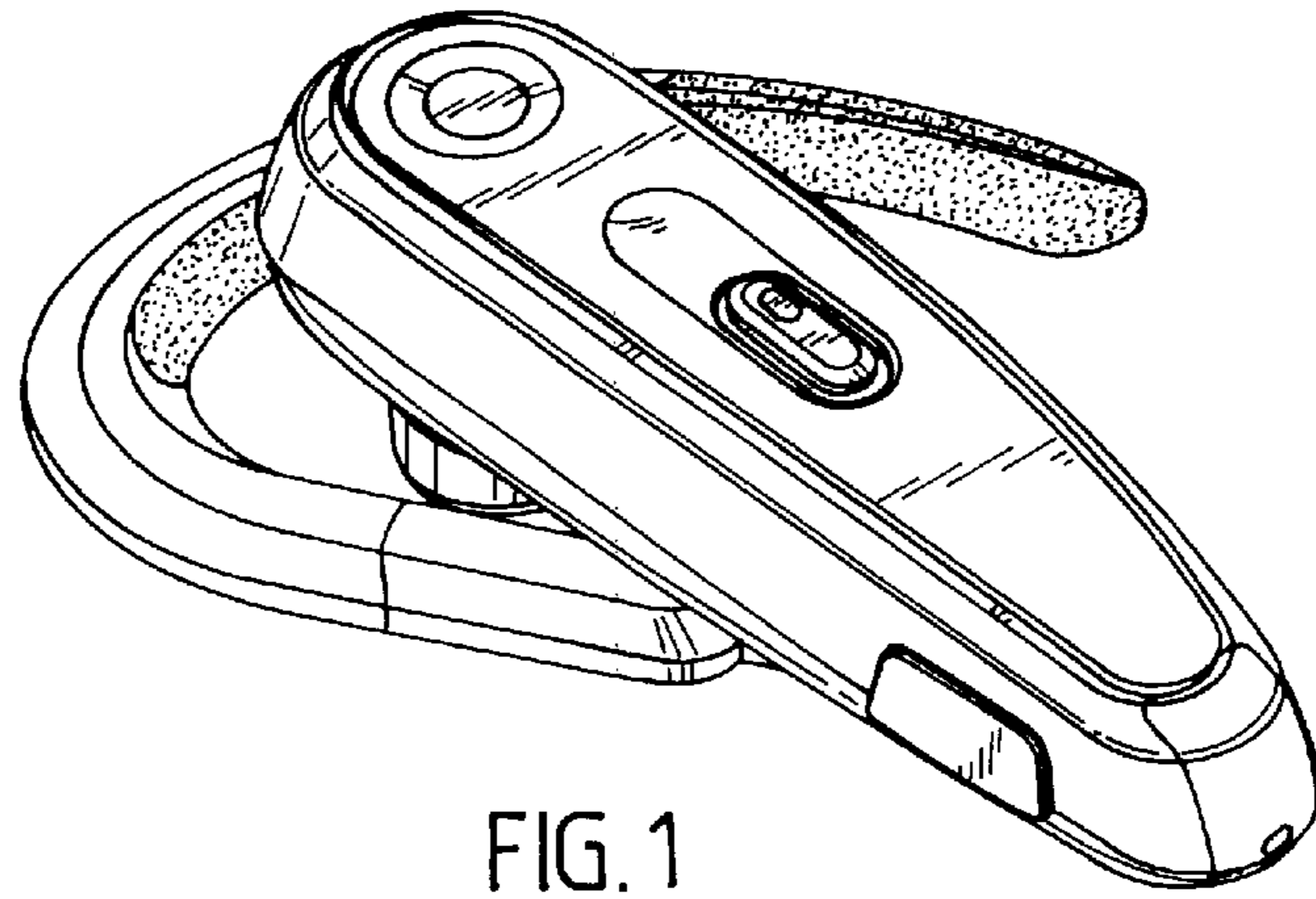


FIG. 1

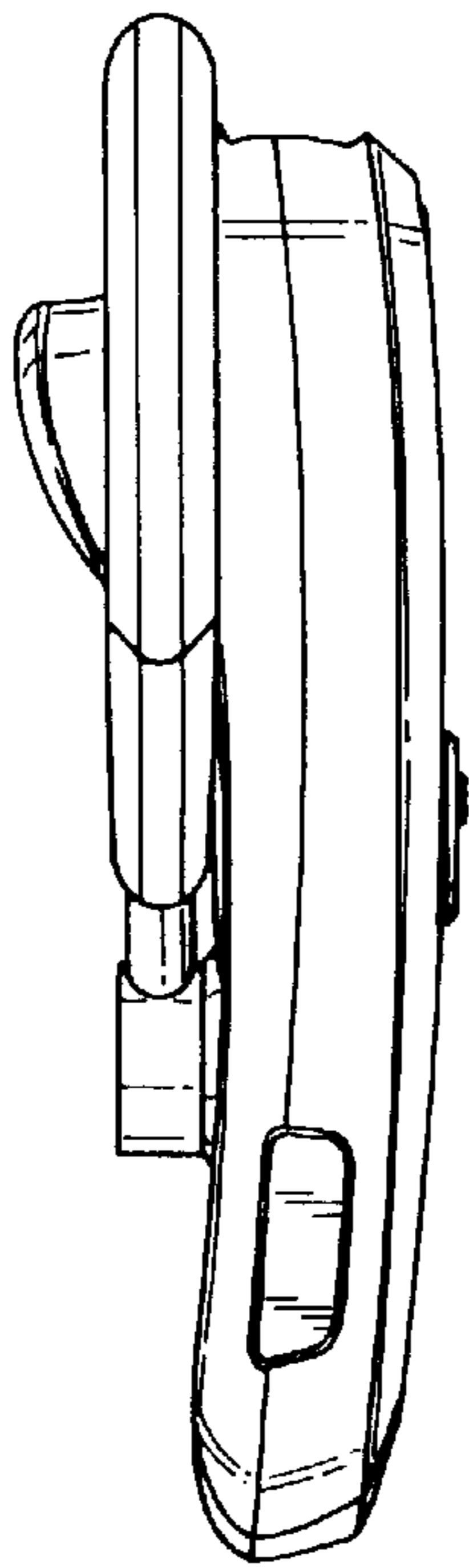


FIG. 3

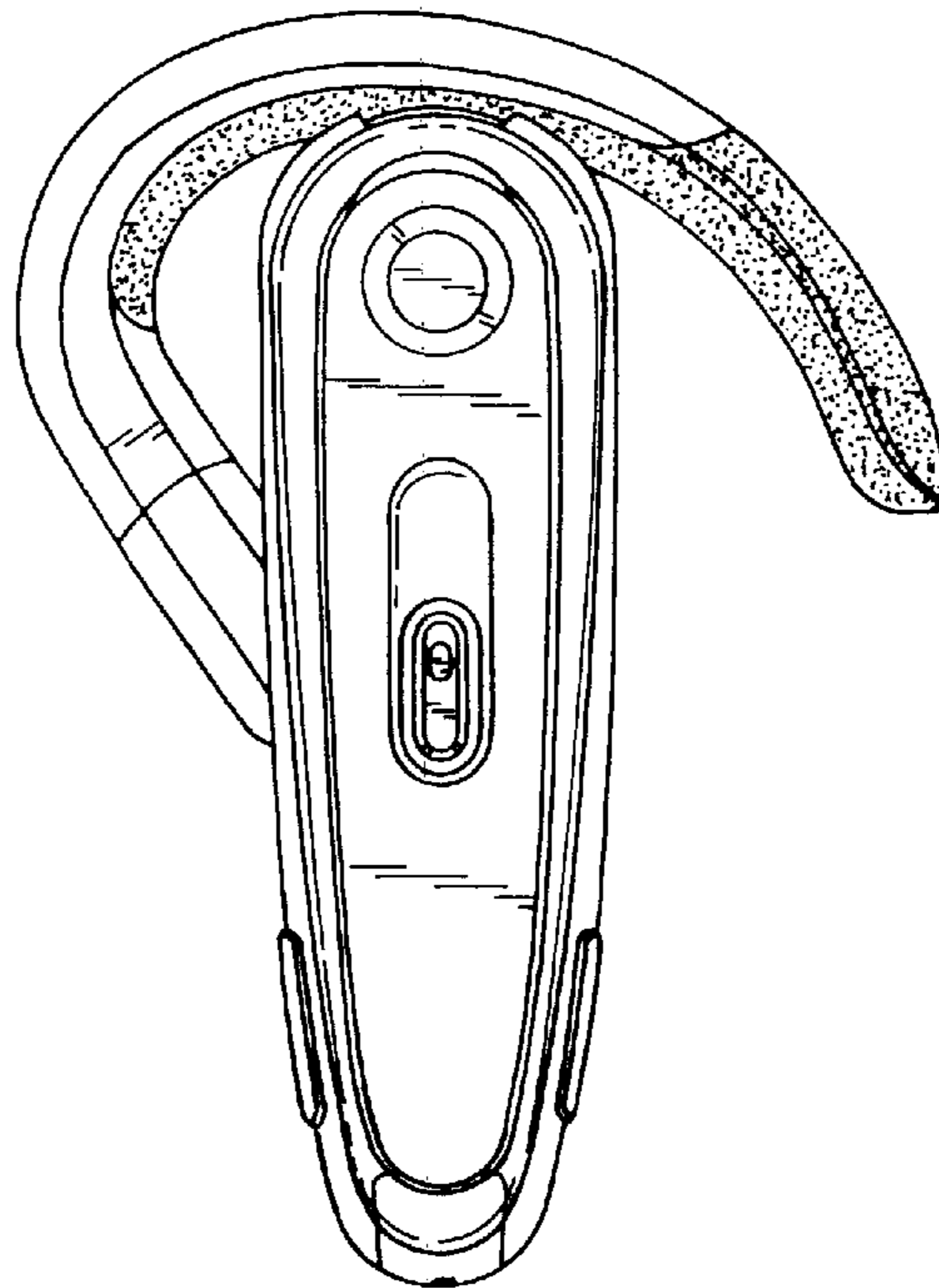


FIG. 2

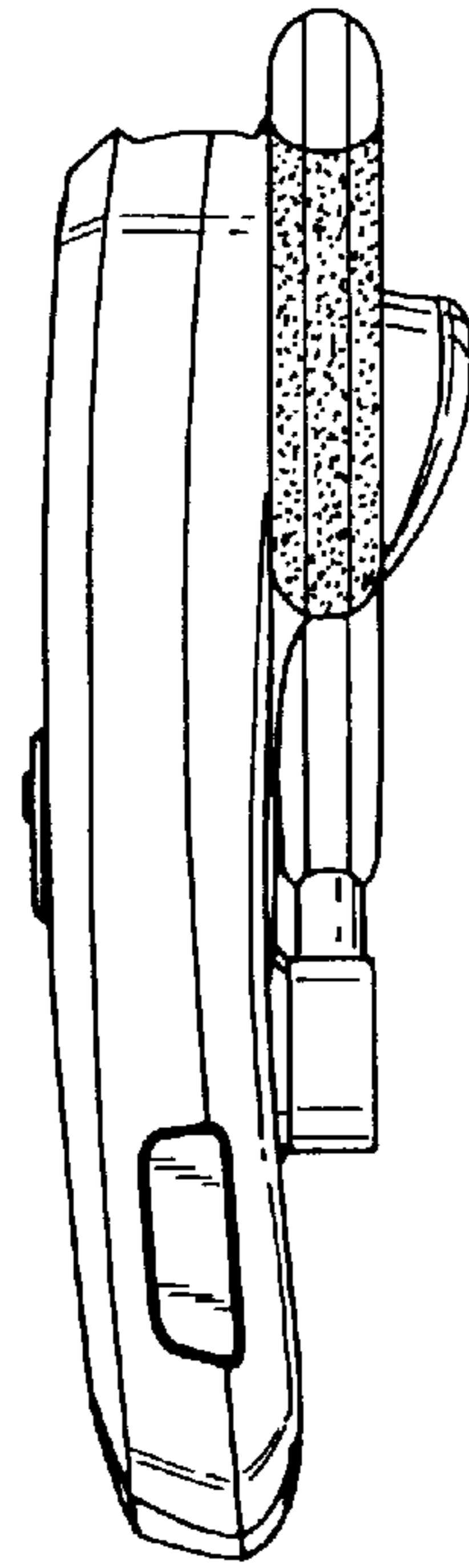


FIG. 4

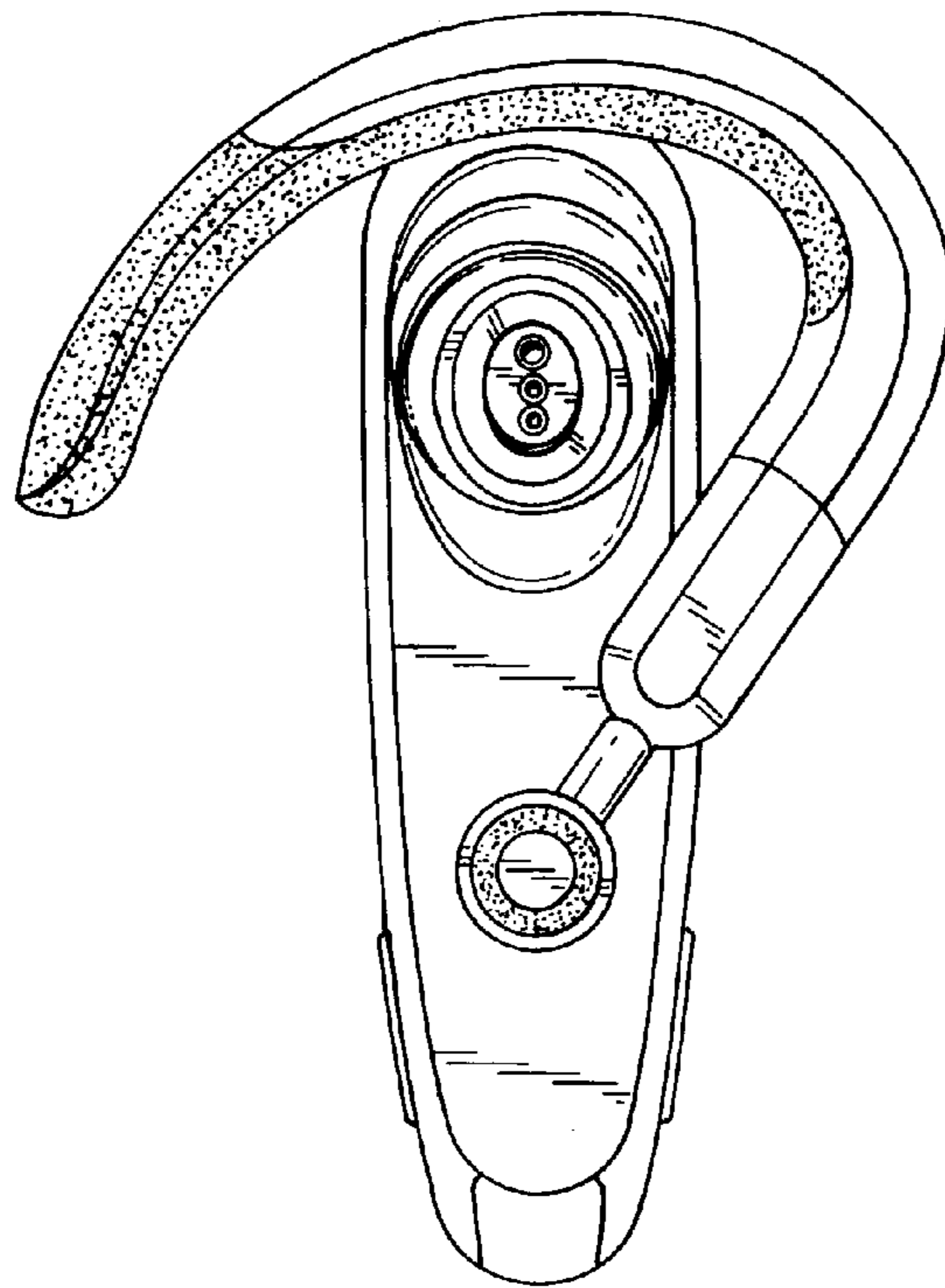


FIG. 5

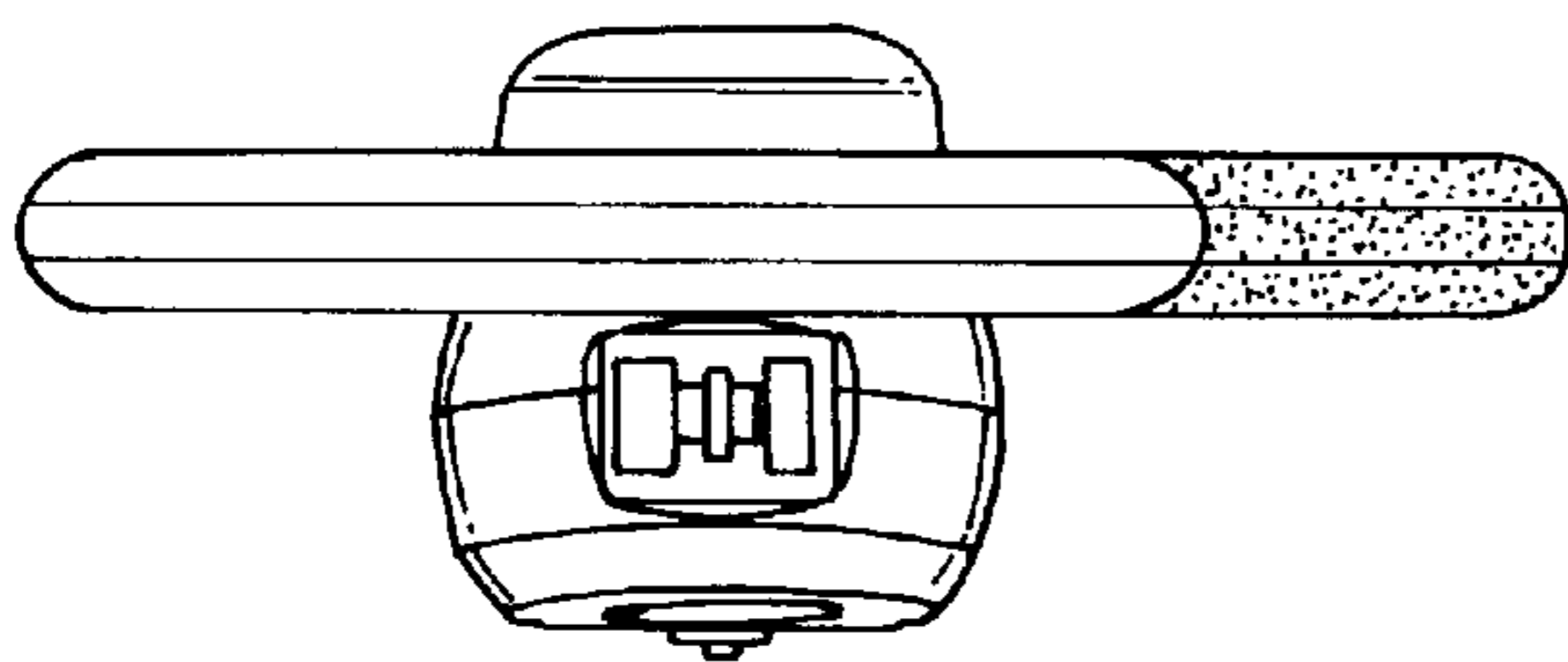


FIG. 6

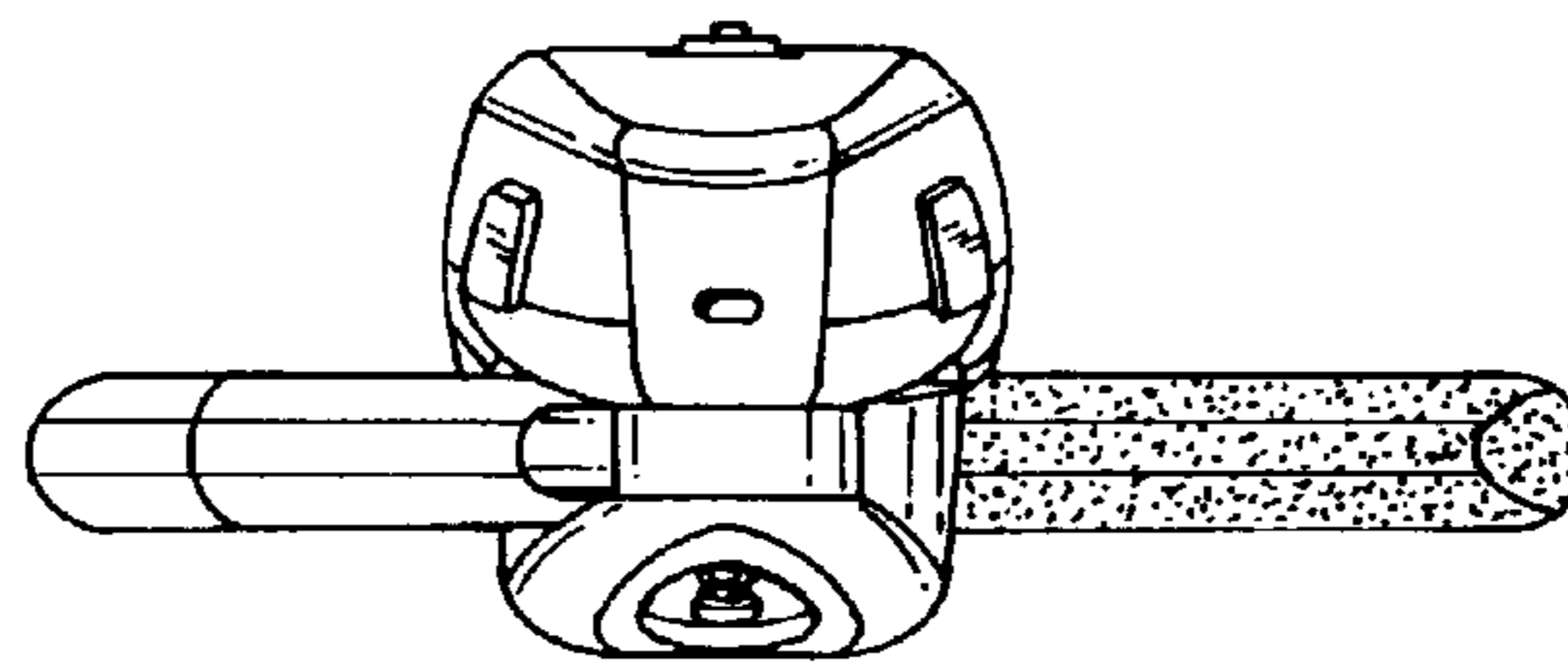


FIG. 7