

US00D508484S

(12) **United States Design Patent**
Okada

(10) **Patent No.:** **US D508,484 S**
(45) **Date of Patent:** **** Aug. 16, 2005**

(54) **EARPHONE WITH MICROPHONE**

FOREIGN PATENT DOCUMENTS

- (75) Inventor: **Norio Okada**, Yokohama (JP)
- (73) Assignee: **Matsushita Electric Industrial Co., Ltd.**, Osaka (JP)
- (**) Term: **14 Years**
- (21) Appl. No.: **29/209,767**
- (22) Filed: **Jul. 21, 2004**
- (51) **LOC (8) Cl.** **14-01**
- (52) **U.S. Cl.** **D14/223; D14/205**
- (58) **Field of Search** D14/192, 205,
D14/206, 223; D24/173, 174; 181/129;
381/381, 374, 376, 377, 378, 379, 330;
455/351; 379/430

JP	D1062429	2/2000
JP	D1125517	11/2001
JP	D1134243	2/2002
JP	D1134719	2/2002
JP	D1138772	4/2002
JP	D1138773	4/2002
JP	D1150622	8/2002
JP	D1151310	8/2002
JP	D1152541	9/2002
JP	D1165568	2/2003
JP	D1165586	2/2003
JP	D1166441	3/2003
JP	D1166901	3/2003
JP	D1179310	7/2003

* cited by examiner

Primary Examiner—Paula A. Greene
(74) *Attorney, Agent, or Firm*—Brinks Hofer Gilson & Lione

(56) **References Cited**

U.S. PATENT DOCUMENTS

D383,757 S	9/1997	Dobrusskin et al.	
D394,436 S	5/1998	Hall et al.	
D425,888 S	5/2000	Fitzgerald	
D429,229 S	8/2000	Fitzgerald	
6,195,441 B1 *	2/2001	Ito	381/381
D443,261 S	6/2001	Yuyama	
D449,290 S	10/2001	Taylor et al.	
D456,379 S	4/2002	Fitzgerald	
D462,943 S	9/2002	Lucaci et al.	
6,449,374 B1 *	9/2002	Skulley et al.	381/381
D463,791 S	10/2002	Nagai et al.	
D464,949 S	10/2002	DeKalb et al.	
D477,593 S	7/2003	Komiyama	
D478,573 S	8/2003	Wrisley et al.	
D478,901 S	8/2003	Rath et al.	
D480,711 S	10/2003	Kuan	
D485,549 S	1/2004	Ma et al.	
D488,461 S	4/2004	Okada et al.	
6,728,388 B1 *	4/2004	Nageno et al.	381/381
D498,750 S	11/2004	Ma	

(57) **CLAIM**

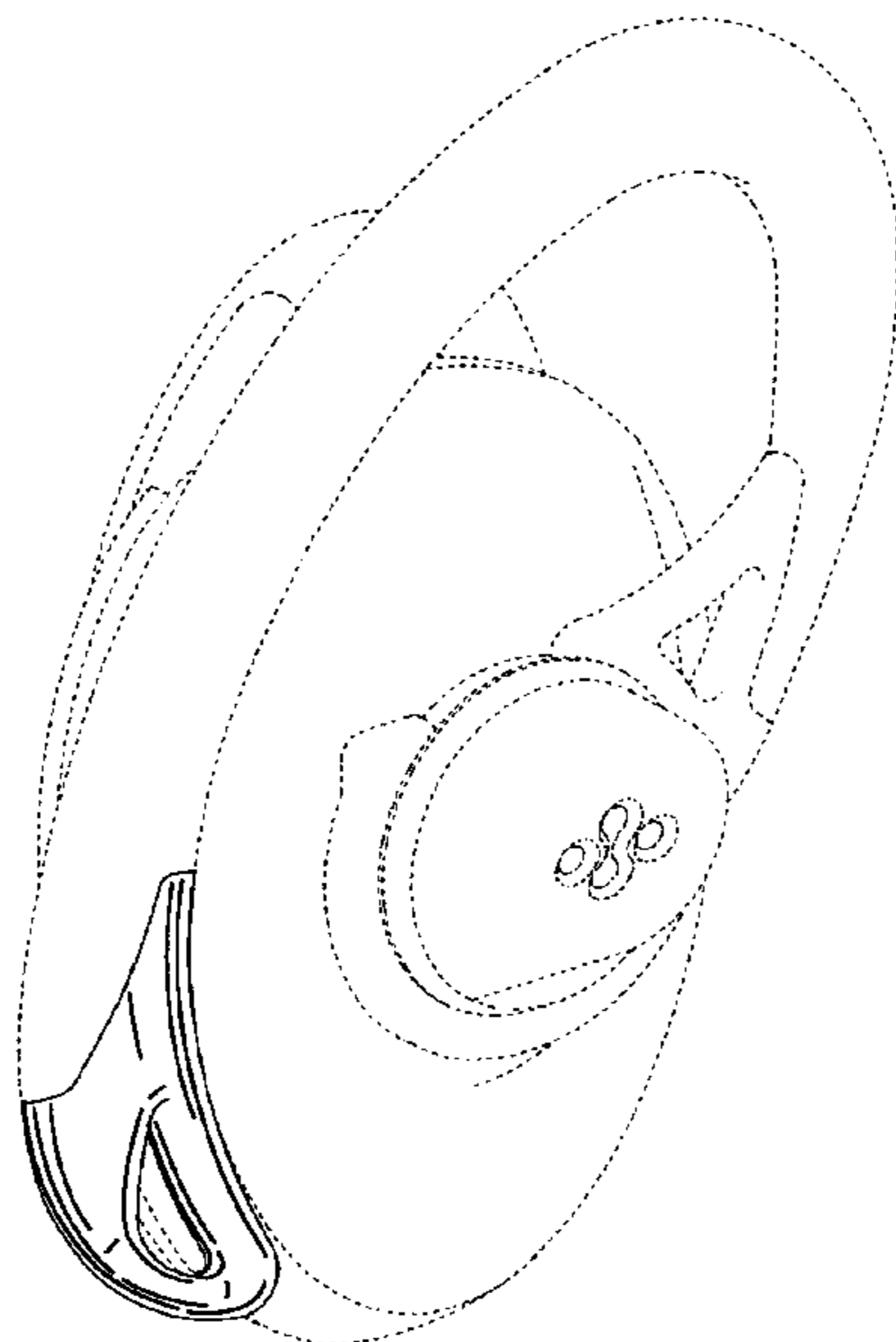
I claim the ornamental design for an earphone with microphone, as shown and described.

DESCRIPTION

FIG. 1 is a top perspective view of an earphone with microphone of the present invention;
FIG. 2 is a front view thereof;
FIG. 3 is a bottom view thereof;
FIG. 4 is a first side view thereof;
FIG. 5 is a second side view thereof;
FIG. 6 is a top view thereof; and,
FIG. 7 is a rear view thereof.

The ornamental design which is claimed is shown in solid lines in the drawings. Any broken lines in the drawings are for illustrative purposes only and form no part of the claimed design.

1 Claim, 4 Drawing Sheets



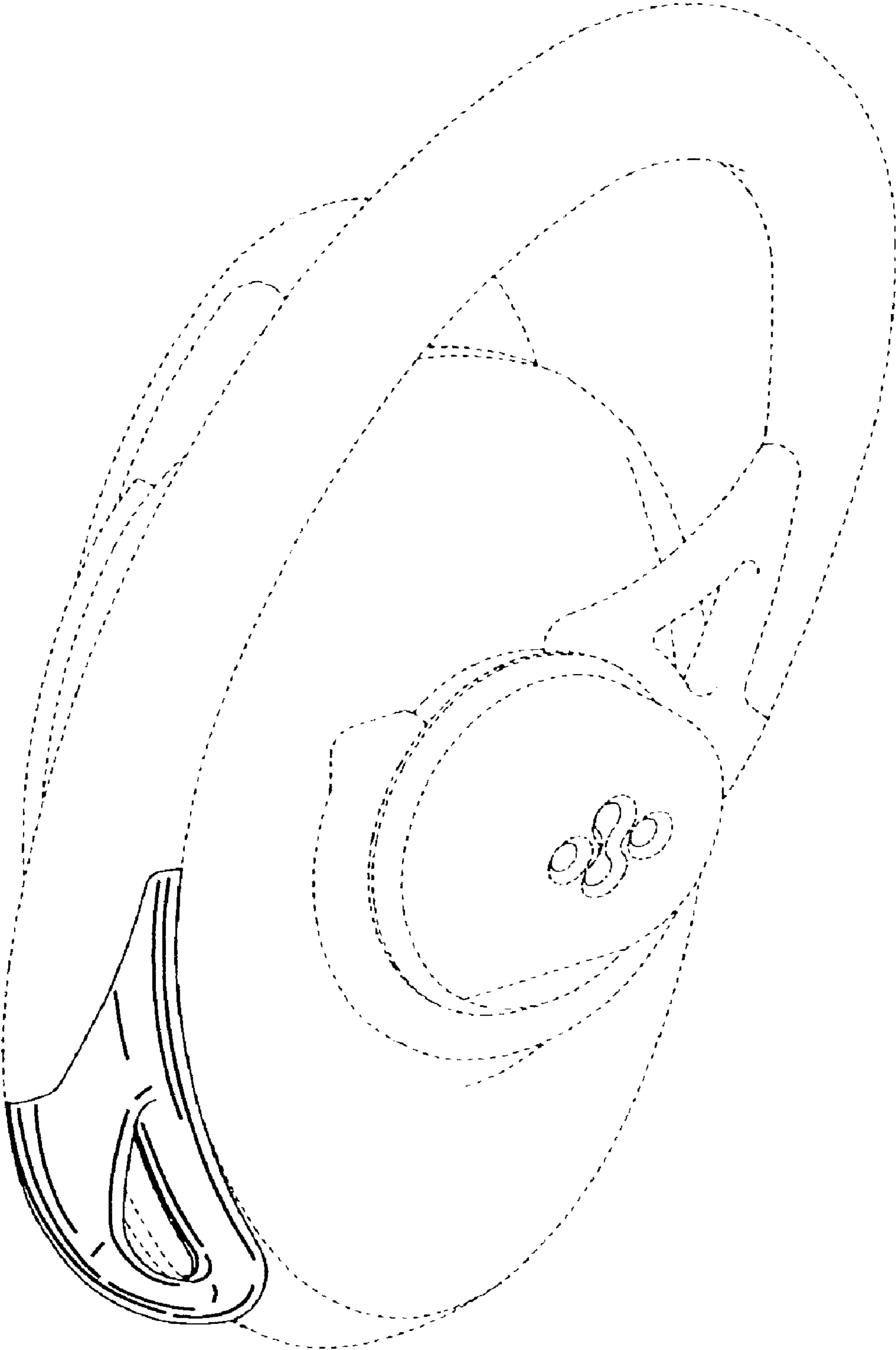


FIG. 1

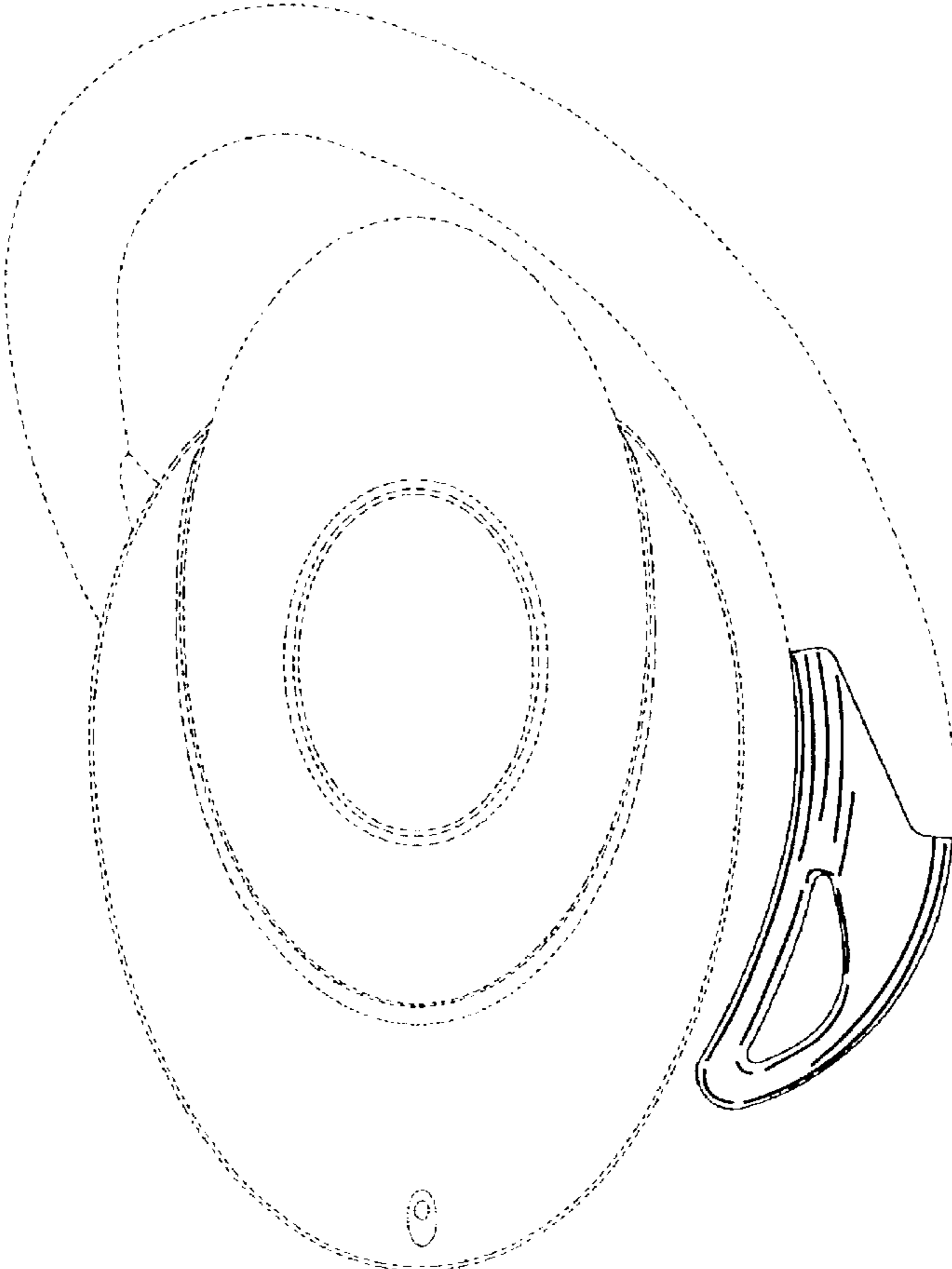


FIG. 2

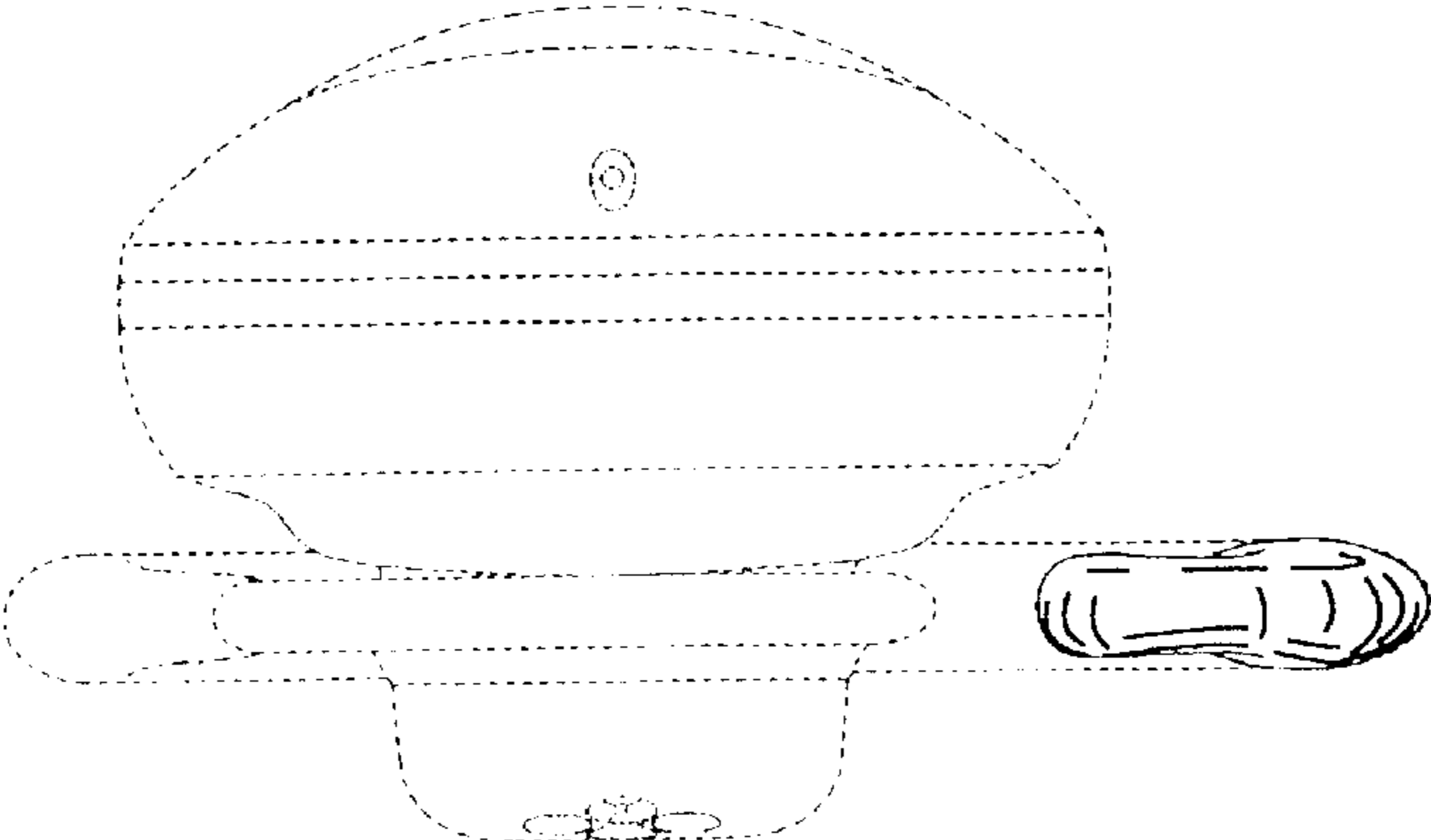


FIG. 3

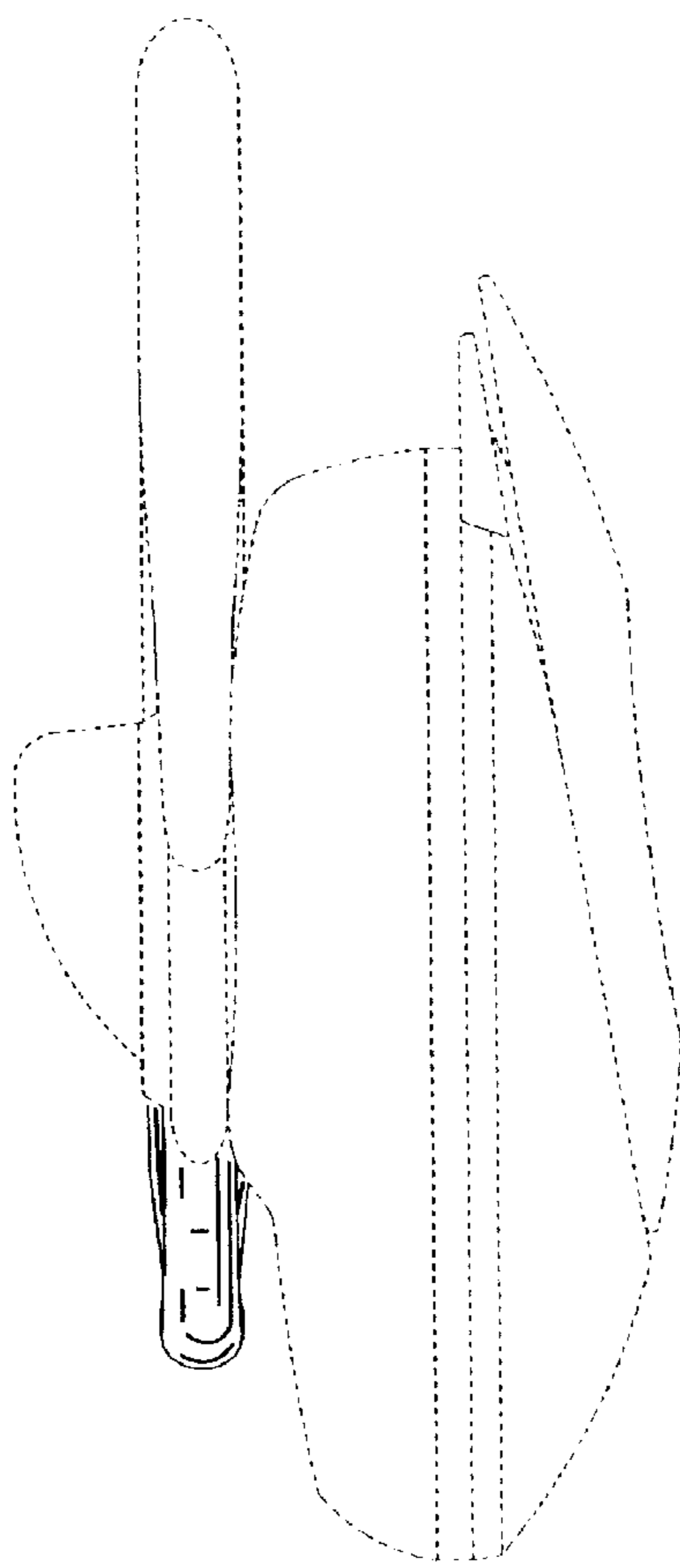


FIG. 4

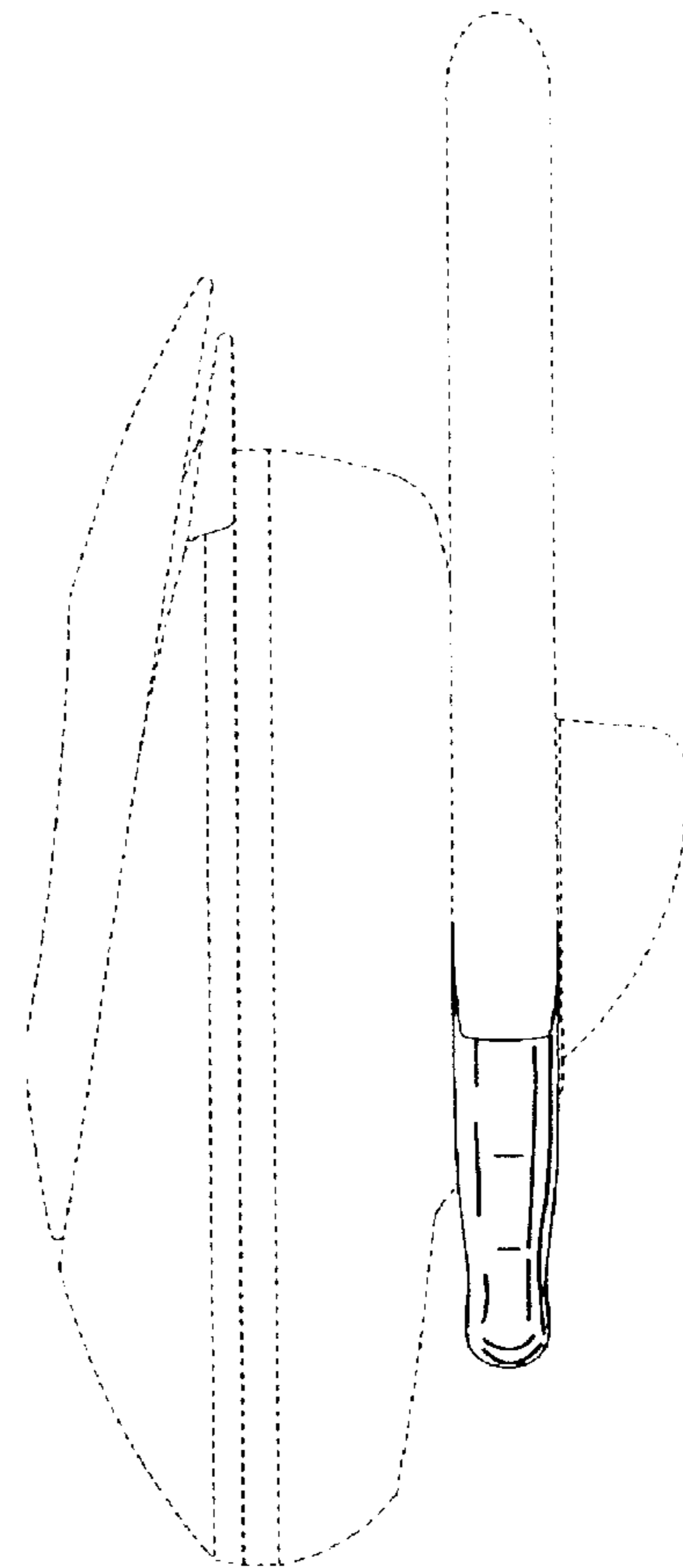


FIG. 5

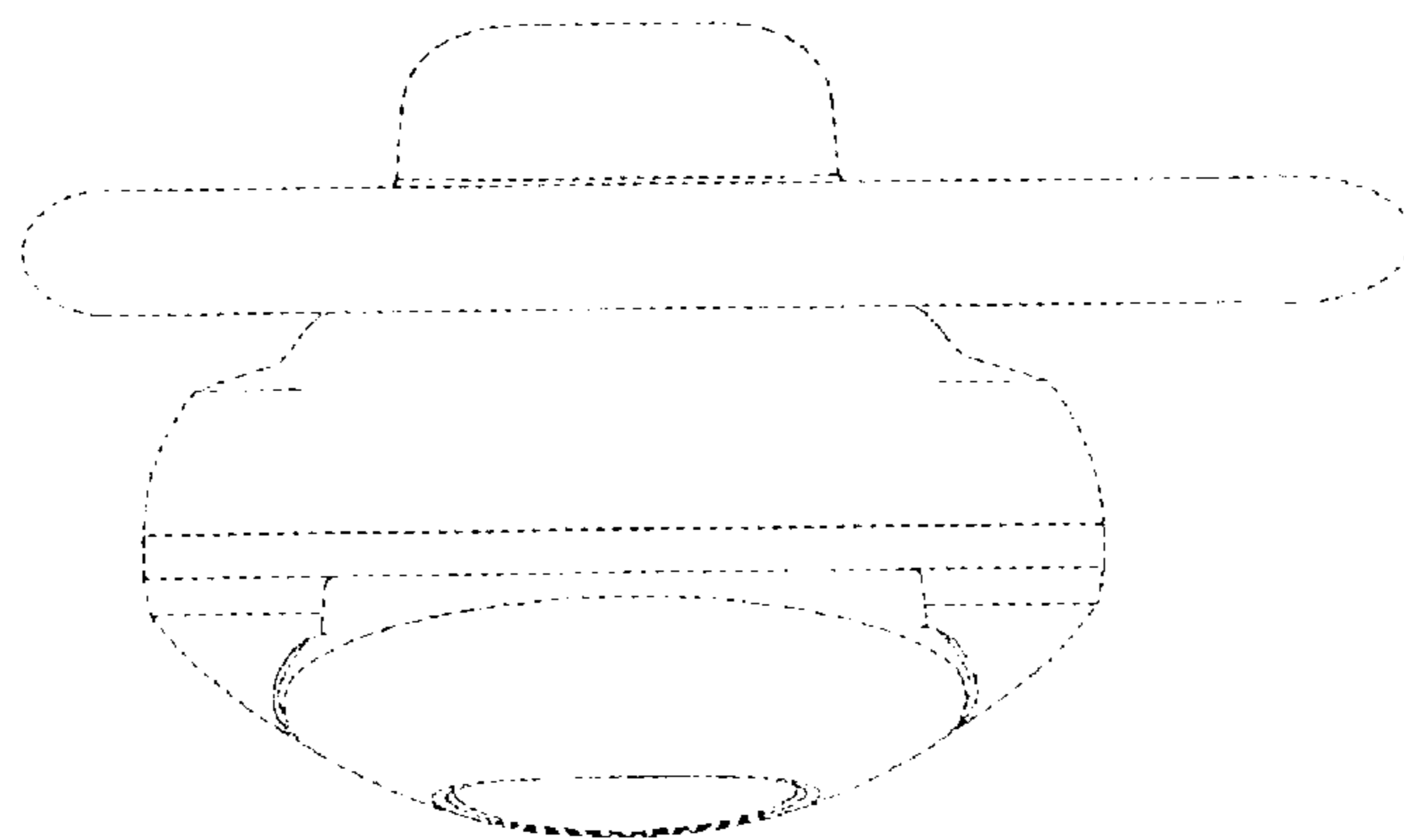


FIG. 6

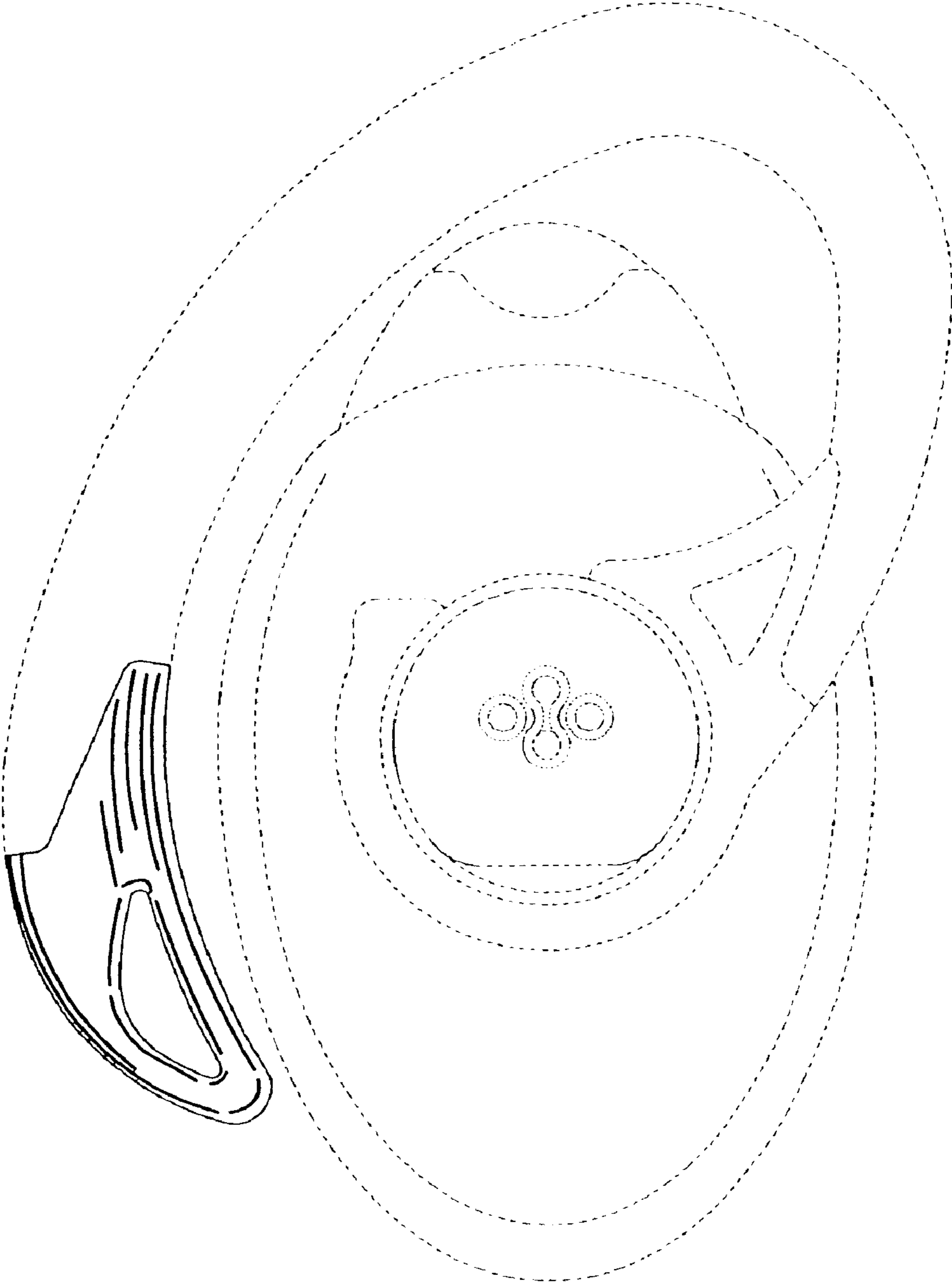


FIG. 7