

US00D508482S

(12) **United States Design Patent**  
**Pardo**

(10) **Patent No.:** **US D508,482 S**

(45) **Date of Patent:** **\*\* Aug. 16, 2005**

(54) **REMOTE CONTROL WITH BATTERY CHARGER AND LOCATOR**

(76) **Inventor:** **Felix R. Pardo**, 1707 78<sup>TH</sup> St., Brooklyn, NY (US) 11214

(\*\*) **Term:** **14 Years**

(21) **Appl. No.:** **29/202,159**

(22) **Filed:** **Mar. 29, 2004**

(51) **LOC (8) Cl.** ..... **14-03**

(52) **U.S. Cl.** ..... **D14/218**

(58) **Field of Search** ..... D14/174, 217, D14/218, 137-151, 299, 191-193, 167, 168; D13/162-164, 168, 108; D21/512-517, 566; D10/104, 106; 455/151.1-151, 352-355, 128, 347, 90.3; 348/114, 734

(56) **References Cited**

**U.S. PATENT DOCUMENTS**

D320,987 S	*	10/1991	Grinyer	.....	D14/151
D322,436 S	*	12/1991	Myoga	.....	D14/138
D340,242 S	*	10/1993	Kurtz	.....	D14/142
D395,887 S	*	7/1998	Tonino	.....	D14/218

D425,899 S	*	5/2000	Dent	.....	D14/218
D434,409 S	*	11/2000	Clapper	.....	D14/218
D451,498 S	*	12/2001	Rossel	.....	D14/218
D500,029 S	*	12/2004	Morisada	.....	D14/218

\* cited by examiner

*Primary Examiner*—Louis S. Zarfaz  
*Assistant Examiner*—John Windmuller

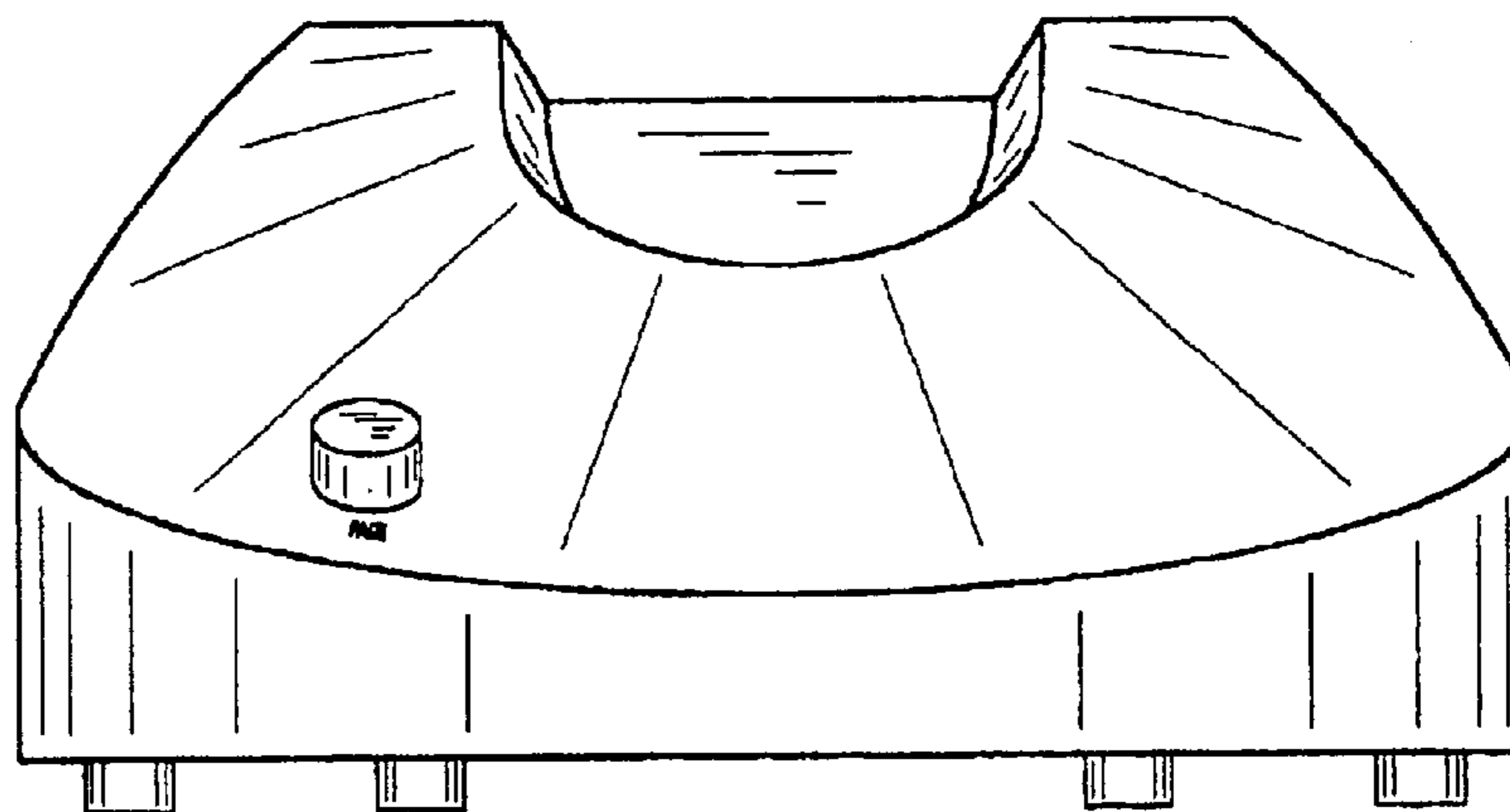
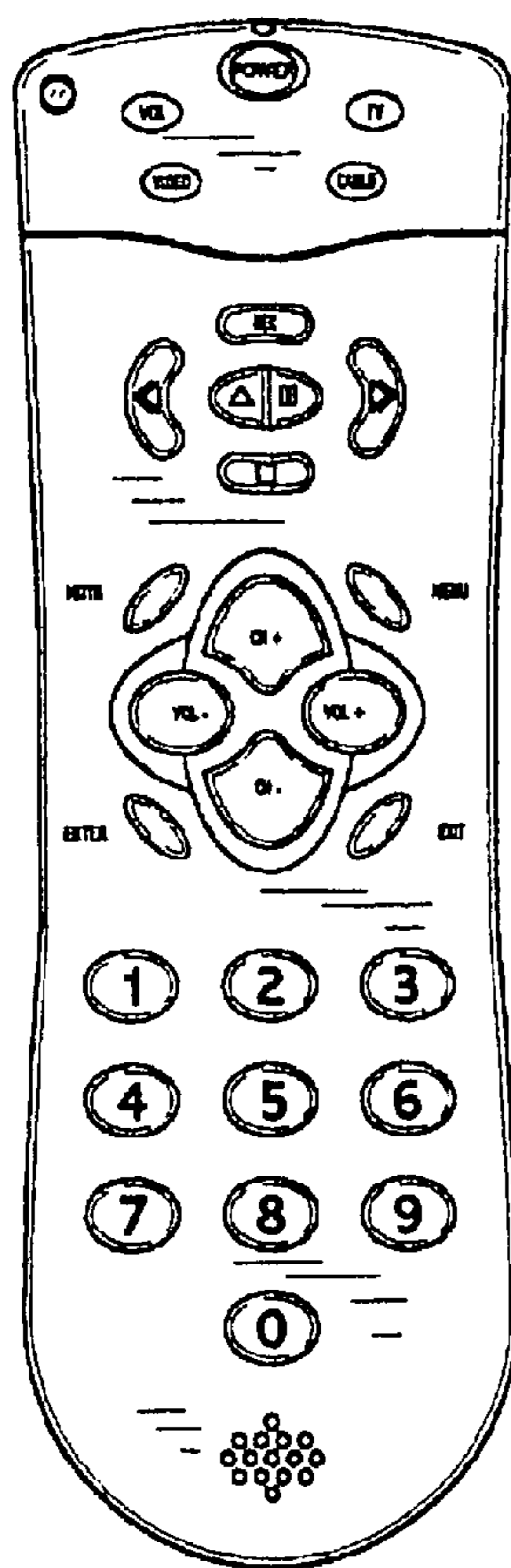
(57) **CLAIM**

The ornamental design for a remote control with battery charger and locator, as shown and described.

**DESCRIPTION**

FIG. 1 is a front view of a remote control with battery charger and locator showing my new design.  
FIG. 2 is a back view of the remote control with battery charger and locator.  
FIG. 3 is a side view of the remote control with battery charger and locator.  
FIG. 4 is a top view of the remote control with battery charger and locator; and,  
FIG. 5 is a bottom view of the remote control with battery charger and locator.

**1 Claim, 5 Drawing Sheets**



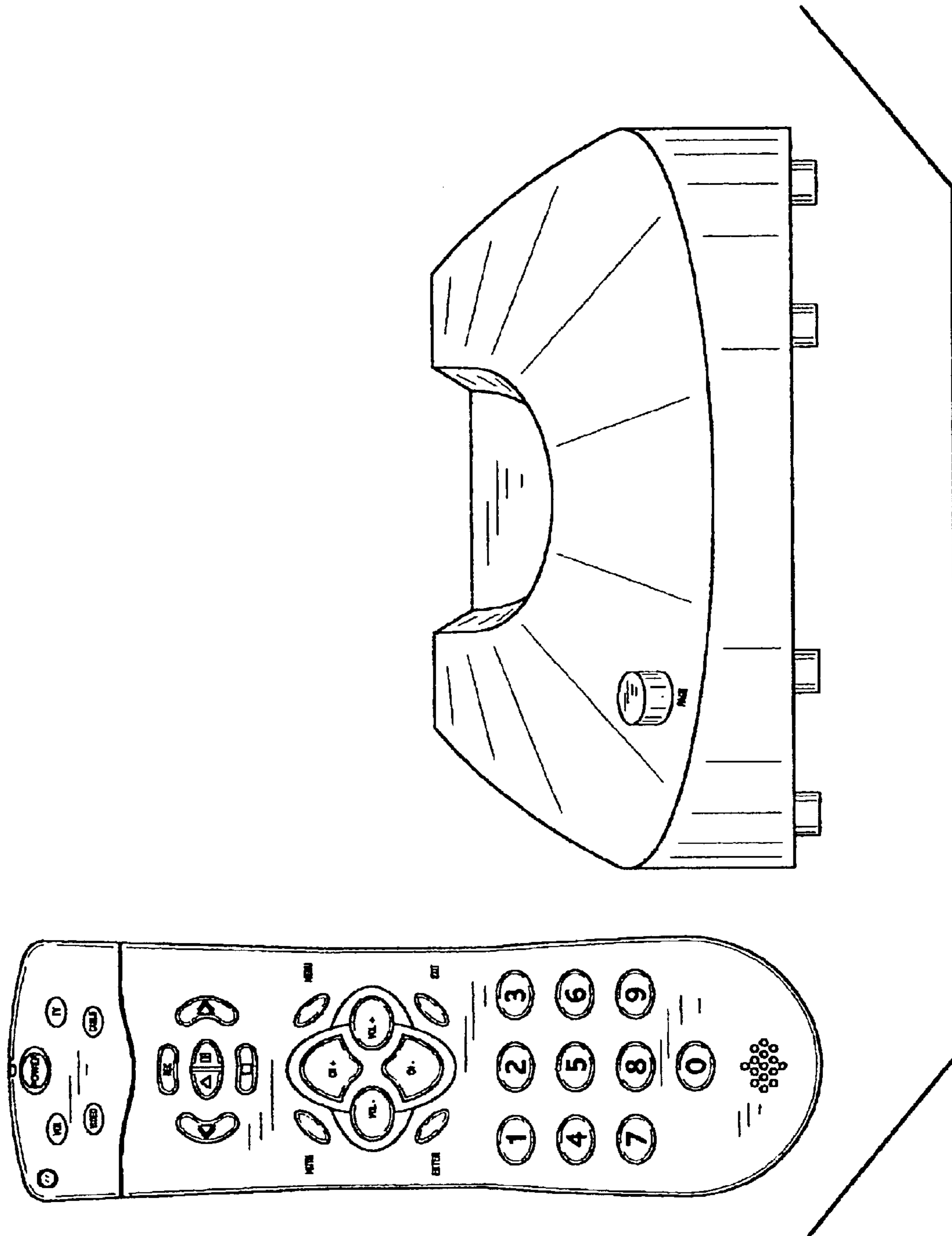


FIG. 1

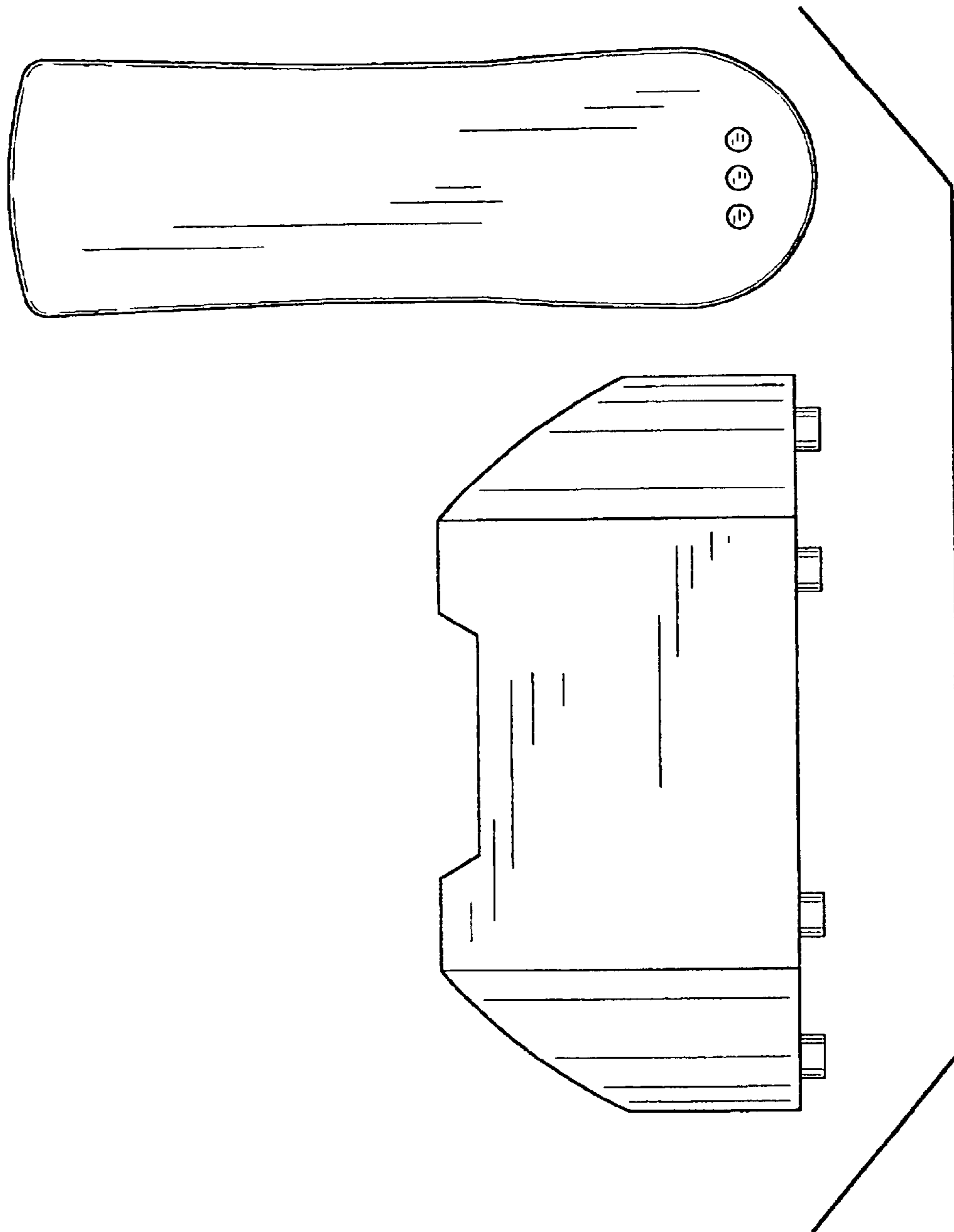


FIG. 2

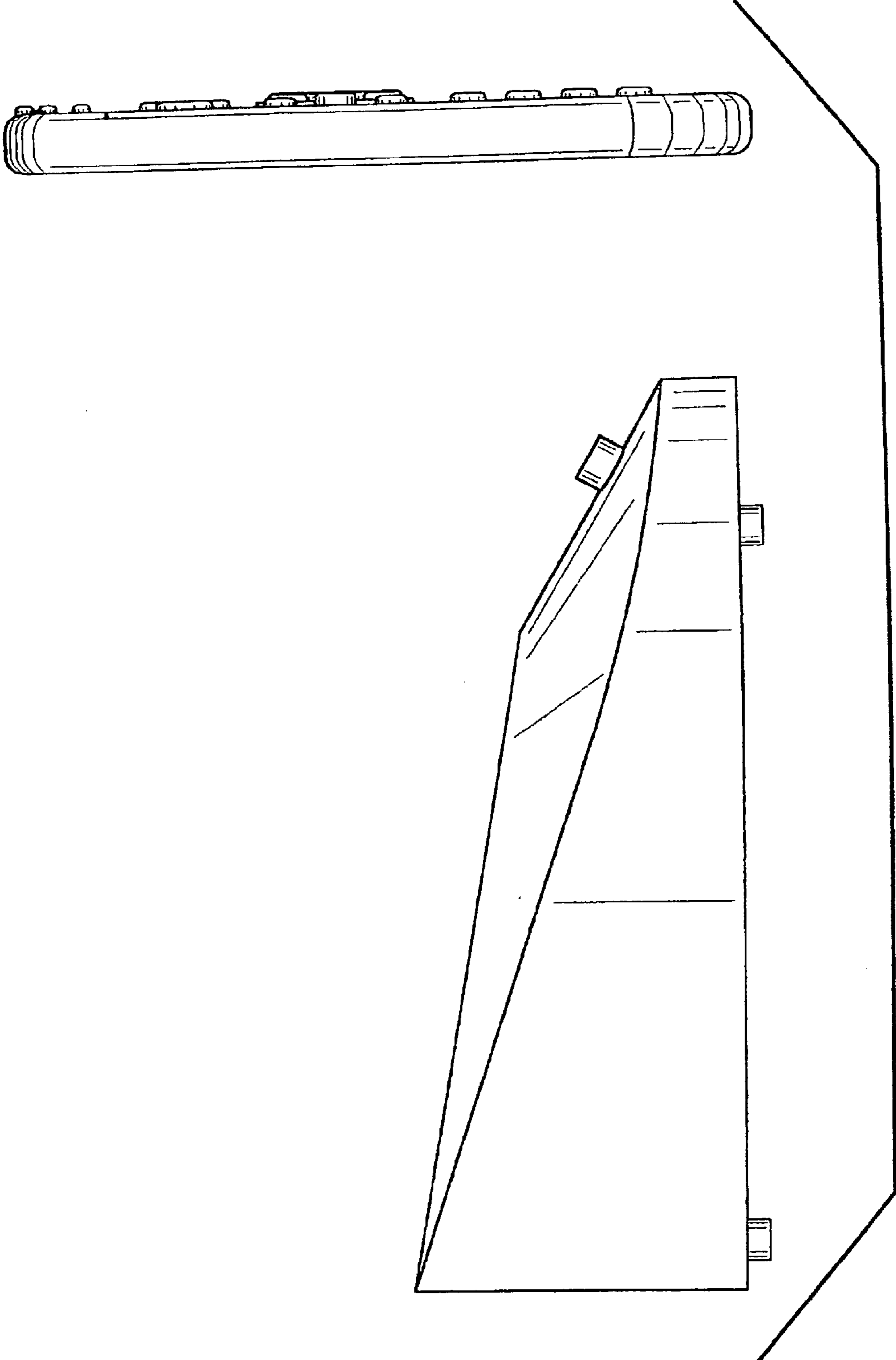


FIG. 3

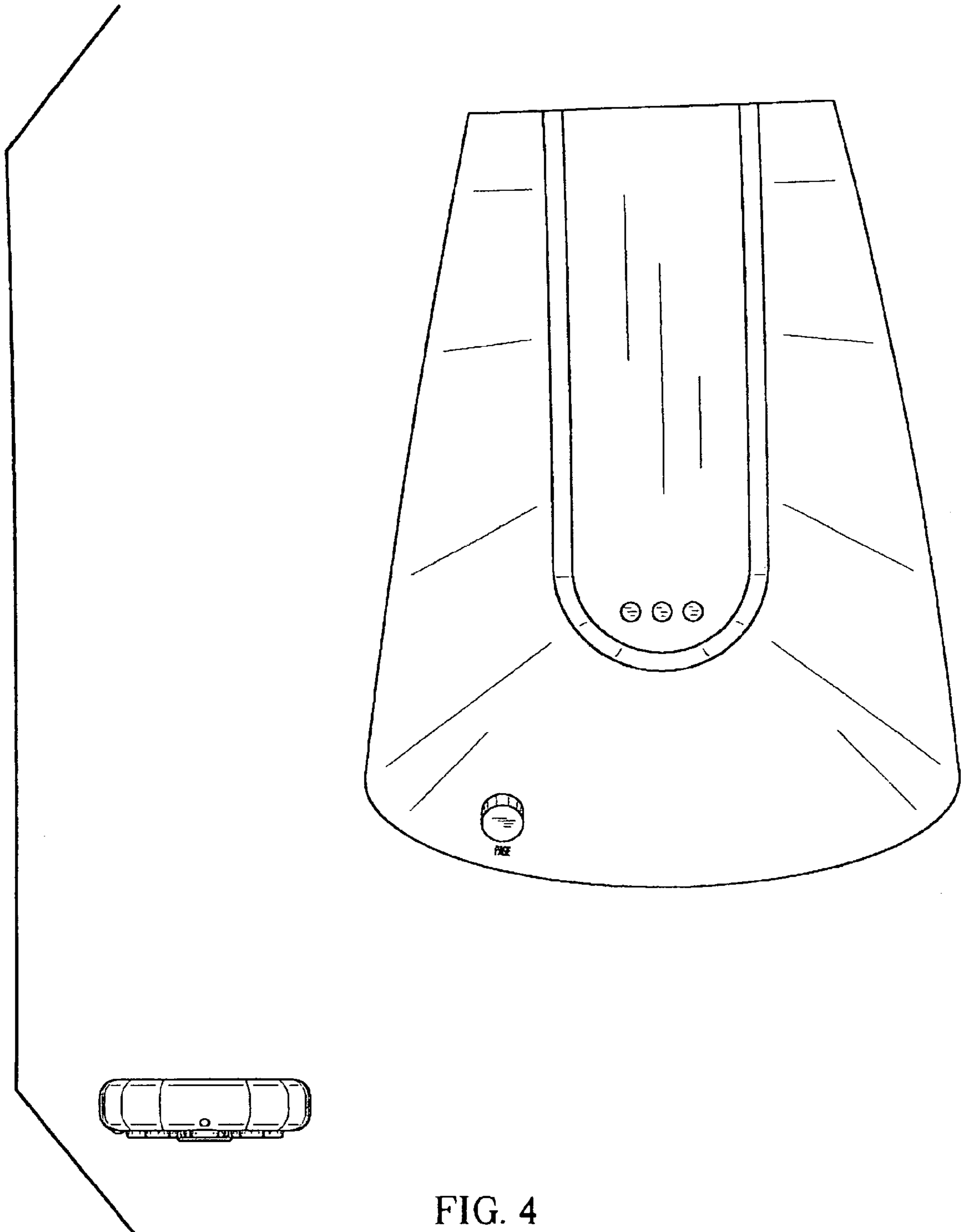


FIG. 4

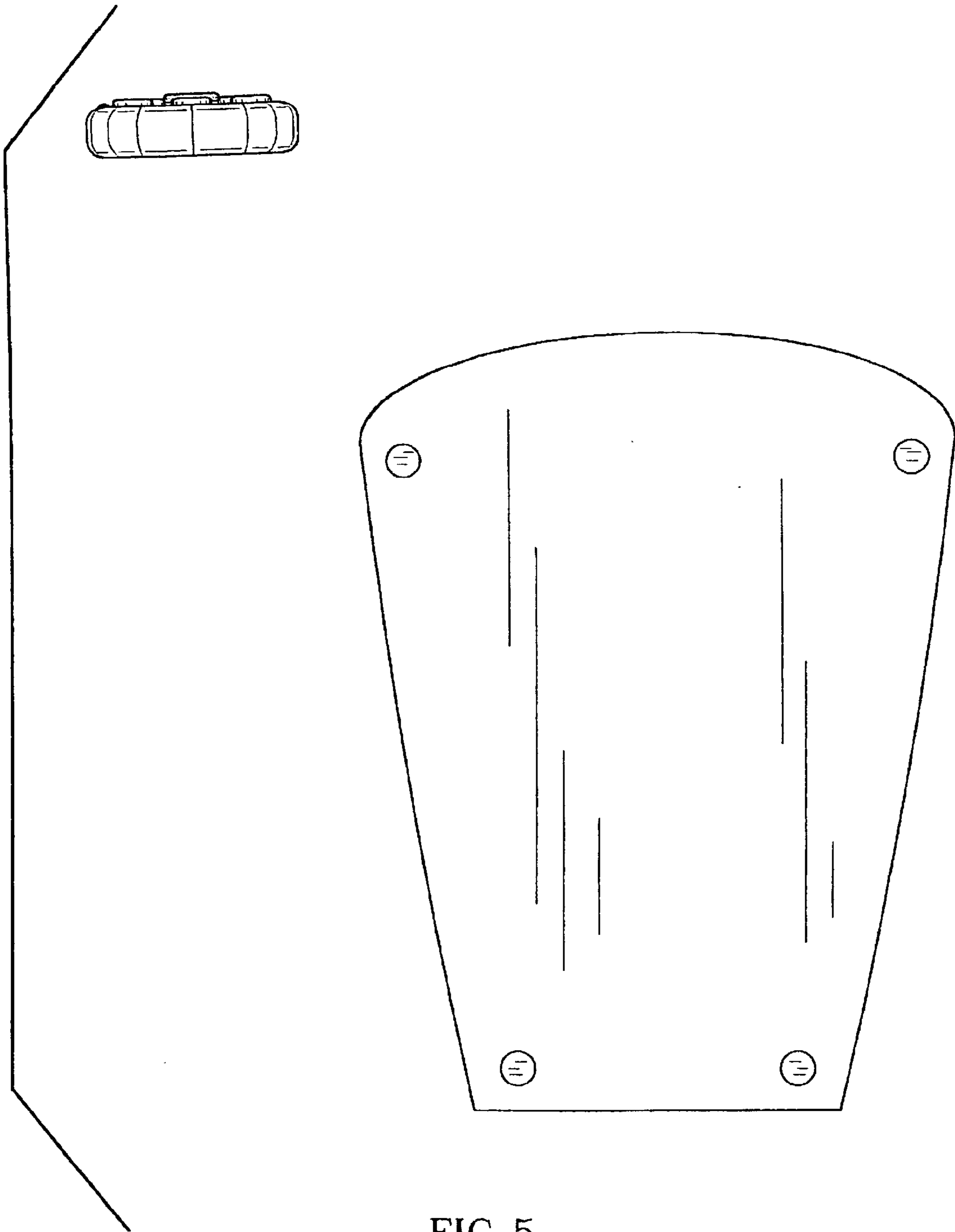


FIG. 5