

US00D508481S

(12) **United States Design Patent**  
**Hioki**

(10) **Patent No.:** **US D508,481 S**  
(45) **Date of Patent:** **\*\* Aug. 16, 2005**

(54) **SPEAKER BOX**

D483,739 S \* 12/2003 Olson et al. .... D14/214

(75) Inventor: **Tsutomu Hioki**, Tokyo (JP)

(73) Assignee: **Sony Corporation**, Tokyo (JP)

(\*\*) Term: **14 Years**

(21) Appl. No.: **29/205,987**

(22) Filed: **May 25, 2004**

(51) **LOC (8) Cl.** ..... **14-01**

(52) **U.S. Cl.** ..... **D14/214**

(58) **Field of Search** ..... D14/204, 207,  
D14/209-216, 356; 181/143-144, 147-148,  
150, 157, 198-199, 151, 153; 381/300-302,  
306, 333, 345, 361-364, 386-388, 332,  
336

(56) **References Cited**

**U.S. PATENT DOCUMENTS**

|            |   |         |                    |         |
|------------|---|---------|--------------------|---------|
| D256,463 S | * | 8/1980  | Barcus et al. .... | D14/212 |
| D315,736 S | * | 3/1991  | Takagi .....       | D14/194 |
| D369,356 S | * | 4/1996  | Olson .....        | D14/214 |
| D417,874 S |   | 12/1999 | Suzuki             |         |
| D418,138 S |   | 12/1999 | Miyazaki           |         |
| D452,855 S |   | 1/2002  | Ota                |         |
| D473,211 S | * | 4/2003  | Price et al. ....  | D14/214 |
| D478,565 S |   | 8/2003  | Oikawa             |         |

**OTHER PUBLICATIONS**

Web page "MM-SPSW5" [http://www.yodobashi.com/enjoy/more/i/old2\\_449106/7066282.html](http://www.yodobashi.com/enjoy/more/i/old2_449106/7066282.html) 1 sheet, Yodobashi Camera (Mar. 2004).

Web page "SB-TP55" <http://proad.matsushita.co.jp/product/info.do/pg=04&hb=SB-1P55> 1 sheet, Matsushita Electric Industrial Co., Ltd. (Mar. 2004).

\* cited by examiner

*Primary Examiner*—Nanda Bondade

(74) *Attorney, Agent, or Firm*—Rader, Fishman & Grauer PLLC

(57) **CLAIM**

The ornamental design for speaker box, as shown.

**DESCRIPTION**

FIG. 1 is a perspective view of a speaker box showing my new design;

FIG. 2 is a front elevational view thereof;

FIG. 3 is a rear elevational view thereof;

FIG. 4 is a right side elevational view thereof;

FIG. 5 is a left side elevational view thereof;

FIG. 6 is a top plan view thereof; and,

FIG. 7 is a bottom plan view thereof.

**1 Claim, 4 Drawing Sheets**

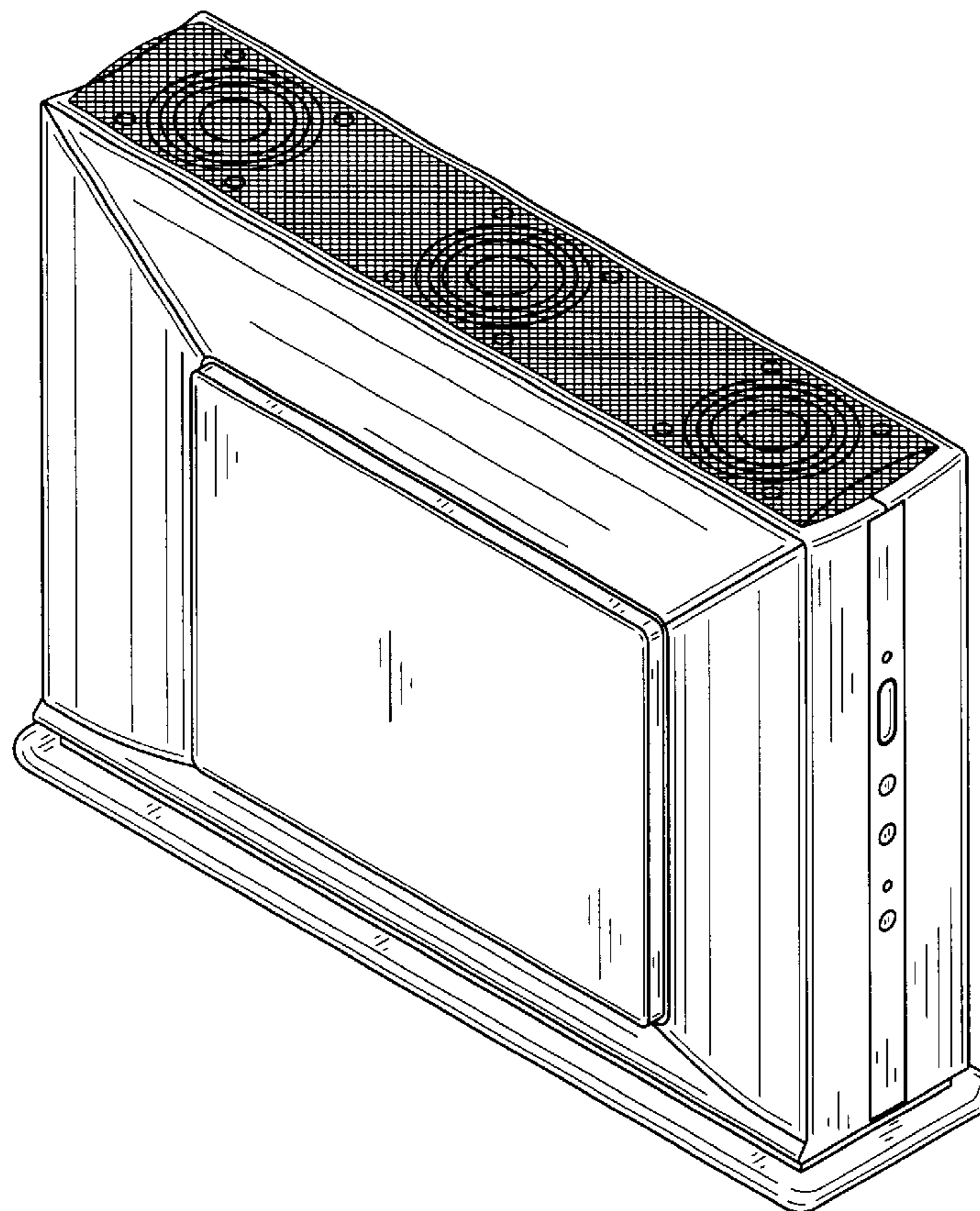


Fig. 1

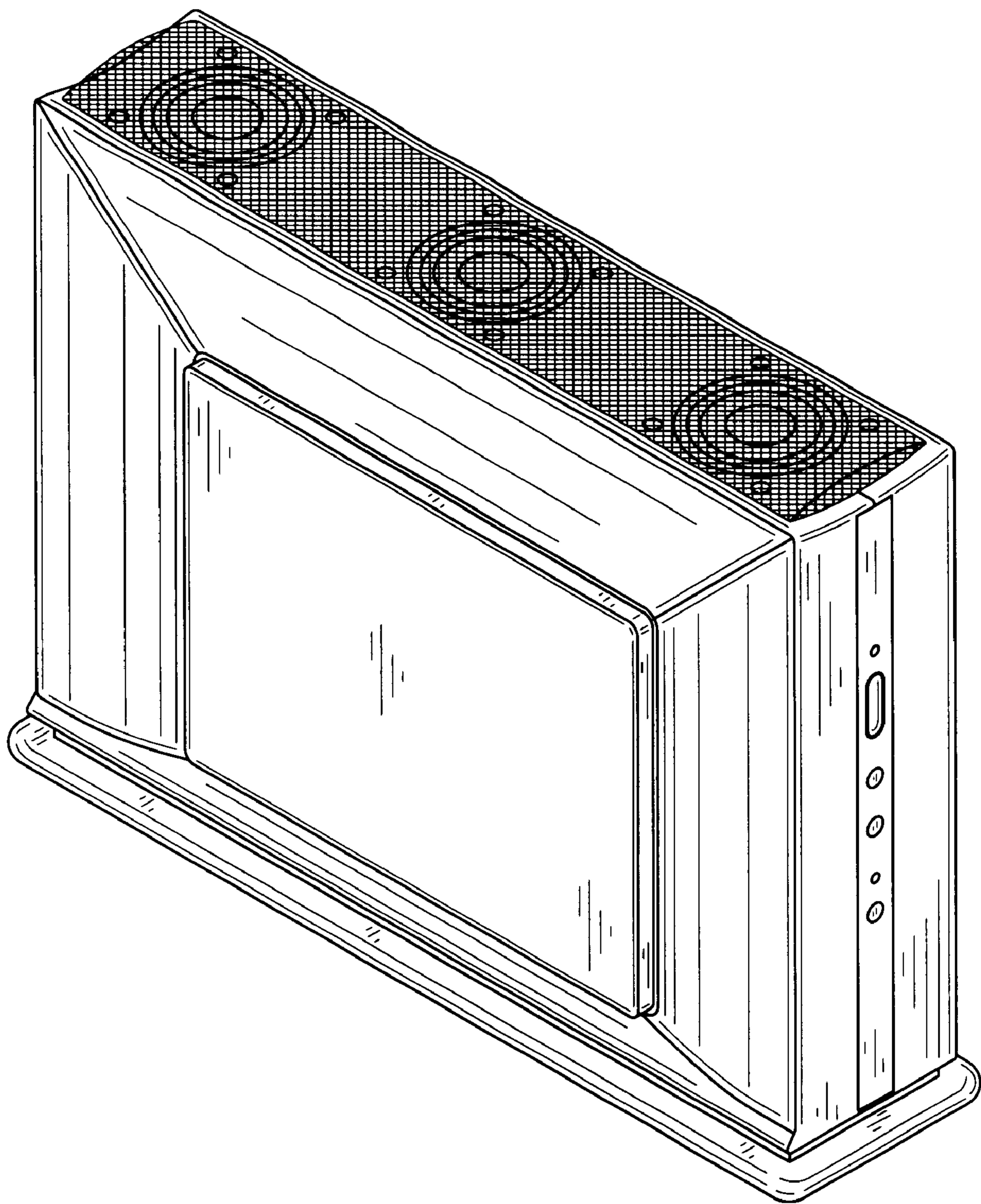


Fig.2

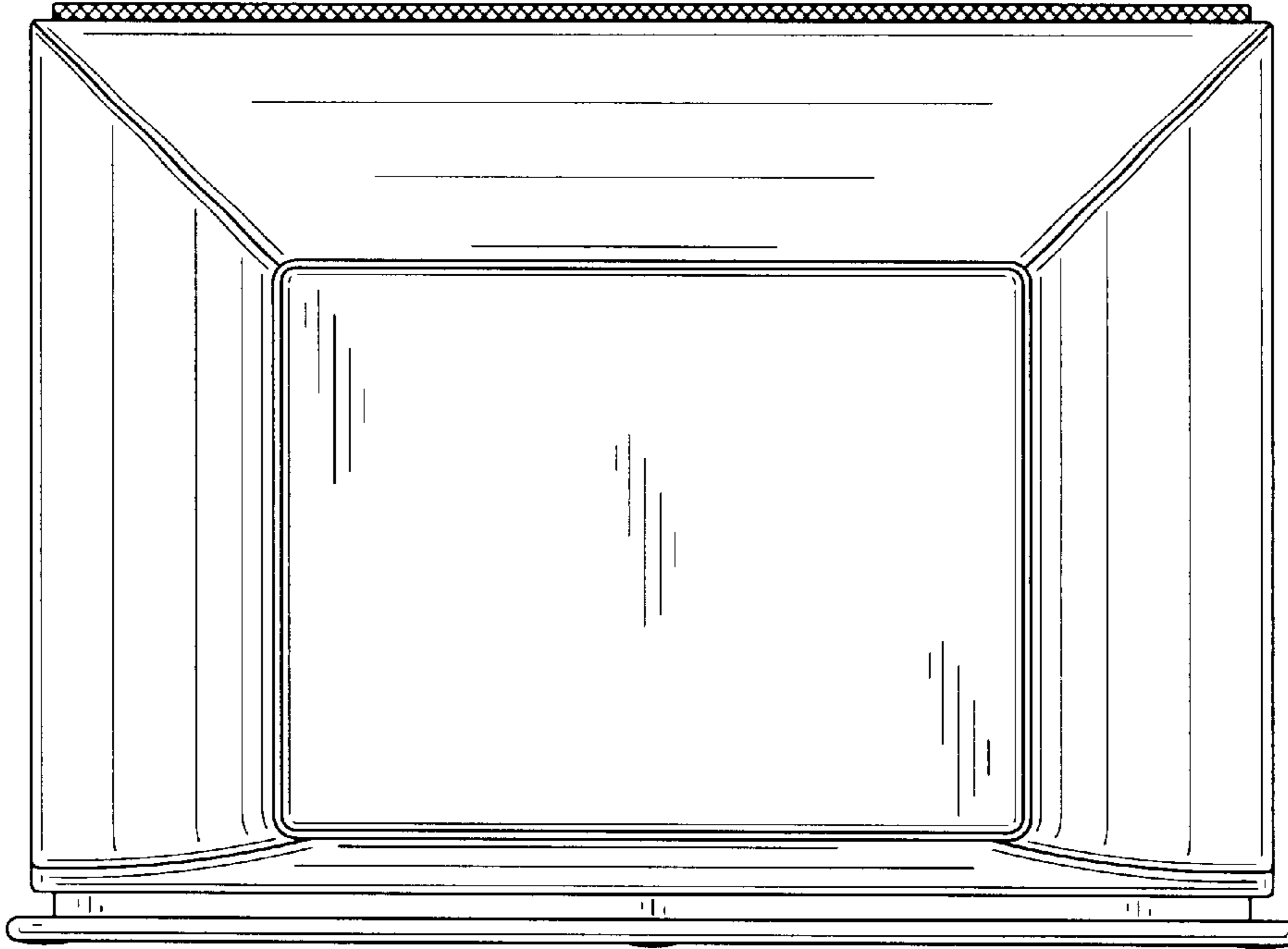


Fig.3

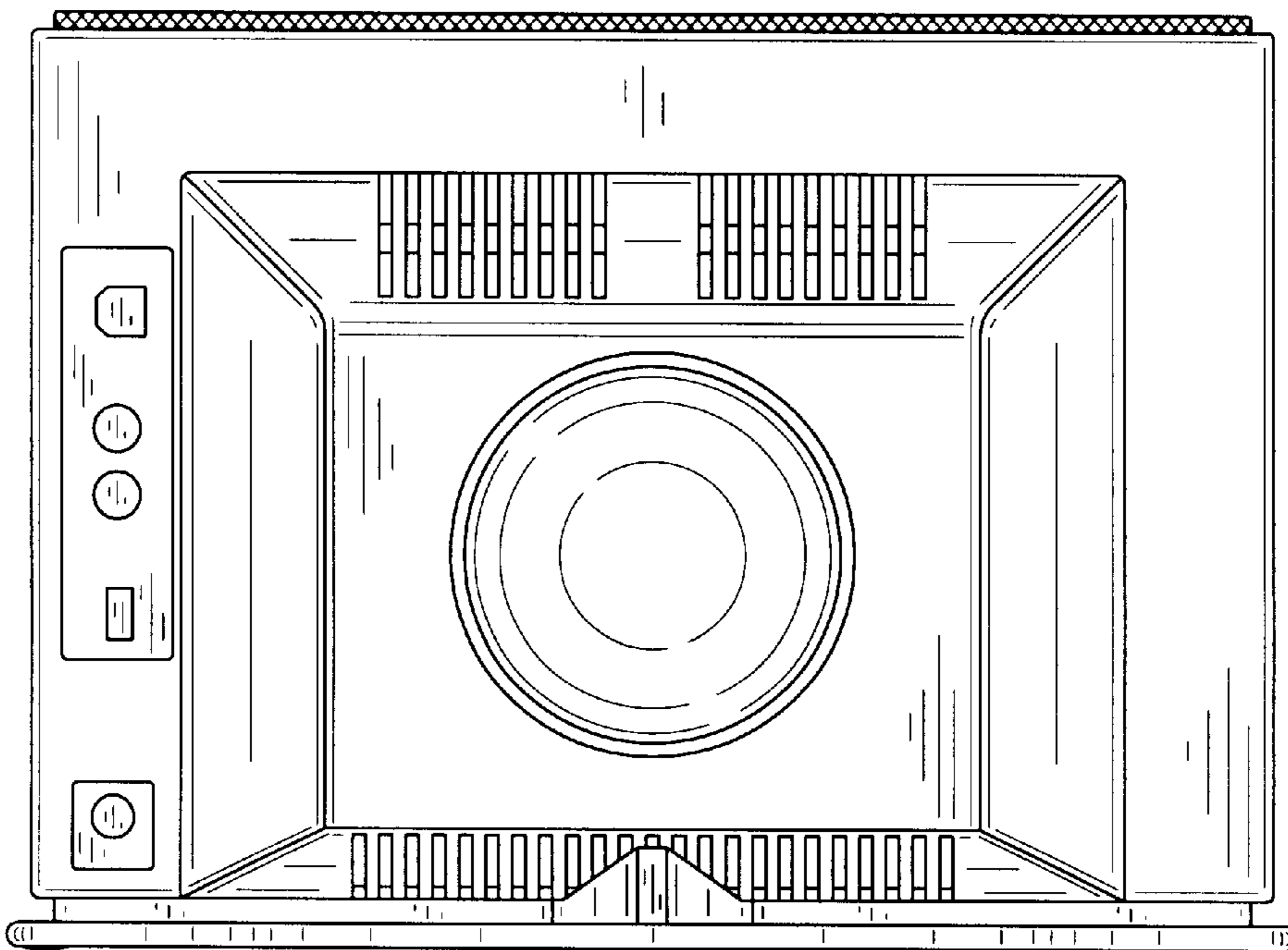


Fig.4

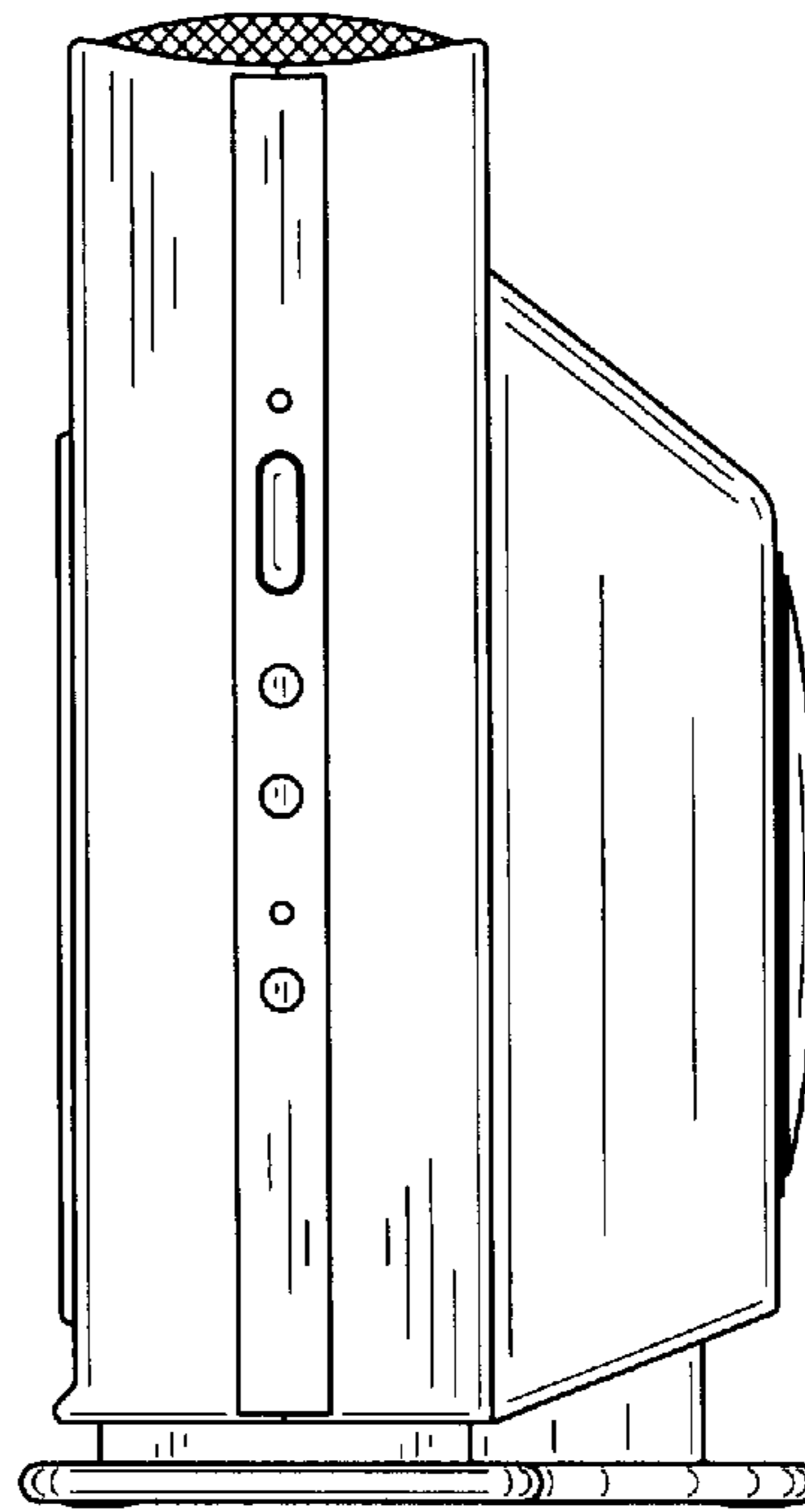


Fig.5

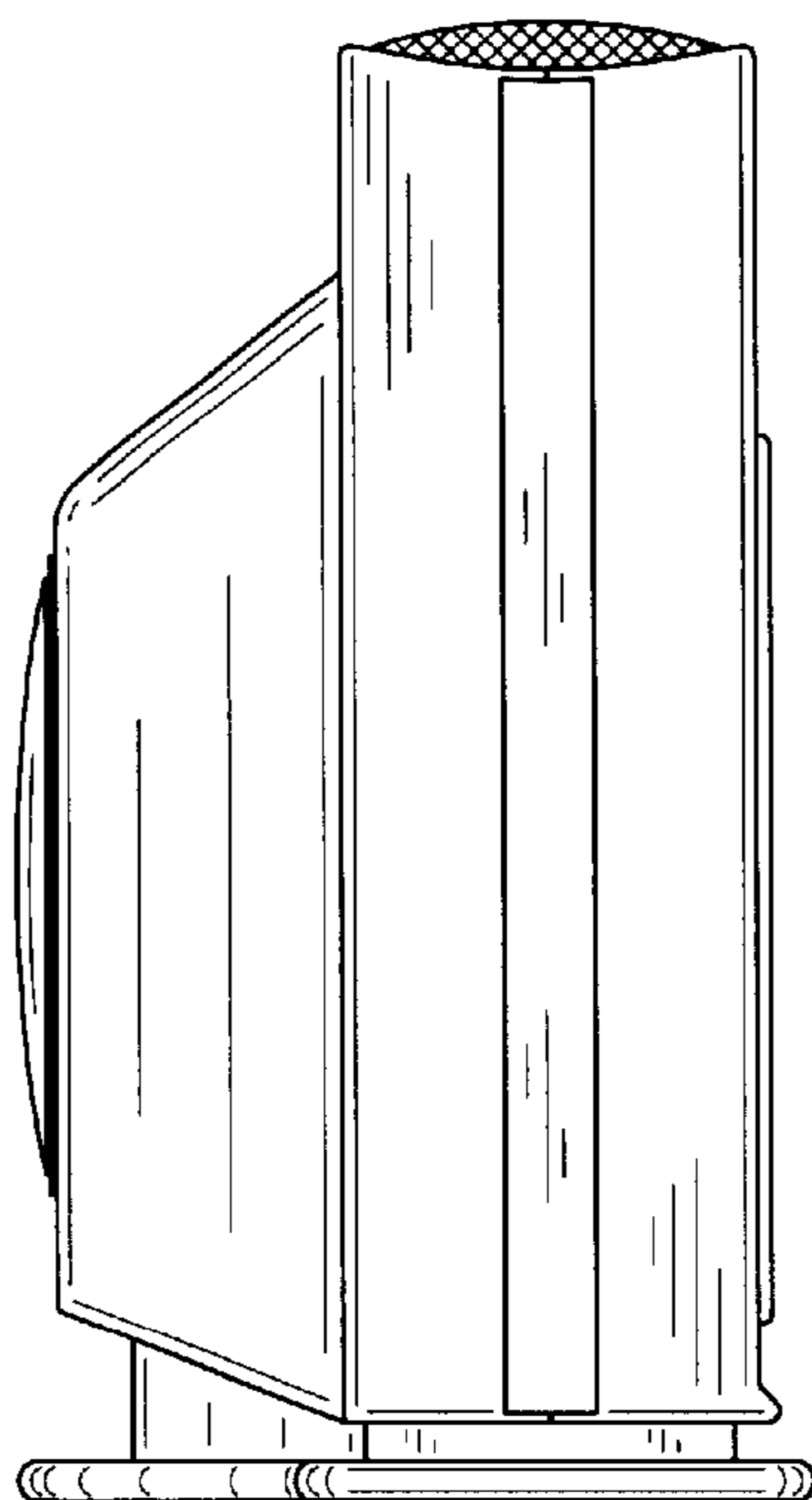




Fig.6

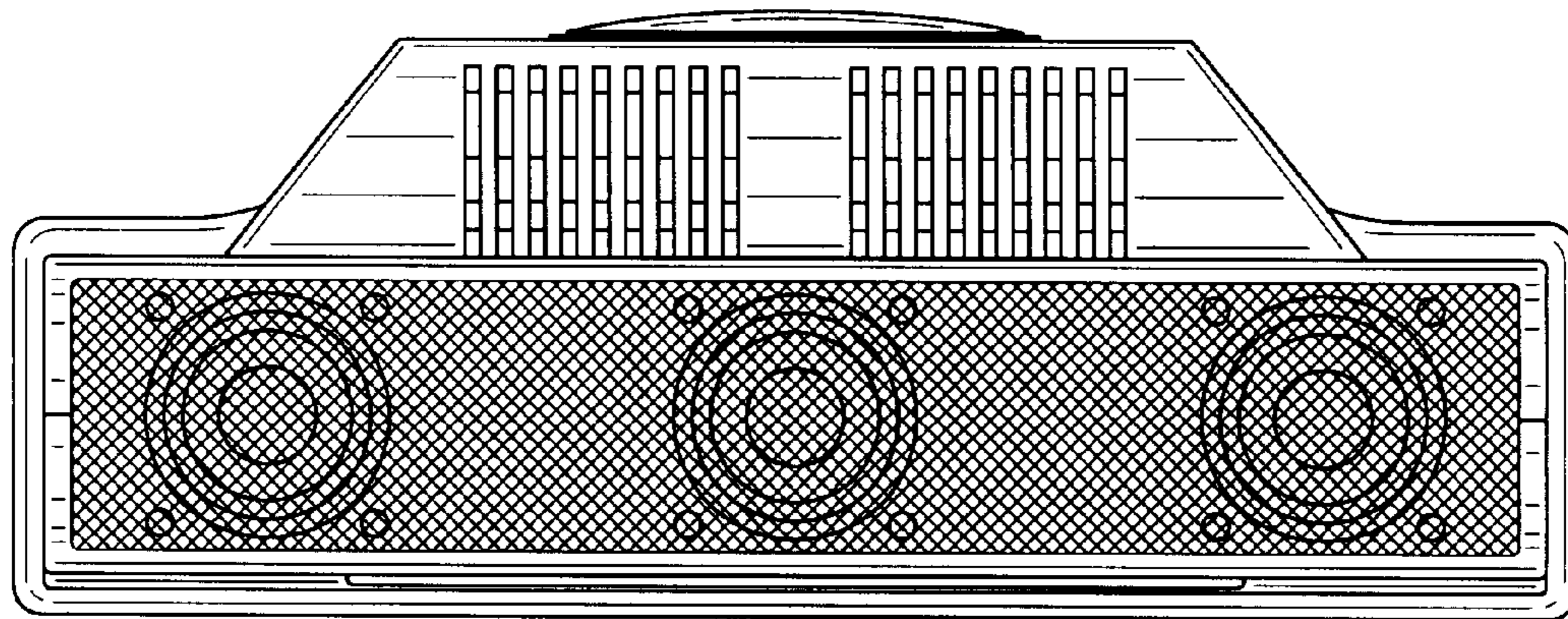


Fig.7

