

US00D508480S

(12) **United States Design Patent**
Oikawa

(10) **Patent No.:** **US D508,480 S**

(45) **Date of Patent:** **** Aug. 16, 2005**

(54) **SPEAKER BOX**

(75) **Inventor:** **Yuji Oikawa, Tokyo (JP)**

(73) **Assignee:** **Sony Corporation, Tokyo (JP)**

(**) **Term:** **14 Years**

(21) **Appl. No.:** **29/205,728**

(22) **Filed:** **May 20, 2004**

(51) **LOC (8) Cl. 14-01**

(52) **U.S. Cl. D14/211**

(58) **Field of Search** D14/204, 207,
D14/209-216, 356; 181/143-144, 147-148,
150, 157, 198-199, 151, 153; 381/300-302,
306, 333, 345, 361-364, 386-388, 332,
336

(56) **References Cited**

U.S. PATENT DOCUMENTS

D319,242 S	*	8/1991	Furuno	D14/204
5,802,190 A	*	9/1998	Ferren	381/182
D457,875 S	*	5/2002	Joe	D14/211
D461,177 S	*	8/2002	Hisatsune	D14/211
D475,991 S		6/2003	Hisatsune		
D476,309 S	*	6/2003	Narita	D14/211

OTHER PUBLICATIONS

Web page "Sony eCatalog, DAV-SC8" <http://www.ecat.sony.co.jp/audio/hometheater/products/index.cfm?PD=15075&KM=DAV-SC8> 1 sheet, Sony (Mar. 2003).

Web page "Bowers & Wilkins, FPM4" <http://www.bwspeakers.com/index.cfm/fuseaction/products.models/Label/Model%20FPM4> 1 sheet, Bowers & Wilkins (Mar. 2004).

* cited by examiner

Primary Examiner—Nanda Bondade

(74) *Attorney, Agent, or Firm*—Rader, Fishman & Graurer PLLC

(57) **CLAIM**

The ornamental design for a speaker box, as shown.

DESCRIPTION

FIG. 1 is a perspective view of a speaker box showing my new design;

FIG. 2 is a front elevational view thereof;

FIG. 3 is a rear elevational view thereof;

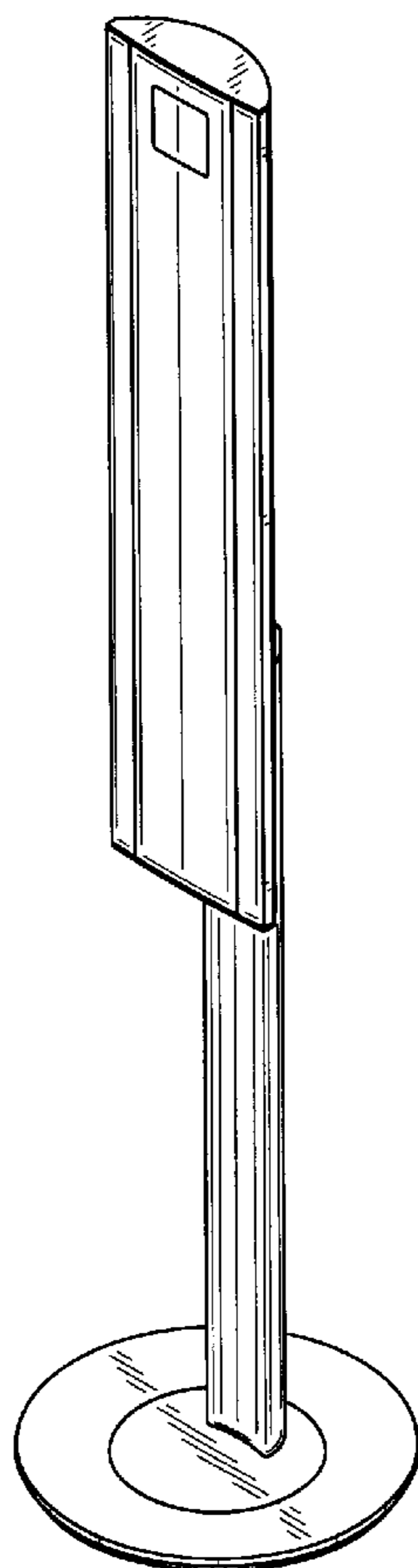
FIG. 4 is a left side elevational view thereof;

FIG. 5 is a right side elevational view thereof;

FIG. 6 is a top plan view thereof; and,

FIG. 7 is a bottom plan view thereof.

1 Claim, 4 Drawing Sheets



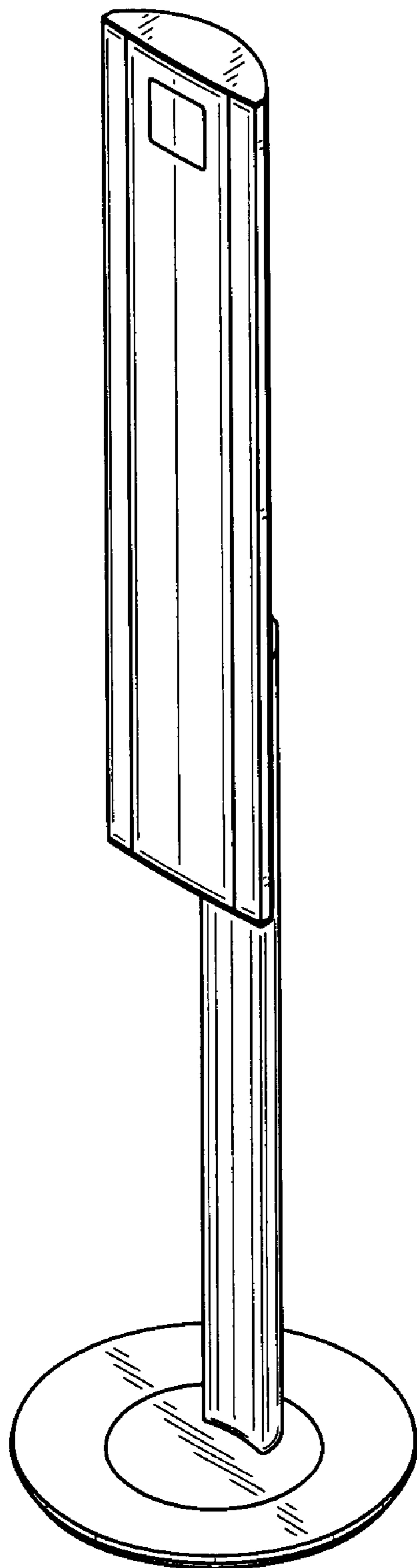


FIG. 1

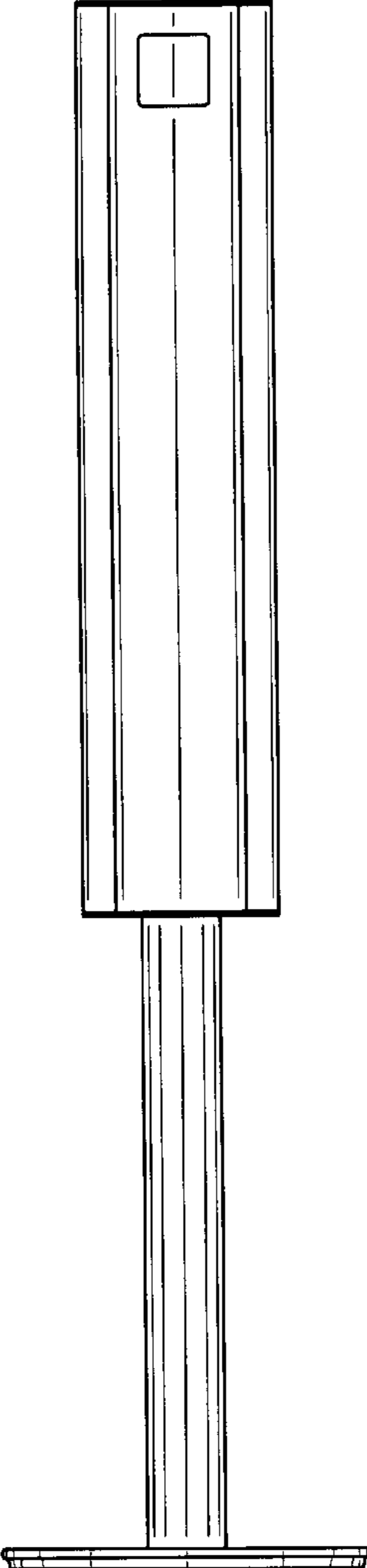


FIG. 2

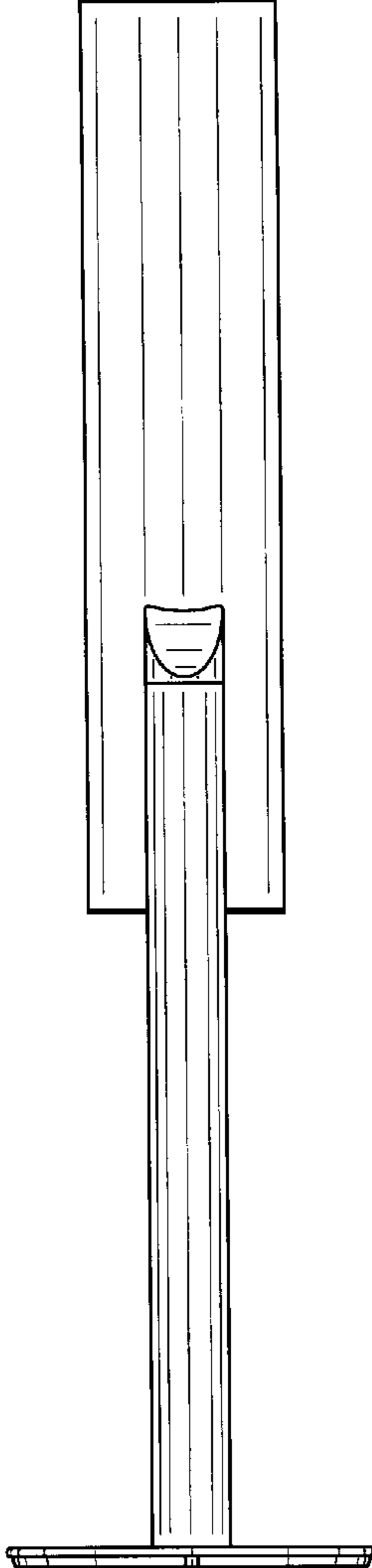


FIG. 3

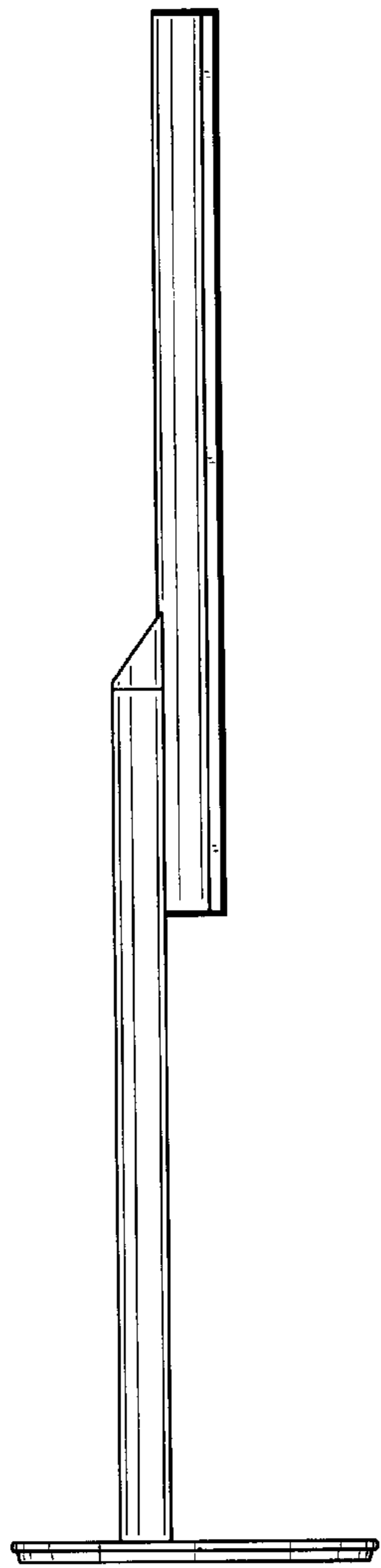


FIG. 4

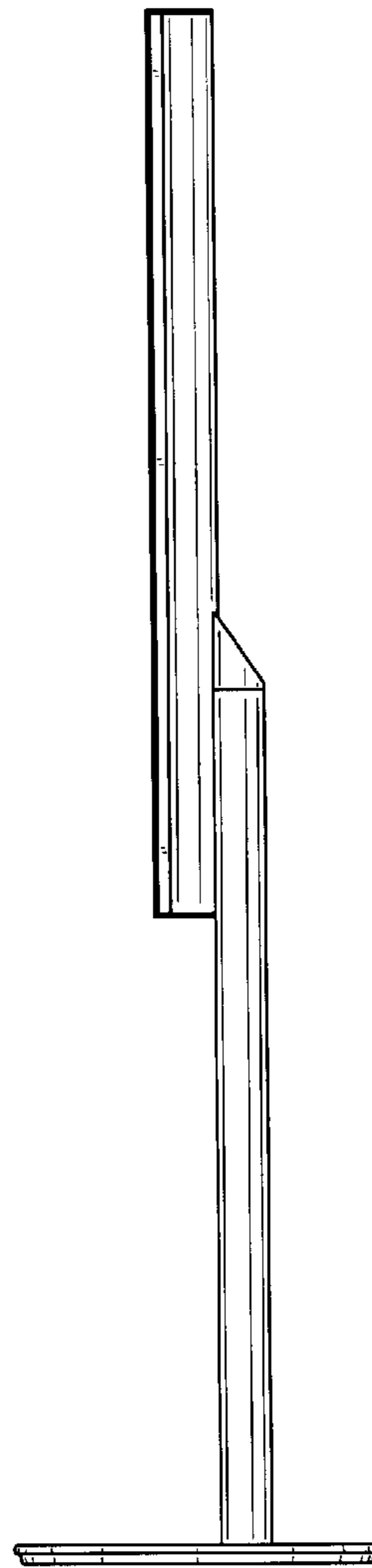


FIG. 5

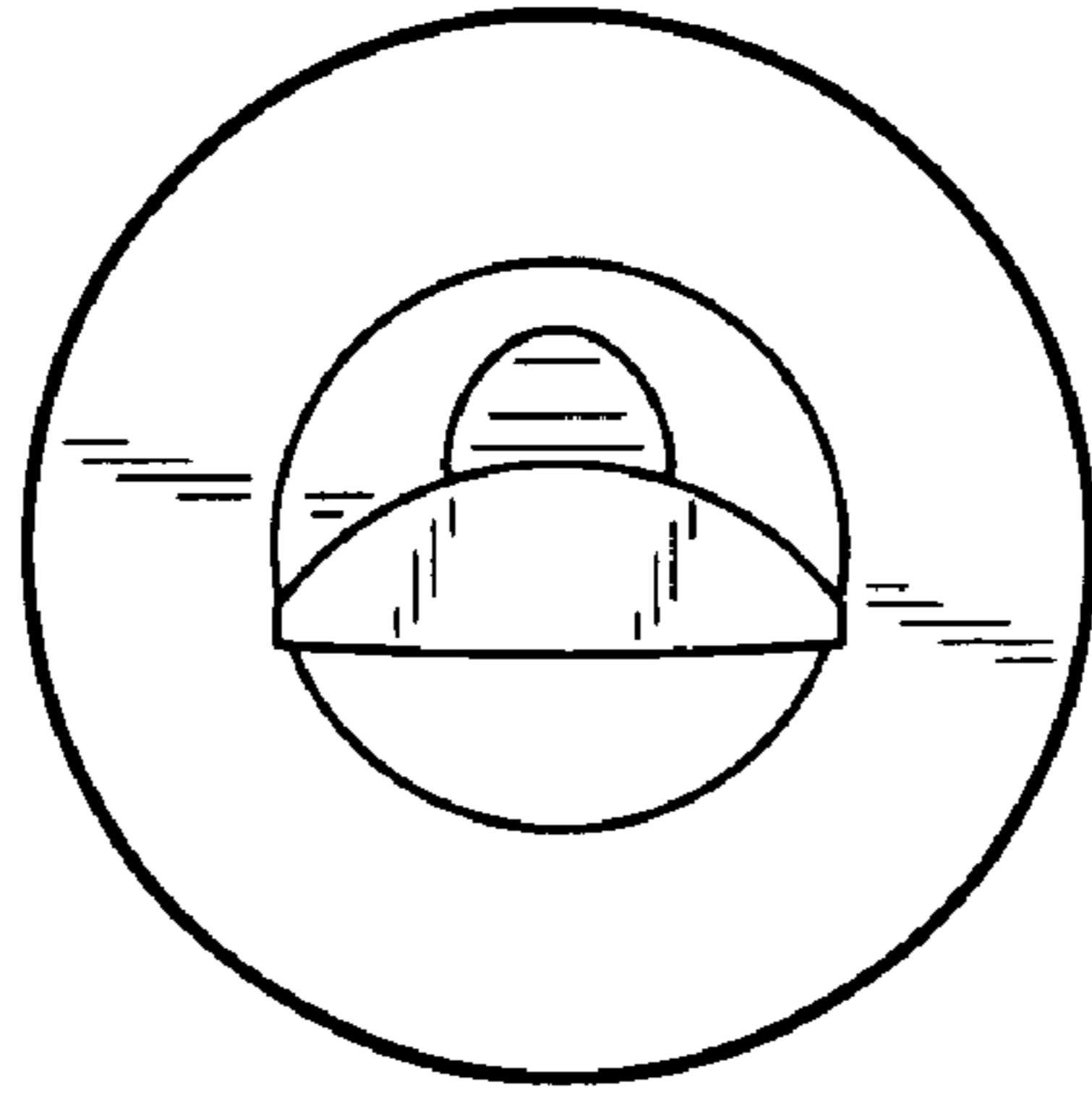


FIG. 6

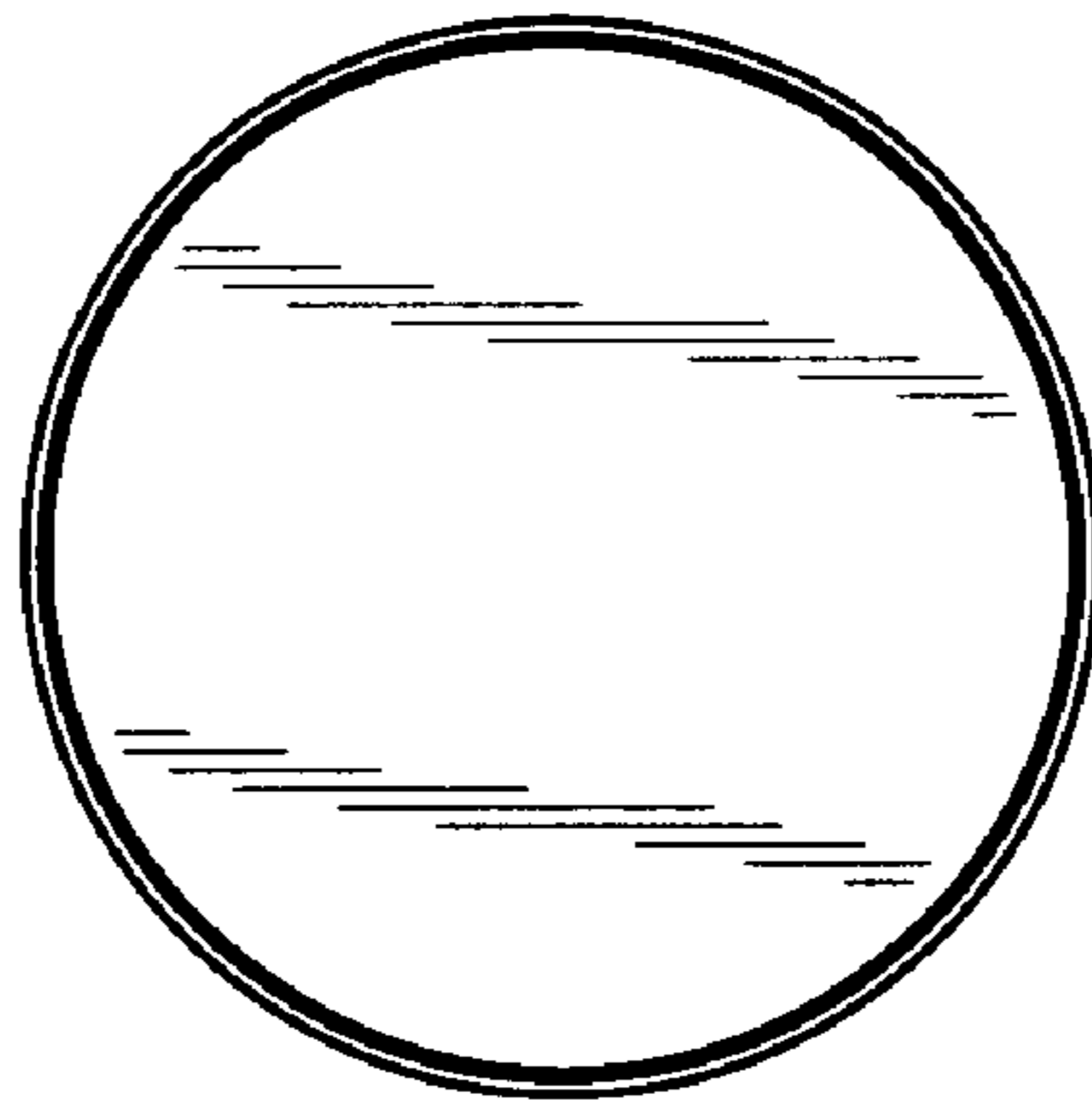


FIG. 7