

US00D508478S

(12) **United States Design Patent**
Nakajima

(10) **Patent No.:** **US D508,478 S**

(45) **Date of Patent:** **** Aug. 16, 2005**

(54) **AMPLIFIER FOR ELECTRIC GUITAR**

(75) **Inventor:** **Kazuhito Nakajima, Hamamatsu (JP)**

(73) **Assignee:** **Yamaha Corporation, Shizuoka (JP)**

(**) **Term:** **14 Years**

(21) **Appl. No.:** **29/206,149**

(22) **Filed:** **May 27, 2004**

(30) **Foreign Application Priority Data**

Jan. 14, 2004 (JP) 2004-000701

(51) **LOC (8) Cl.** **14-03**

(52) **U.S. Cl.** **D14/188**

(58) **Field of Search** D14/188, 189,
D14/168, 169, 193-198, 265; 455/344-351,
100, 128; 381/386, 351; D17/20, 21, 99

(56) **References Cited**

U.S. PATENT DOCUMENTS

3,091,736 A * 5/1963 Germain 455/90.3
5,130,891 A * 7/1992 Christie 361/726
5,285,500 A * 2/1994 Mantz 381/86
D400,533 S * 11/1998 Xie D14/188

D410,465 S * 6/1999 Johnson et al. D14/188
D420,001 S * 2/2000 Ridinger D14/188
D451,083 S * 11/2001 Ito et al. D14/188
D474,760 S * 5/2003 Zhang D14/188
D476,306 S * 6/2003 Abe et al. D14/188
D495,012 S * 8/2004 Morimoto D14/188
D500,488 S * 1/2005 Uehara et al. D14/188

* cited by examiner

Primary Examiner—Prabhakar Deshmukh

(74) *Attorney, Agent, or Firm*—Sughrue Mion, PLLC

(57) **CLAIM**

The ornamental design for an amplifier for electric guitar, as shown.

DESCRIPTION

FIG. 1 is a perspective view of the top, front and right side of an amplifier for electric guitar showing my new design; FIG. 2 is a front elevational view thereof; FIG. 3 is a rear elevational view thereof; FIG. 4 is a top plan view thereof; FIG. 5 is a right side elevational view thereof; FIG. 6 is a left side elevational view thereof; and, FIG. 7 is a bottom plan view thereof.

1 Claim, 5 Drawing Sheets

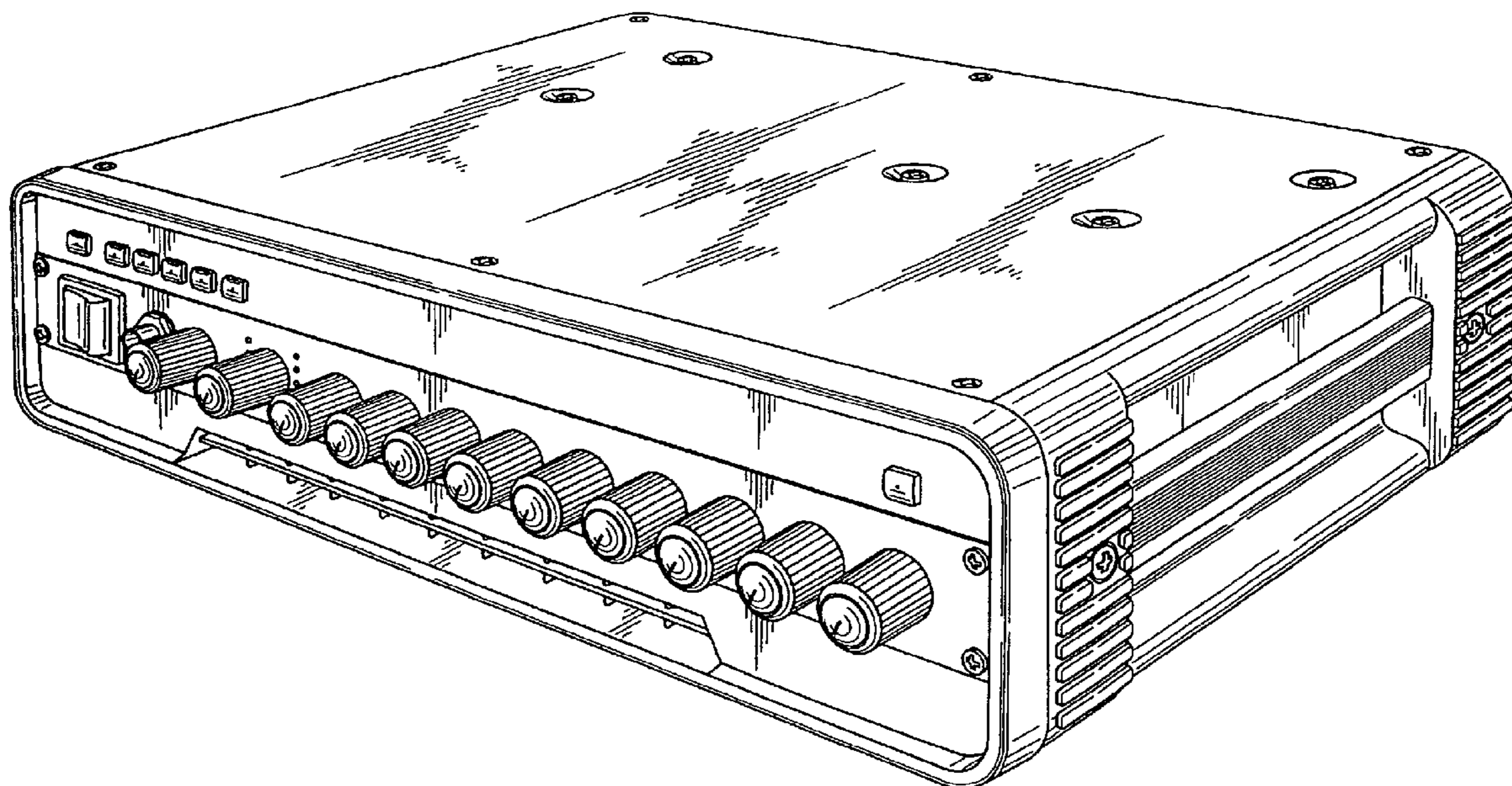


FIG. 1

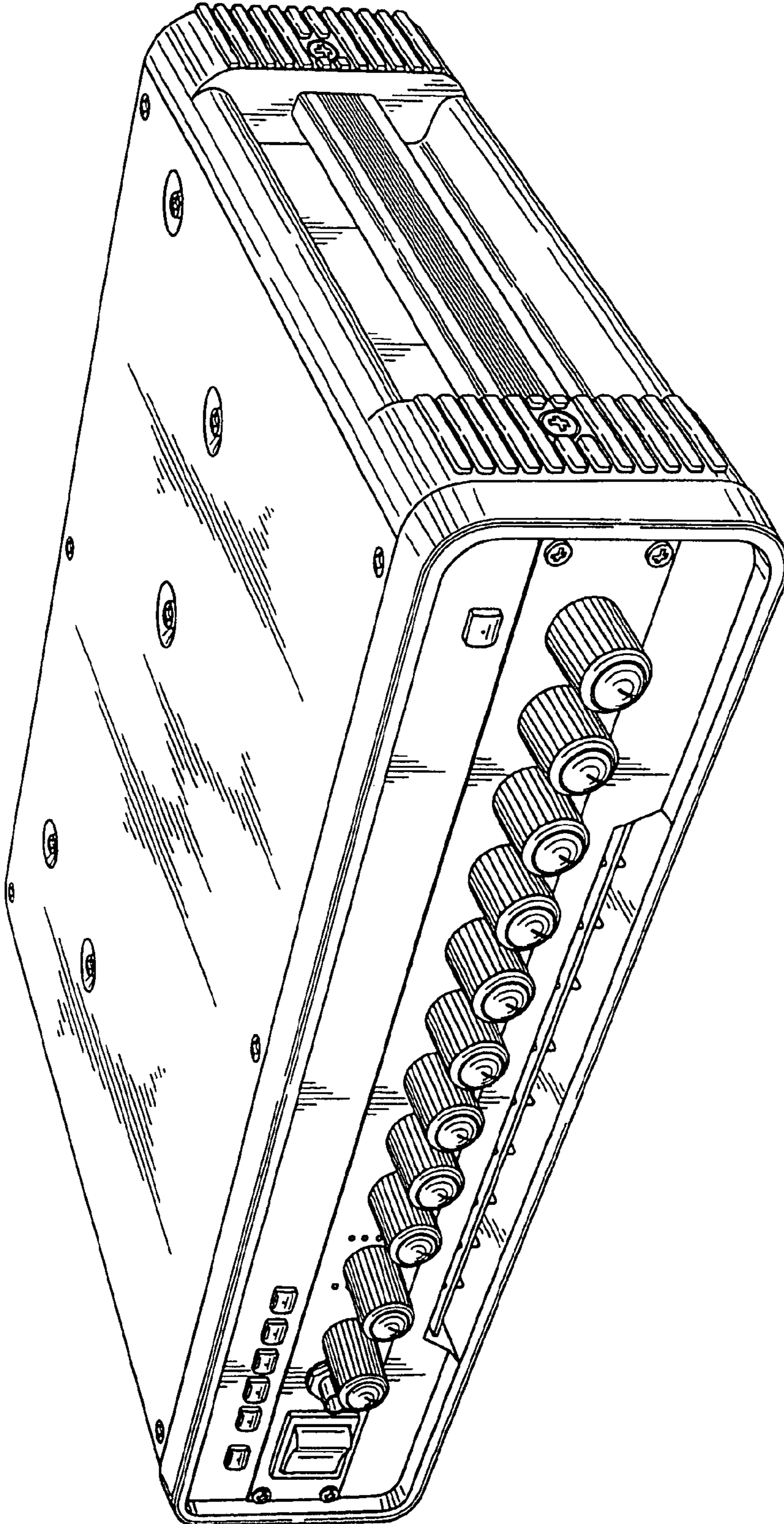


FIG. 2

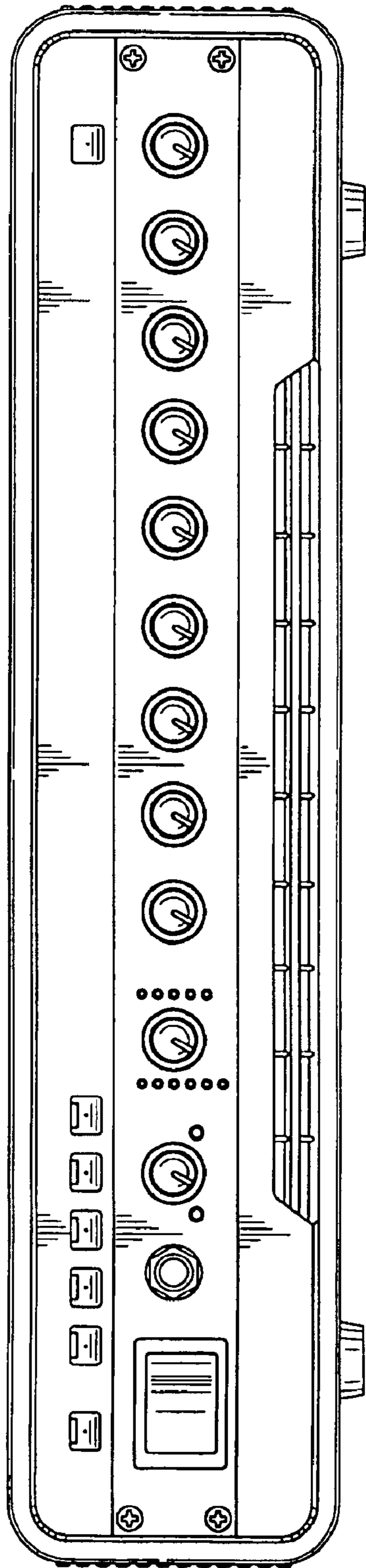


FIG. 3

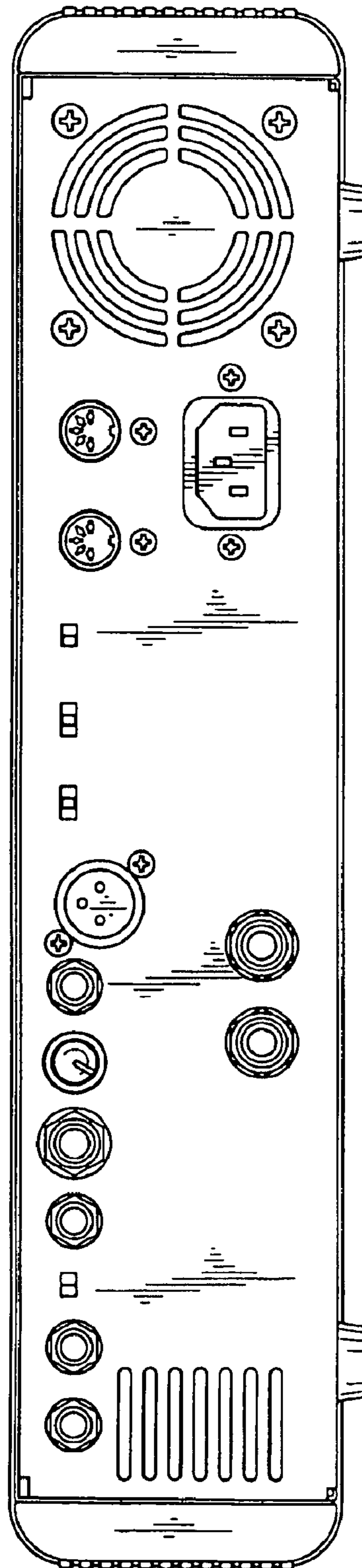


FIG. 4

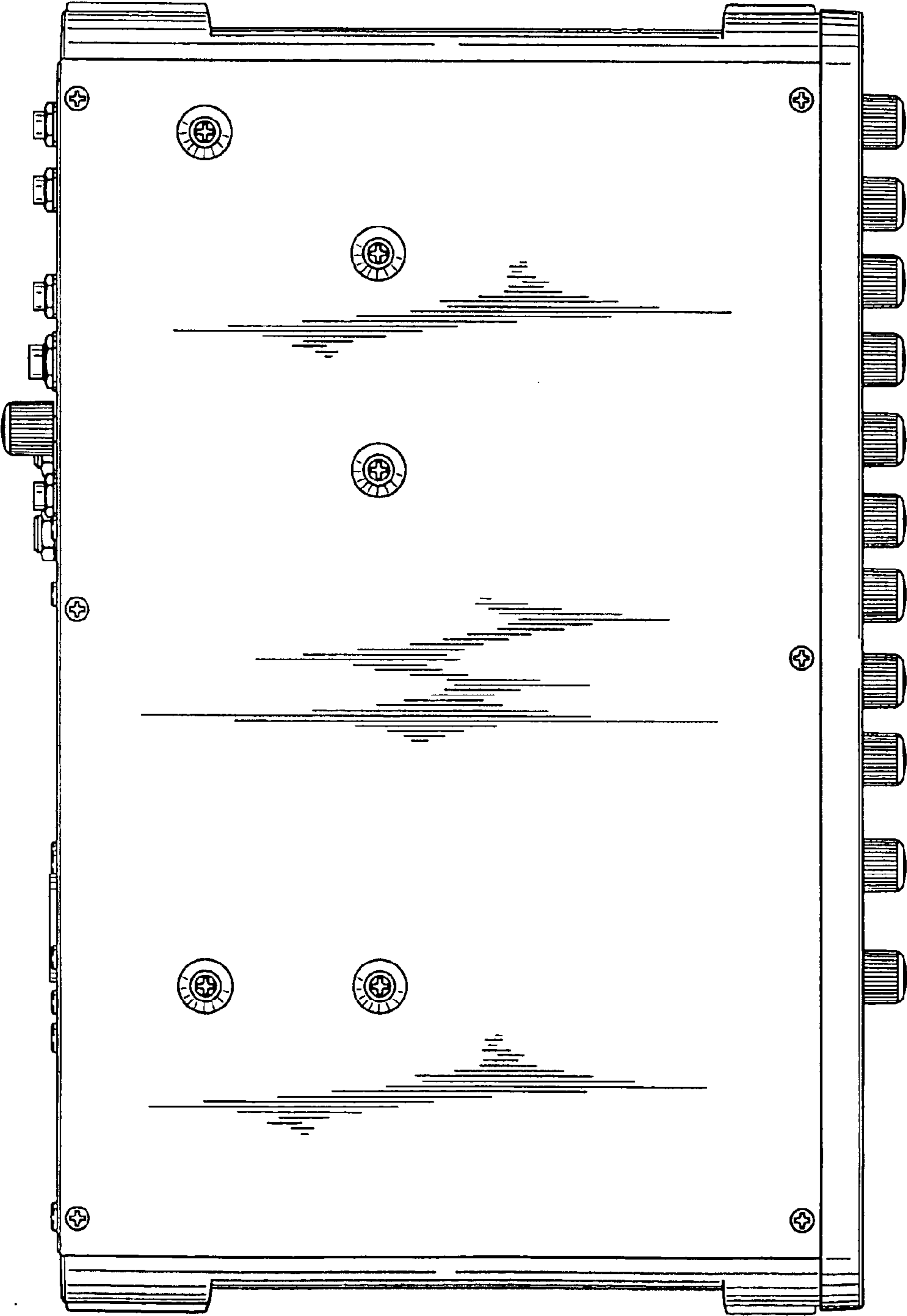


FIG. 5

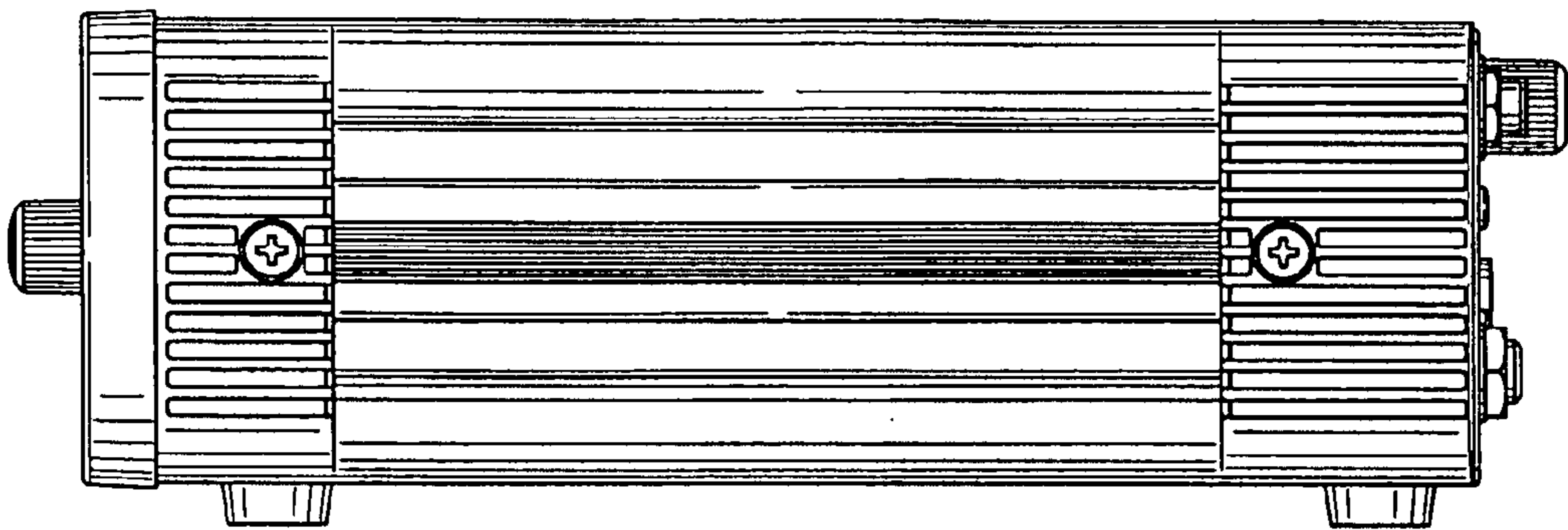


FIG. 6

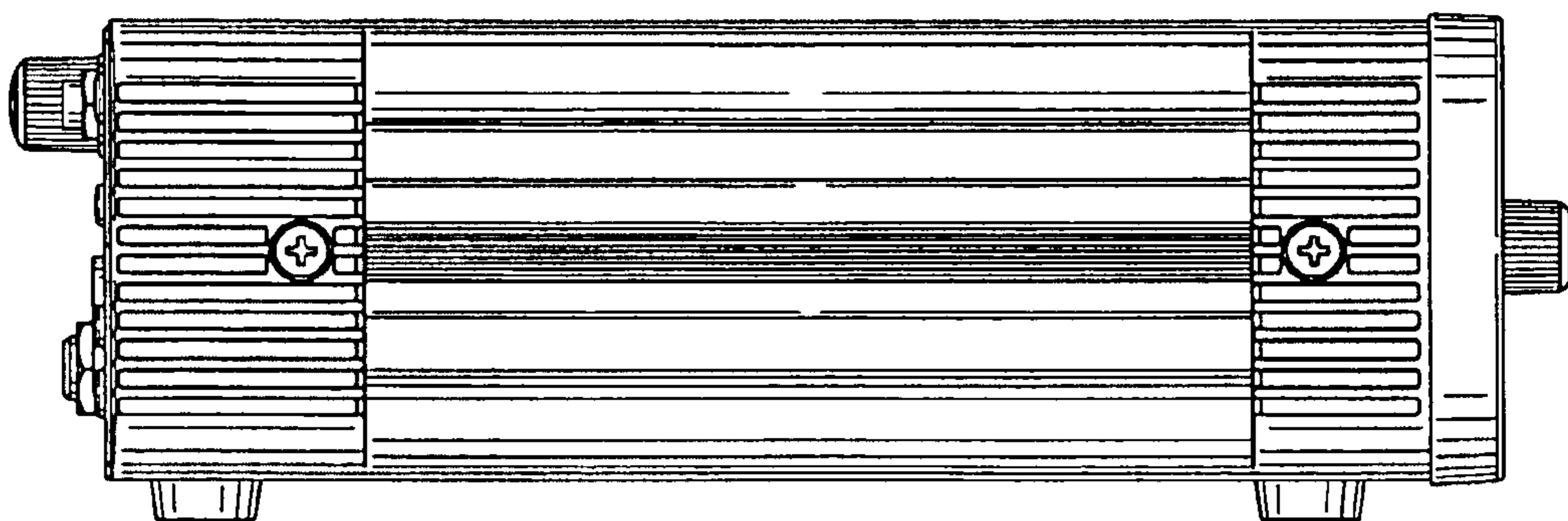


FIG. 7

