



US00D508472S

(12) **United States Design Patent**
Huang

(10) **Patent No.:** **US D508,472 S**
(45) **Date of Patent:** **** Aug. 16, 2005**

(54) **REAR PROJECTION TELEVISION**

D483,727 S * 12/2003 Tseng et al. D14/128

(75) Inventor: **Lih-Teh Huang**, Taipei (TW)

OTHER PUBLICATIONS

(73) Assignee: **Taiwan Kolin Co., Ltd.**, Taipei (TW)

Sears cat., p. 8, 2000.*

Hitachi cat. Sep. 1, 1999.*

(**) Term: **14 Years**

* cited by examiner

(21) Appl. No.: **29/204,284**

Primary Examiner—Raphael Barkai

(22) Filed: **Apr. 28, 2004**

(74) *Attorney, Agent, or Firm*—Rosenberg, Klein & Lee

(51) **LOC (8) Cl.** **14-03**

(57) **CLAIM**

(52) **U.S. Cl.** **D14/128**

The ornamental design for a rear projection television, as shown.

(58) **Field of Search** D14/125–134,
D14/239, 371, 374–376; 312/7.2; 348/836,
838, 180, 184, 325, 739; 341/12; 248/917–924;
345/104, 133, 156, 168, 87, 173; 353/74

DESCRIPTION

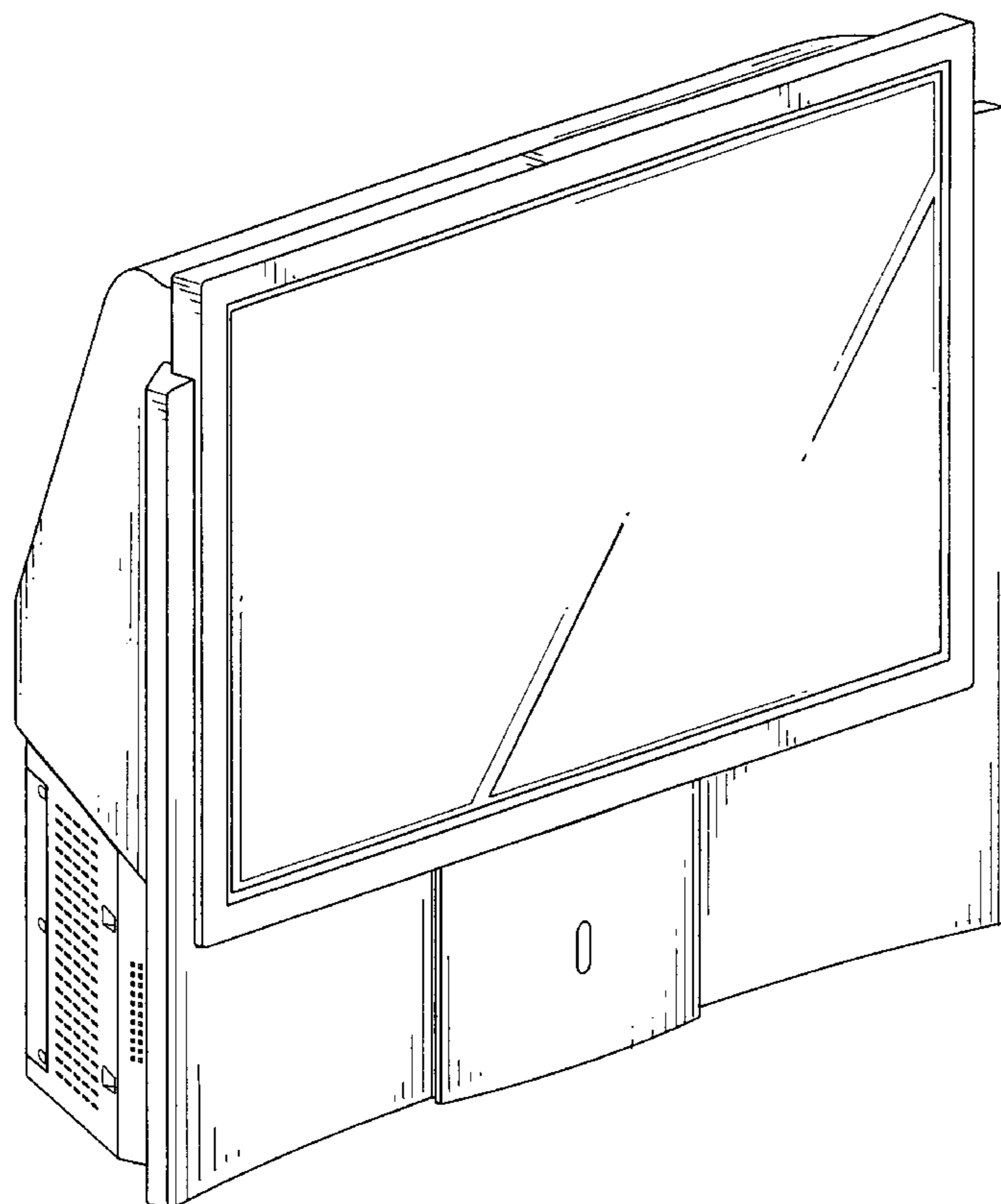
(56) **References Cited**

FIG. 1 is a perspective view of a rear projection television showing my new design;
FIG. 2 is a front elevational view thereof;
FIG. 3 is a rear elevational view thereof;
FIG. 4 is a left elevational view thereof;
FIG. 5 is a right elevational view thereof;
FIG. 6 is top plan view thereof; and,
FIG. 7 is a bottom plan view thereof.

U.S. PATENT DOCUMENTS

- 5,506,642 A * 4/1996 Suzuki et al. 353/74
- D410,917 S * 6/1999 Novak et al. D14/128
- D431,232 S * 9/2000 Yokoyama et al. D14/128
- D434,015 S * 11/2000 Oe et al. D14/128
- D439,570 S * 3/2001 Tsao et al. D14/133
- D476,633 S * 7/2003 Oe et al. D14/133

1 Claim, 6 Drawing Sheets



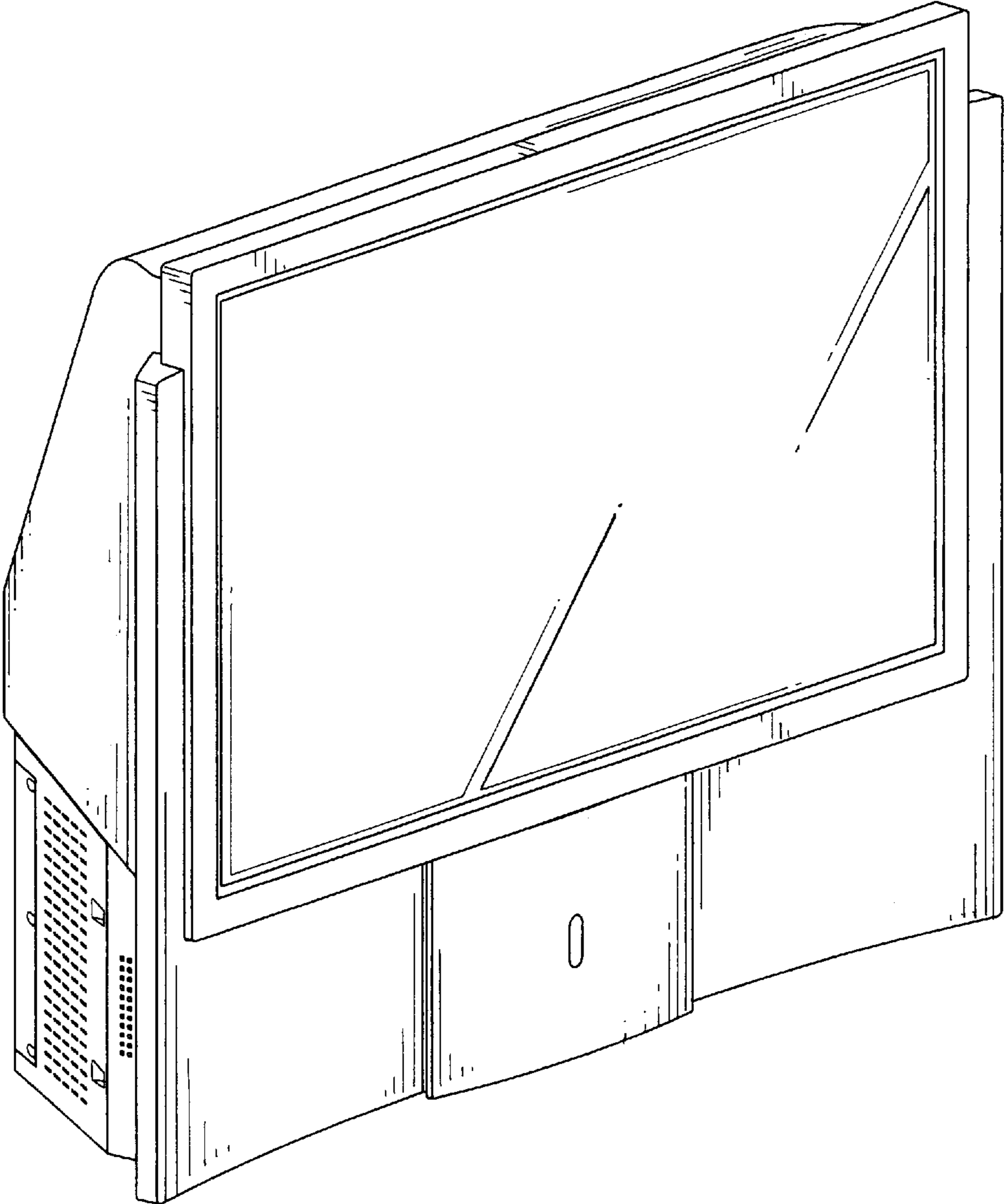


FIG.1

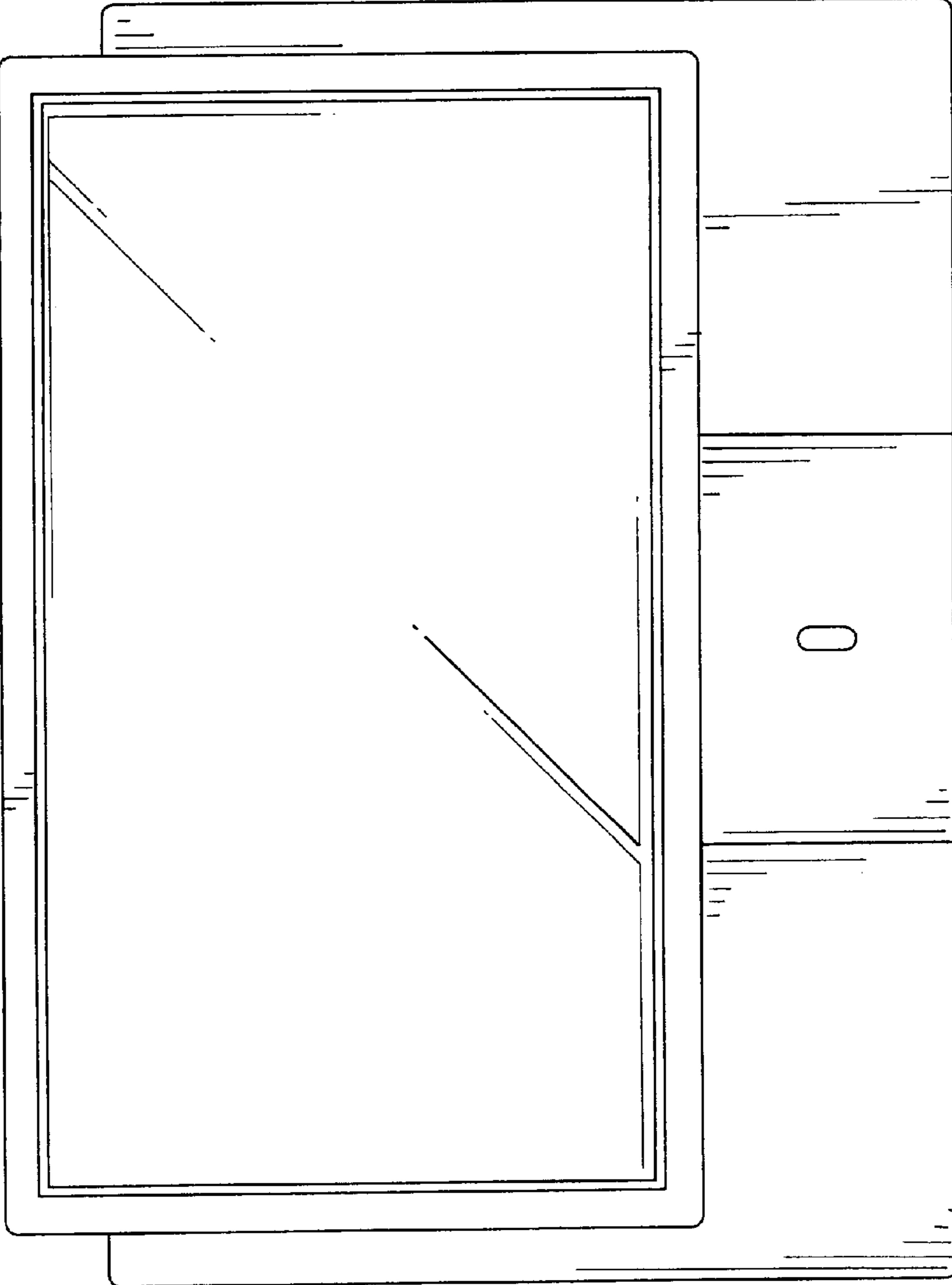


FIG.2

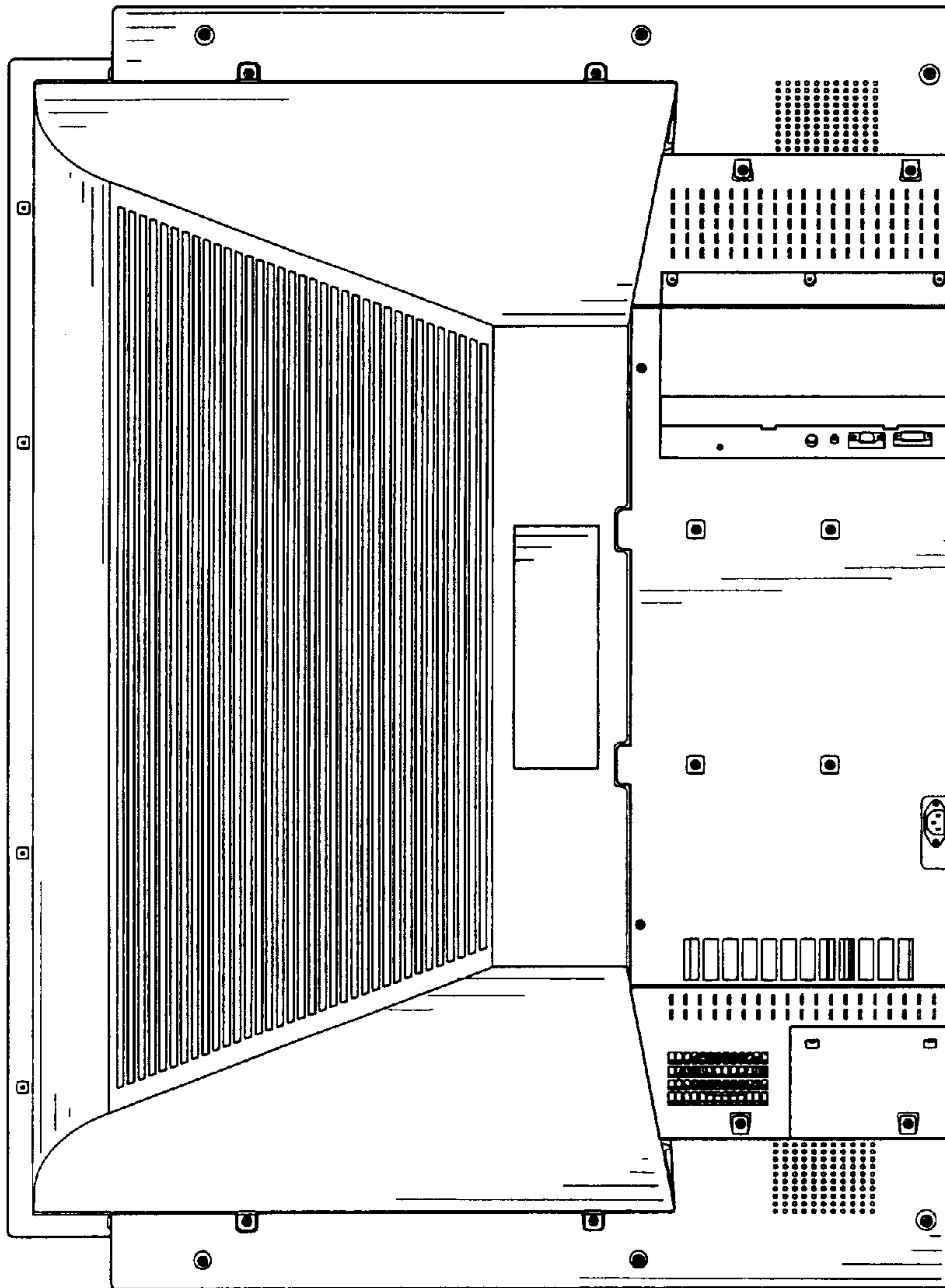


FIG.3

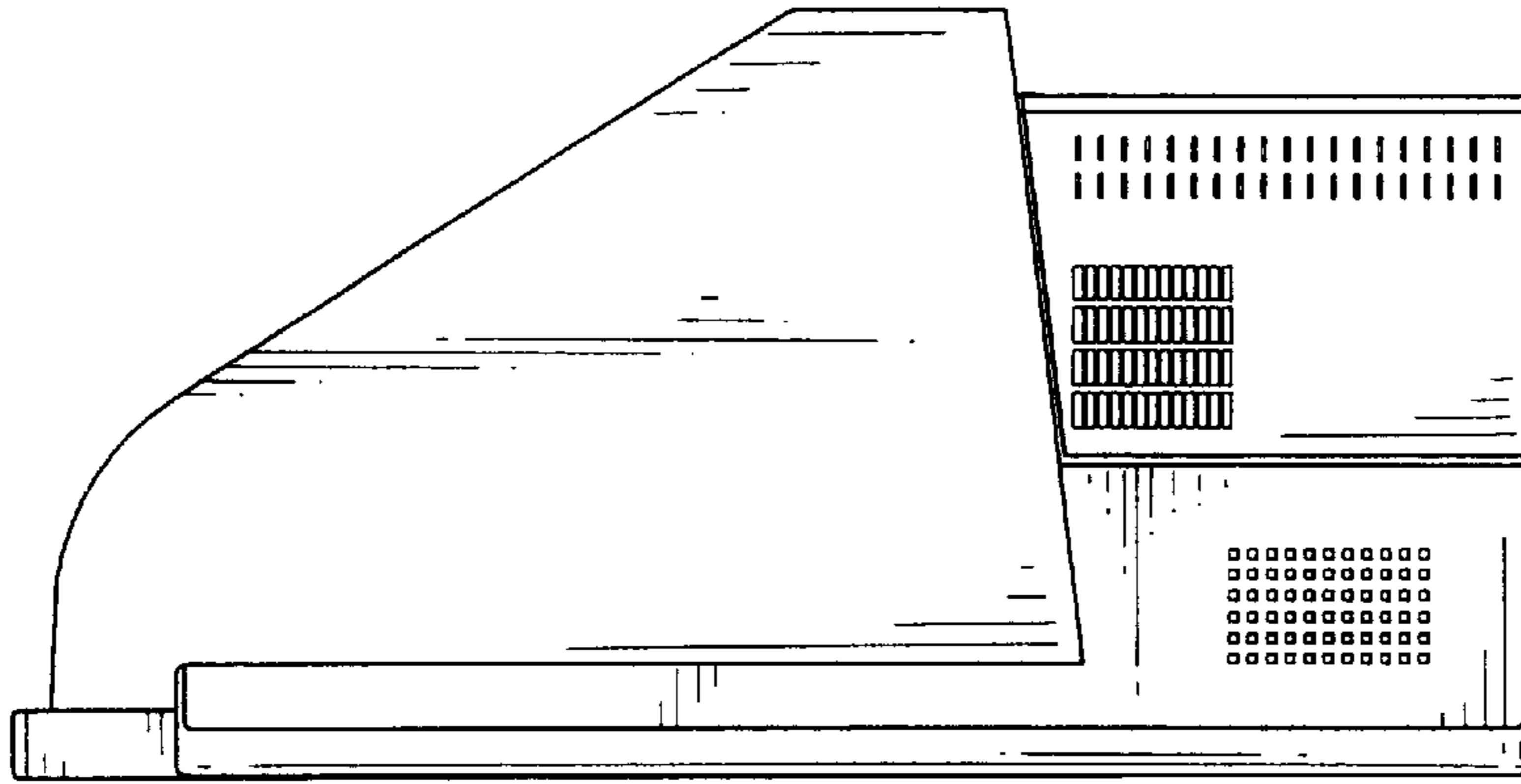


FIG. 5

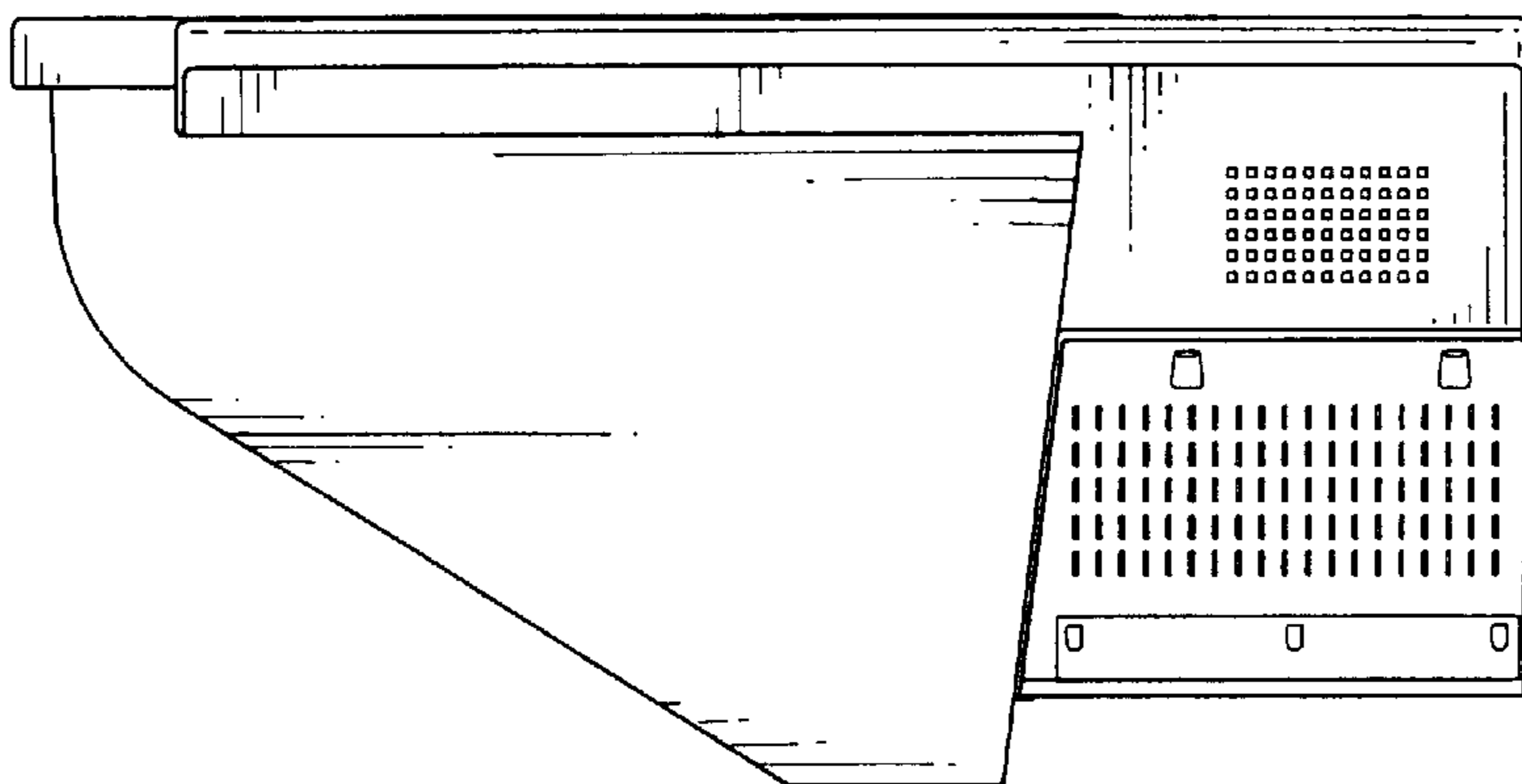


FIG. 4

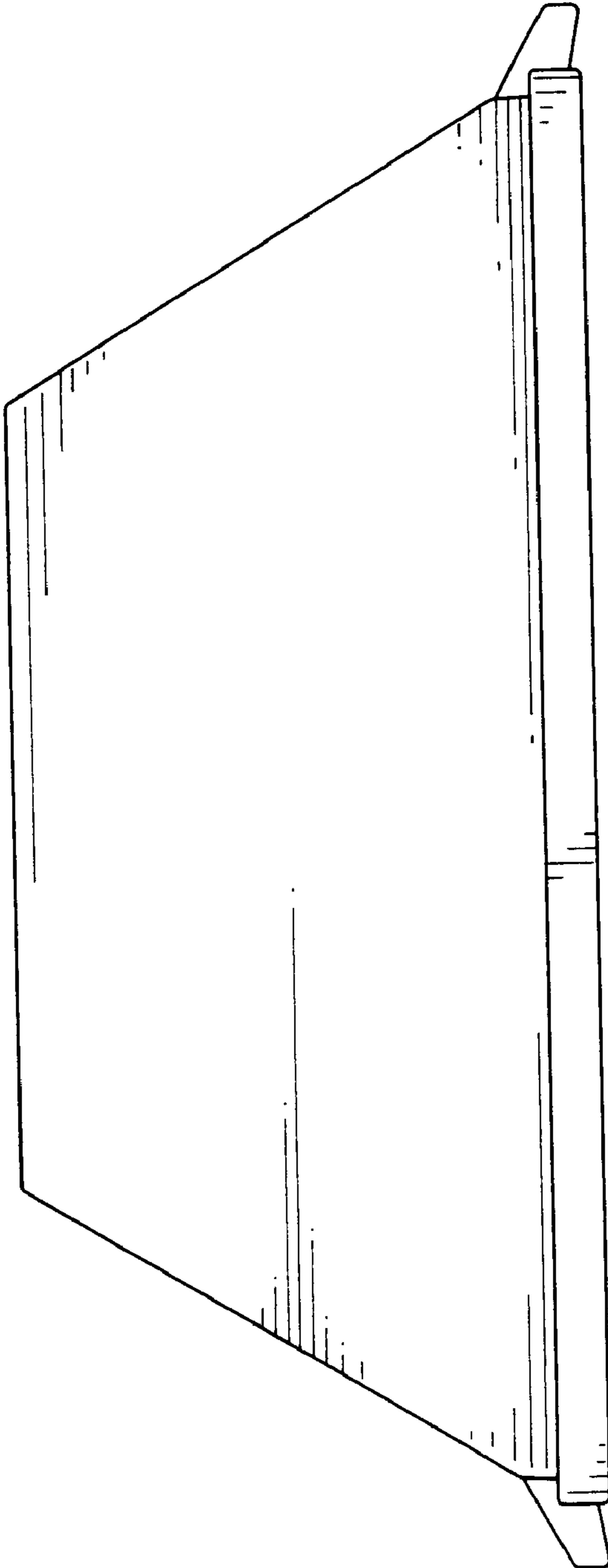


FIG.6

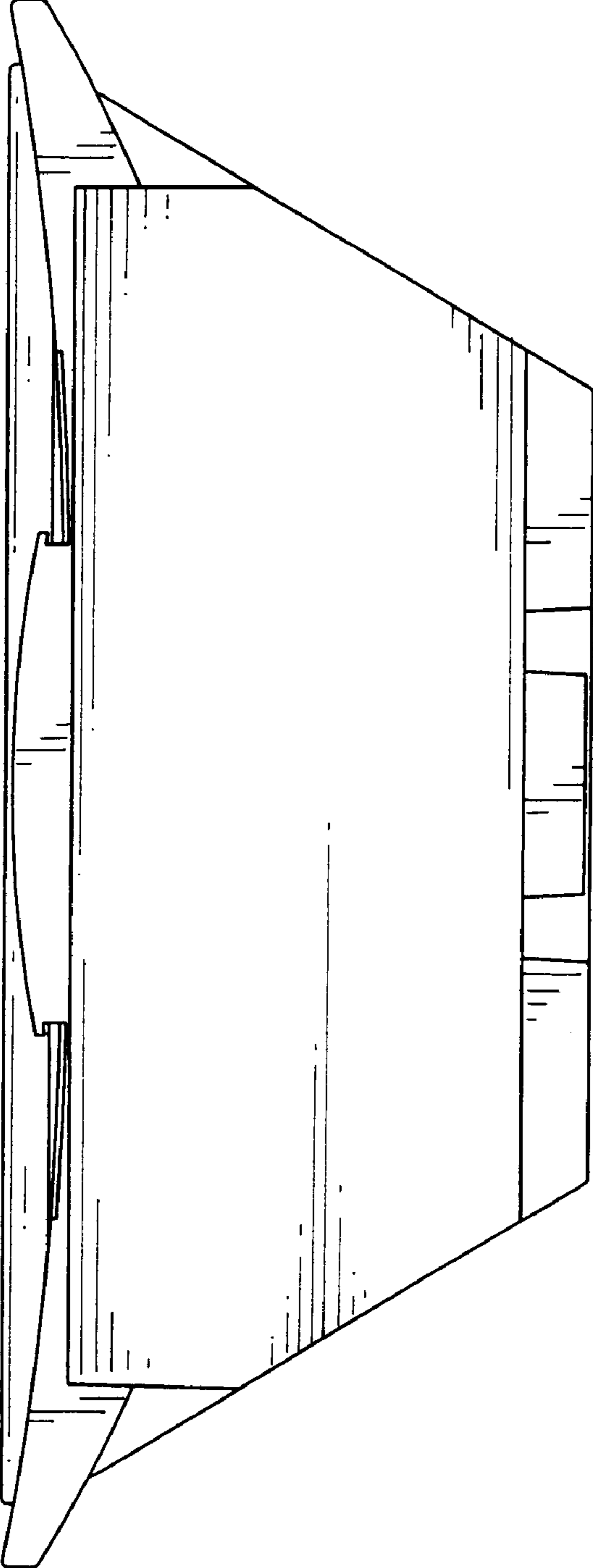


FIG.7