

US00D508468S

(12) **United States Design Patent** (10) **Patent No.:** **US D508,468 S**  
**Ishida** (45) **Date of Patent:** **\*\* \*Aug. 16, 2005**

(54) **LIGHT EMITTING DIODE**

JP D1170881 S 4/2003

(Continued)

(75) Inventor: **Masashi Ishida**, Naka-gun (JP)

*Primary Examiner*—Stella Reid  
*Assistant Examiner*—Selina Sikder

(73) Assignee: **Nichia Corporation**, Anan (JP)

(74) *Attorney, Agent, or Firm*—Smith Patent Office

(\*) Notice: This patent is subject to a terminal disclaimer.

(57) **CLAIM**

(\*\*) Term: **14 Years**

I claim the ornamental design for the light emitting diode, as shown and described.

(21) Appl. No.: **29/183,013**

**DESCRIPTION**

(22) Filed: **Jun. 5, 2003**

(51) **LOC (8) Cl.** ..... **13-03**

(52) **U.S. Cl.** ..... **D13/180**

(58) **Field of Search** ..... D13/180, 182;  
257/76, 79, 88, 89, 93–99, 434, 676, 678,  
687, 690, 698, 787; 313/498, 799, 500;  
361/760, 820; 362/226, 241, 249, 250,  
307, 555, 800

FIG. 1 is a perspective view of a light emitting diode showing my new design;  
 FIG. 2 is a plan view of the light emitting diode according to the embodiment of FIG. 1;  
 FIG. 3 is a left view of the light emitting diode according to the embodiment of FIG. 1;  
 FIG. 4 is a front elevational view of the light emitting diode according to the embodiment of FIG. 1;  
 FIG. 5 is a right view of the light emitting diode according to the embodiment of FIG. 1;  
 FIG. 6 is a bottom plan of the light emitting diode according to the embodiment of FIG. 1;  
 FIG. 7 is a rear elevational view of the light emitting diode according to the embodiment of FIG. 1;  
 FIG. 8 is a perspective view of a light emitting diode according to another embodiment of my new design;  
 FIG. 9 is a plan view of the light emitting diode according to the embodiment of FIG. 8;  
 FIG. 10 is a left view of the light emitting diode according to the embodiment of FIG. 8;  
 FIG. 11 is a front elevational view of the light emitting diode according to the embodiment of FIG. 8;  
 FIG. 12 is a right view of the light emitting diode according to the embodiment of FIG. 8;  
 FIG. 13 is a bottom plan view of the light emitting diode according to the embodiment of FIG. 8; and,  
 FIG. 14 is a rear elevational view of the light emitting diode according to the embodiment of FIG. 8.  
 The broken line showing of the environment is for illustrative purpose only and forms no part of the claimed design.

(56) **References Cited**

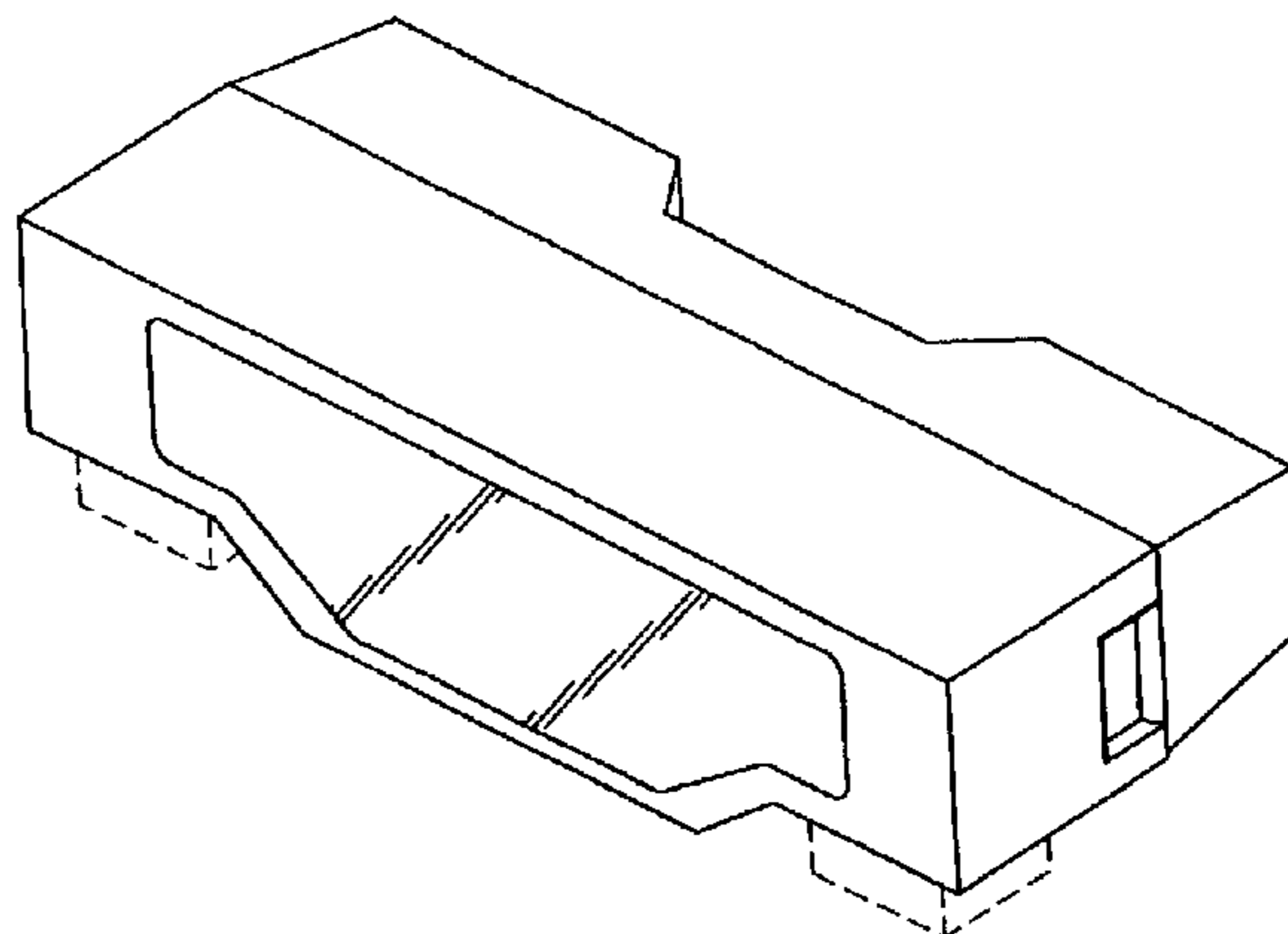
**U.S. PATENT DOCUMENTS**

D432,095 S	*	10/2000	Seeger et al. ....	D13/182
6,495,860 B1	*	12/2002	Yu .....	257/99
D482,337 S	*	11/2003	Kamada .....	D13/182
D489,677 S	*	5/2004	Ishida .....	D13/100
D489,690 S	*	5/2004	Ishida .....	D13/180
D489,691 S	*	5/2004	Ishida .....	D13/180
D489,692 S	*	5/2004	Ishida .....	D13/180
D489,693 S	*	5/2004	Ishida .....	D13/180
D490,062 S	*	5/2004	Ishida .....	D13/180
D490,384 S	*	5/2004	Ishida .....	D13/180
D490,385 S	*	5/2004	Ishida .....	D13/180
D490,386 S	*	5/2004	Ishida .....	D13/180
D490,783 S	*	6/2004	Ishida .....	D13/180
D490,784 S	*	6/2004	Ishida .....	D13/180
D491,538 S	*	6/2004	Ishida .....	D13/182
2002/0149314 A1	*	10/2002	Takahashi et al. ....	313/500

**FOREIGN PATENT DOCUMENTS**

JP	D984224-1 S	10/1997
JP	D1077515 S	7/2000
JP	D1170087 S	4/2003

**1 Claim, 4 Drawing Sheets**



# US D508,468 S

Page 2

---

## FOREIGN PATENT DOCUMENTS

JP D1171195 S 4/2003  
JP D1171196 S 4/2003  
JP D1171708 S 4/2003  
JP D1171709 S 4/2003

JP D1171710 S 4/2003  
KR 30-0294490 S 3/2002  
KR 30-0294490-1 S 3/2002

\* cited by examiner

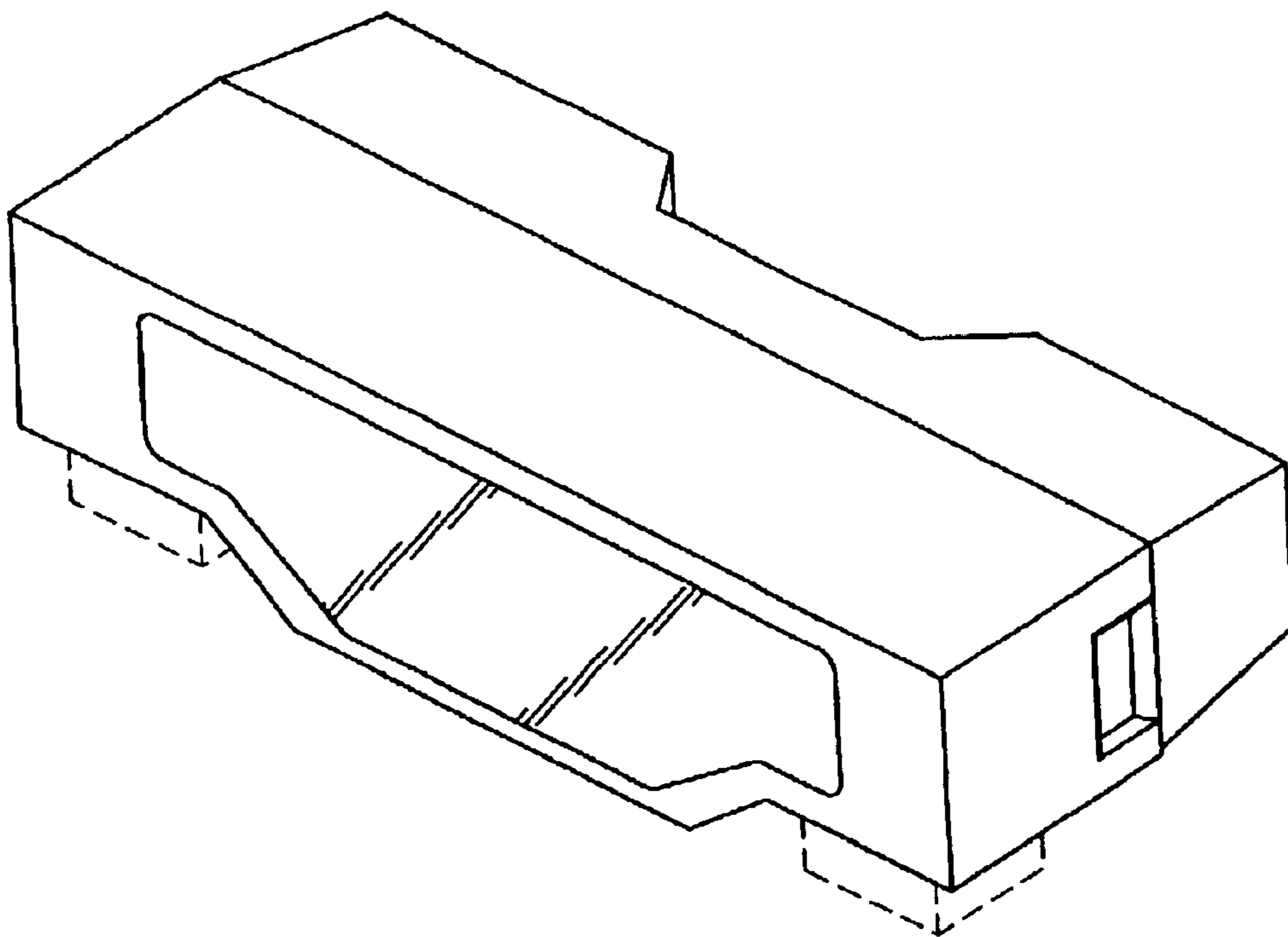


FIG. 1

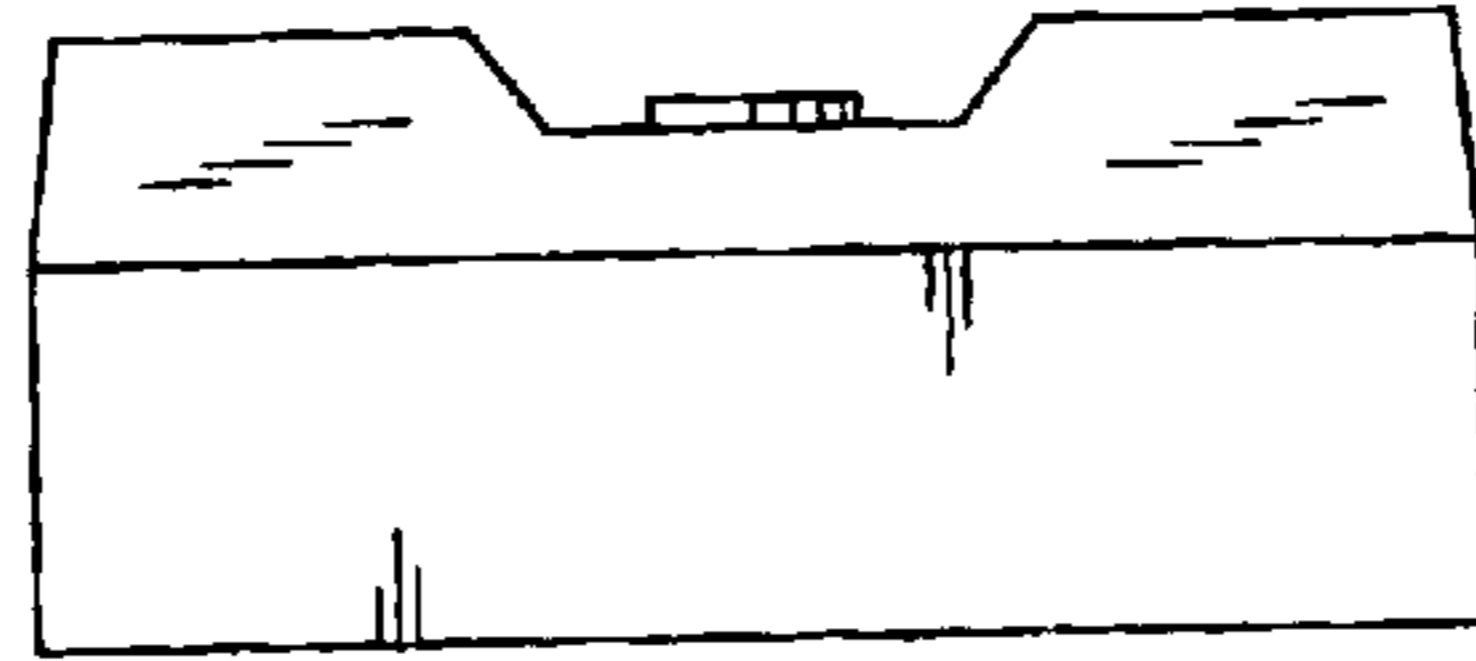


FIG. 2

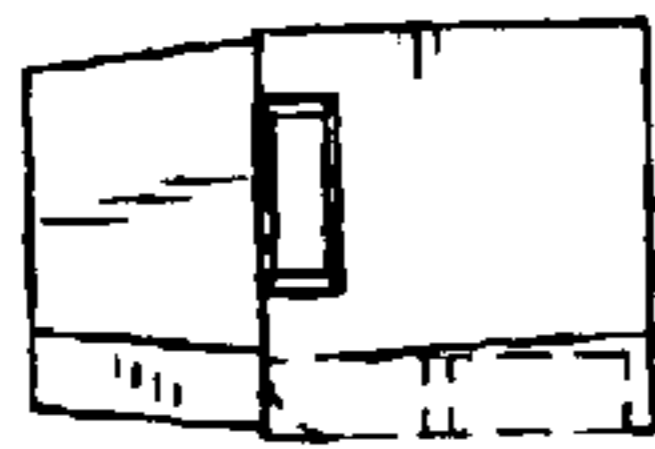


FIG. 3

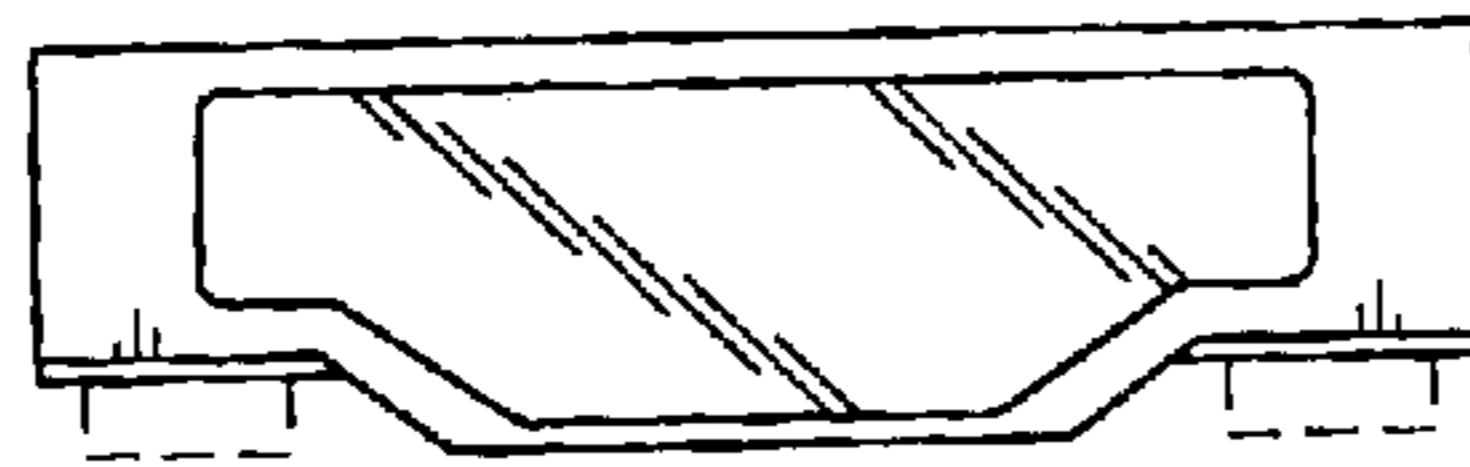


FIG. 4

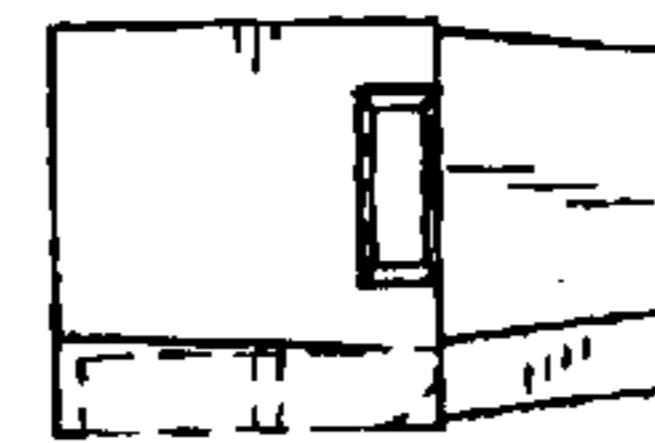


FIG. 5

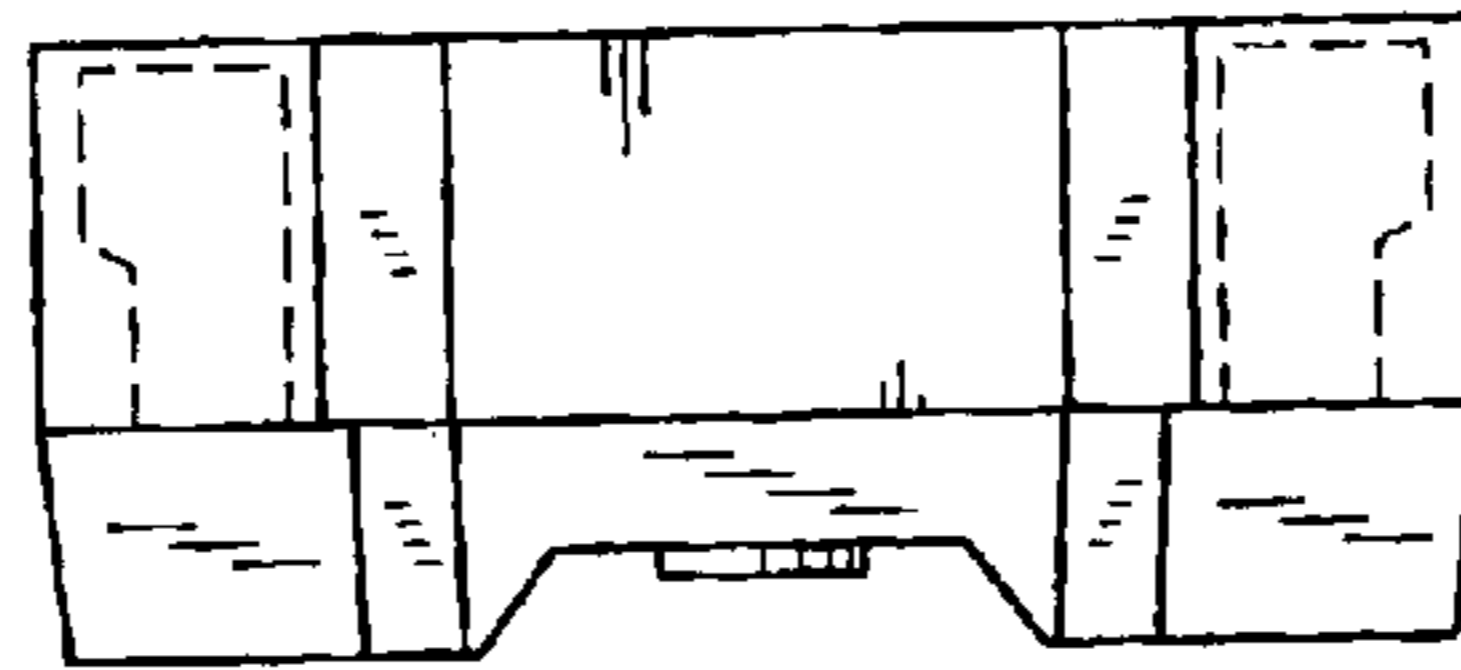


FIG. 6

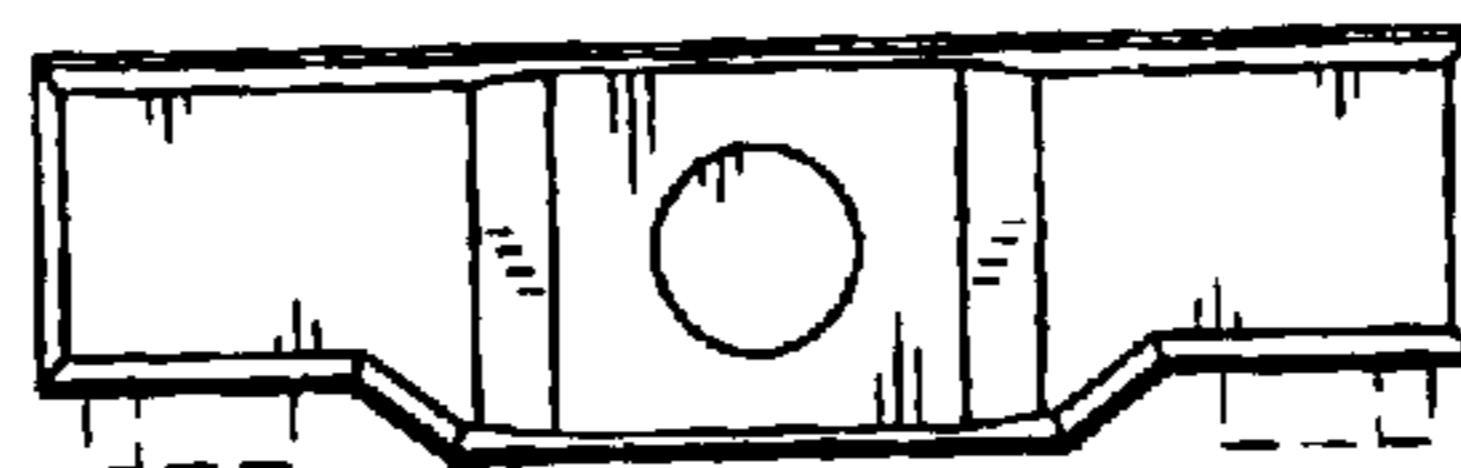


FIG. 7

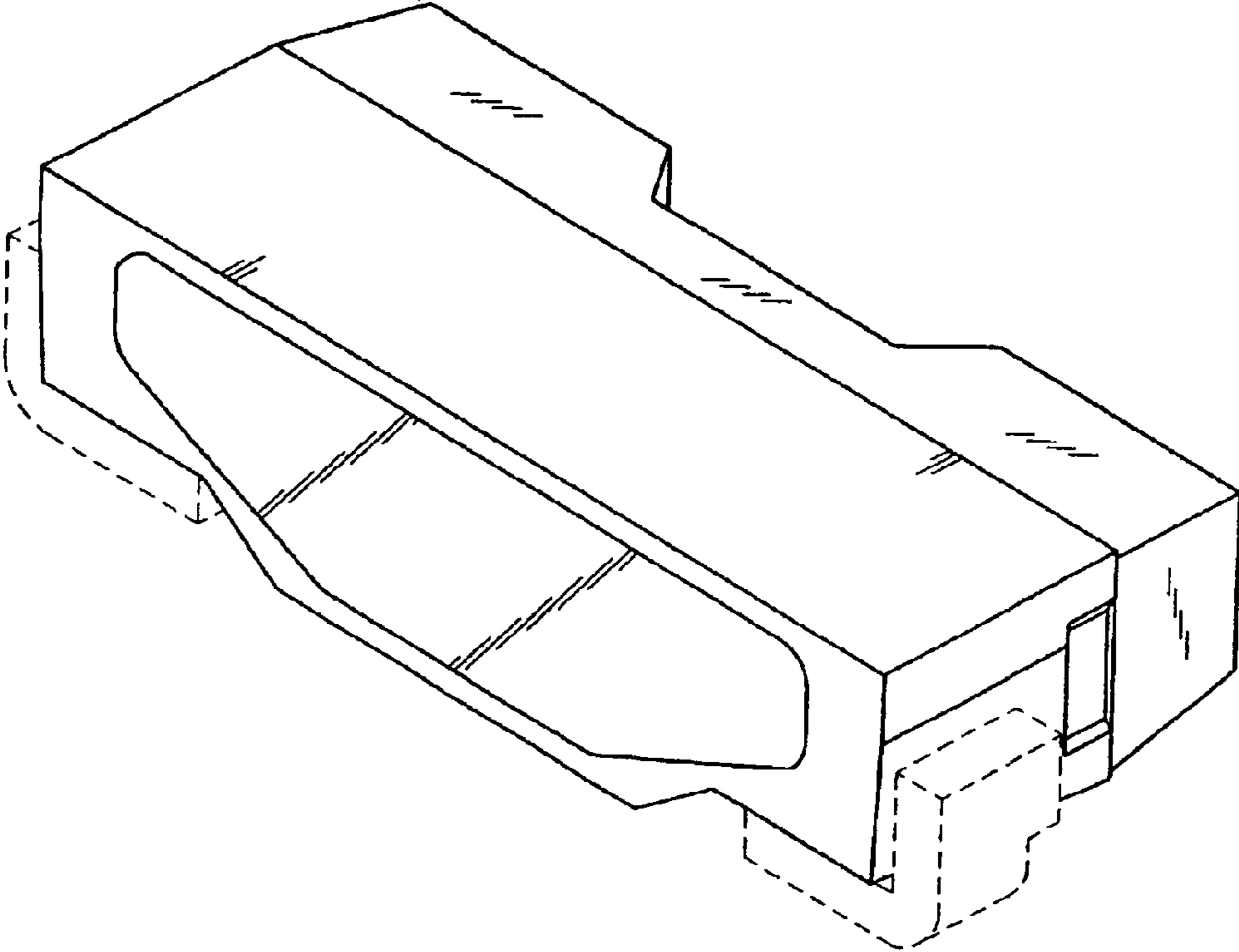


FIG. 8

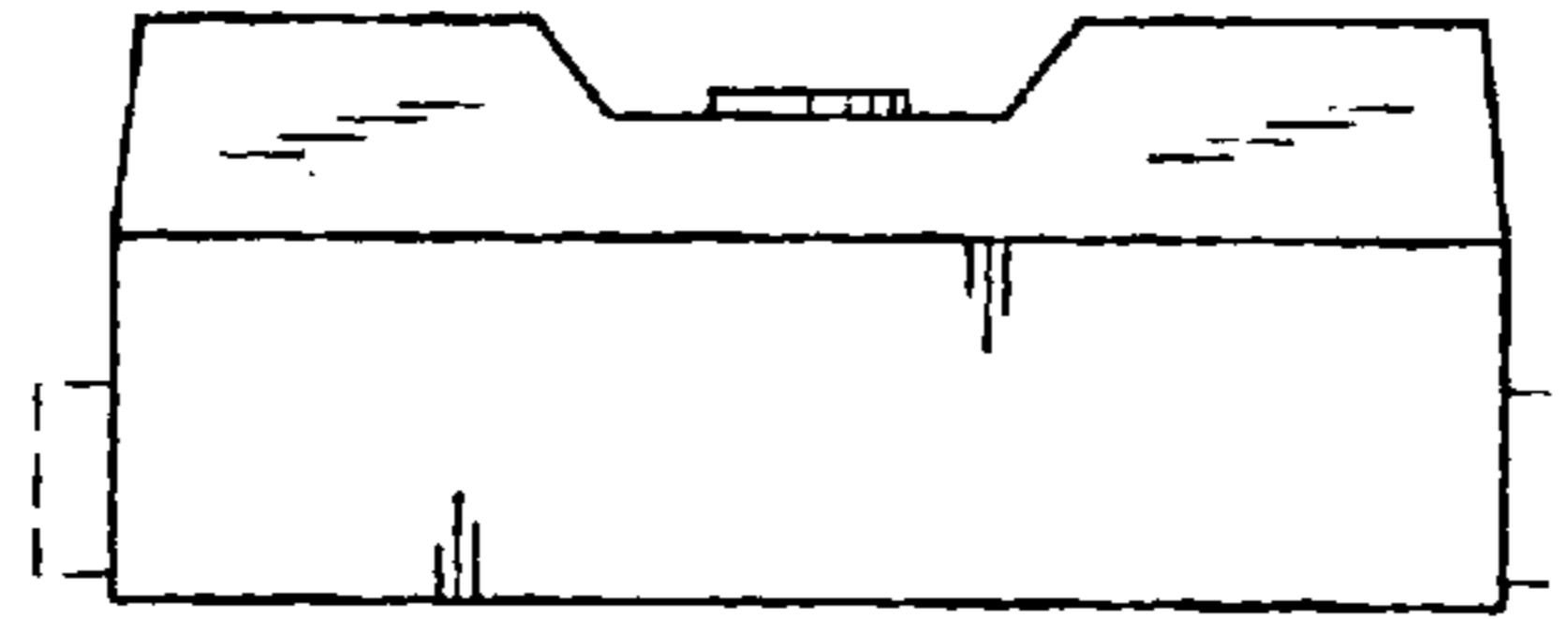


FIG. 9

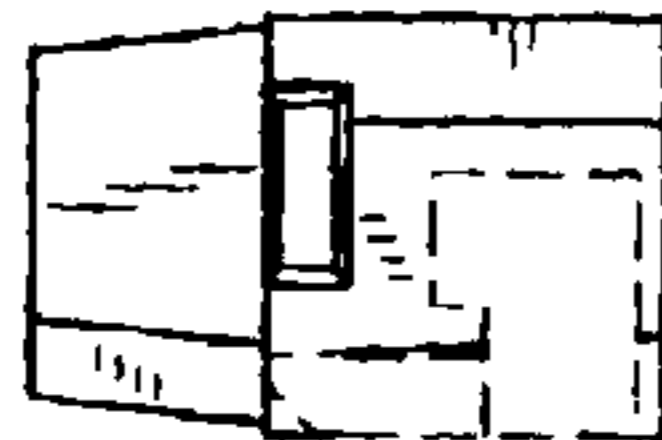


FIG. 10

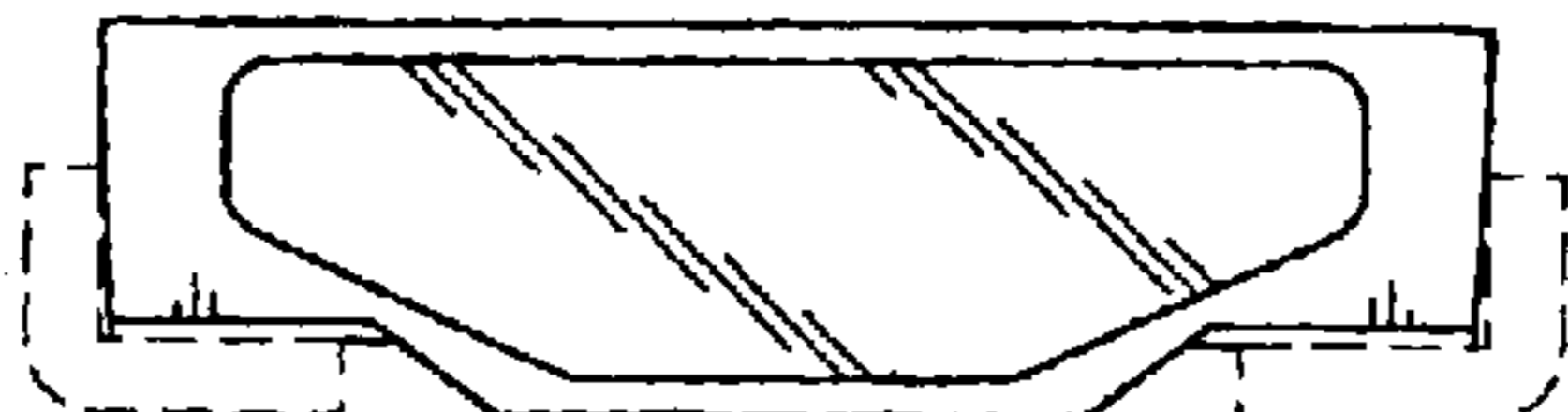


FIG. 11

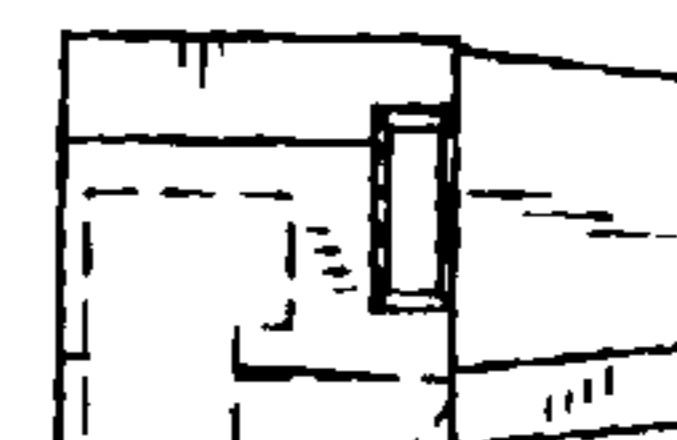


FIG. 12

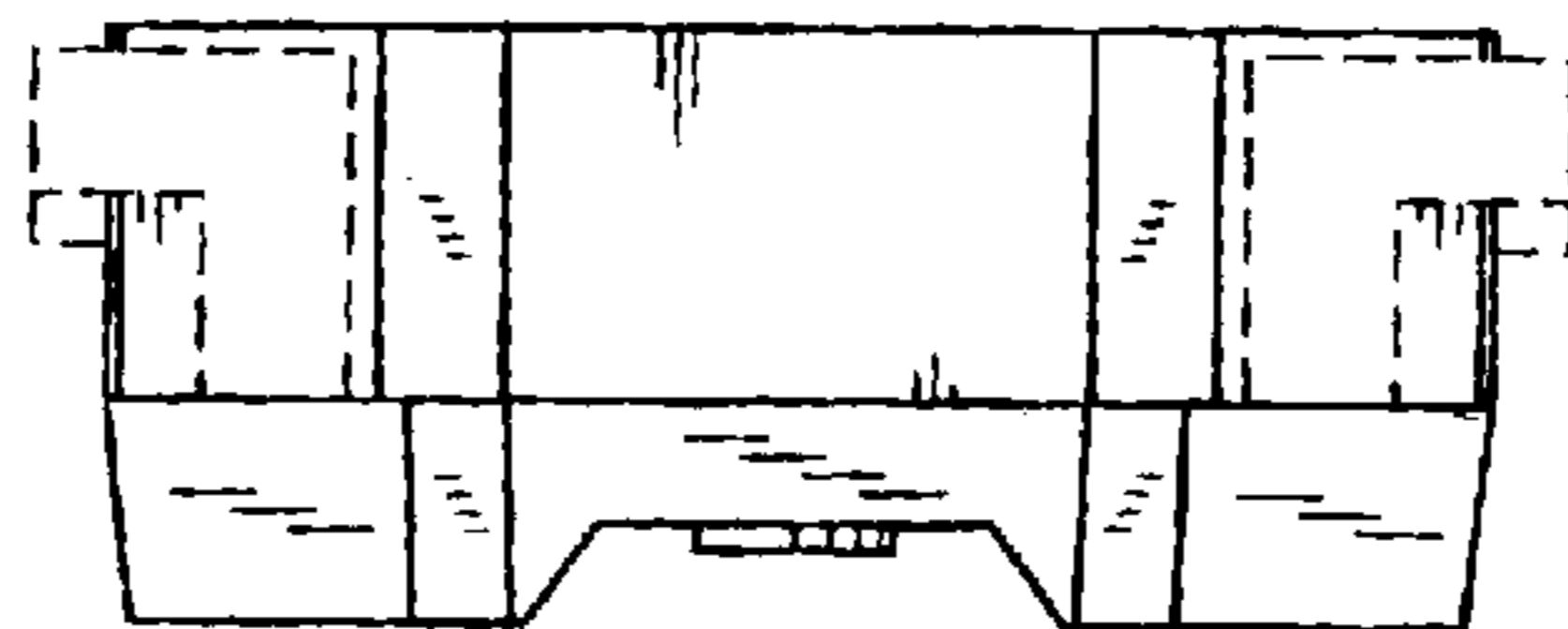


FIG. 13

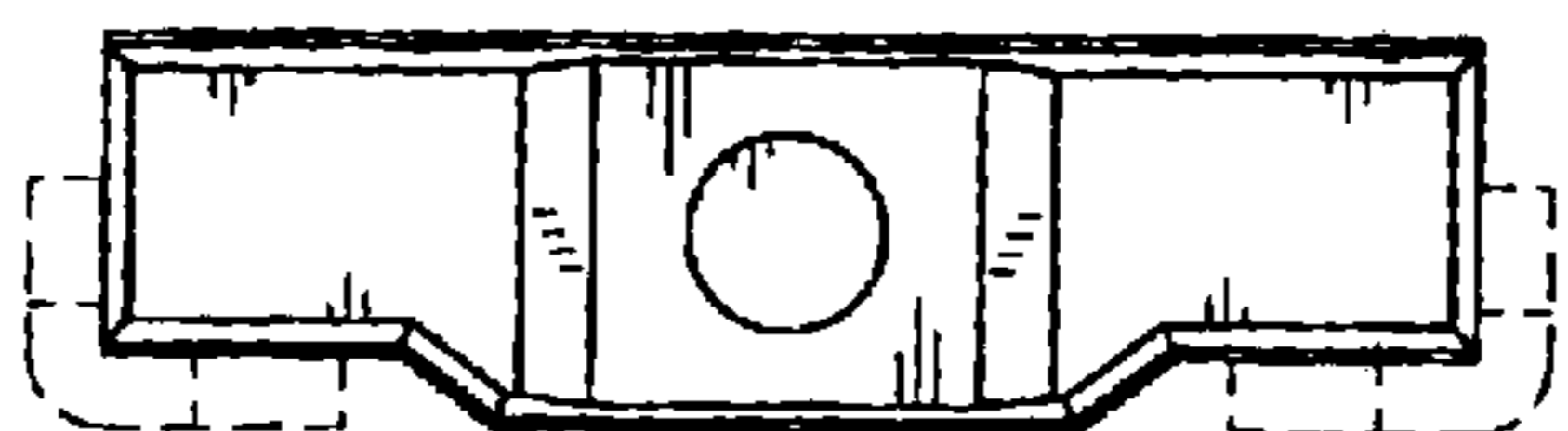


FIG. 14