

US00D508466S

(12) **United States Design Patent**
Dobler

(10) **Patent No.:** **US D508,466 S**

(45) **Date of Patent:** **** Aug. 16, 2005**

(54) **CABLE CONNECTOR**

(75) **Inventor:** **Oliver Dobler**, Tschagguns (AT)

(73) **Assignee:** **Neutrik Aktiengesellschaft**, Schaan (LI)

(**) **Term:** **14 Years**

(21) **Appl. No.:** **29/212,667**

(22) **Filed:** **Sep. 3, 2004**

(30) **Foreign Application Priority Data**

Mar. 17, 2004 (EM) 000152970

(51) **LOC (8) Cl.** **13-03**

(52) **U.S. Cl.** **D13/154**

(58) **Field of Search** D13/133, 144,
D13/146, 149, 154, 156; 439/350, 488,
489, 668, 669, 675, 750, 851, 889; D14/256,
433

(56) **References Cited**

U.S. PATENT DOCUMENTS

D313,790 S * 1/1991 Hirabayashi D13/133
D371,762 S * 7/1996 Lee D13/133

D434,009 S * 11/2000 Lee D13/154
6,193,559 B1 * 2/2001 Weingartner 439/669
D453,322 S * 2/2002 Lee D13/154
D475,348 S * 6/2003 D'Addario et al. D13/133
2002/0177364 A1 * 11/2002 Mine et al. 439/669

* cited by examiner

Primary Examiner—Holly Baynham

Assistant Examiner—Cynthia M. Chin

(74) *Attorney, Agent, or Firm*—Neal L. Slifkin

(57) **CLAIM**

The ornamental design for a cable connector, as shown and described.

DESCRIPTION

FIG. 1 is a perspective view of an cable connector showing my design;

FIG. 2 is a second perspective view thereof;

FIG. 3 is a right side elevation view thereof;

FIG. 4 is a top plan view thereof;

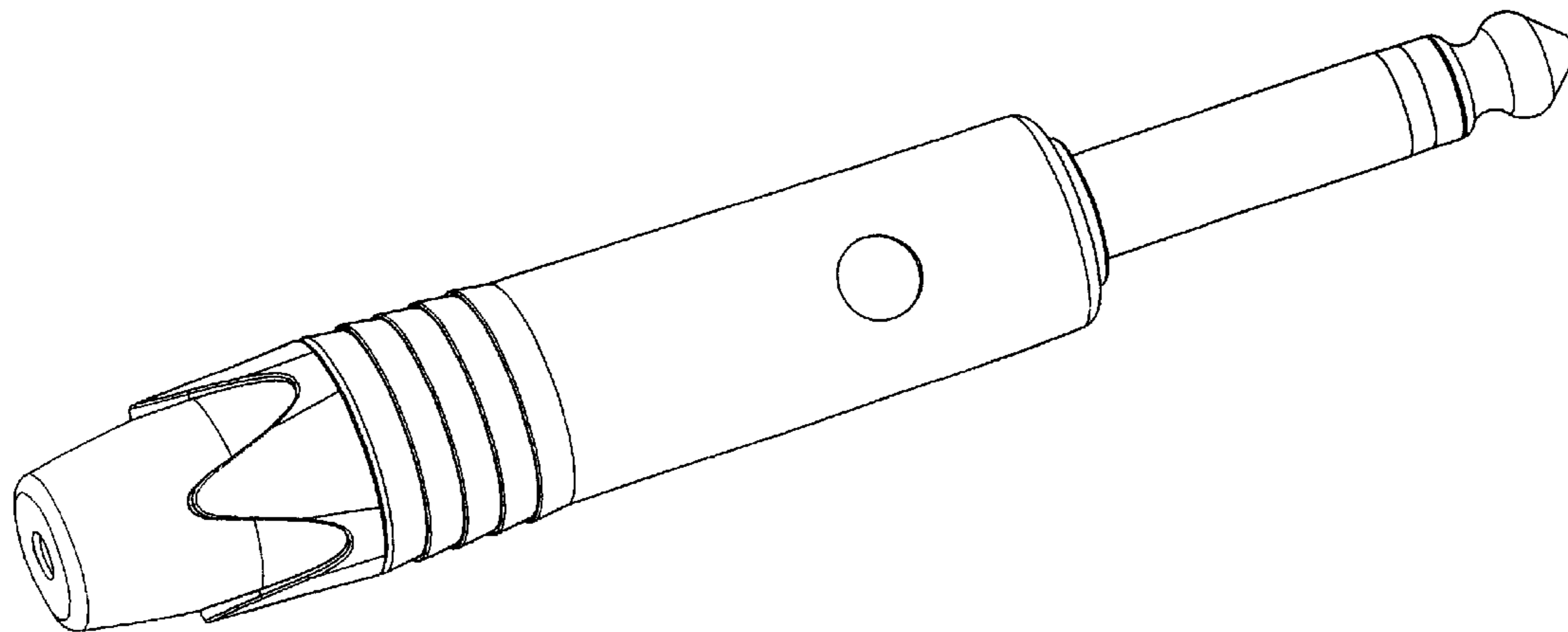
FIG. 5 is a left side elevation view thereof;

FIG. 6 is a bottom plan view thereof;

FIG. 7 is a rear elevation view thereof; and,

FIG. 8 is a front elevation view thereof.

1 Claim, 3 Drawing Sheets



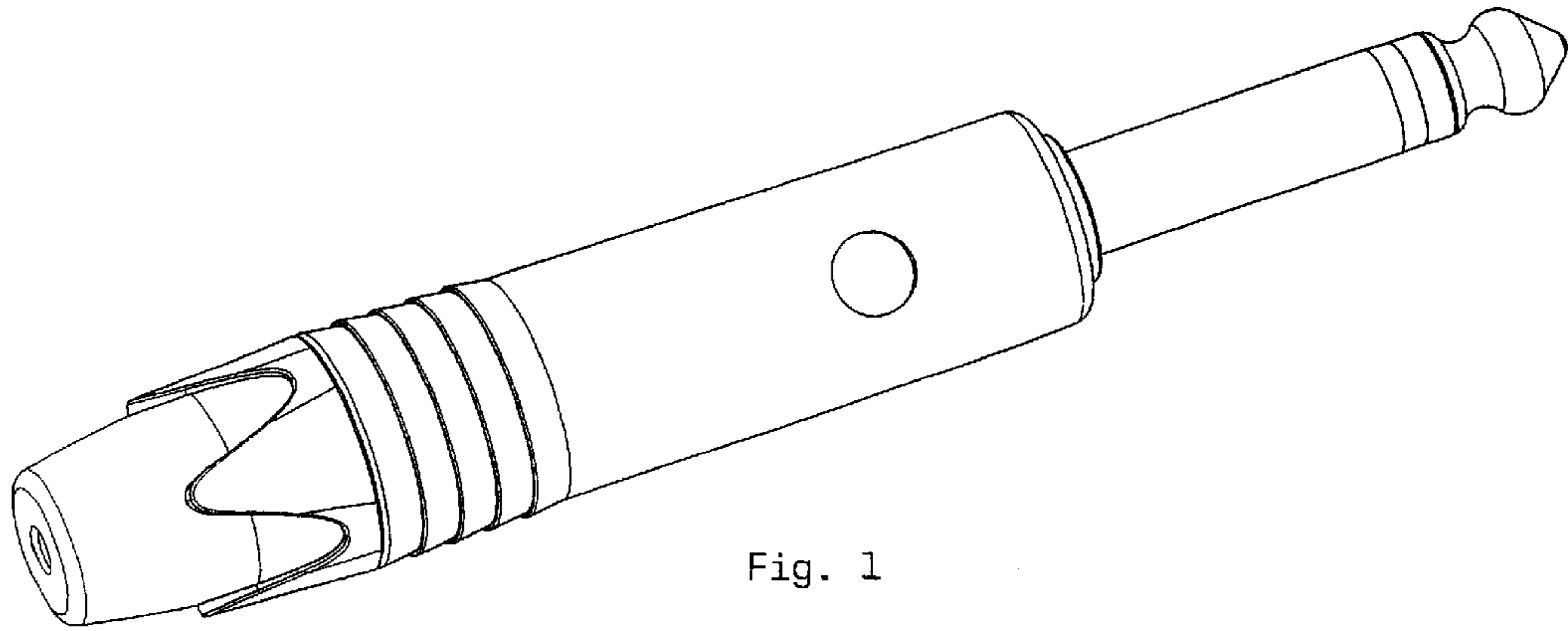


Fig. 1

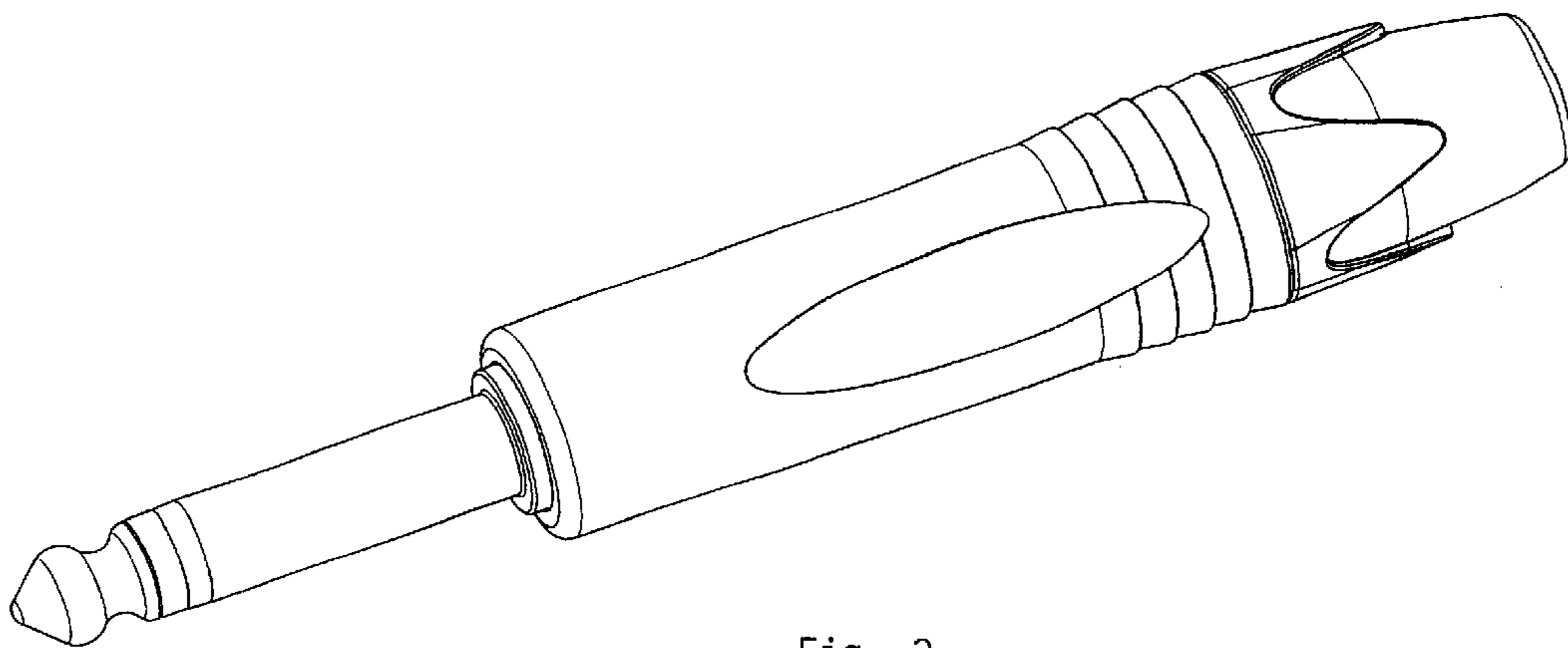


Fig. 2

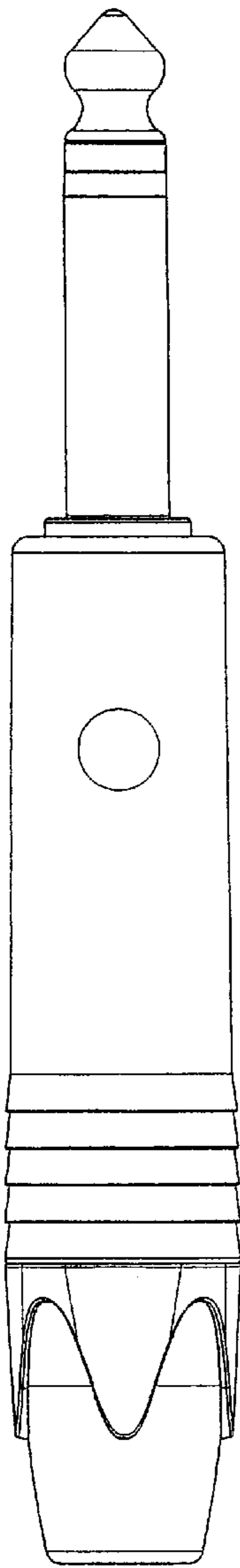


Fig. 3

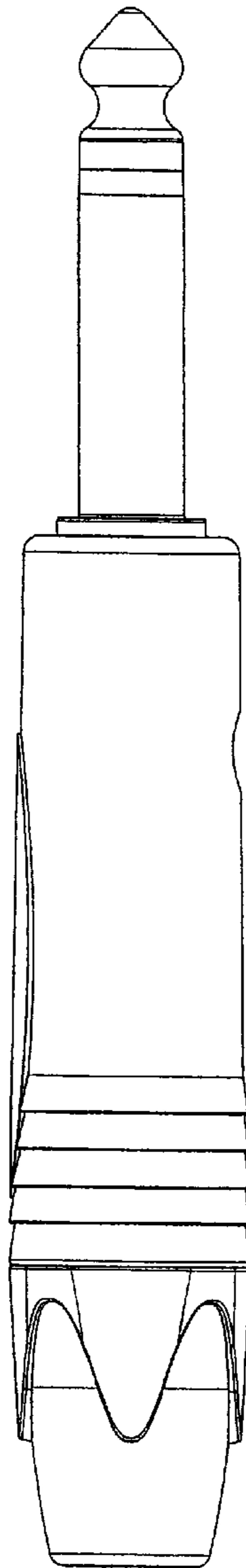


Fig. 4

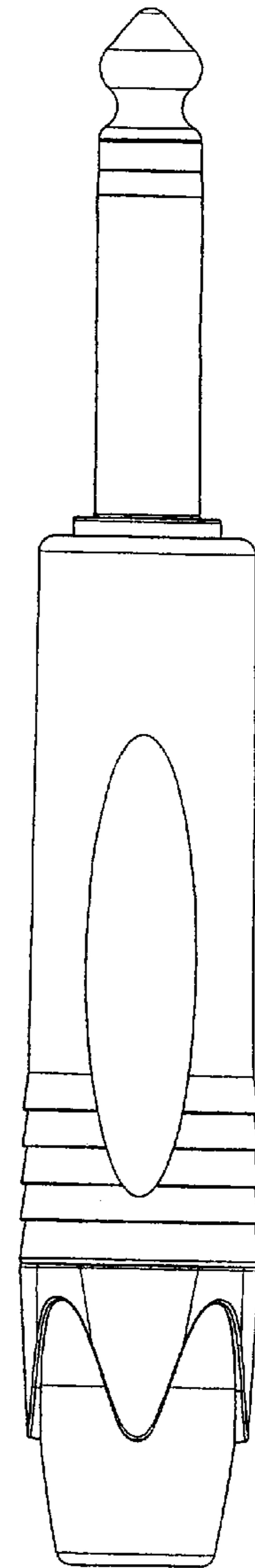


Fig. 5

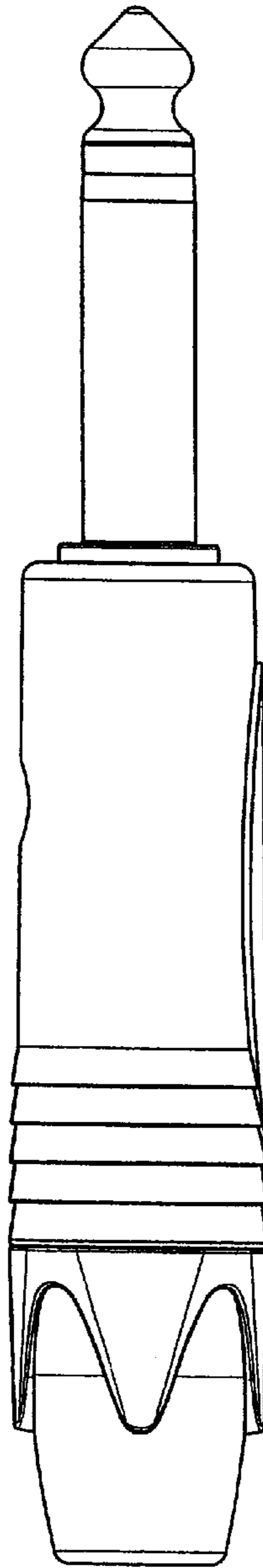


Fig. 6

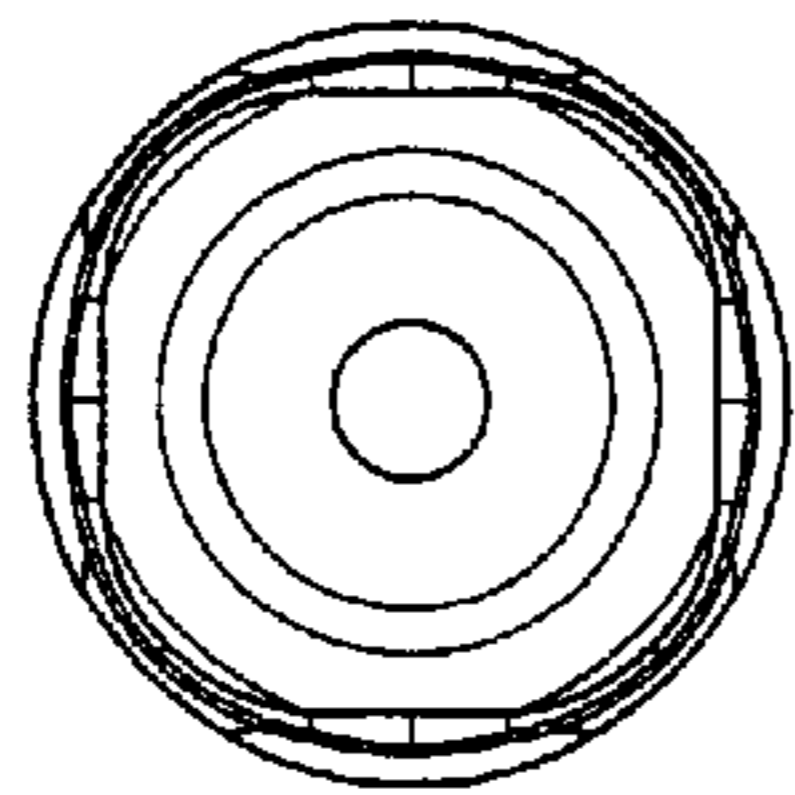


Fig. 7

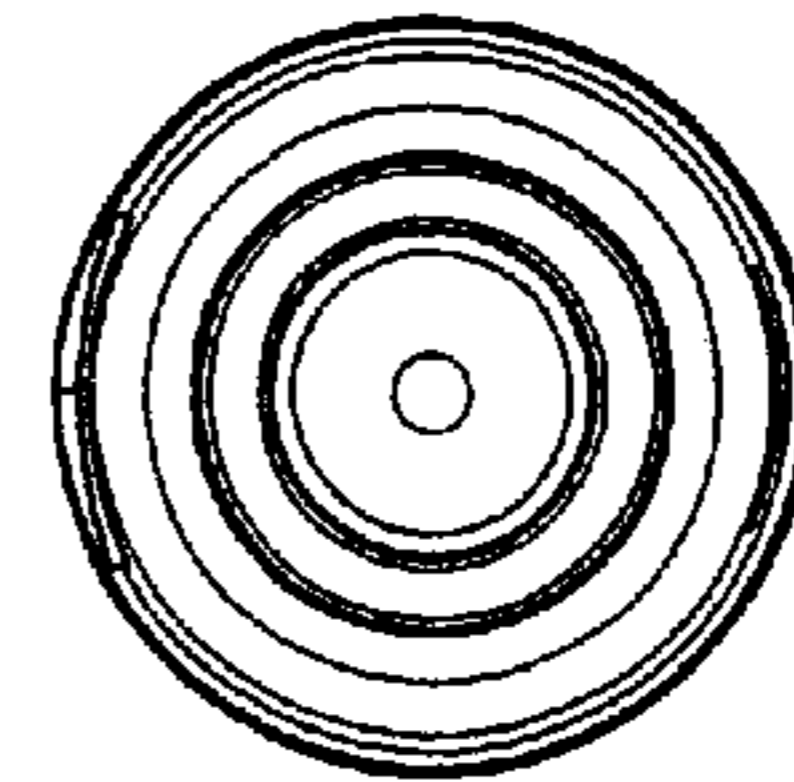


Fig. 8