

US00D508465S

(12) **United States Design Patent**
Montena

(10) **Patent No.:** **US D508,465 S**

(45) **Date of Patent:** **** Aug. 16, 2005**

(54) **CO-AXIAL CABLE CONNECTOR**

6,183,297 B1 * 2/2001 Kay et al. 439/578
D475,975 S * 6/2003 Fox D13/151

(75) **Inventor:** **Noah P. Montena**, Syracuse, NY (US)

(73) **Assignee:** **John Mezzalingua Associates, Inc.**,
East Syracuse, NY (US)

(**) **Term:** **14 Years**

(21) **Appl. No.:** **29/209,468**

(22) **Filed:** **Jul. 16, 2004**

(51) **LOC (8) Cl.** **13-03**

(52) **U.S. Cl.** **D13/154**

(58) **Field of Search** D13/146, 154,
D13/133; 439/578, 580, 583-585, 174,
175; D8/382

(56) **References Cited**

U.S. PATENT DOCUMENTS

3,104,145	A	*	9/1963	Somerset	439/584
3,292,136	A	*	12/1966	Somerset	439/584
3,297,979	A	*	1/1967	O'Keefe et al.	439/585
3,360,763	A	*	12/1967	Rongey et al.	439/97
3,390,374	A	*	6/1968	Forney, Jr.	439/585
3,590,481	A	*	7/1971	Felty et al.	29/828
D245,977	S	*	10/1977	Mouttet	D13/133
4,688,877	A	*	8/1987	Dreyer	439/584
5,624,278	A	*	4/1997	Kuroda et al.	439/675
5,879,190	A	*	3/1999	Maruyama et al.	439/582

OTHER PUBLICATIONS

Defender; Buyer's Guide; 2003, p. 208.*
Keithley; 2002 Test and Measurement Product Catalog; p.
269.*

* cited by examiner

Primary Examiner—Holly Baynham

Assistant Examiner—Cynthia M. Chin

(74) *Attorney, Agent, or Firm*—Schmeiser, Olsen & Watts

(57) **CLAIM**

The ornamental design for a co-axial cable connector, as
shown and described.

DESCRIPTION

FIG. 1 is a perspective view of a co-axial cable connector
showing my new design;

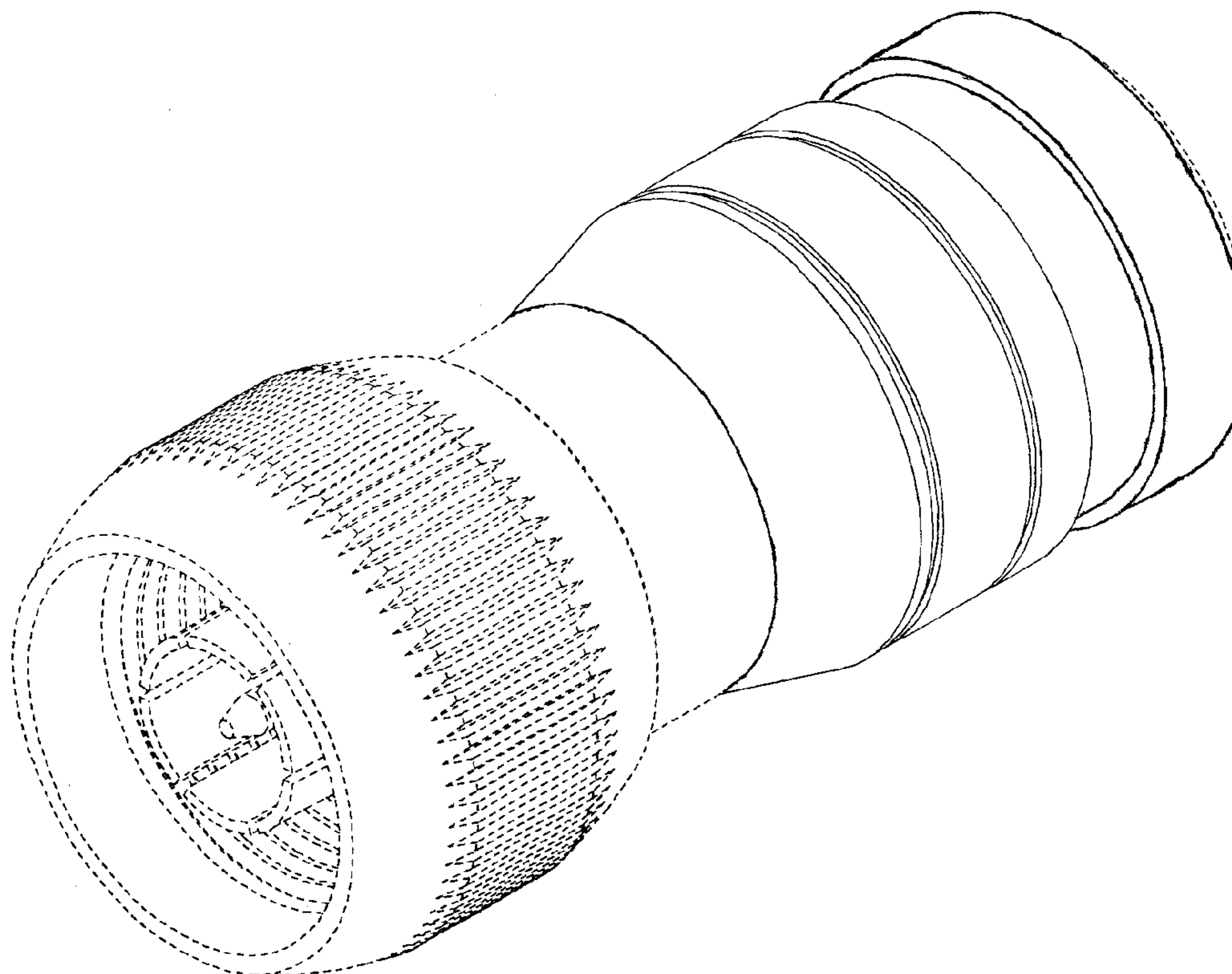
FIG. 2 is a side elevational view thereof, the other side, top
plan and bottom plan views being mirror images;

FIG. 3 is an end elevational view thereof, showing an end on
the left side of FIG. 1; and,

FIG. 4 is an end elevational view thereof, showing an end on
the right side of FIG. 1.

The broken lines depict enviromental structure and form no
part of the claimed design.

1 Claim, 4 Drawing Sheets



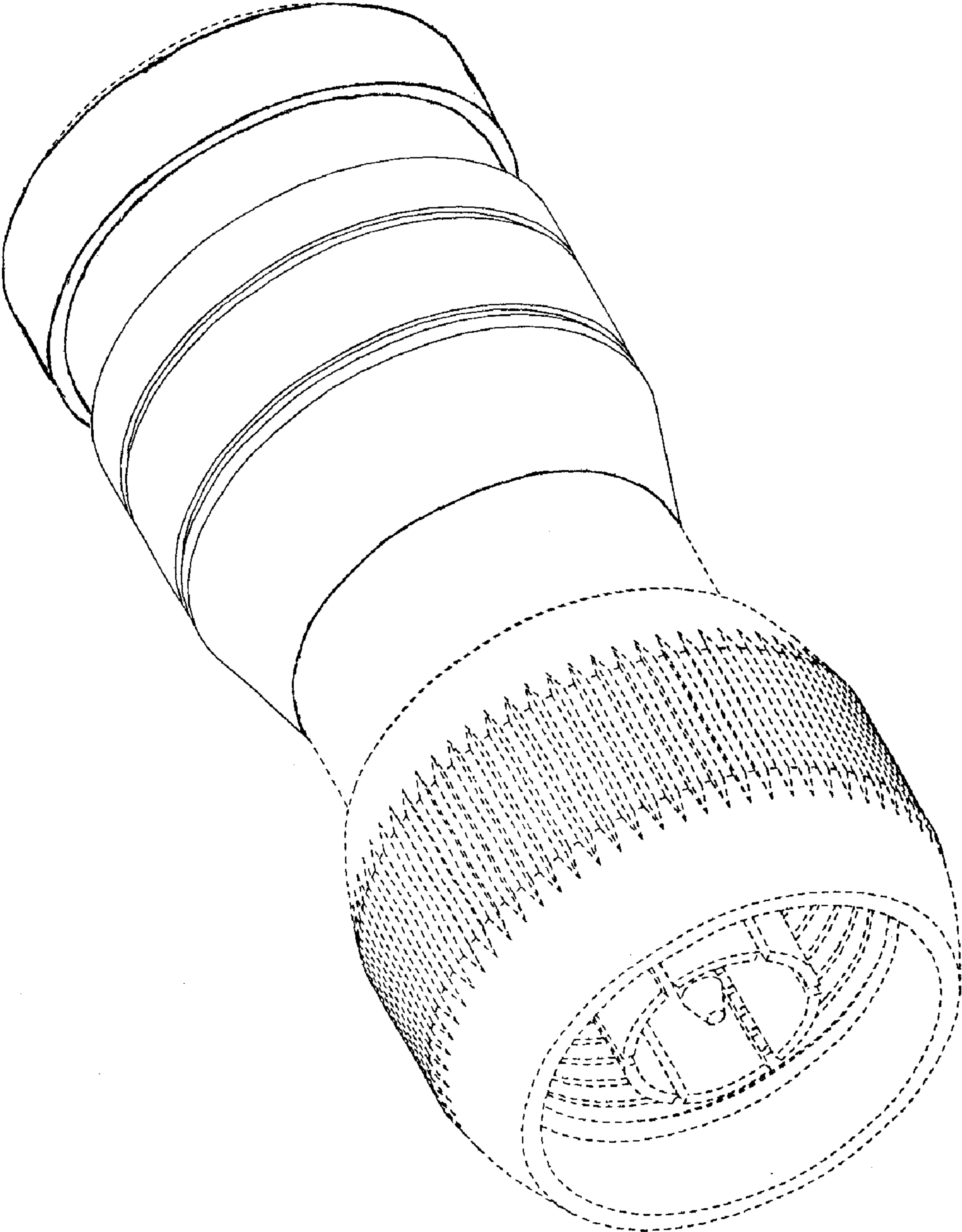


FIG. 1

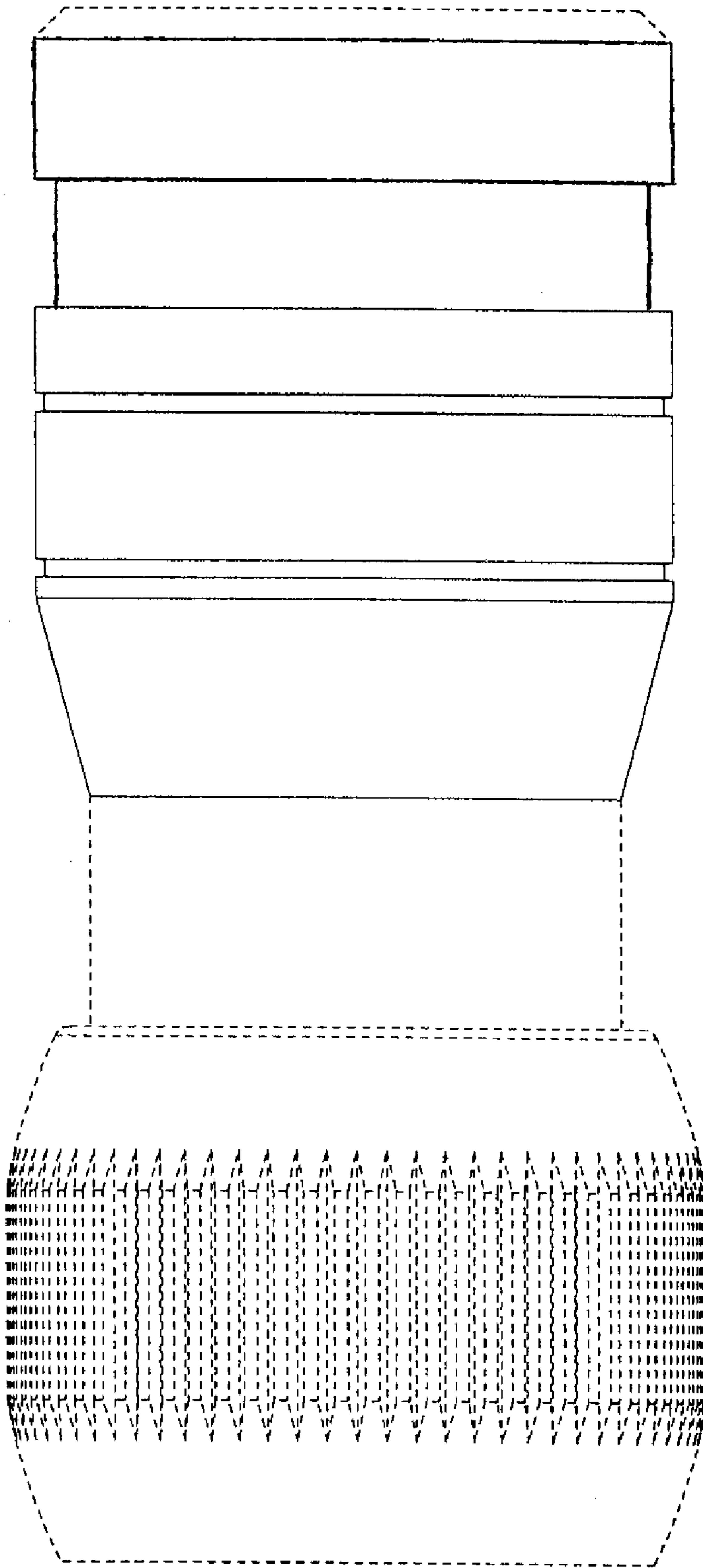


FIG. 2

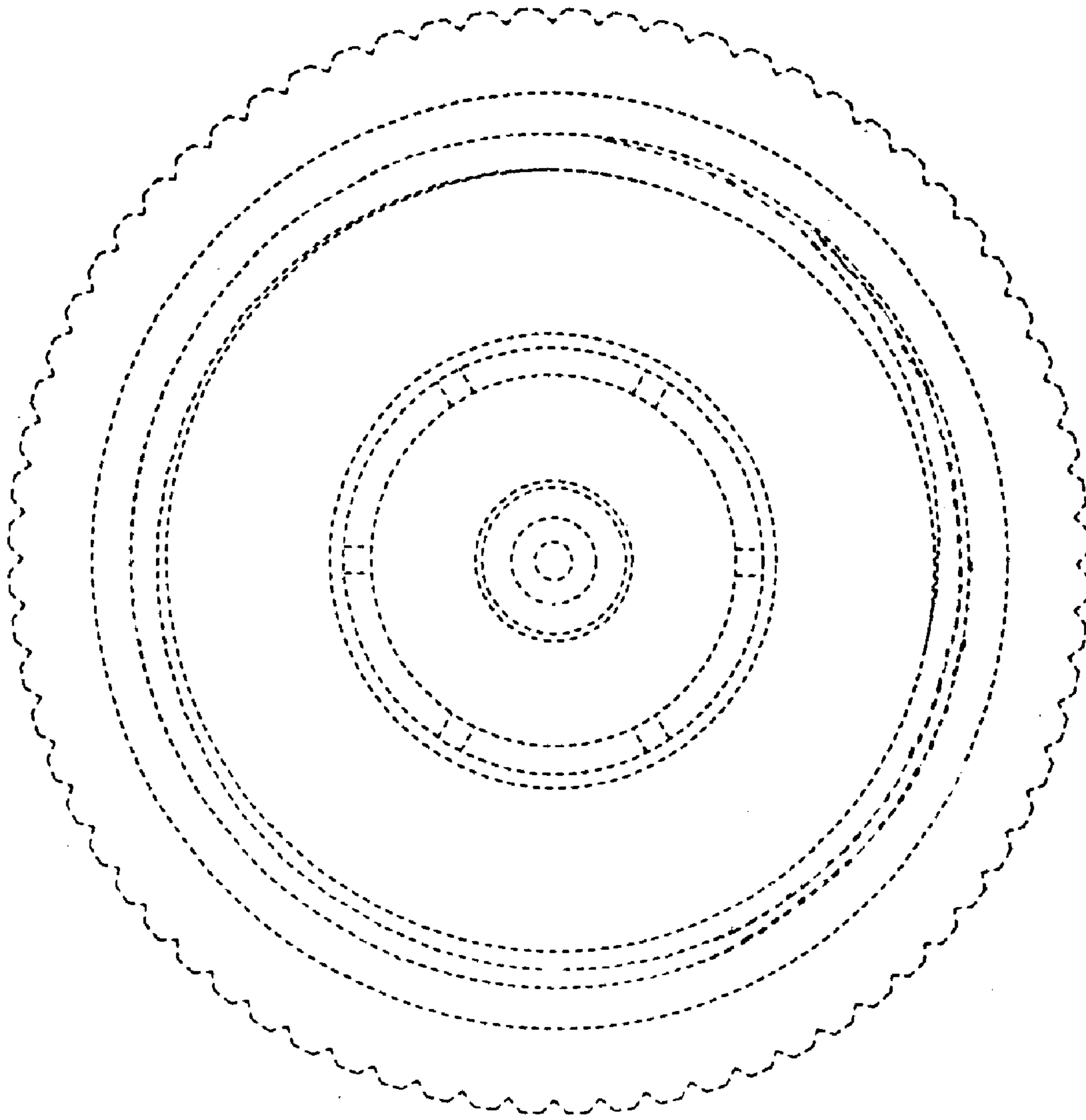


FIG. 3

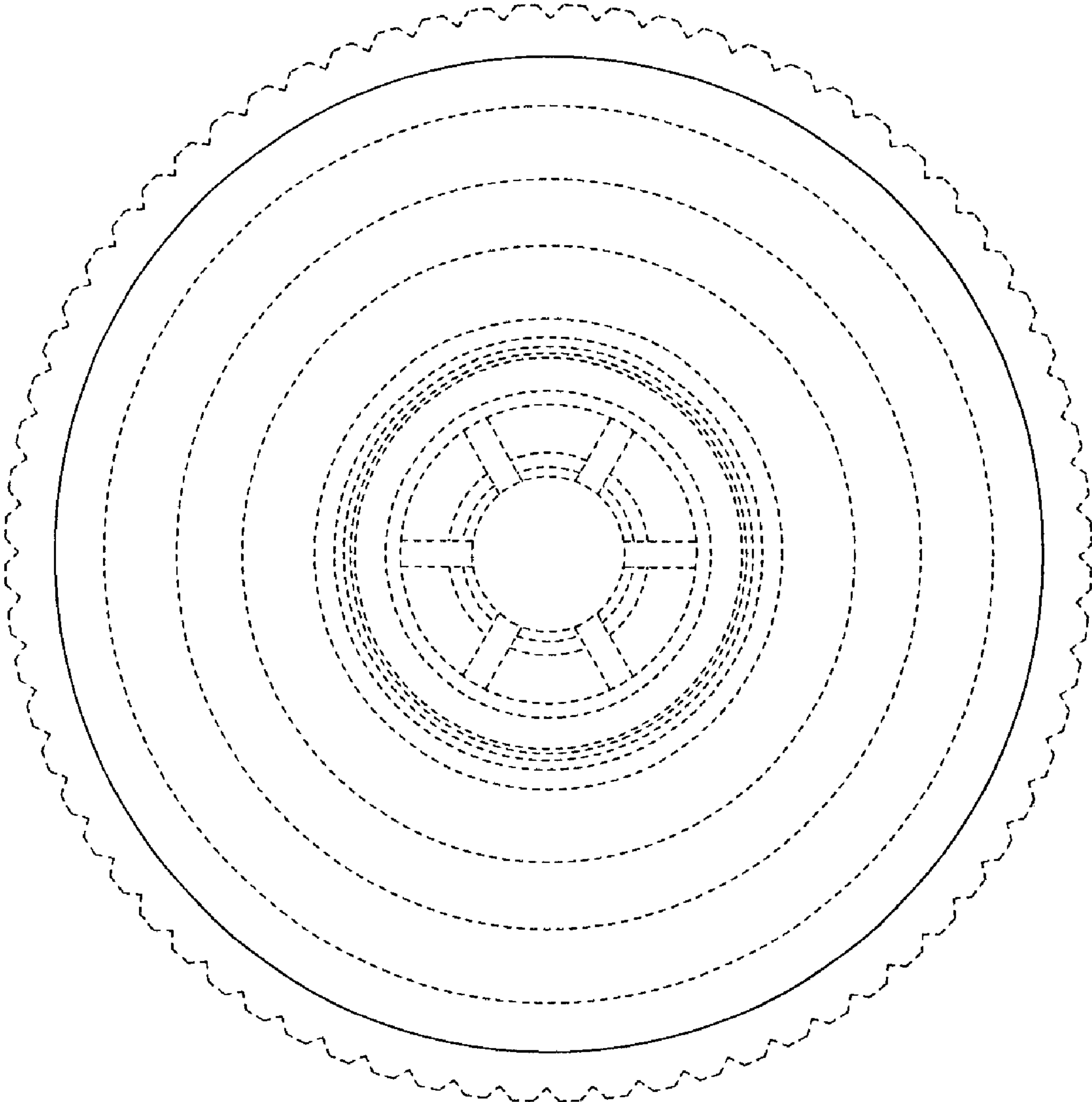


FIG. 4

UNITED STATES PATENT AND TRADEMARK OFFICE
CERTIFICATE OF CORRECTION

PATENT NO. : Des. 508,465 S
APPLICATION NO. : 29/209468
DATED : August 16, 2005
INVENTOR(S) : Montena

Page 1 of 2

It is certified that error appears in the above-identified patent and that said Letters Patent is hereby corrected as shown below:

Drawing Figure 1 issued in this patent is incorrect. The correct Drawing Figure 1 is shown below.

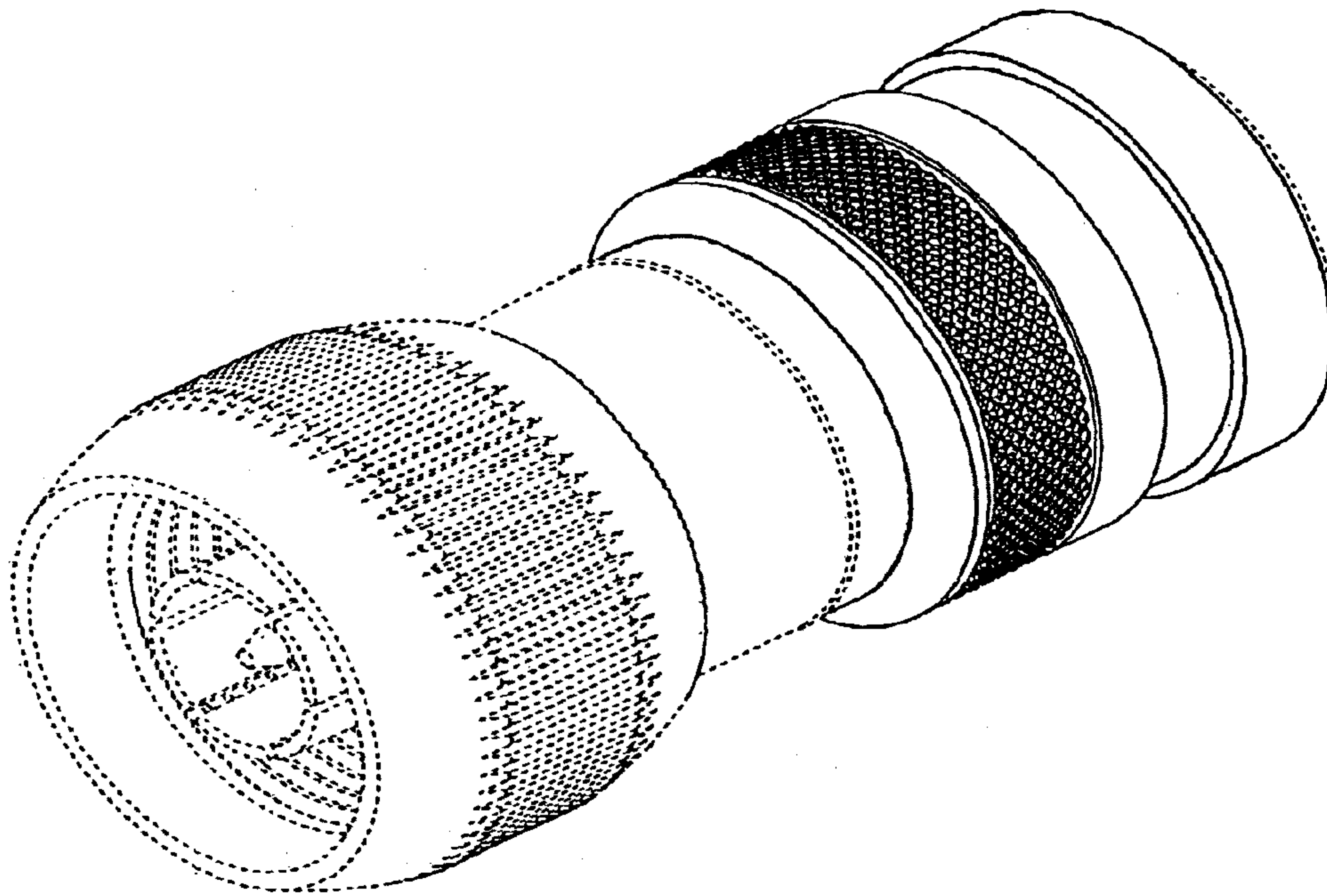


FIG. 1

UNITED STATES PATENT AND TRADEMARK OFFICE
CERTIFICATE OF CORRECTION

PATENT NO. : Des. 508,465 S
APPLICATION NO. : 29/209468
DATED : August 16, 2005
INVENTOR(S) : Montena

Page 2 of 2

It is certified that error appears in the above-identified patent and that said Letters Patent is hereby corrected as shown below:

Drawing Figure 2 issued in this patent is incorrect. The correct Drawing Figure 2 is shown below.

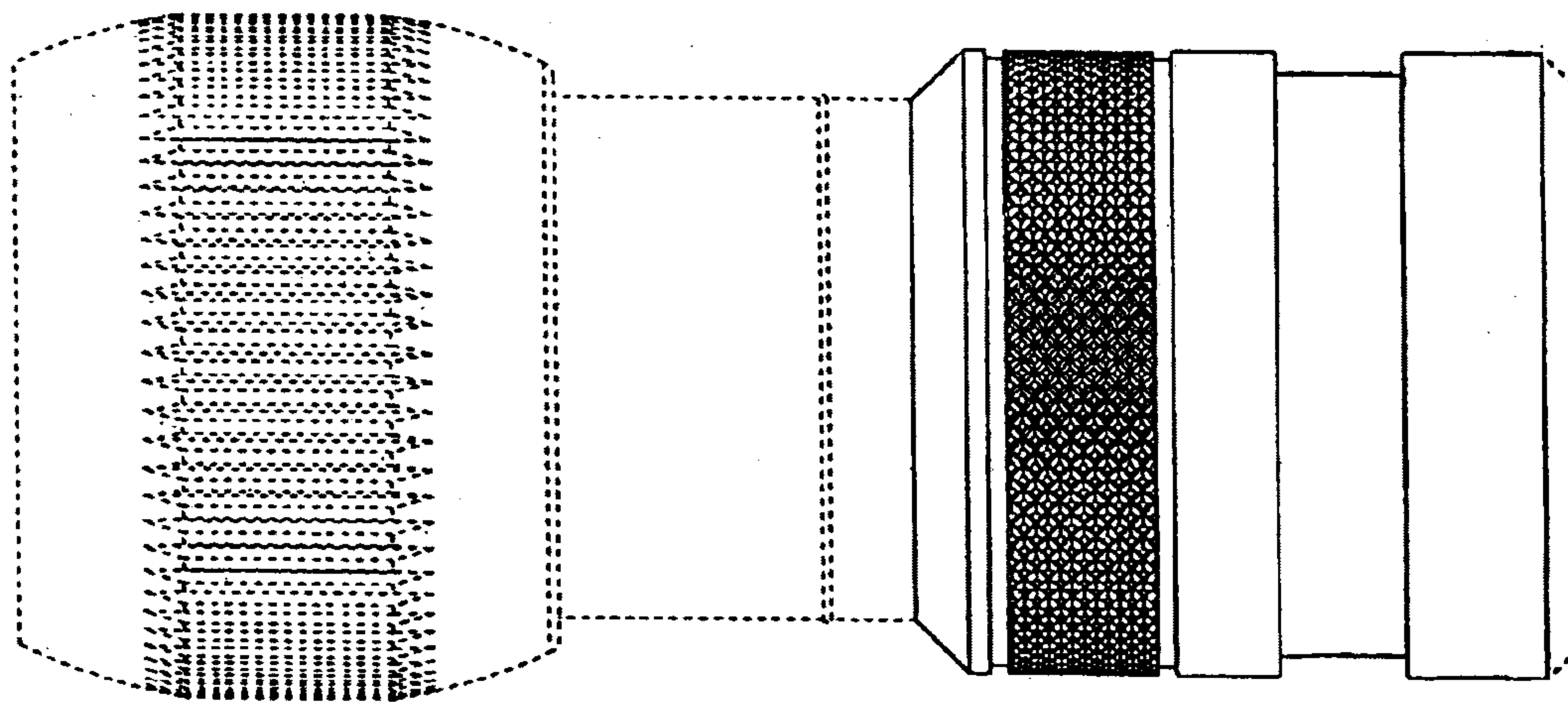


FIG. 2

Signed and Sealed this

Tenth Day of October, 2006

A handwritten signature in black ink, reading "Jon W. Dudas". The signature is written in a cursive style and is positioned above a dotted rectangular box.

JON W. DUDAS

Director of the United States Patent and Trademark Office