

US00D508464S

(12) **United States Design Patent**
Tanaka

(10) **Patent No.:** **US D508,464 S**

(45) **Date of Patent:** **** Aug. 16, 2005**

(54) **ELECTRICAL CONNECTOR**

(75) **Inventor:** **Yukitaka Tanaka**, Tachikawa (JP)

(73) **Assignee:** **Japan Aviation Electronics Industry, Ltd.**, Tokyo (JP)

(**) **Term:** **14 Years**

(21) **Appl. No.:** **29/194,091**

(22) **Filed:** **Nov. 20, 2003**

(51) **LOC (8) Cl.** **13-03**

(52) **U.S. Cl.** **D13/147**

(58) **Field of Search** D13/146, 147;
439/108, 607-610, 677-681, 540.1, 541.5,
632, 638, 639

(56) **References Cited**

U.S. PATENT DOCUMENTS

5,580,283	A	*	12/1996	O'Sullivan et al.	439/686
D420,979	S	*	2/2000	Chang	D13/146
6,299,482	B1	*	10/2001	Huang	439/607
D453,738	S	*	2/2002	Shao et al.	D13/147
D454,336	S	*	3/2002	Manchester et al.	D13/147
6,561,847	B1	*	5/2003	Xiang et al.	439/541.5

D478,552 S * 8/2003 Zhang et al. D13/147

* cited by examiner

Primary Examiner—Philip S. Hyder

Assistant Examiner—Selina Sikder

(74) *Attorney, Agent, or Firm*—Baker Botts L.L.P.

(57) **CLAIM**

The ornamental design for an electrical connector, as shown and described.

DESCRIPTION

FIG. 1 is a front, top, and right side perspective view of an electrical connector;

FIG. 2 is a rear, bottom, and right side perspective view thereof;

FIG. 3 is a front elevational view thereof;

FIG. 4 is a top plan view thereof;

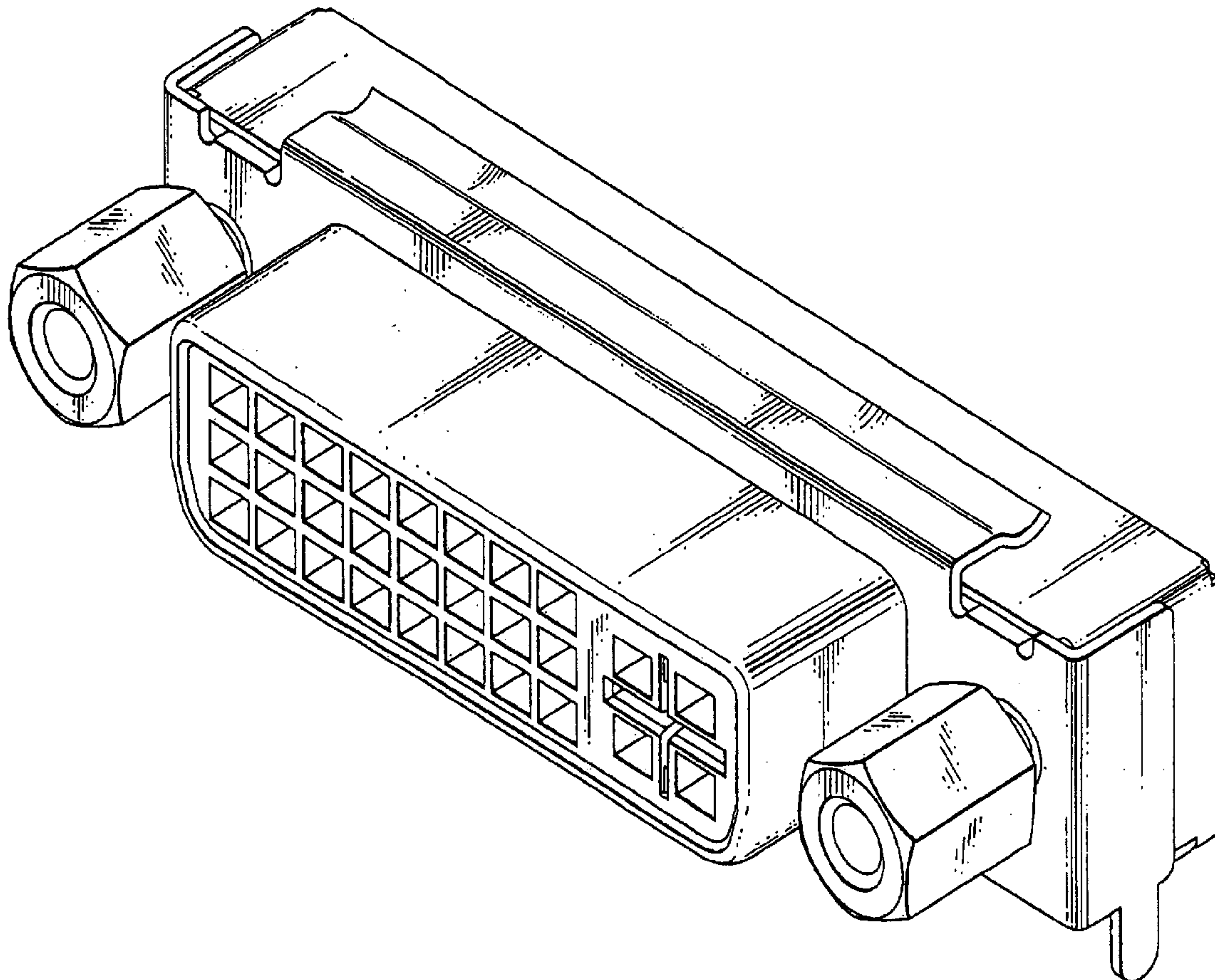
FIG. 5 is a bottom plan view thereof;

FIG. 6 is a rear elevational view thereof; and,

FIG. 7 is a right side elevational view thereof.

A left side elevational view of the electrical connector is omitted because it is presented symmetrical to the right side elevational view of FIG. 7.

1 Claim, 7 Drawing Sheets



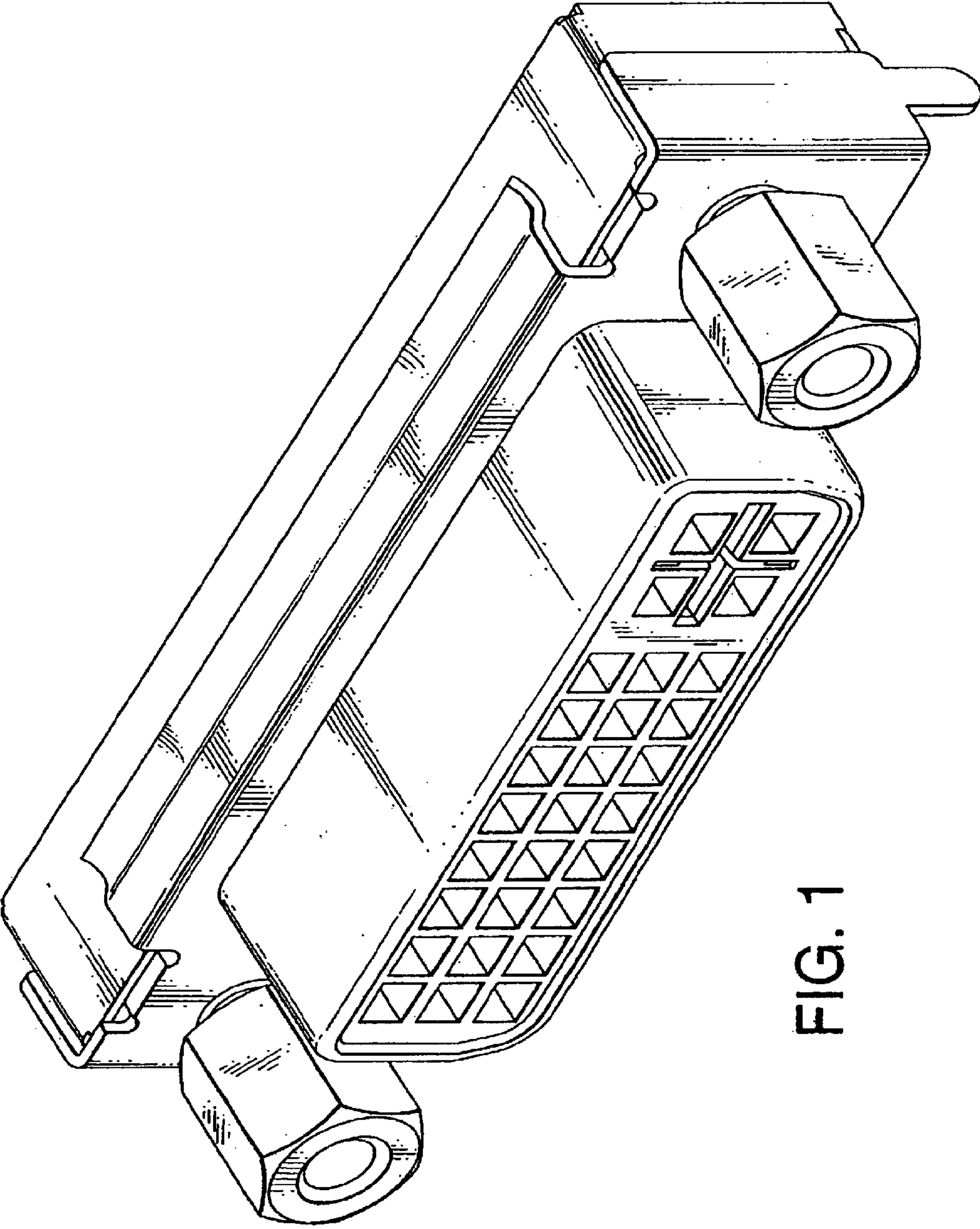


FIG. 1

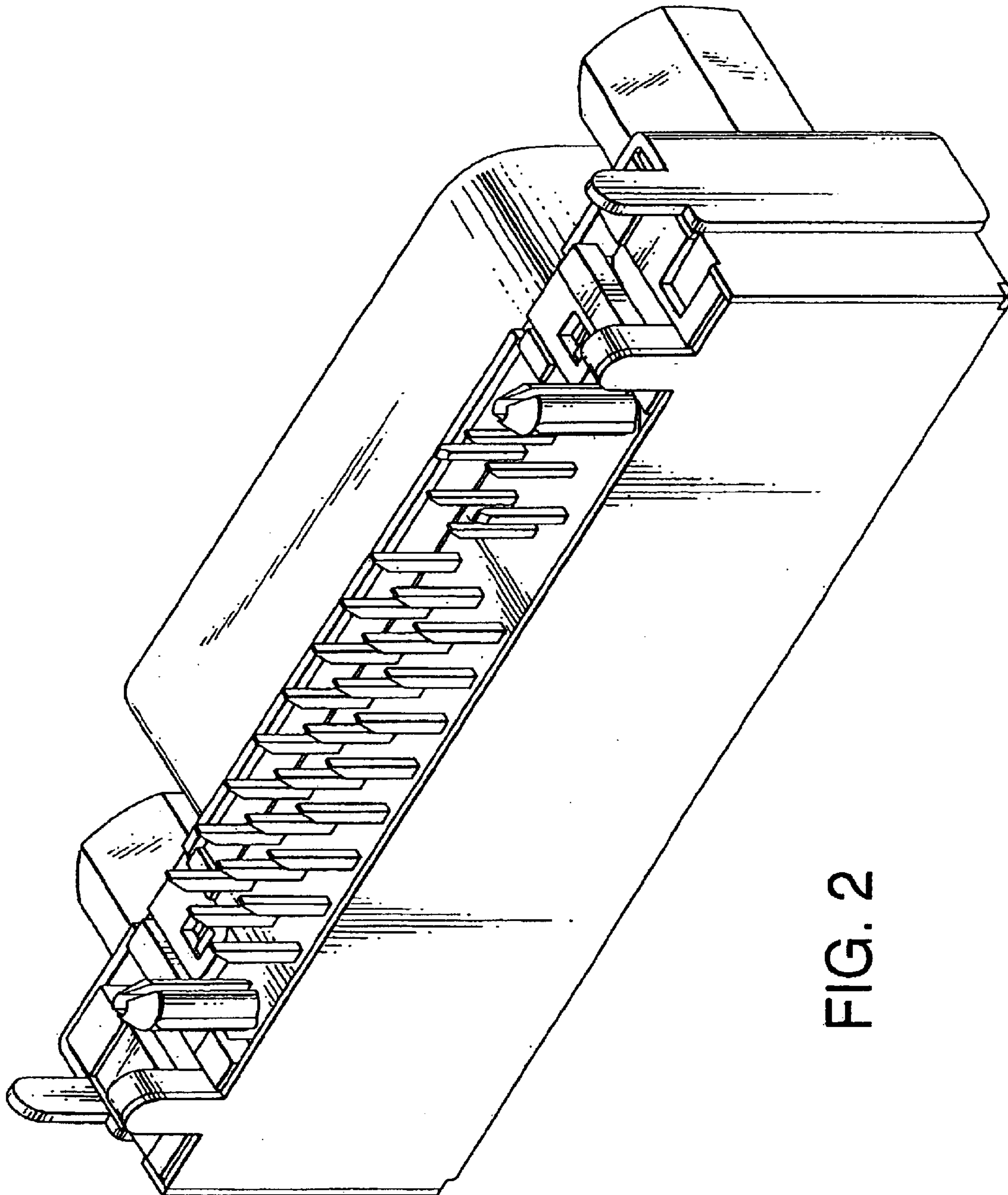


FIG. 2

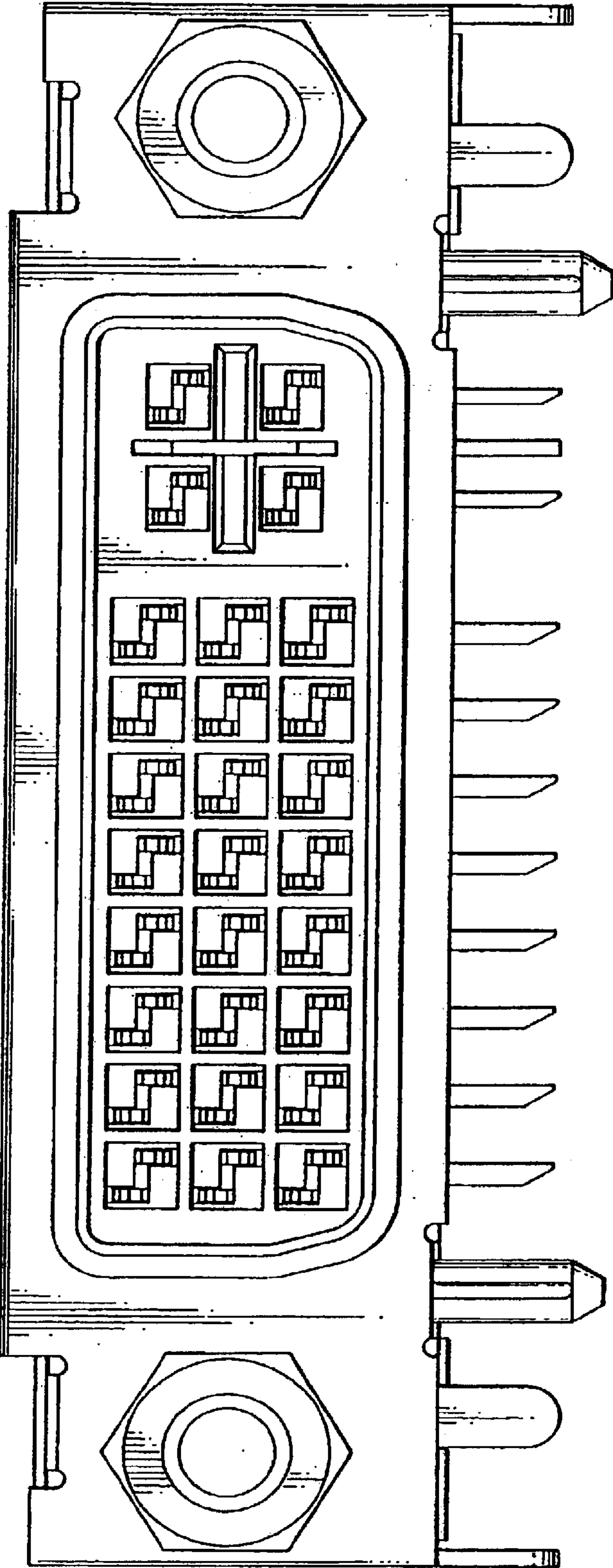


FIG. 3

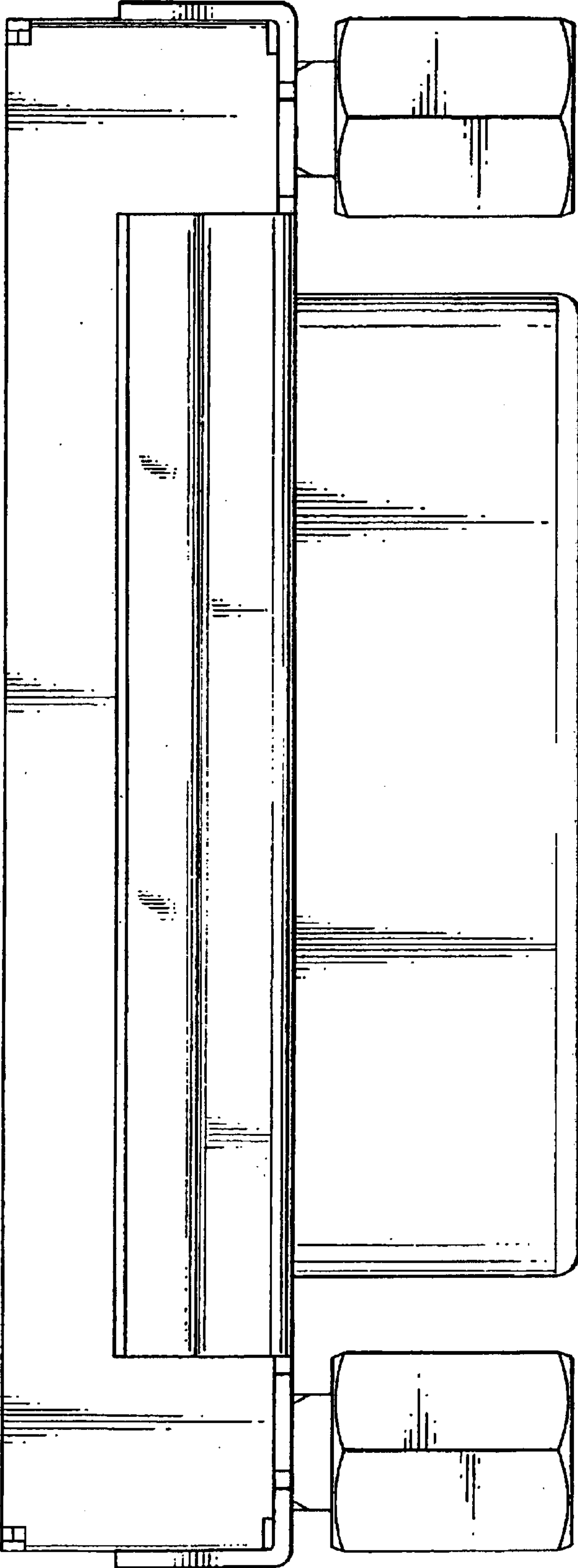


FIG. 4

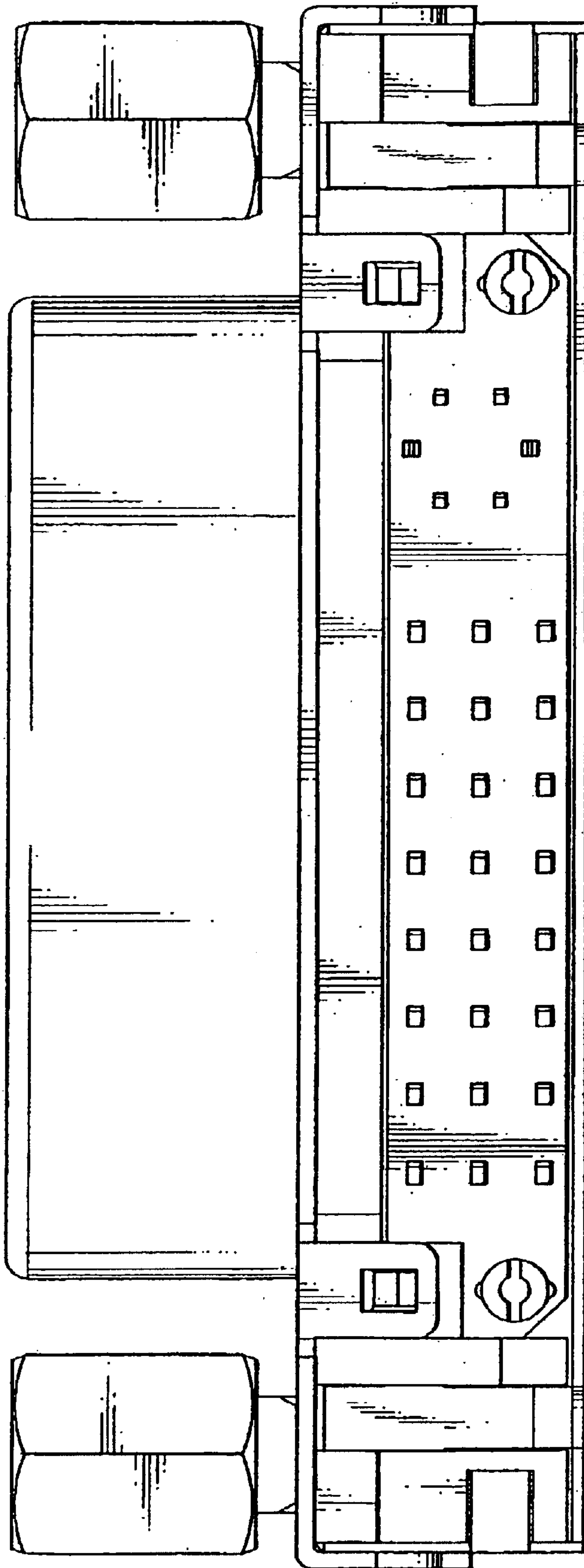


FIG. 5

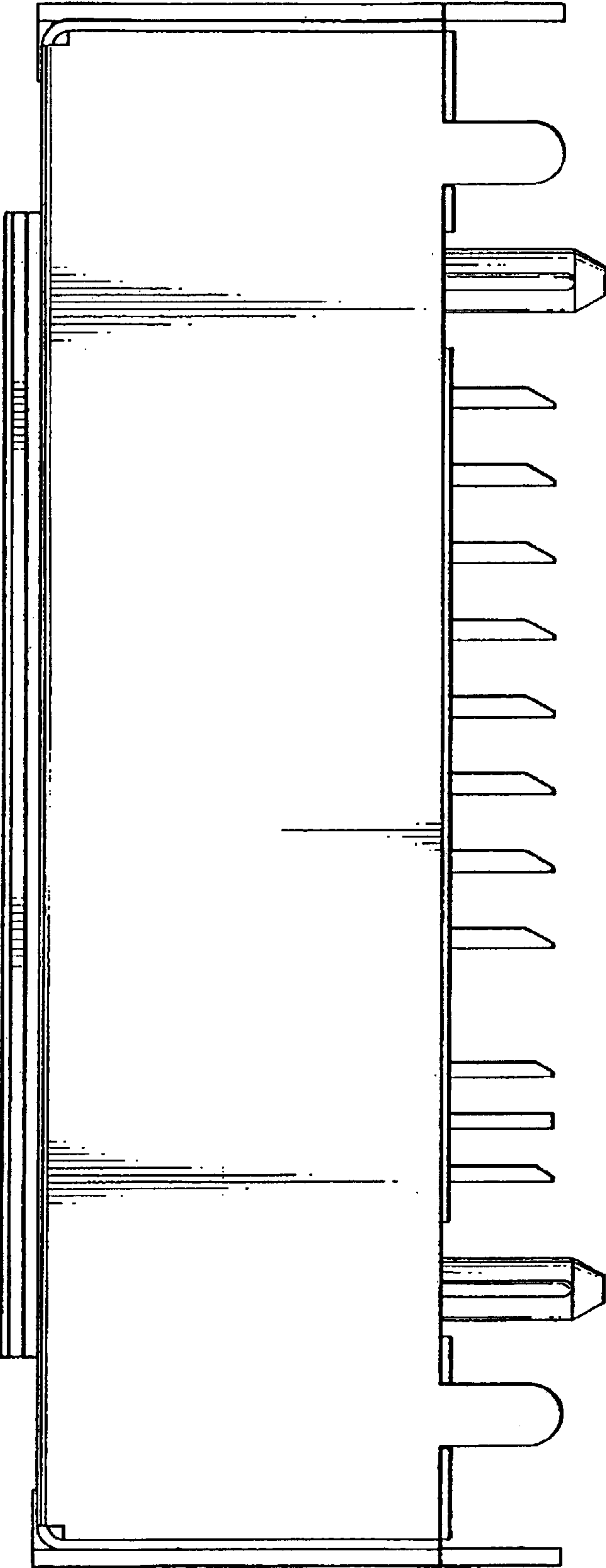


FIG. 6

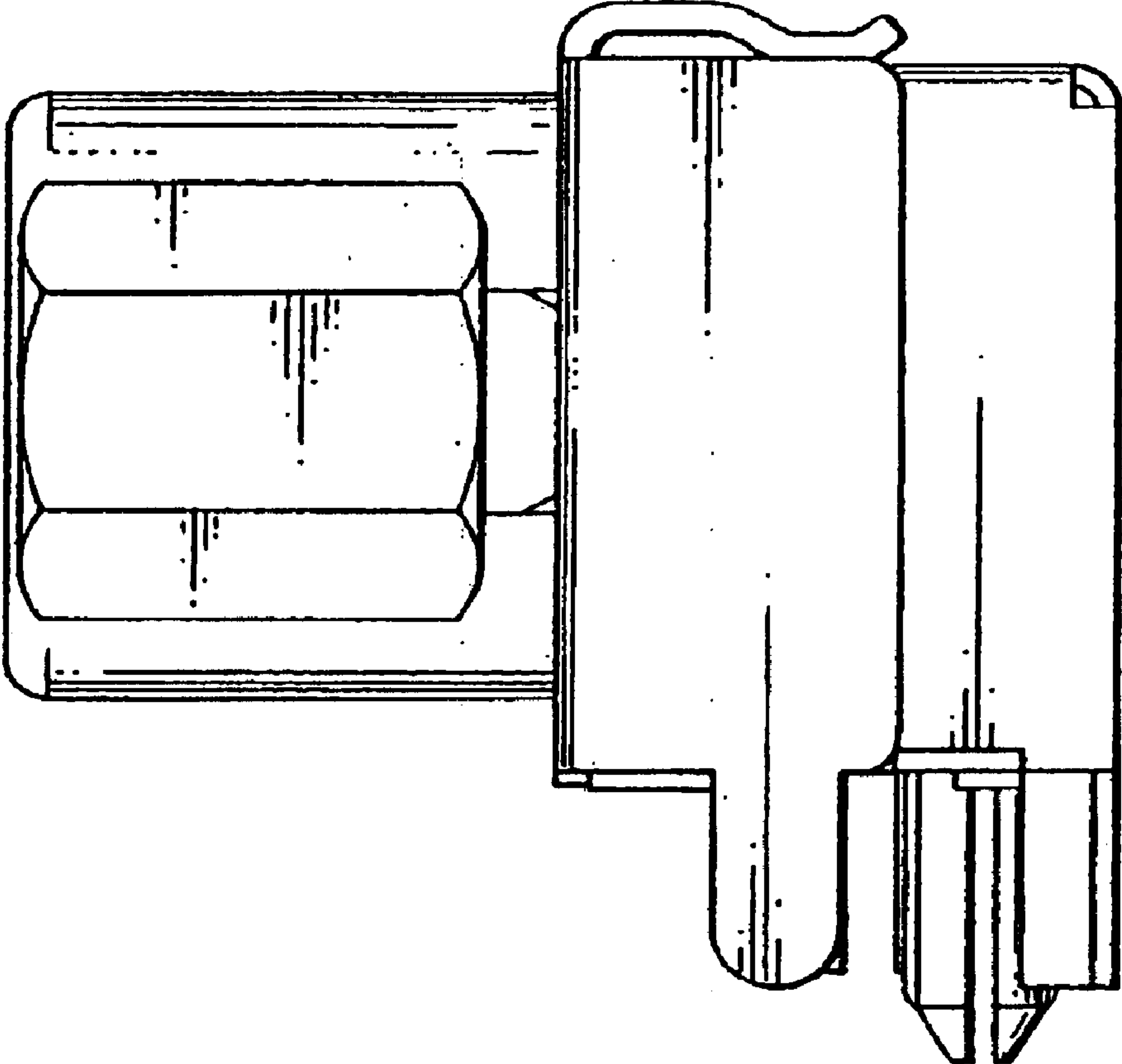


FIG. 7