

US00D508463S

(12) **United States Design Patent** (10) **Patent No.:** **US D508,463 S**  
**Matsukawa et al.** (45) **Date of Patent:** **\*\* Aug. 16, 2005**

(54) **POWER POINT**

(75) Inventors: **Kazushi Matsukawa, Mie (JP); Masaru Yoshida, Mie (JP); Masuo Kitamura, Tsu (JP)**

(73) Assignee: **Matsushita Electric Works, Ltd., Osaka (JP)**

(\*\*) Term: **14 Years**

(21) Appl. No.: **29/200,186**

(22) Filed: **Feb. 24, 2004**

(30) **Foreign Application Priority Data**

Dec. 17, 2003 (JP) ..... 2003-037166

(51) **LOC (8) Cl.** ..... **13-03**

(52) **U.S. Cl.** ..... **D13/146; D13/110**

(58) **Field of Search** ..... D13/110, 118, D13/123, 133, 126, 146, 156, 139.1-0.2; D12/400; 439/180, 246, 259, 279; 220/241-242; 174/66-67, 48

(56) **References Cited**

**U.S. PATENT DOCUMENTS**

- D366,453 S \* 1/1996 Boesel et al. .... D13/137.2
- D379,970 S \* 6/1997 Chambers et al. .... D13/156
- D395,283 S \* 6/1998 Monaco et al. .... D13/156
- D407,066 S \* 3/1999 Renk ..... D13/110
- D418,114 S \* 12/1999 Hayduke et al. .... D13/156
- D454,113 S \* 3/2002 Ikeda et al. .... D13/133

- D473,847 S \* 4/2003 Nakayama ..... D13/146
- D479,197 S \* 9/2003 Zhang et al. .... D13/146
- D485,805 S \* 1/2004 Ho ..... D13/110
- D498,461 S \* 11/2004 Andrus et al. .... D13/110

\* cited by examiner

*Primary Examiner*—Stacia Cadmus

(74) *Attorney, Agent, or Firm*—J.C. Patents

(57) **CLAIM**

The ornamental design for an power point, as shown and described.

**DESCRIPTION**

FIG. 1 is a perspective view of an power point showing the new design.

FIG. 2 is a front elevational view thereof.

FIG. 3 is a rear elevational view thereof.

FIG. 4 is a left side elevational view thereof.

FIG. 5 is a right side elevational view thereof.

FIG. 6 is a top plan view thereof.

FIG. 7 is a bottom plan view thereof.

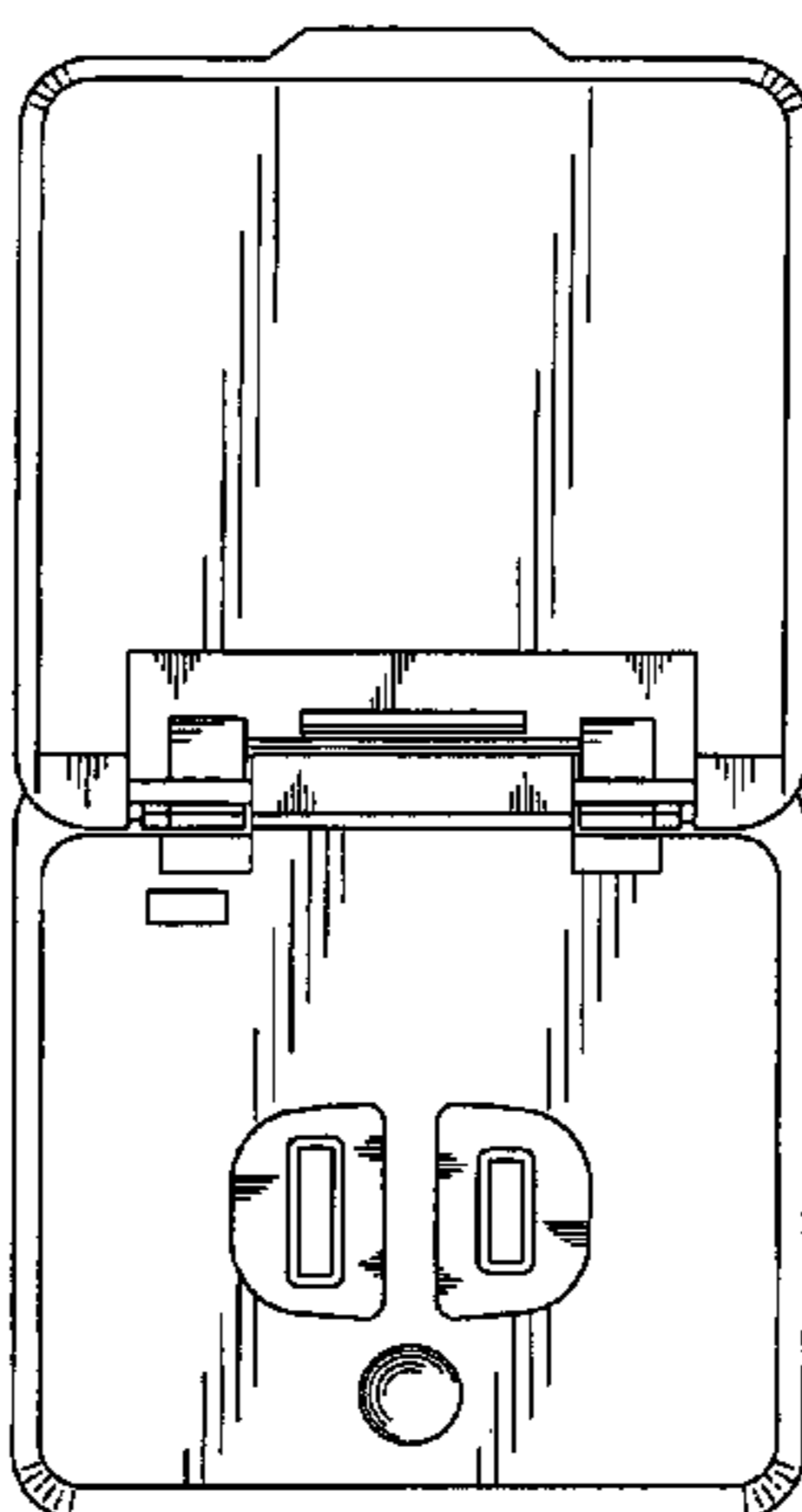
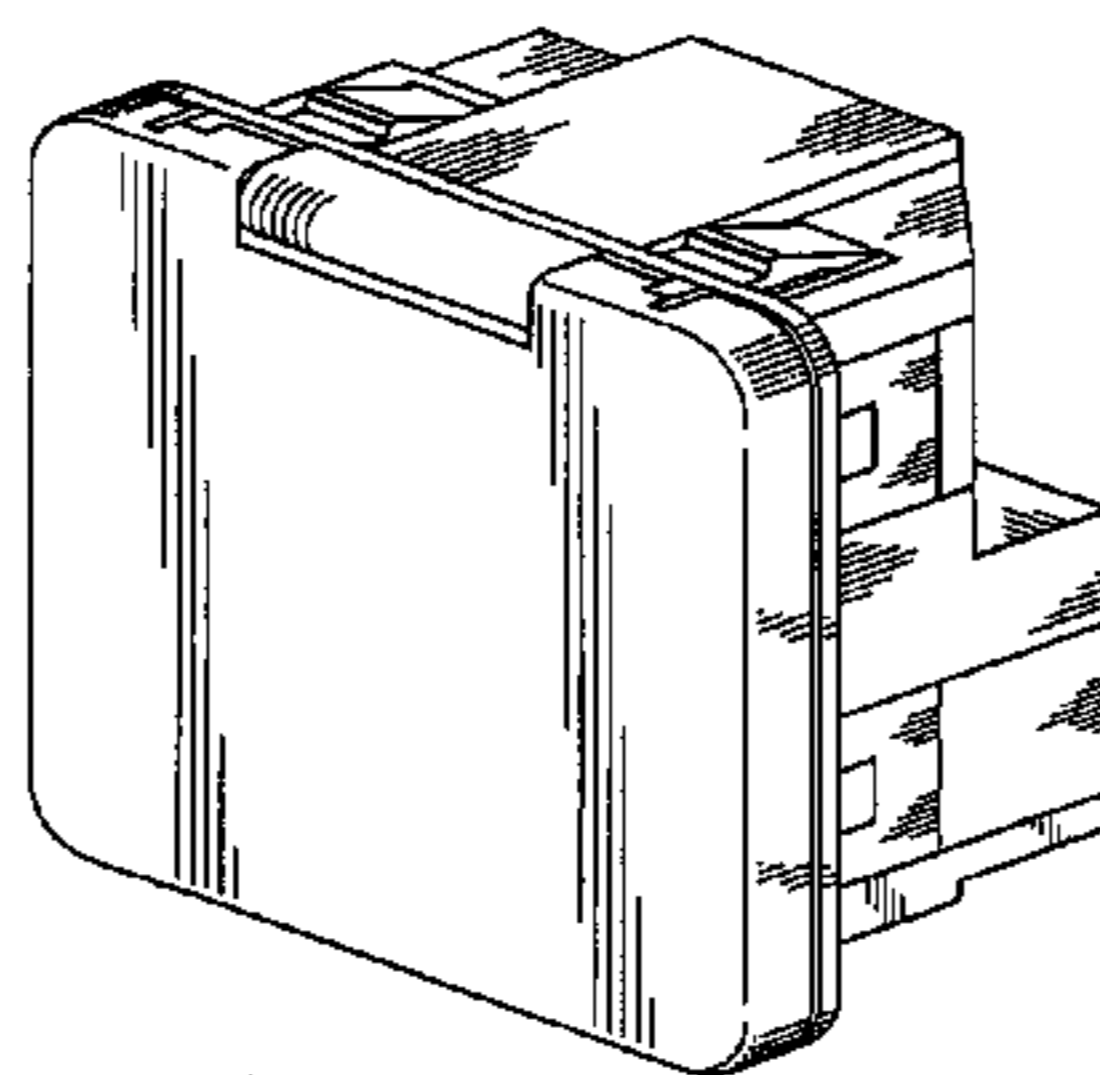
FIG. 8 is a cross-sectional view taken along line 8—8 in FIG. 2 with the internal parts omitted.

FIG. 9 is a cross-sectional view taken along line 9—9 in FIG. 3 with the internal parts omitted.

FIG. 10 is a front elevational view thereof with the cover opened; and,

FIG. 11 is a right side elevational view thereof with the cover opened.

**1 Claim, 7 Drawing Sheets**



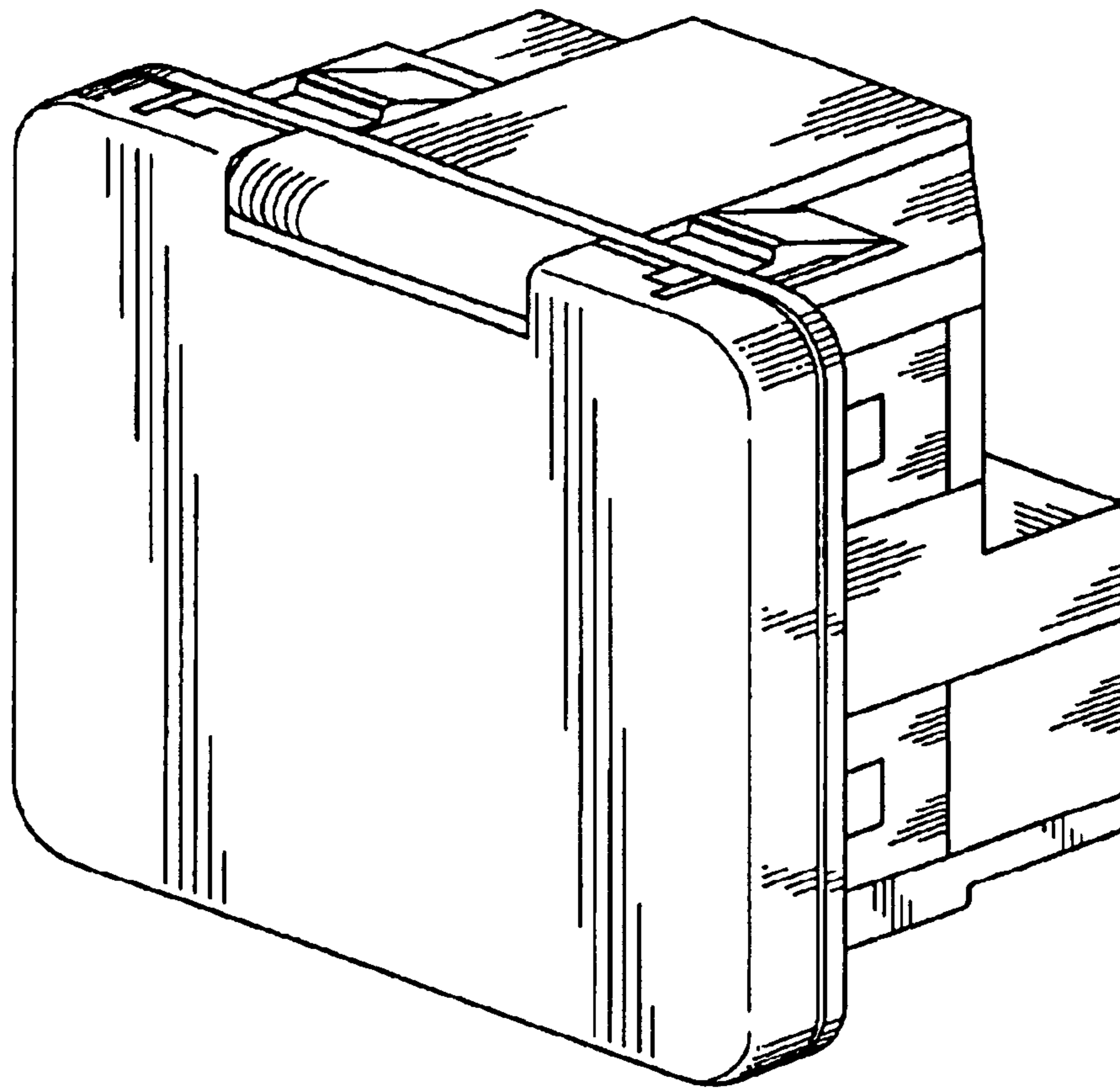


FIG. 1

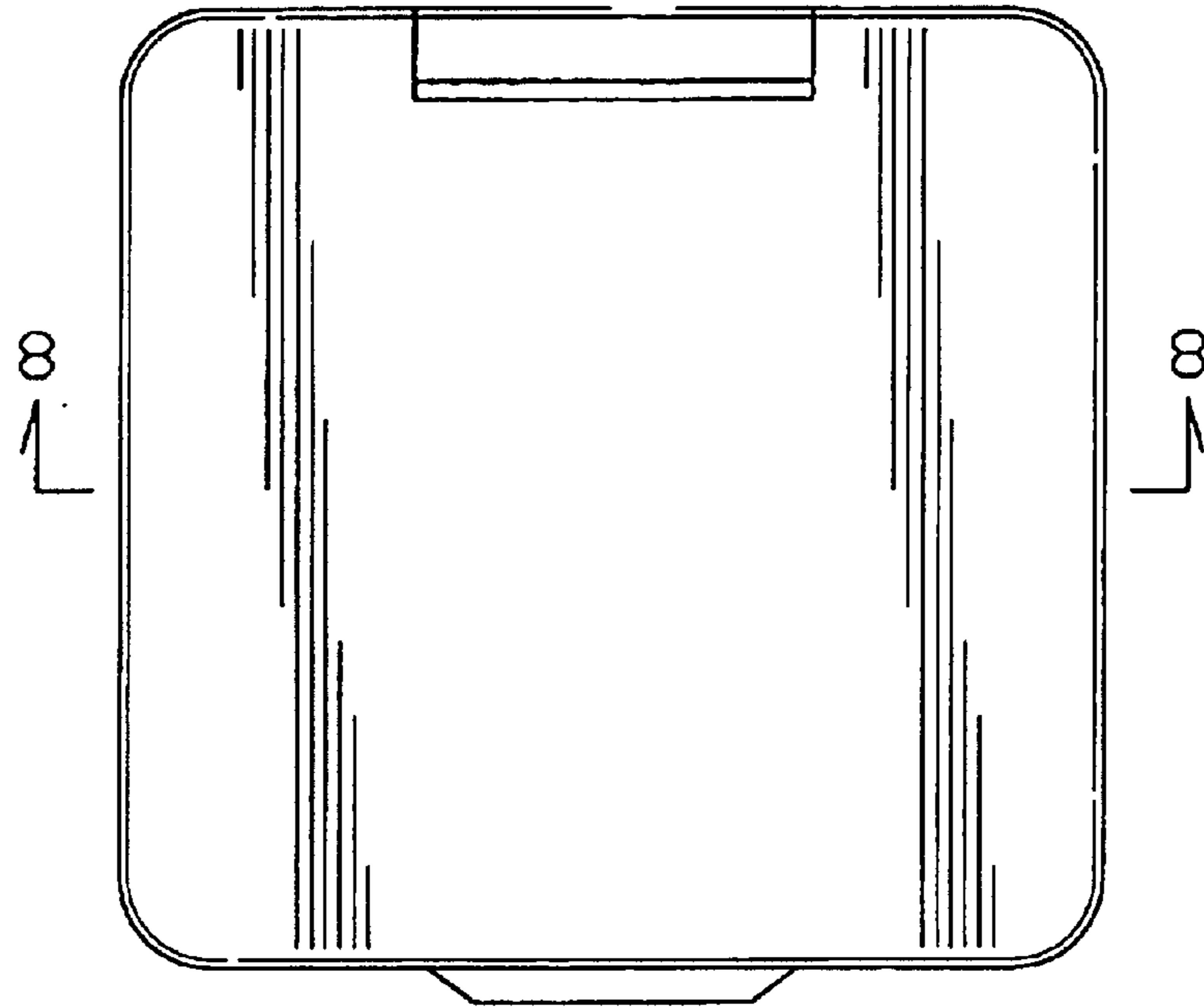


FIG. 2

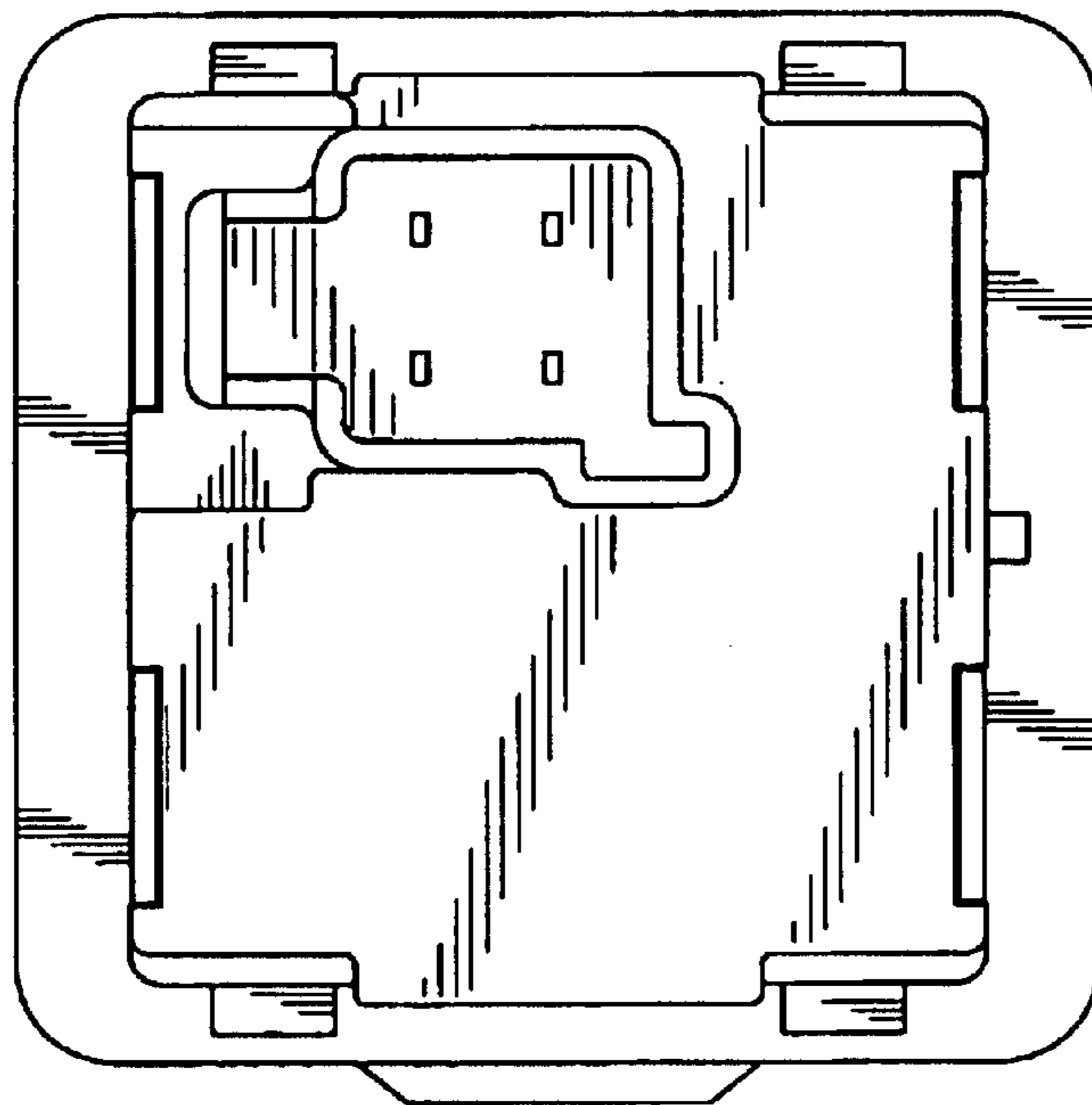


FIG. 3

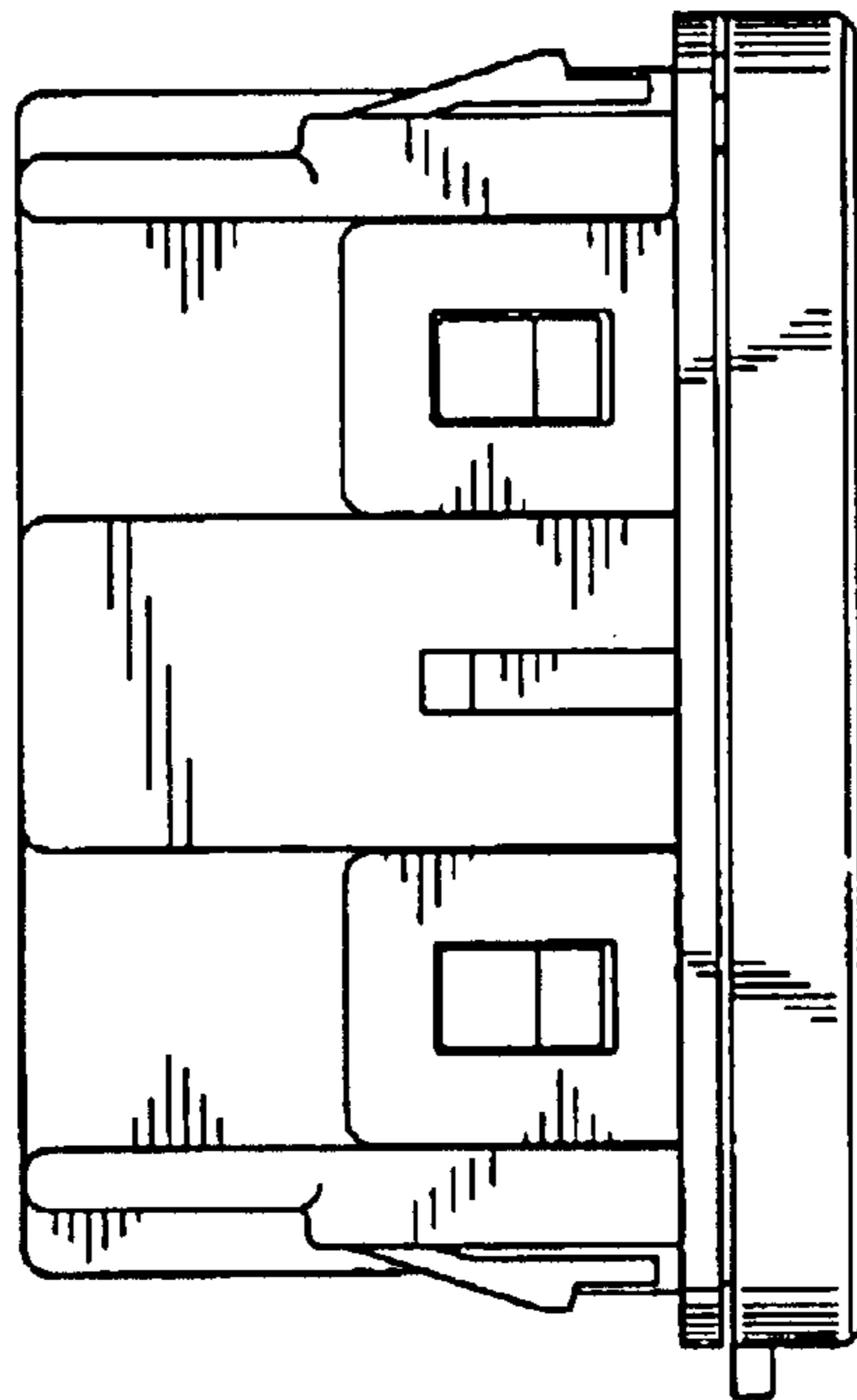


FIG. 4

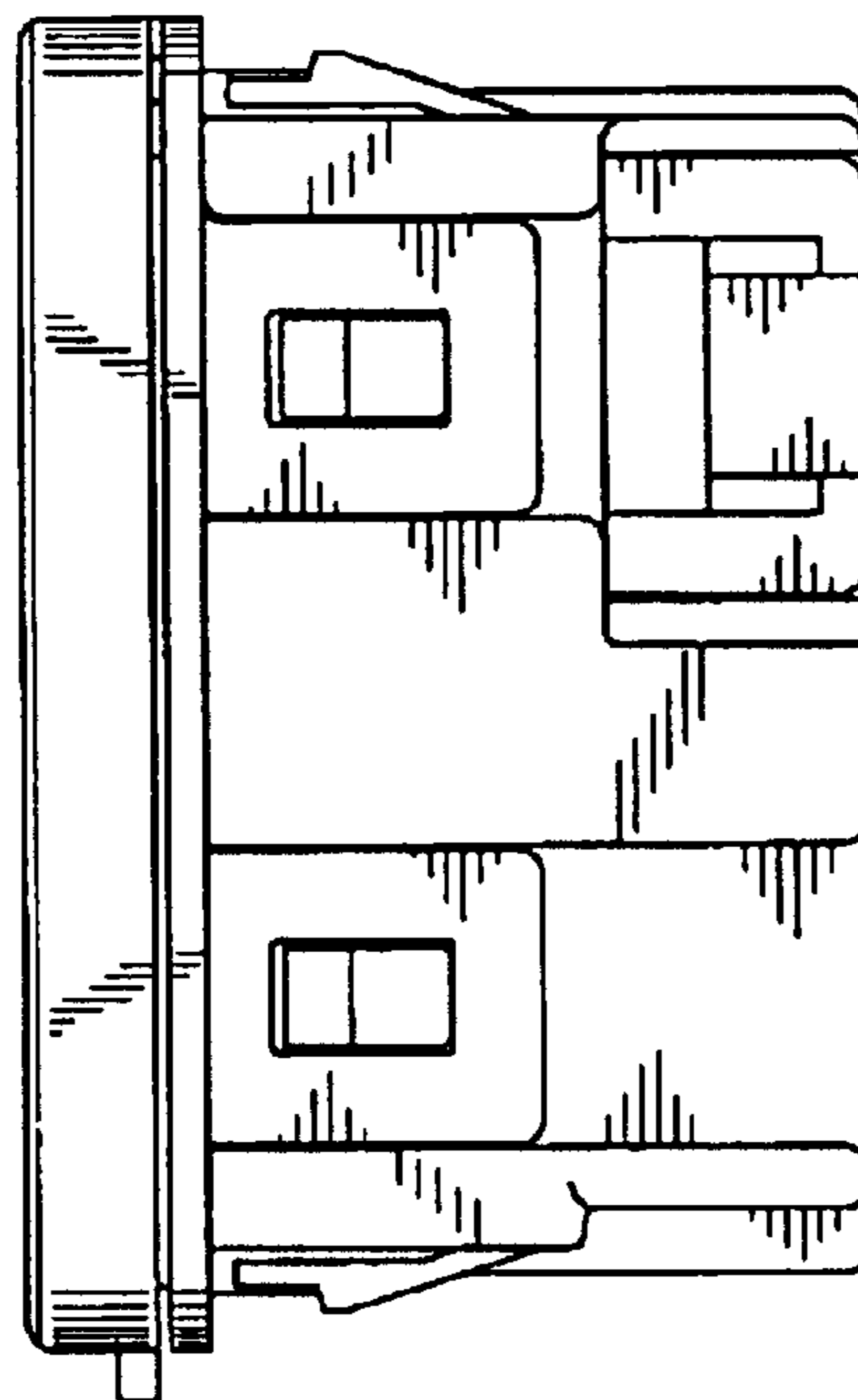


FIG. 5

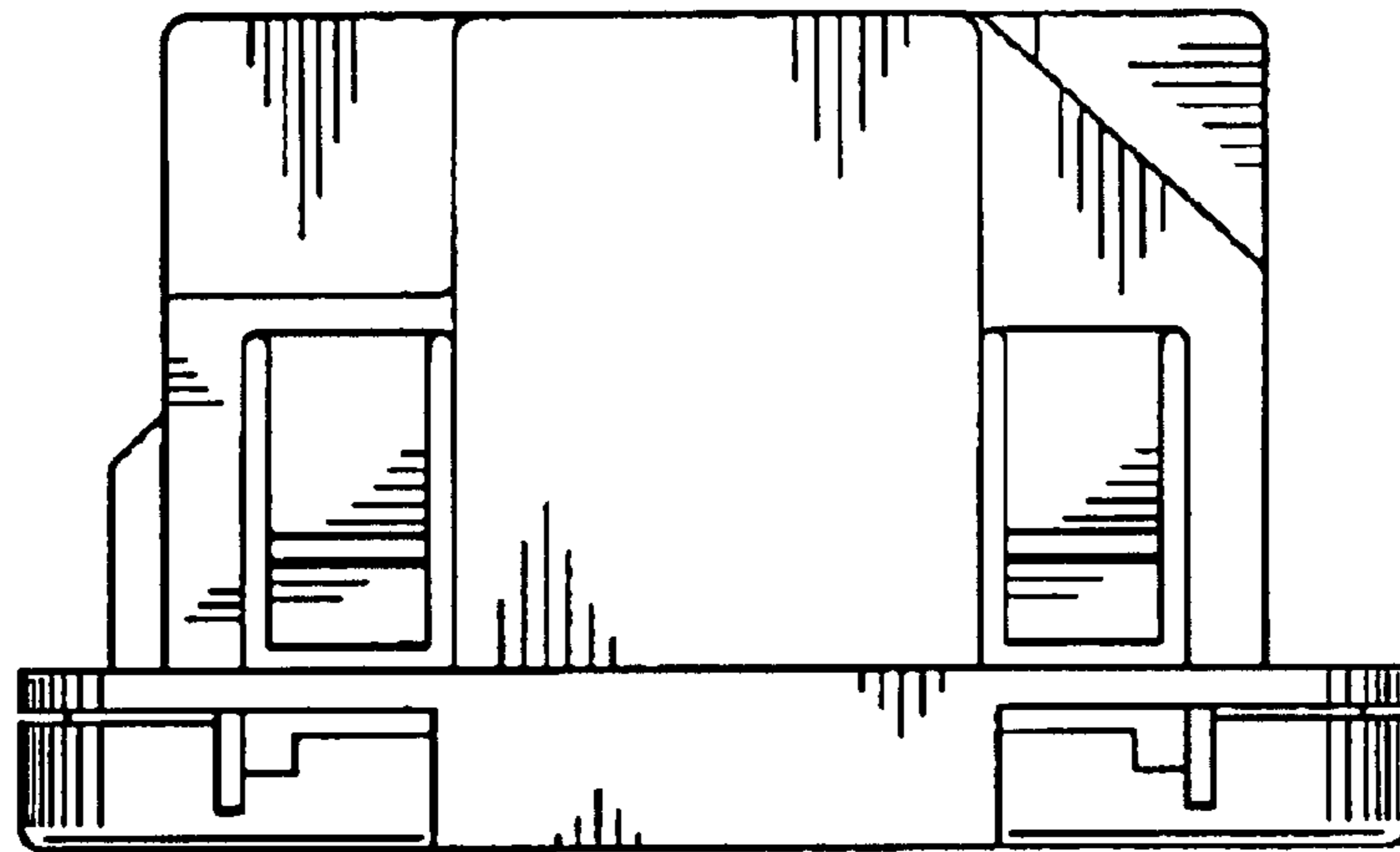


FIG. 6

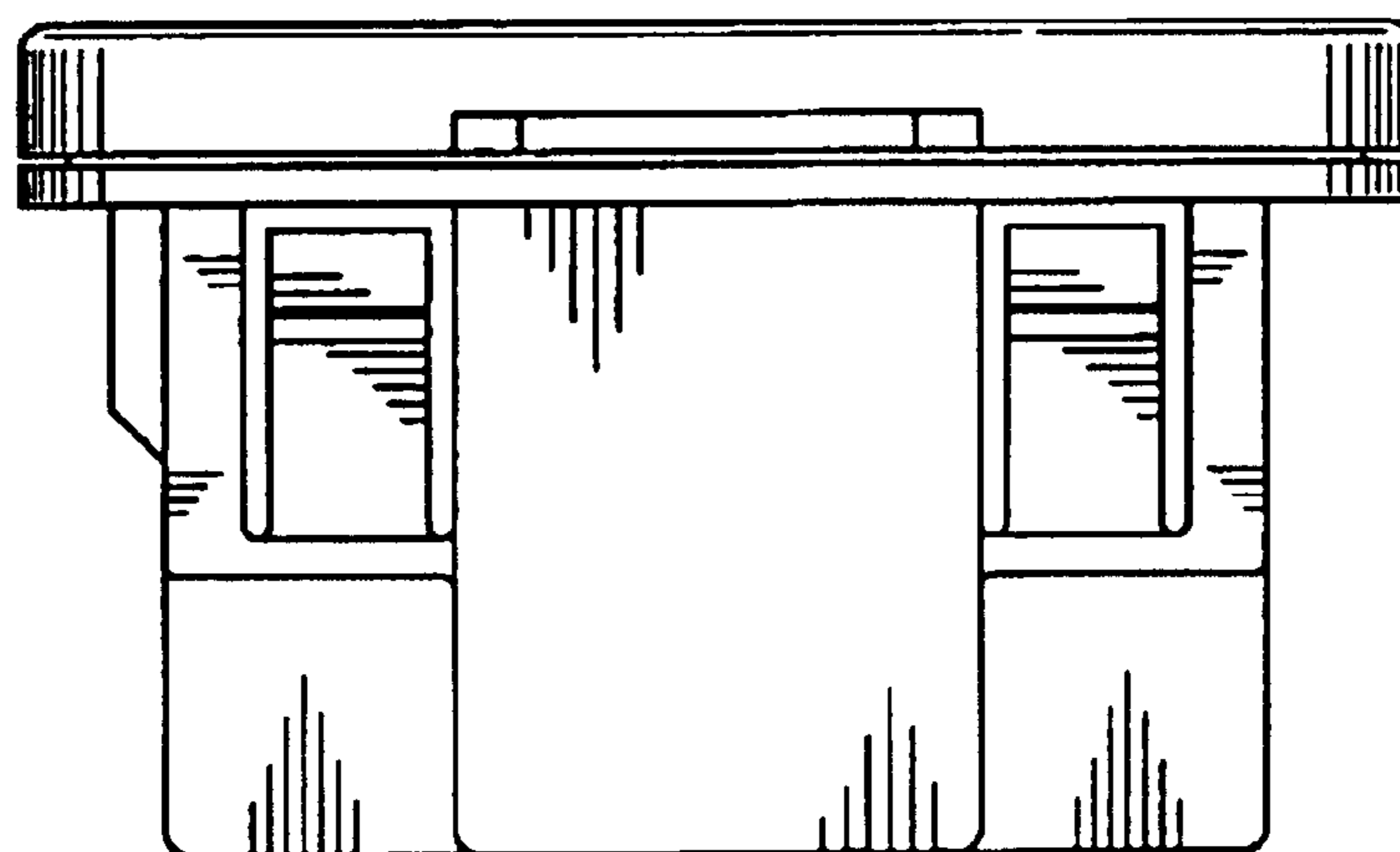


FIG. 7

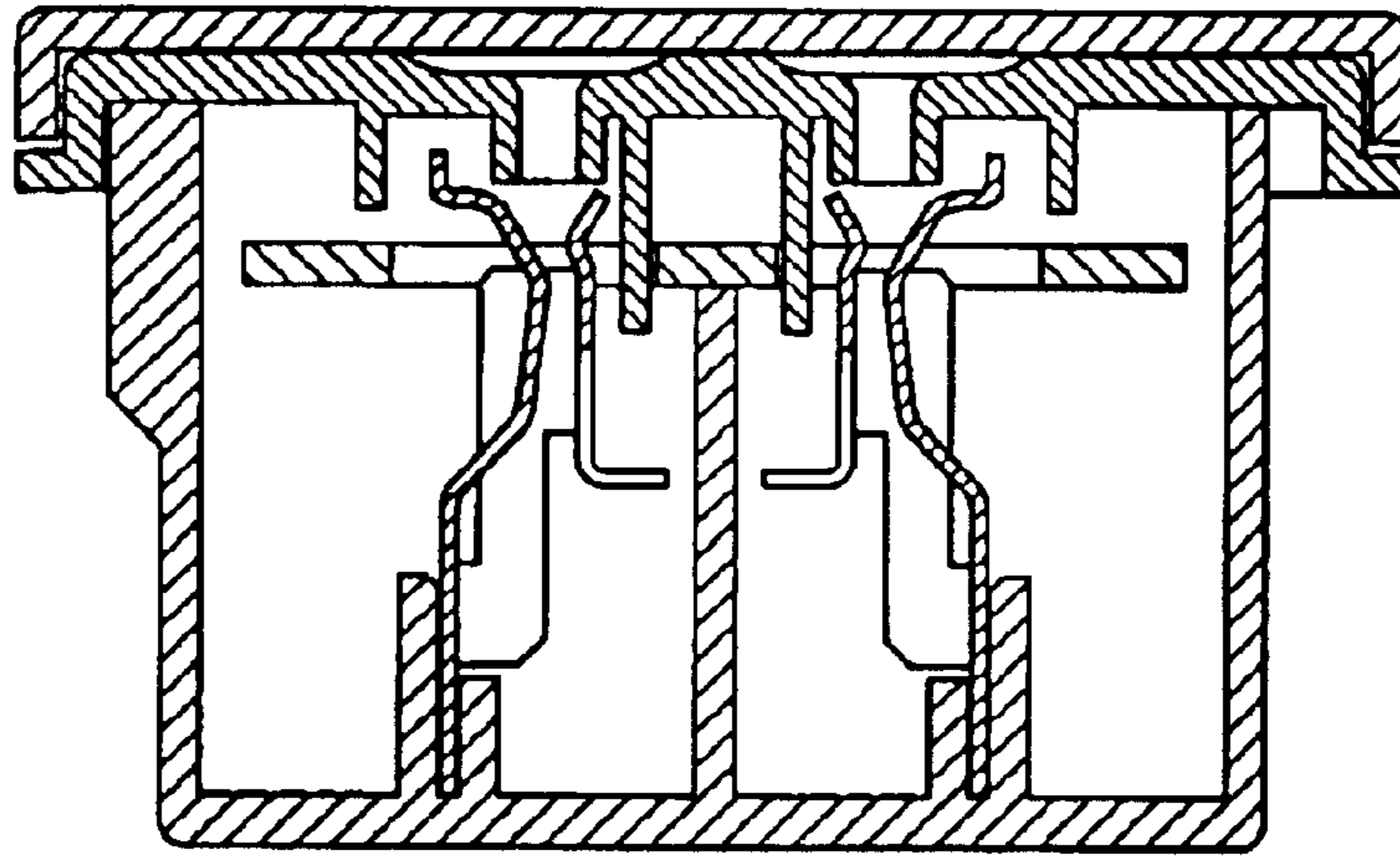


FIG. 8

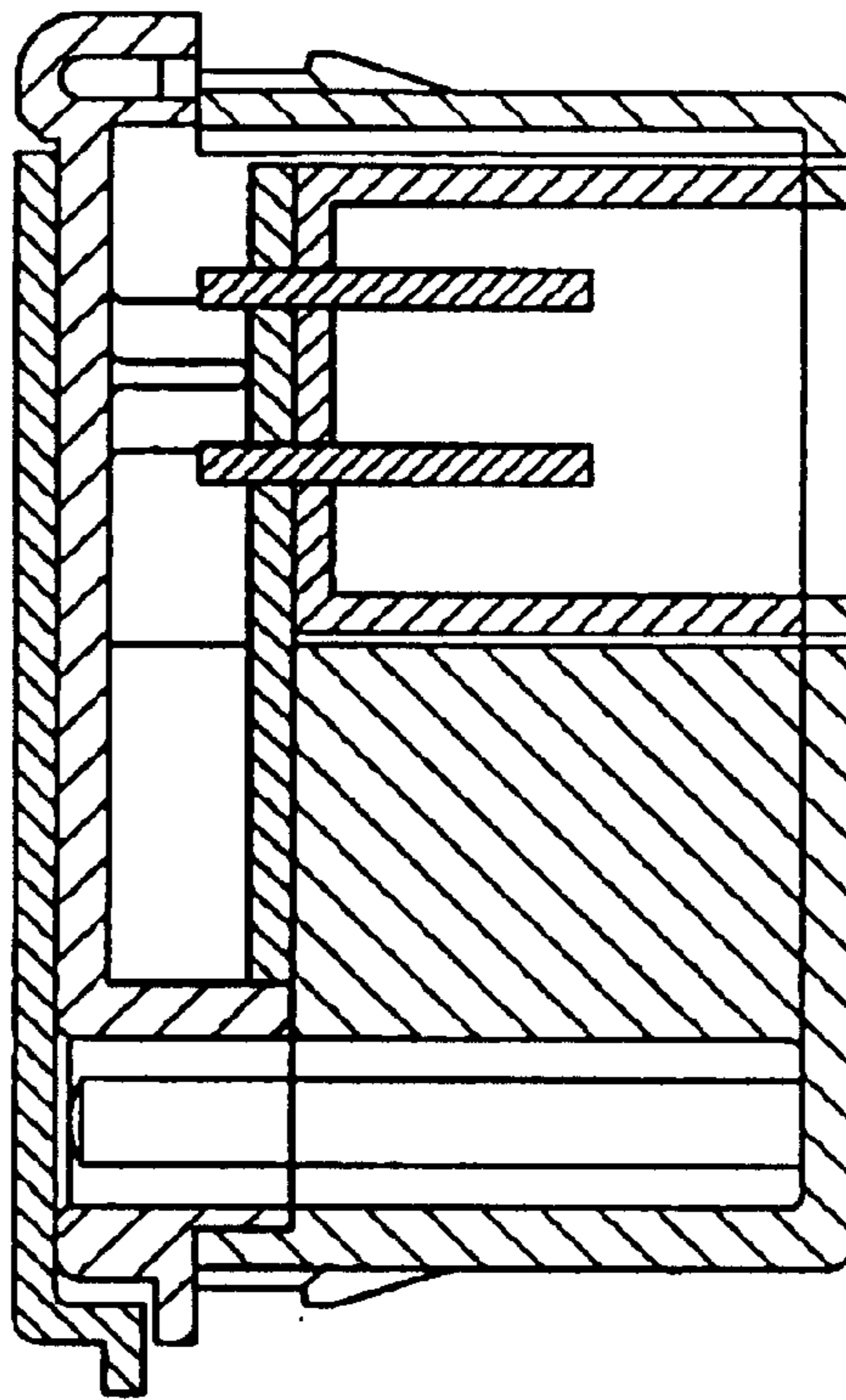


FIG. 9

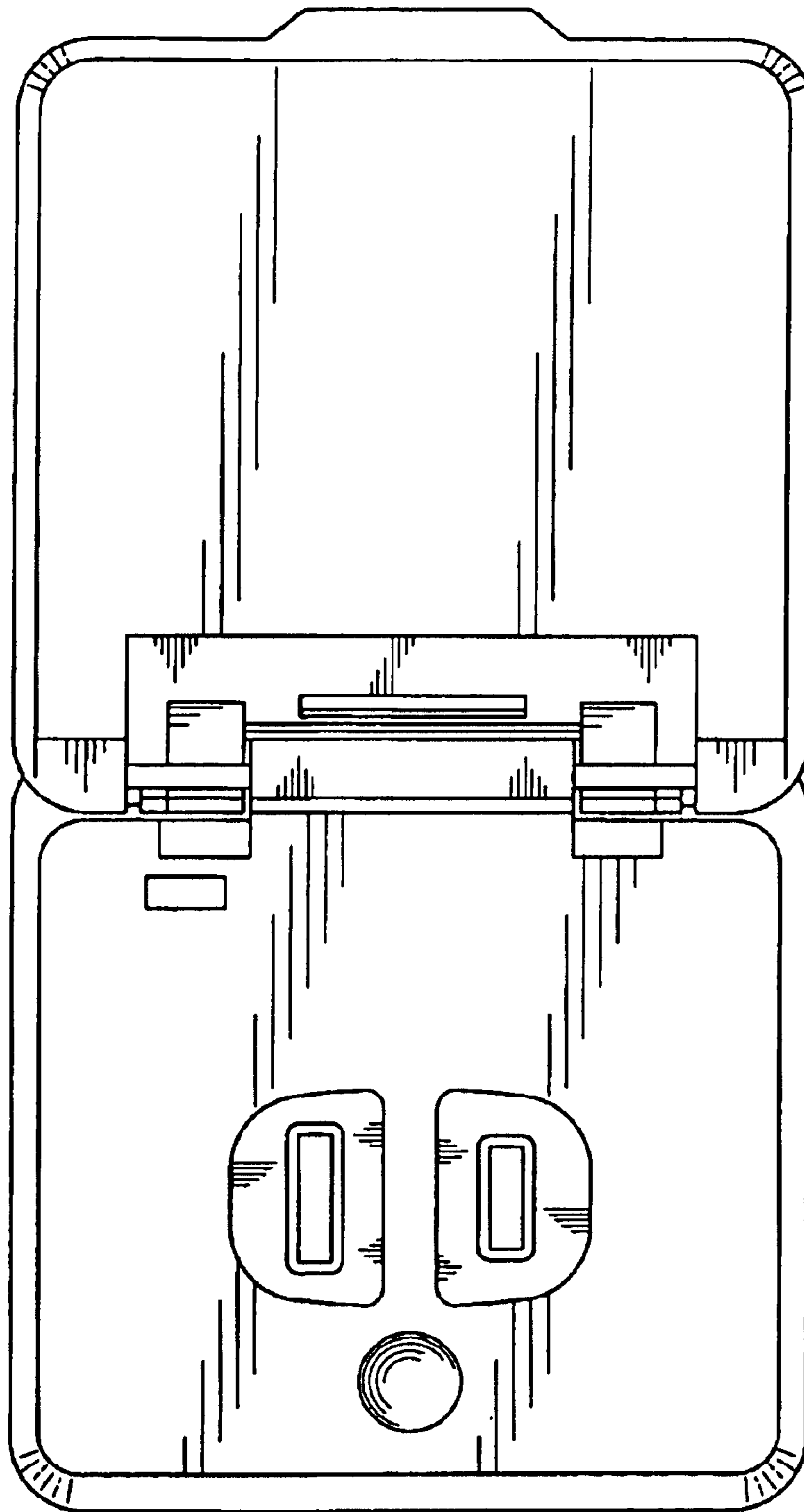


FIG. 10



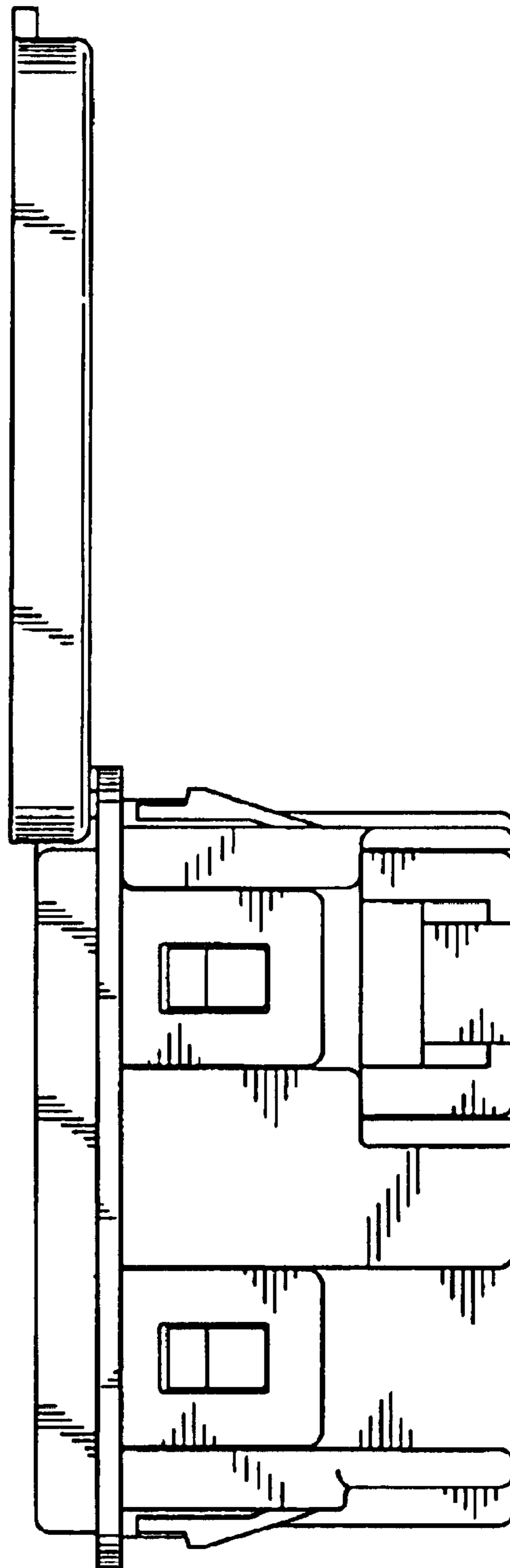


FIG. 11