



US00D508461S

(12) **United States Design Patent**  
**Hedrick**

(10) **Patent No.:** **US D508,461 S**

(45) **Date of Patent:** **\*\* Aug. 16, 2005**

- (54) **TWIN FLAT ELECTRICAL PLUG**
- (75) Inventor: **Paul Hedrick**, Alexandria, KY (US)
- (73) Assignee: **Multiway Industries LTD** (CN)
- (\*\*) Term: **14 Years**

*Primary Examiner*—Alan P. Douglas  
*Assistant Examiner*—Rosemary Tarcza  
 (74) *Attorney, Agent, or Firm*—Frost Brown Todd LLC

- (21) Appl. No.: **29/178,402**
- (22) Filed: **Mar. 25, 2003**
- (51) **LOC (8) Cl.** ..... **13-03**
- (52) **U.S. Cl.** ..... **D13/138.1**
- (58) **Field of Search** ..... D13/133, 137.1–139.8;  
439/152–160, 484, 692, 694

(57) **CLAIM**

The ornamental design for a twin flat electrical plug, as shown and described.

**DESCRIPTION**

FIG. 1 is a top plan view of the twin flat electrical plug embodying my new design.  
 FIG. 2 is a front elevational view of the twin flat electrical plug illustrated in FIG. 1.  
 FIG. 3 is a rear elevational view of the twin flat electrical plug illustrated in FIG. 1.  
 FIG. 4 is a bottom view of the twin flat electrical plug illustrated in FIG. 1.  
 FIG. 5 is a left side elevational view of the twin flat electrical plug illustrated in FIG. 1.  
 FIG. 6 is a right side elevational view of the twin flat electrical plug illustrated in FIG. 1; and,  
 FIG. 7 is a frontal perspective of the twin flat electrical plug illustrated in FIG. 1.  
 The broken lines in the drawings are for illustrative purposes only and form no part of the claimed design.

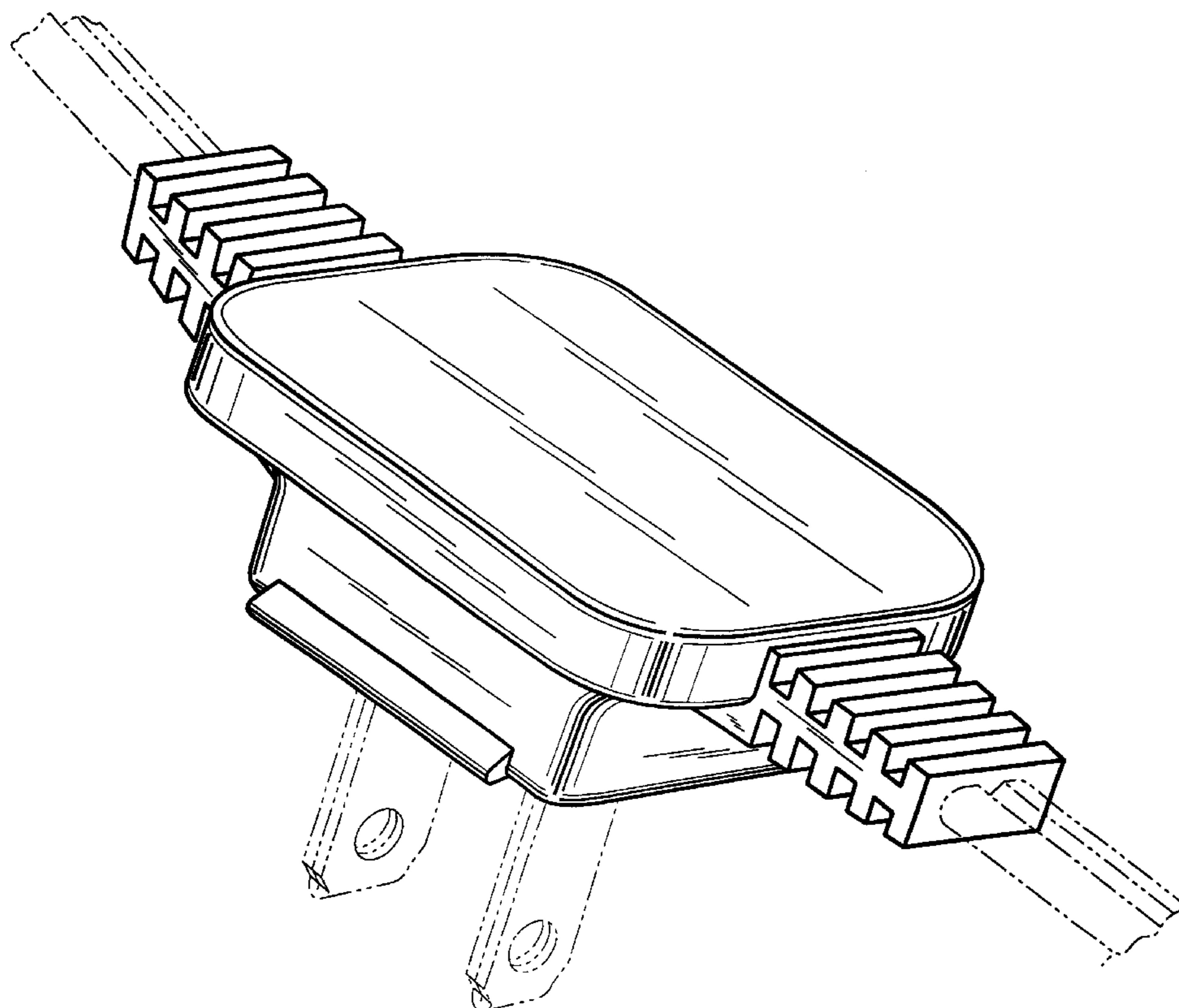
(56) **References Cited**

**U.S. PATENT DOCUMENTS**

4,857,013 A *	8/1989	Peters	.....	439/484
D307,579 S *	5/1990	Layne et al.	.....	D13/137.3
D324,670 S *	3/1992	Ferraro	.....	D13/137.4
D367,261 S *	2/1996	Hansen	.....	D13/138.1
D379,964 S *	6/1997	Maddock et al.	.....	D13/138.1
D402,962 S *	12/1998	Hedrick	.....	D13/138.2
D408,354 S *	4/1999	Whitcomb	.....	D13/137.4
5,915,997 A *	6/1999	Lan-Jen	.....	439/694
D488,159 S *	4/2004	Chung	.....	D14/433

\* cited by examiner

**1 Claim, 4 Drawing Sheets**



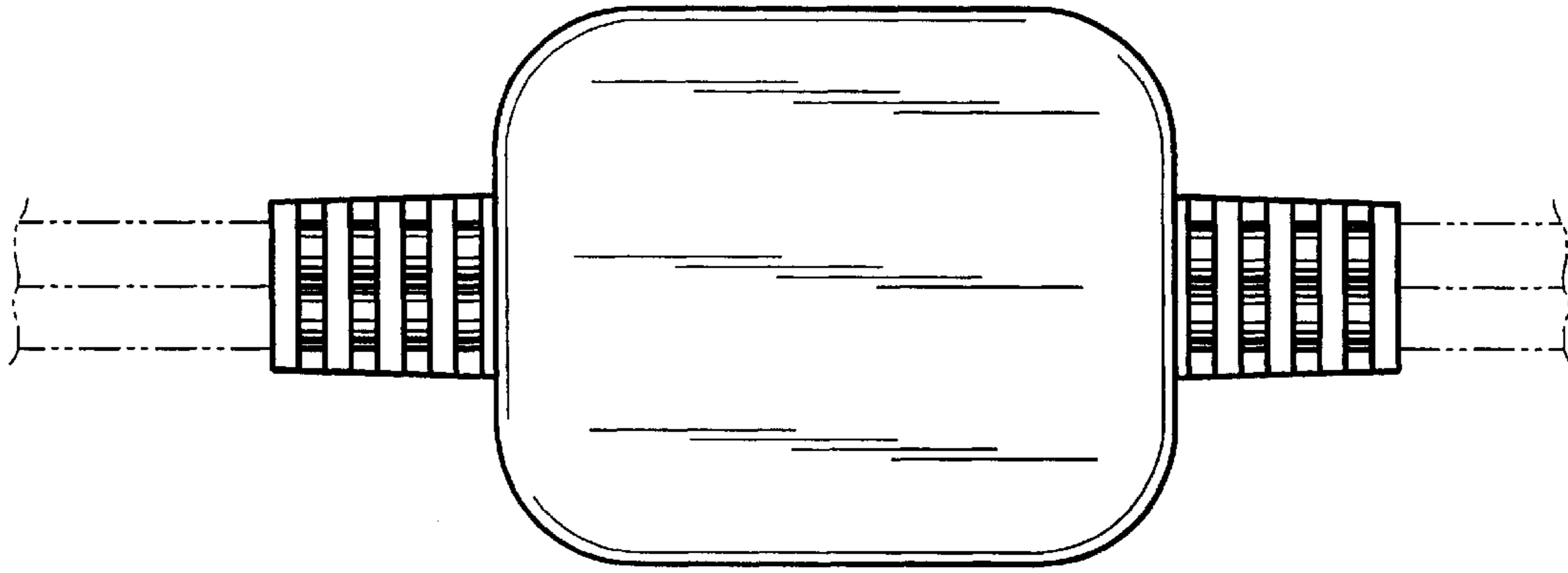


FIG. 1

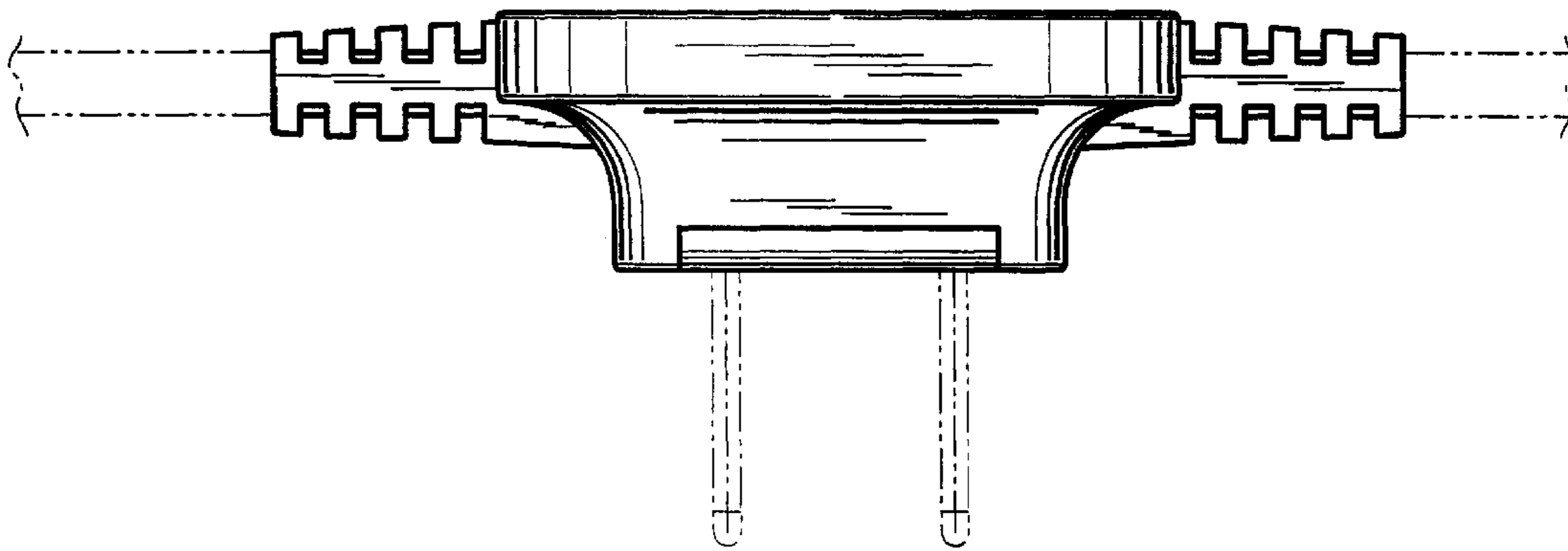


FIG. 2

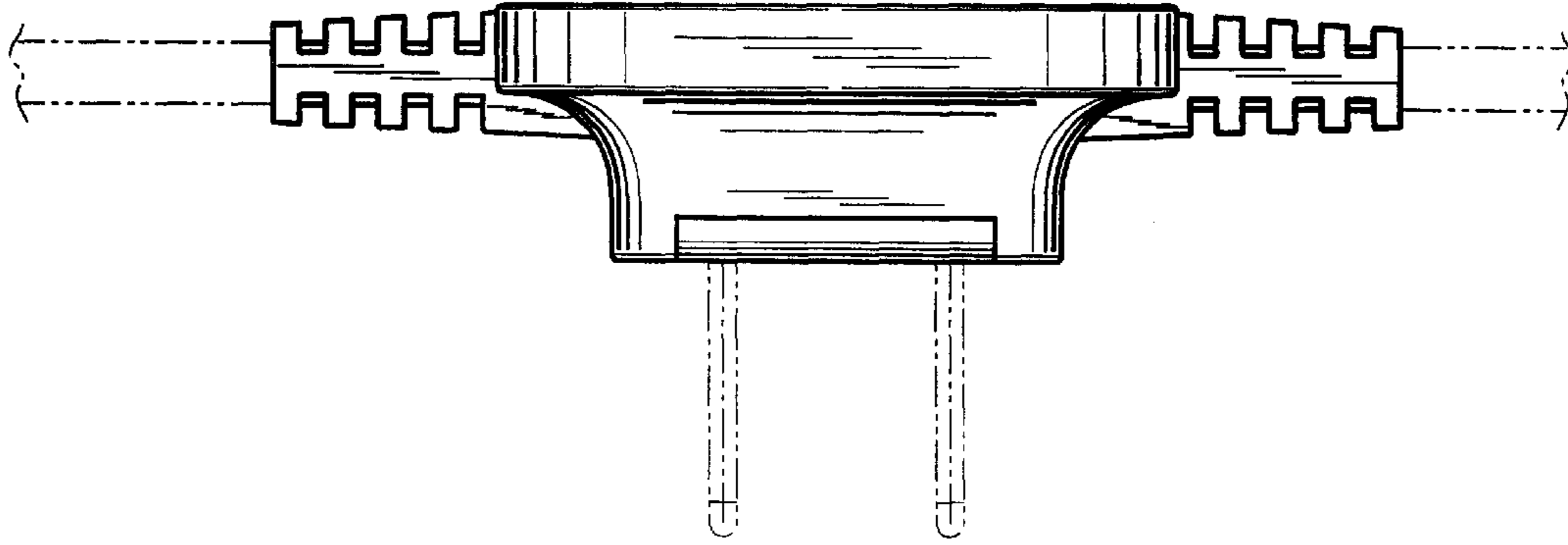


FIG. 3

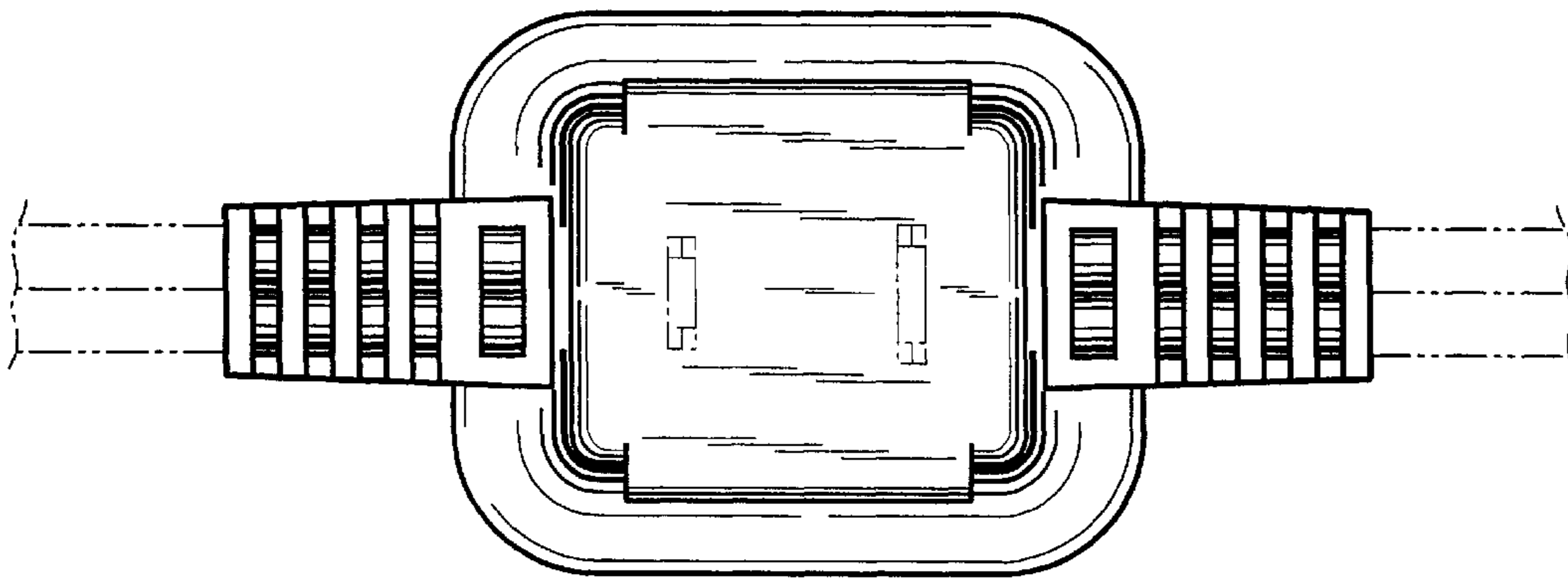
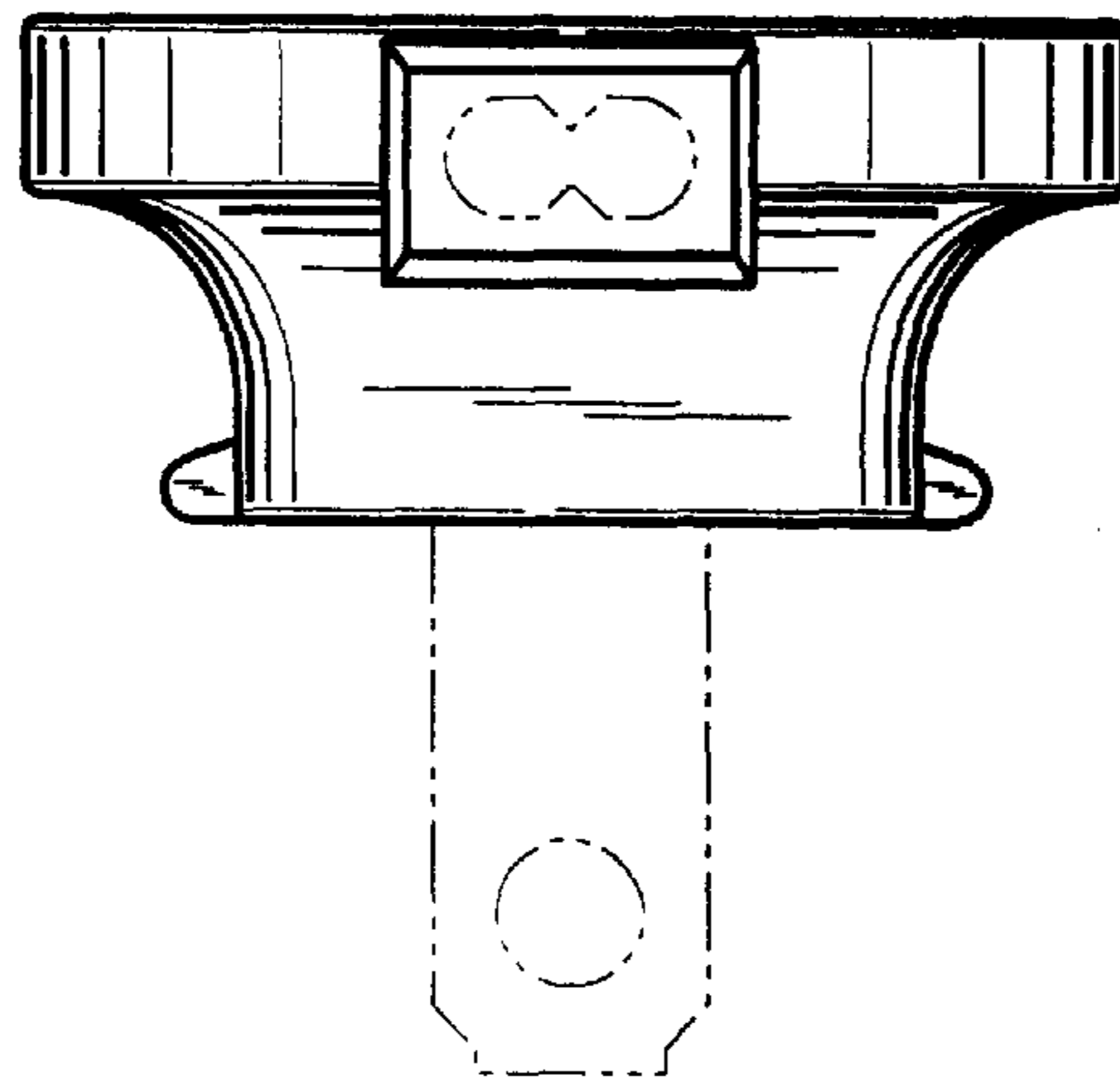
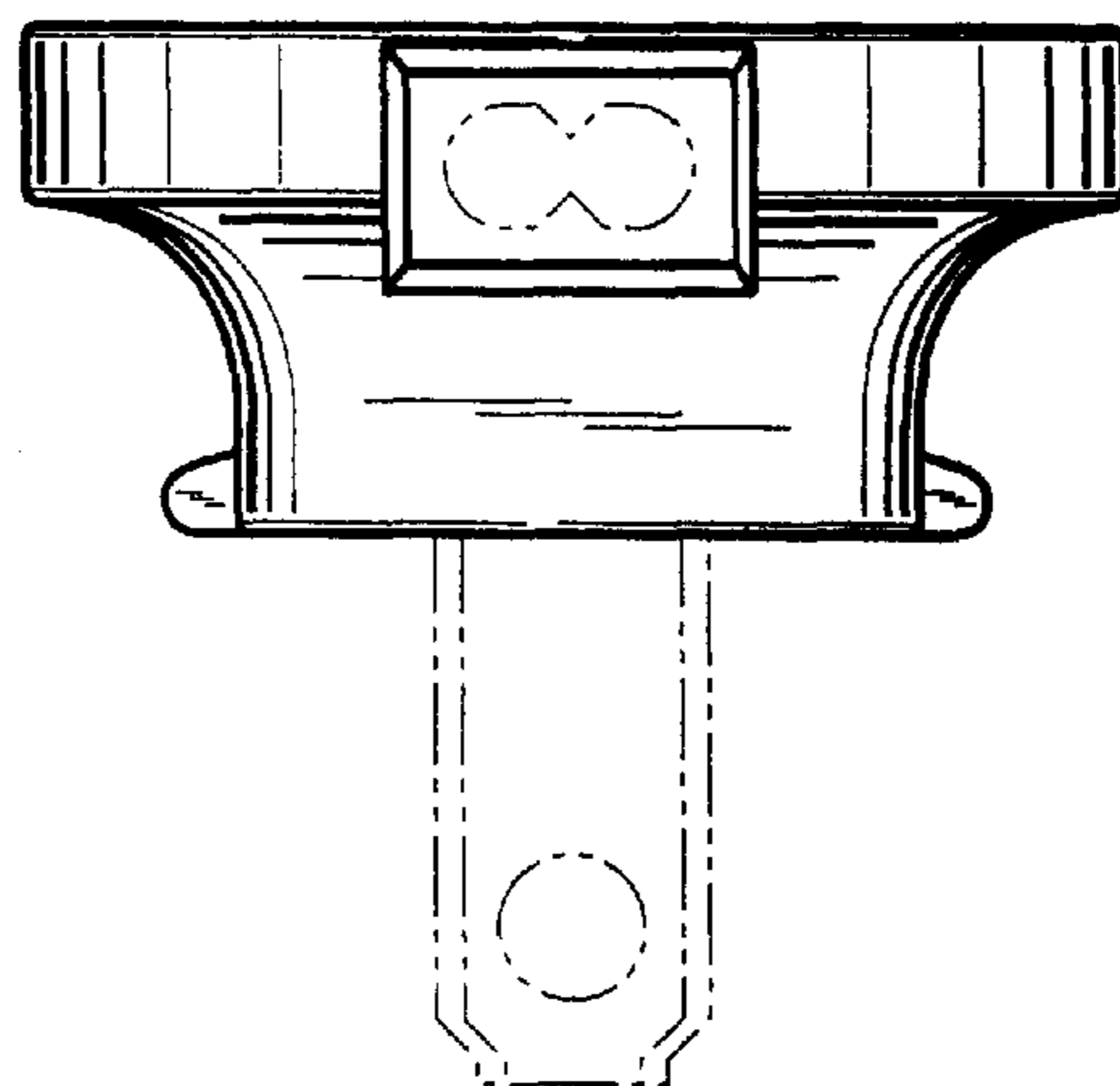


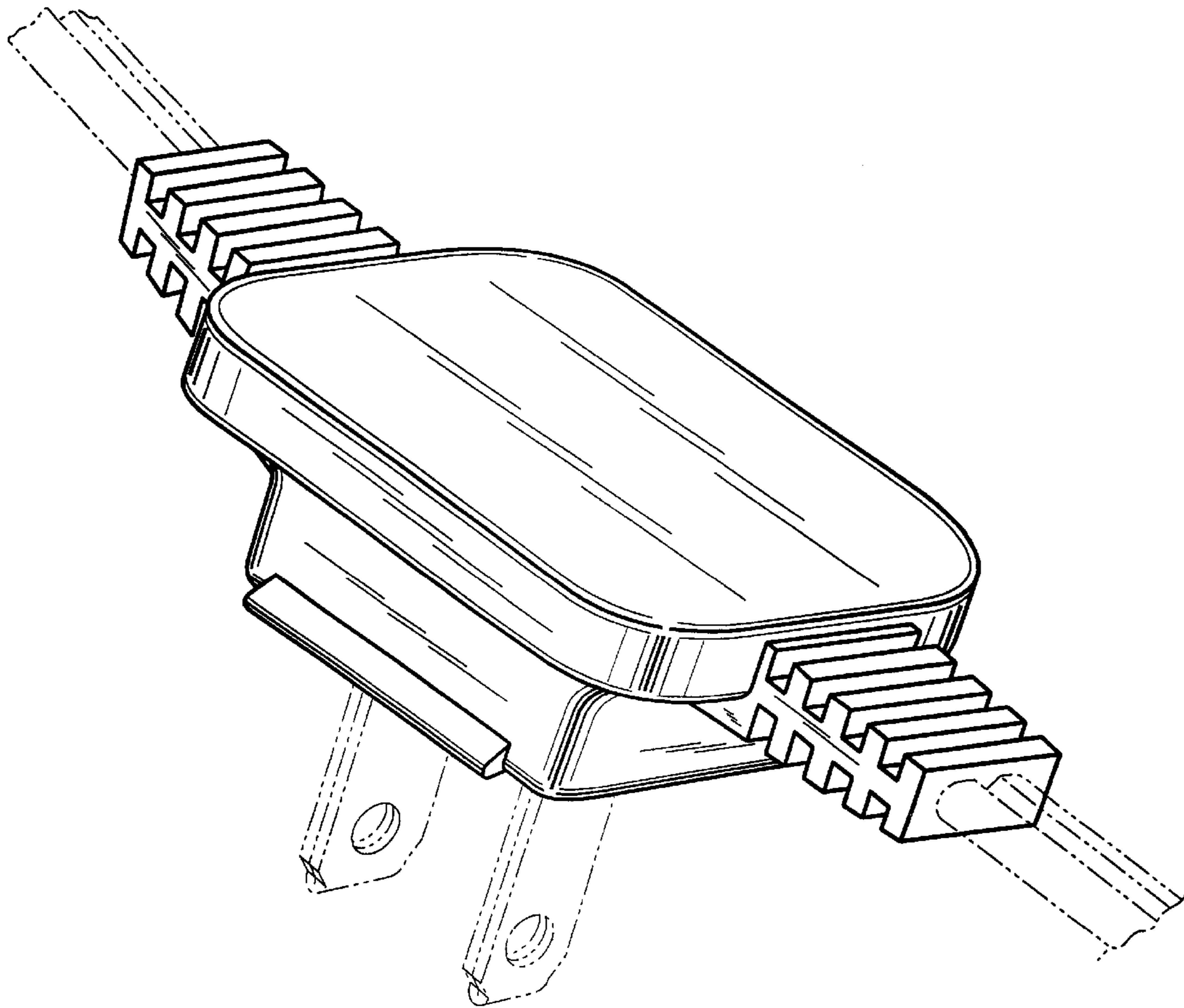
FIG. 4



— FIG. 5



— FIG. 6



—FIG. 7