



US00D508458S

(12) **United States Design Patent** (10) **Patent No.:** **US D508,458 S**  
**Solland et al.** (45) **Date of Patent:** **\*\* Aug. 16, 2005**

(54) **AUDIO AND CHARGING STATION FOR A HANDHELD ELECTRONIC DEVICE**

*Primary Examiner*—Alan P. Douglas  
*Assistant Examiner*—Rosemary Tarcza

(75) Inventors: **Kurt Solland**, Westlake Village, CA (US); **Robert Tang**, San Gabriel, CA (US)

(74) *Attorney, Agent, or Firm*—Plumsea Law Group, LLC

(73) Assignee: **Harman International Industries, Incorporated**, Northridge, CA (US)

(57) **CLAIM**

The ornamental design for an audio and charging station for a handheld electronic device, as shown and described.

(\*\*) Term: **14 Years**

**DESCRIPTION**

(21) Appl. No.: **29/208,118**

(22) Filed: **Jun. 25, 2004**

(51) **LOC (8) Cl.** ..... **13-02**

(52) **U.S. Cl.** ..... **D13/108**

(58) **Field of Search** ..... D13/107–110,  
D13/118–119, 184; D14/251, 253; D16/219,  
237, 242; 320/107–115

FIG. 1 is a perspective view of an audio and charging station for a handheld electronic device showing our new design; FIG. 2 is a front elevational view thereof; FIG. 3 is a rear elevational view thereof; FIG. 4 is a side elevational view thereof, the opposite side elevational view being a mirror image; FIG. 5 is a top plan view thereof; FIG. 6 is a bottom plan view thereof; FIG. 7 is a cross-sectional view taken along line 7—7 in FIG. 5; FIG. 8 is a perspective view illustrating the positioning of a handheld electronic device; FIG. 9 is a front elevational view illustrating the positioning of a handheld electronic device; and, FIG. 10 is a side elevational view illustrating the positioning of a handheld electronic device. FIG. 7 illustrates the external contours, and the internal surfaces are not shaded and form no part of the claimed invention. The broken line showings of the lines and ports in FIGS. 3–5 and 10, and the handheld electronic device in FIGS. 8–10 are for illustrative purposes only and form no part of the claimed invention.

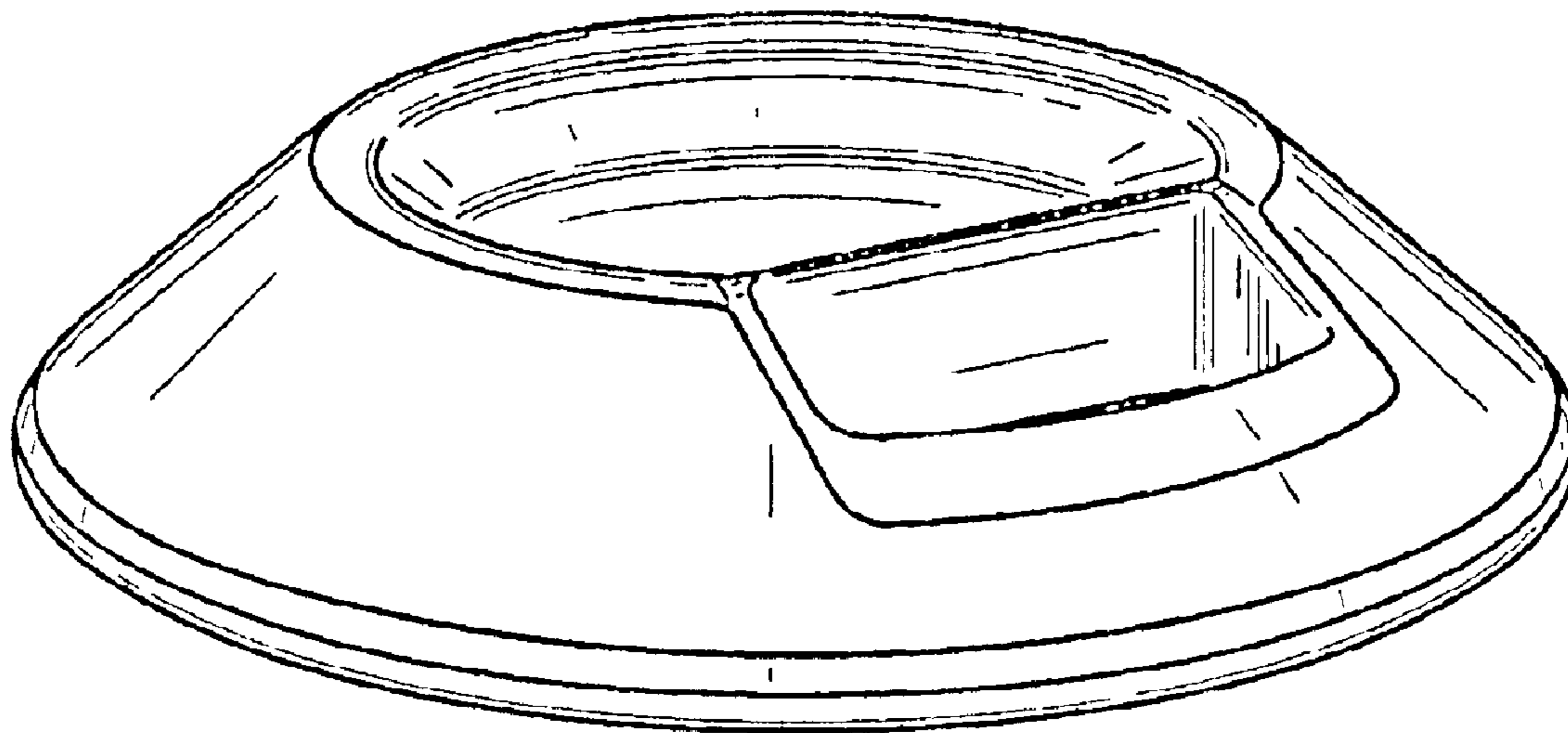
(56) **References Cited**

**U.S. PATENT DOCUMENTS**

D221,081 S	*	7/1971	Kahn	.....	D13/110
D244,550 S		5/1977	Zuroski		
D300,678 S	*	4/1989	Barrault	.....	D32/73
D358,364 S	*	5/1995	Siddoway	.....	D13/108
D359,052 S	*	6/1995	Nagele et al.	.....	D14/253
D361,979 S	*	9/1995	Shirakawa et al.	.....	D13/108
D430,142 S		8/2000	Kuo et al.		
D459,299 S	*	6/2002	Hughes et al.	.....	D13/108
D467,241 S		12/2002	Solland		
D467,539 S	*	12/2002	Kataoka	.....	D13/108
D468,305 S	*	1/2003	Ma et al.	.....	D14/253
D471,578 S	*	3/2003	Okuley	.....	D16/242
D478,884 S	*	8/2003	Slipy et al.	.....	D14/149
D480,376 S	*	10/2003	Ma	.....	D14/149

\* cited by examiner

**1 Claim, 5 Drawing Sheets**



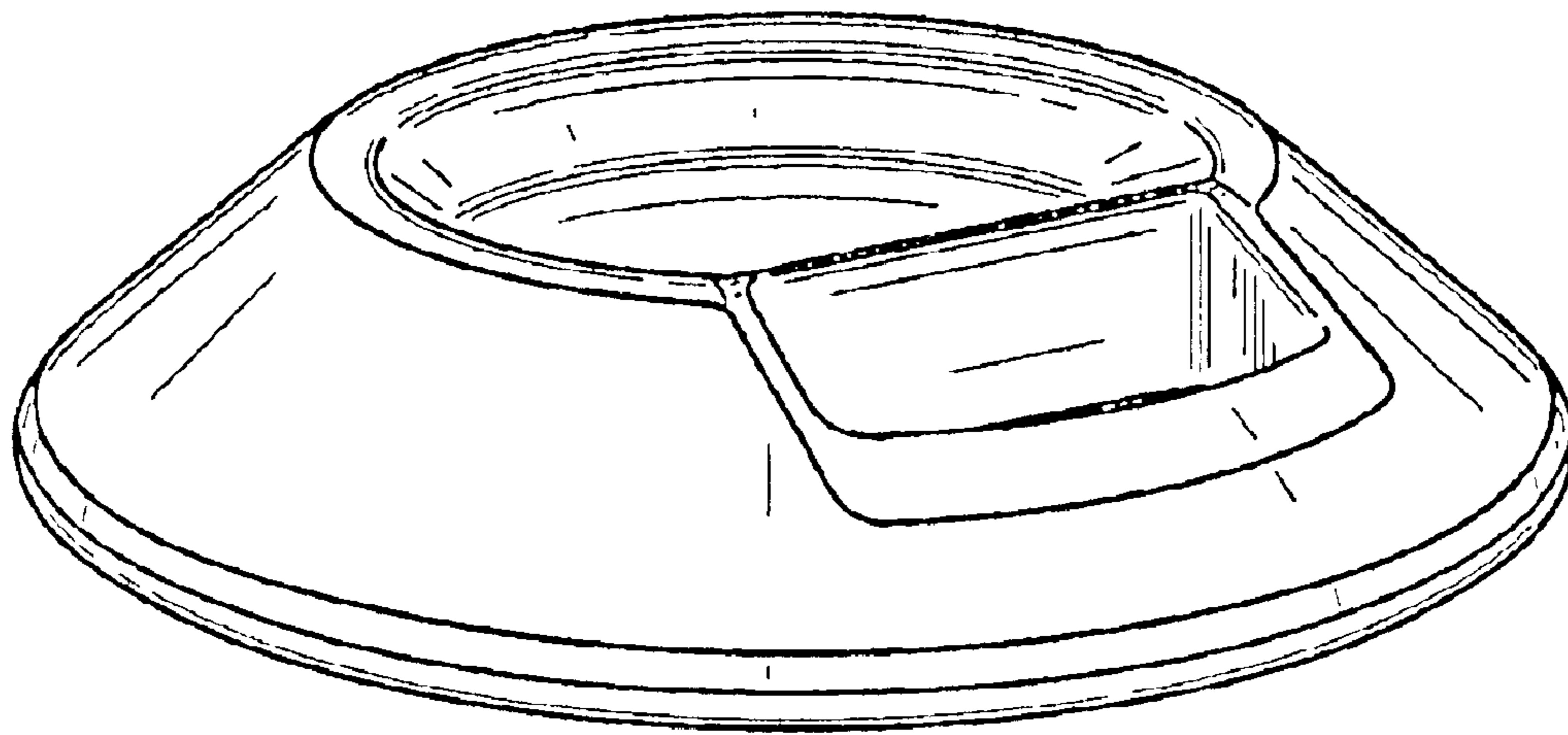


FIG. 1

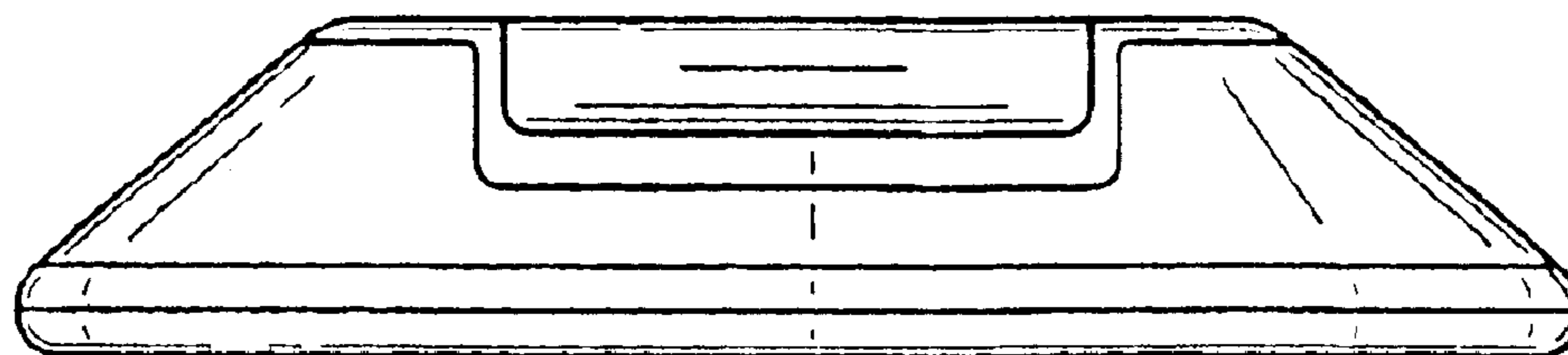


FIG. 2

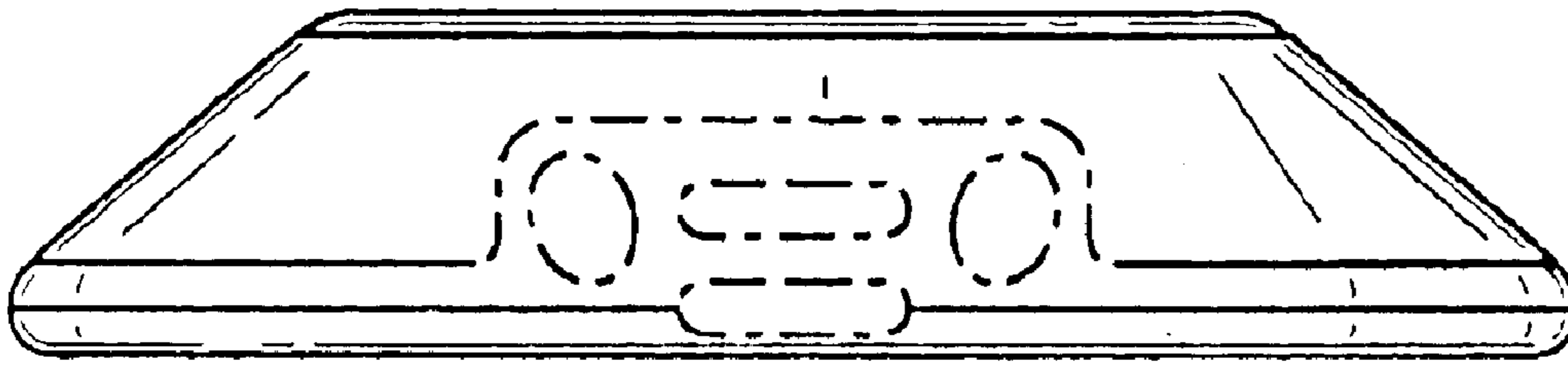


FIG. 3

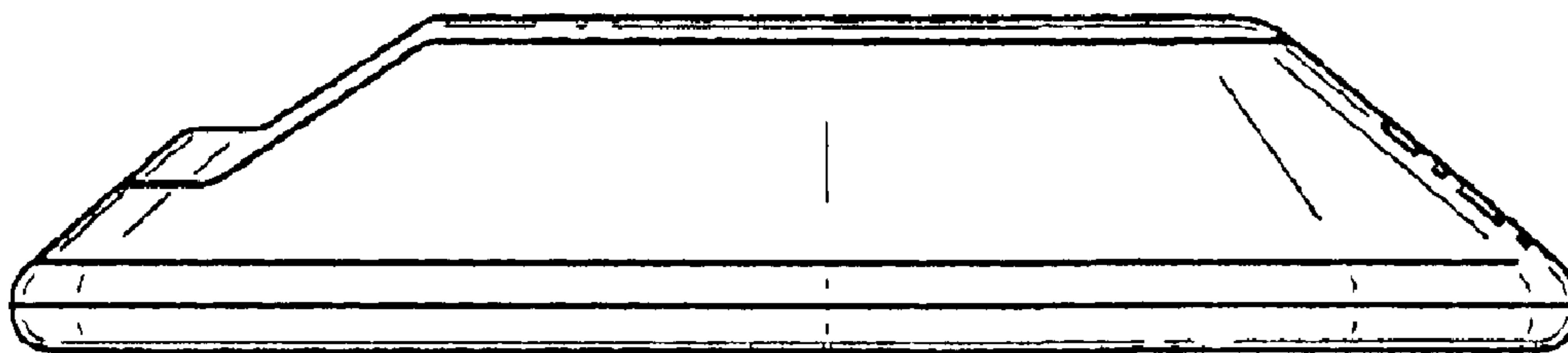


FIG. 4

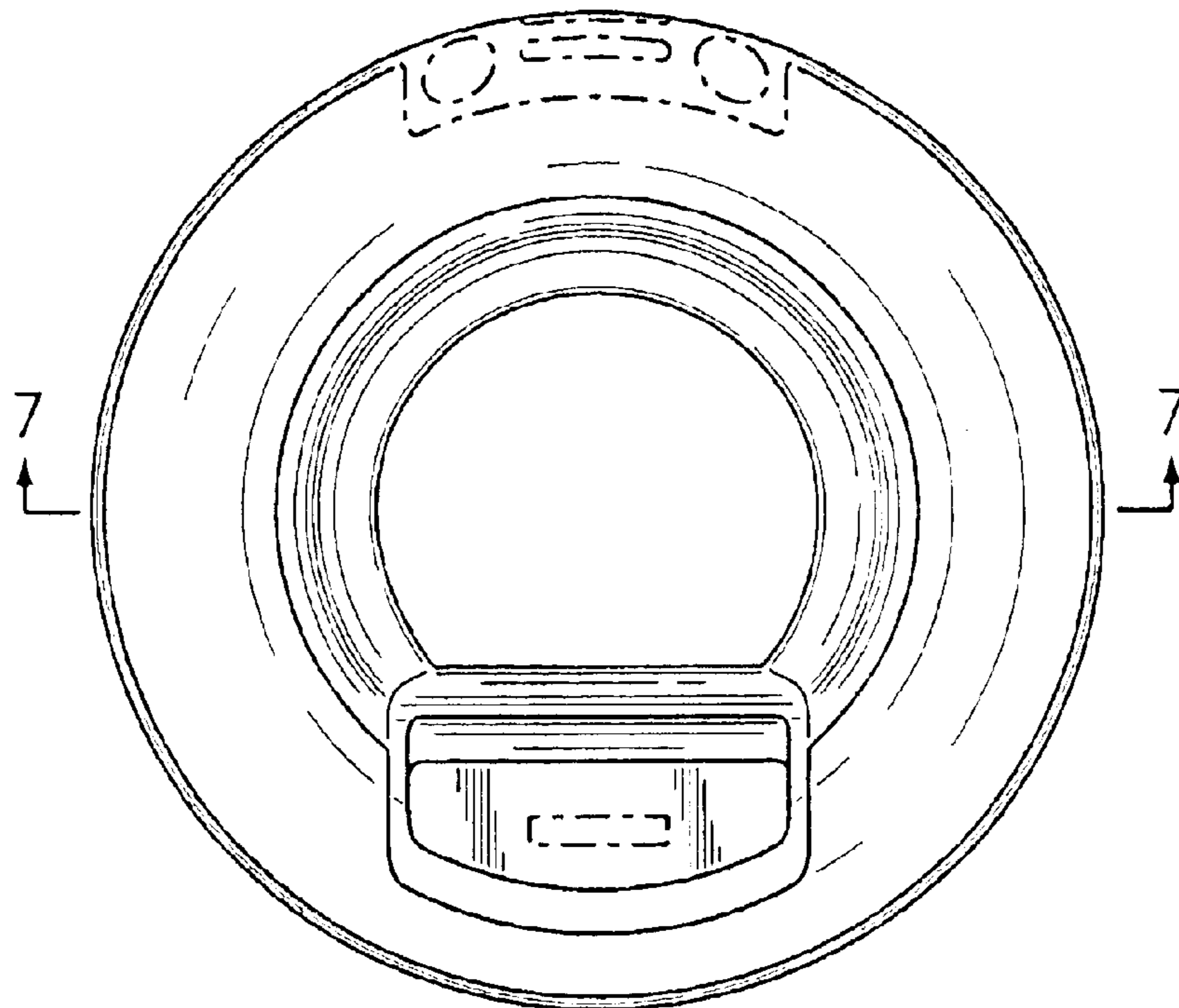


FIG. 5

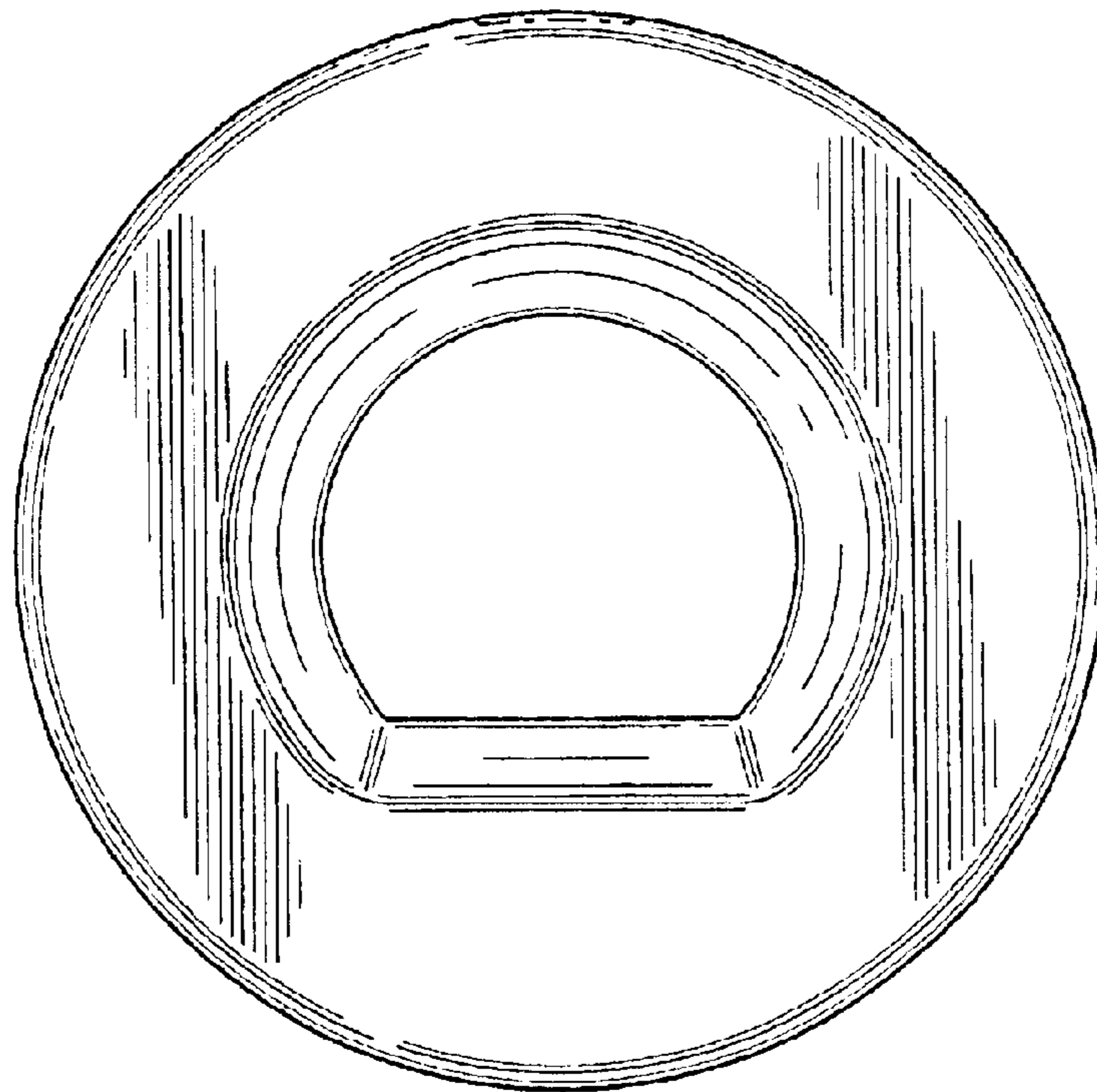


FIG. 6

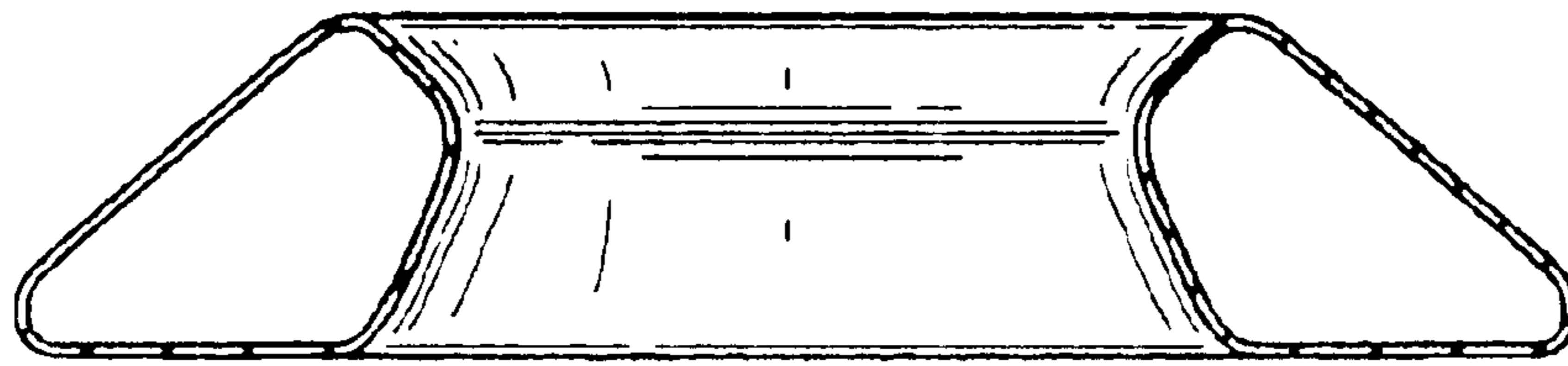


FIG. 7

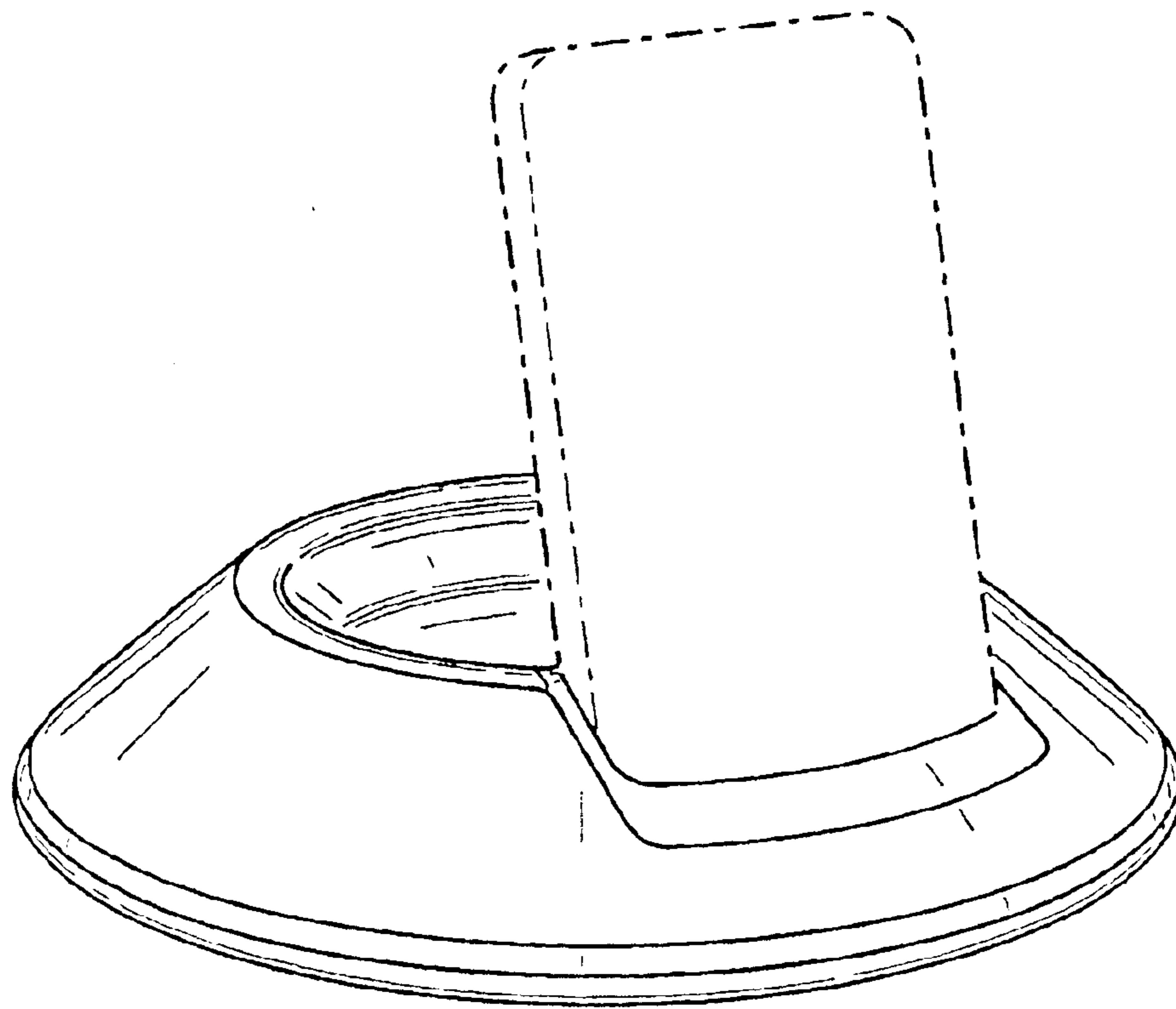


FIG. 8

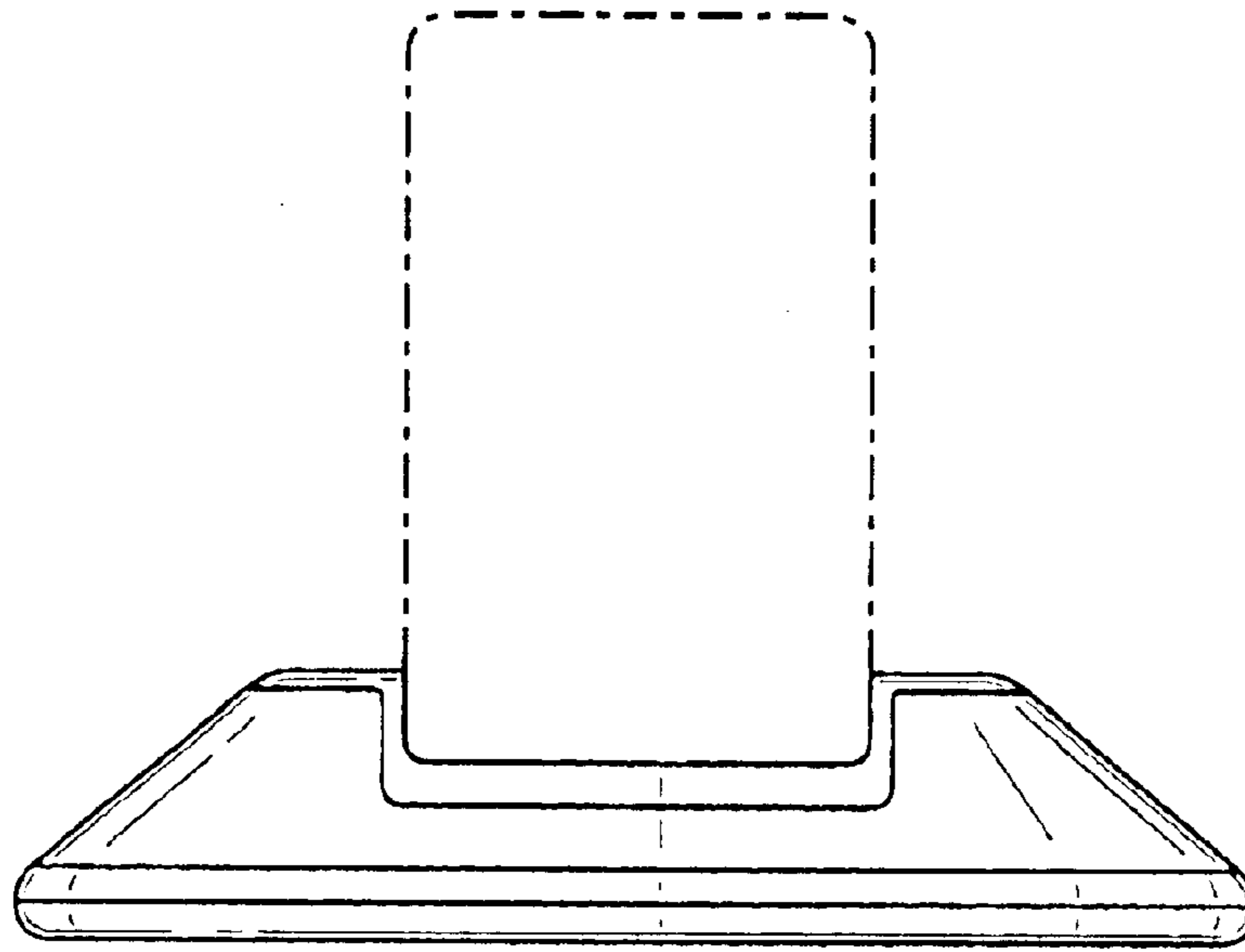


FIG. 9

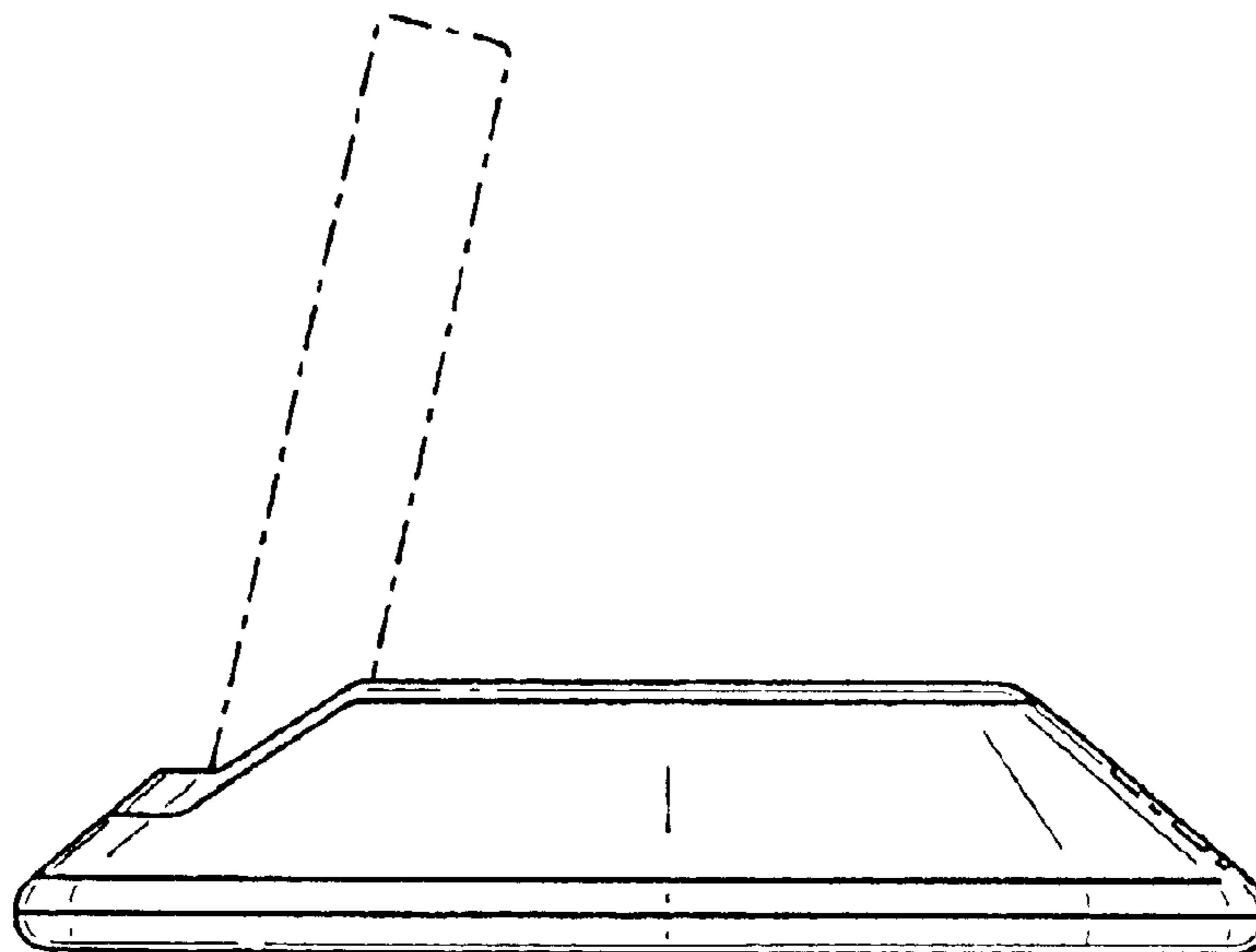


FIG. 10